



US00D577874S

(12) **United States Design Patent**
Mayer et al.

(10) **Patent No.:** **US D577,874 S**
(45) **Date of Patent:** **** Sep. 30, 2008**

(54) **CART POST**

(75) Inventors: **Theresa M. Mayer**, Sheboygan, WI
(US); **Alan J. Schommer**, Fredonia, WI
(US); **James E. Redlich**, Howards
Grove, WI (US)

(73) Assignee: **The Vollrath Company, L.L.C.**,
Sheboygan, WI (US)

(**) Term: **14 Years**

(21) Appl. No.: **29/258,117**

(22) Filed: **Apr. 17, 2006**

(51) **LOC (8) Cl.** **12-02**

(52) **U.S. Cl.** **D34/27**

(58) **Field of Classification Search** D34/12-27;
D25/122, 119, 124, 126; 280/33.995, 33.993,
280/33.992

See application file for complete search history.

(56) **References Cited**

U.S. PATENT DOCUMENTS

- D273,242 S 3/1984 Maza et al.
- D275,044 S 8/1984 Hampshire et al.
- 4,705,247 A 11/1987 Delmerico
- D295,098 S 4/1988 Delmerico
- D302,064 S 7/1989 Delmerico
- D303,307 S 9/1989 Juergens
- D309,813 S 8/1990 Gingras
- D311,621 S 10/1990 Fuller
- D312,524 S 11/1990 Juergens
- D321,966 S 11/1991 Fuller
- D330,103 S 10/1992 Andrews, Jr. et al.
- D337,409 S 7/1993 Maple et al.
- D344,382 S 2/1994 Conaway et al.
- D352,584 S 11/1994 Boyd
- D352,722 S 11/1994 Mandell et al.
- 5,395,163 A 3/1995 Mandell et al.
- D360,725 S 7/1995 Snell
- D361,186 S 8/1995 Kowalski
- D361,187 S 8/1995 Snell
- D361,188 S 8/1995 Perelli

- D361,419 S 8/1995 Snell
- D361,643 S 8/1995 Snell
- 5,480,180 A 1/1996 Fuller et al.
- D370,326 S 5/1996 Chapman et al.
- D373,748 S 9/1996 Fuller et al.
- D379,705 S 6/1997 Delmerico et al.
- D381,168 S 7/1997 Delmerico et al.
- 5,695,205 A * 12/1997 Liu 280/79.2
- D391,032 S 2/1998 Delmerico
- D398,128 S 9/1998 Laivins et al.

(Continued)

OTHER PUBLICATIONS

www.dahlstromrollform.com, catalog p. 85, Item 1700, Mar. 2003
revision.*

(Continued)

Primary Examiner—Cynthia E Ramirez
(74) *Attorney, Agent, or Firm*—Rathe Patent & IP Law

(57) **CLAIM**

We claim the ornamental design for a cart post, as shown and
described.

DESCRIPTION

FIG. 1 is an illustrative perspective view of the post showing
our claimed design;

FIG. 2 is a top perspective view of the cart post of FIG. 1;

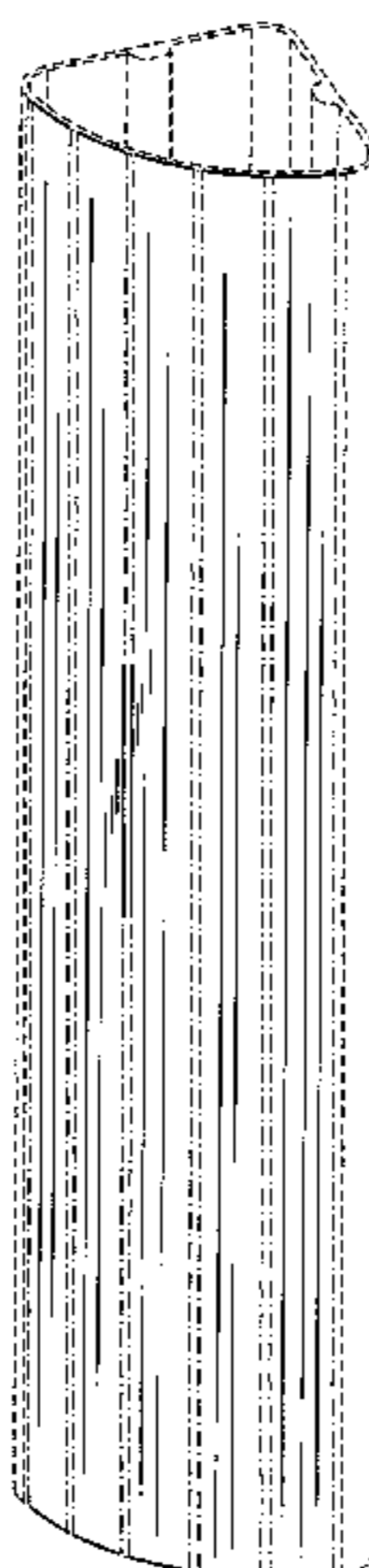
FIG. 3 is a left side elevational view thereof;

FIG. 4 is a right side elevational view thereof; and,

FIG. 5 is a top plan view thereof, the bottom plan view being
a mirror image of the top plan view shown.

The dash dot broken lines in the drawings represent the
boundaries of the claimed design and form no part thereof.
The uniform dash broken lines in the drawings are environ-
mental lines and form no part of the claimed design.

1 Claim, 3 Drawing Sheets



US D577,874 S

Page 2

U.S. PATENT DOCUMENTS

D400,825 S	11/1998	Laivins et al.	D493,019 S *	7/2004	Lovegrove et al.	D34/17
D400,846 S	11/1998	Laivins et al.	D515,767 S	2/2006	Arceta	
D408,953 S	4/1999	Golichowski et al.	2003/0107195 A1	6/2003	Zambanini et al.	
D415,867 S	10/1999	Perelli	2004/0056439 A1	3/2004	Arceta et al.	
D427,404 S *	6/2000	Glass D34/21	2004/0066012 A1 *	4/2004	Choi et al.	280/47.35
D440,369 S	4/2001	LaFollette, Jr. et al.	2004/0227315 A1	11/2004	Van LANDINGHAM, Jr.	
6,497,423 B1	12/2002	Perelli et al.	2004/0262867 A1	12/2004	Arceta et al.	
D471,688 S	3/2003	Van LANDINGHAM, Jr. et al.	2005/0023786 A1	2/2005	Delmerico	
D474,570 S	5/2003	Presnell et al.	2005/0046133 A1 *	3/2005	Braucke et al.	280/47.35
D478,199 S	8/2003	Presnell et al.	2005/0159784 A1	7/2005	Arceta	
D484,295 S	12/2003	Arceta	2005/0284697 A1	12/2005	Perelli et al.	
D485,037 S	1/2004	Presnell et al.				
D485,410 S	1/2004	Van LANDINGHAM, Jr.				
D487,604 S	3/2004	Van LANDINGHAM, Jr.				
D490,200 S	5/2004	Arceta				

OTHER PUBLICATIONS

www.dahlstromrollform.com, catalog p. 103, Item X8618, Mar. 2003 revision.*

* cited by examiner

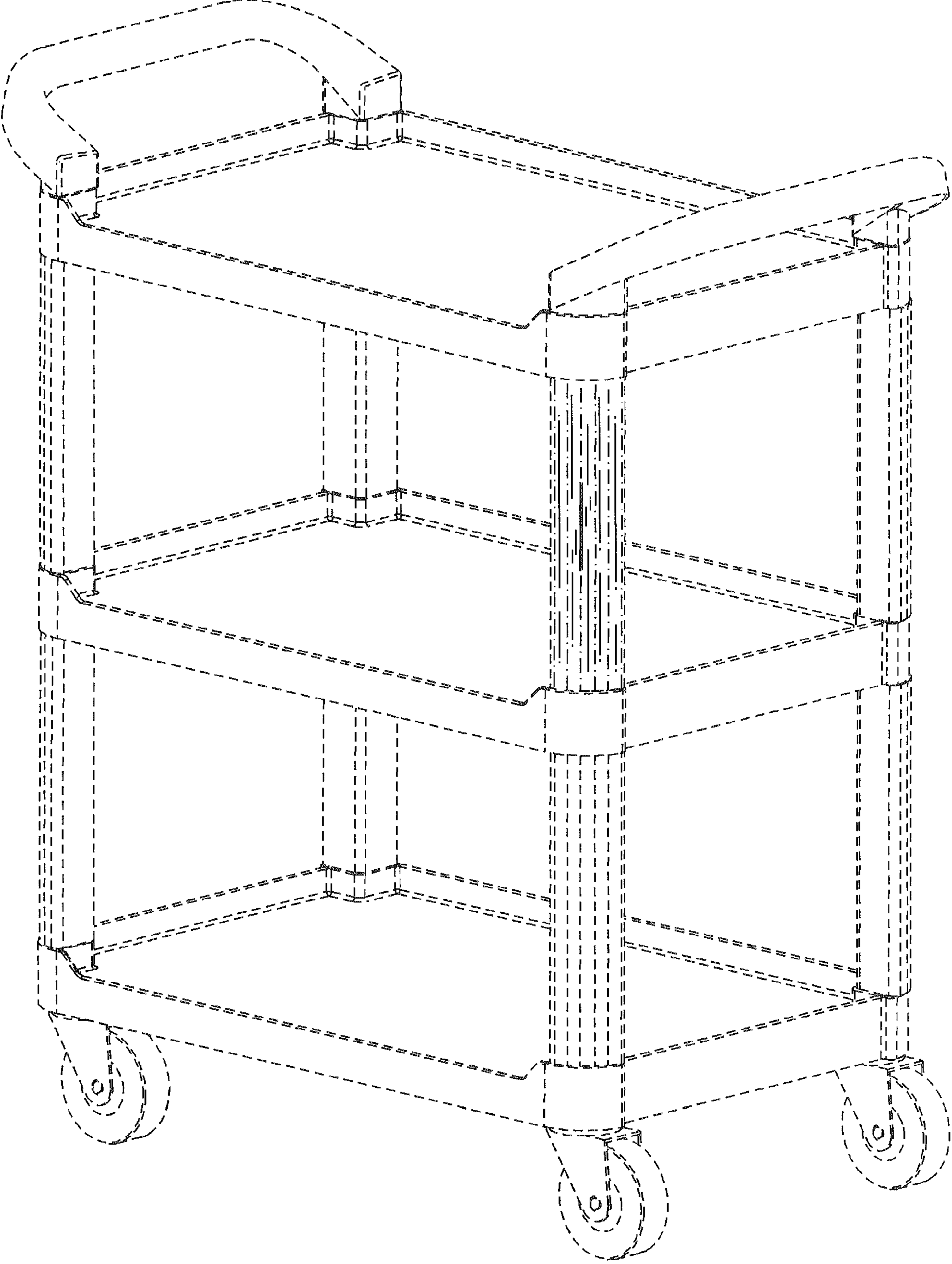


FIG. 1

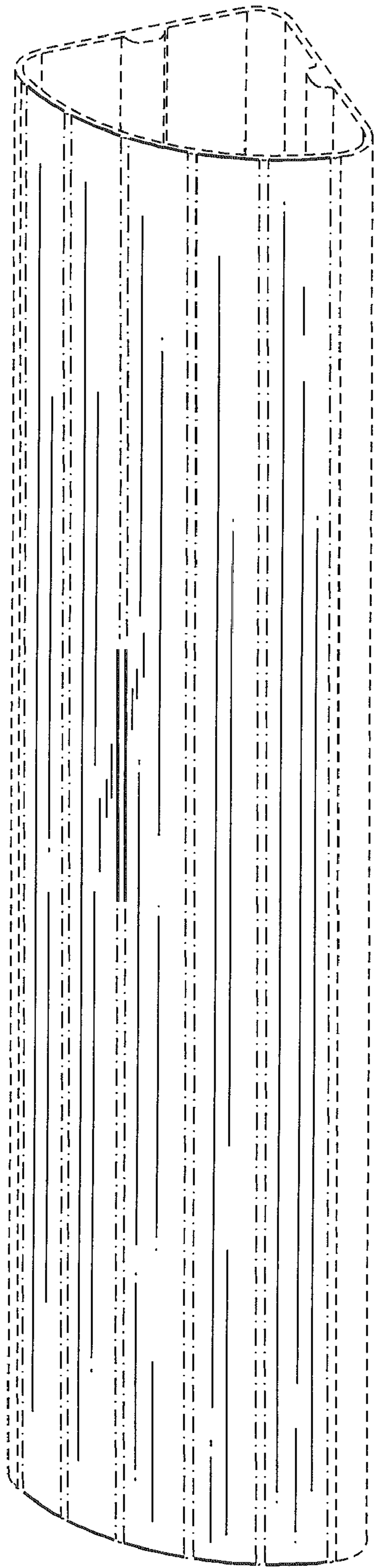


FIG. 2

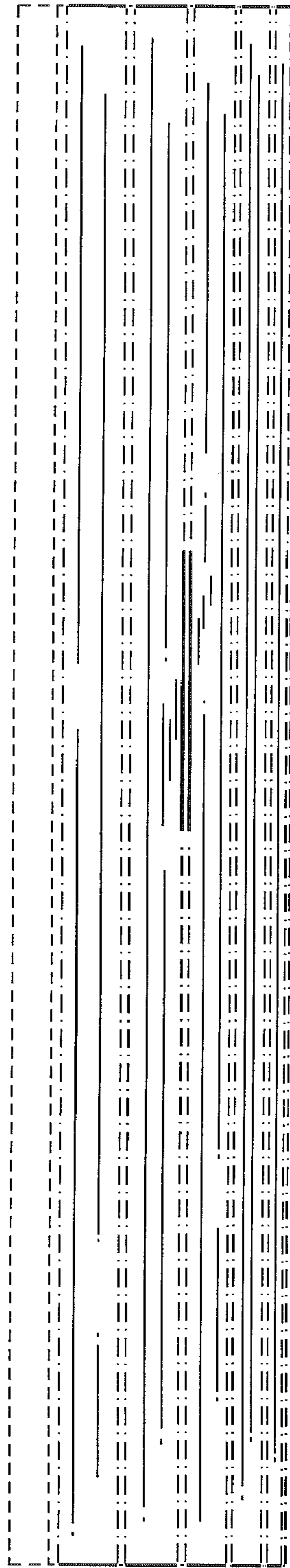


FIG. 3

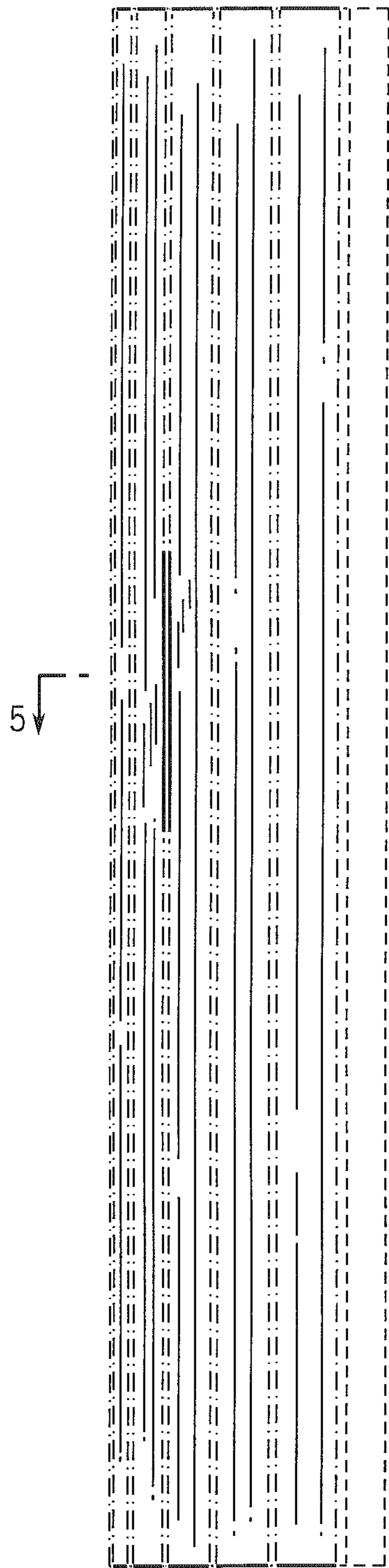


FIG. 4

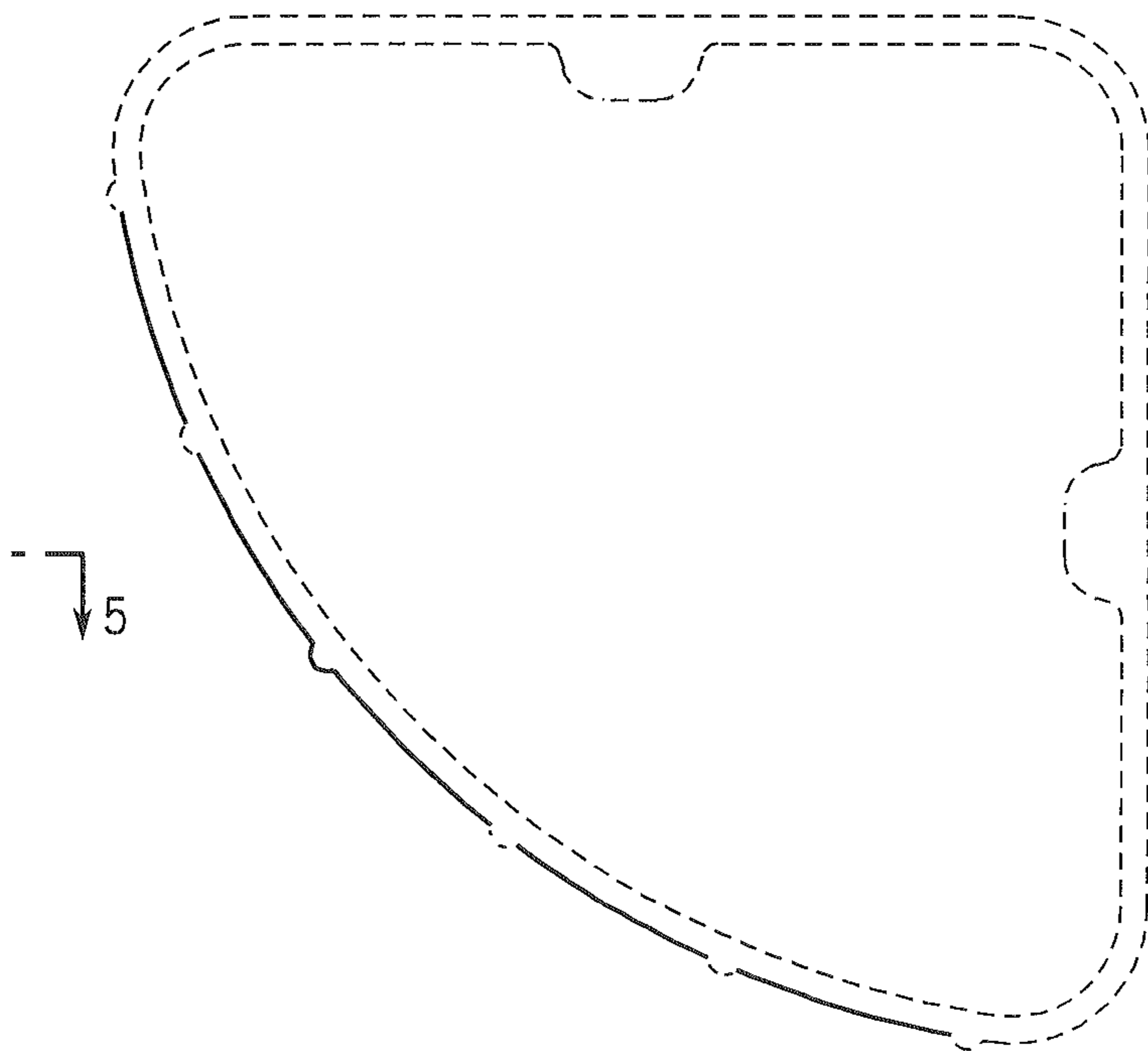


FIG. 5