



US00D577868S

(12) **United States Design Patent**
Rutherford et al.

(10) **Patent No.:** **US D577,868 S**

(45) **Date of Patent:** **** Sep. 30, 2008**

(54) **PET TOY**

(75) Inventors: **Ryan Rutherford**, Rutherford, NJ (US);
Peter Ragonetti, Brooklyn, NY (US)

(73) Assignee: **JW Pet Company, Inc.**, Teterboro, NJ
(US)

(**) Term: **14 Years**

(21) Appl. No.: **29/291,524**

(22) Filed: **Aug. 31, 2007**

Related U.S. Application Data

(62) Division of application No. 29/256,103, filed on Mar. 15, 2006, now Pat. No. Des. 556,392.

(51) **LOC (8) Cl.** **30-99**

(52) **U.S. Cl.** **D30/160**

(58) **Field of Classification Search** D30/160;
119/702, 706-711; D21/707, 713; D24/193-195;
446/46

See application file for complete search history.

(56) **References Cited**

U.S. PATENT DOCUMENTS

D58,075	S *	6/1921	Davis	D21/406
2,078,382	A *	4/1937	Hanshaw	D21/713
2,717,473	A *	9/1955	Moore	D24/194
3,758,985	A *	9/1973	Heisler	446/46
D245,935	S *	9/1977	Stubbmann	D21/405
4,262,911	A *	4/1981	Opresik et al.	446/46
4,580,990	A *	4/1986	Avery	446/46
5,009,341	A *	4/1991	Broxton	222/130

5,045,011	A *	9/1991	Lovik	446/46
5,326,564	A *	7/1994	LaRosa et al.	424/401
5,984,753	A *	11/1999	Perez	446/46
6,805,077	B2 *	10/2004	Goldman	119/707
D501,520	S *	2/2005	Fraze	D21/707
6,905,387	B2 *	6/2005	Benson	446/46
6,908,359	B2 *	6/2005	Orlowski	446/46
7,141,011	B2 *	11/2006	Williams et al.	482/148
7,263,952	B1 *	9/2007	Tsengas	119/709
D552,696	S *	10/2007	Hallar	D21/662
D556,392	S *	11/2007	Rutherford et al.	D30/160
D565,806	S *	4/2008	Rutherford	D30/160

* cited by examiner

Primary Examiner—Cathy Anne MacCormac

(74) *Attorney, Agent, or Firm*—Katten Muchin Rosenman LLP

(57) **CLAIM**

The ornamental designs for pet toy, as shown and described.

DESCRIPTION

FIG. 1 is a perspective view of our pet toy showing our new design;

FIG. 2 is a front view thereof;

FIG. 3 is a rear view thereof;

FIG. 4 is a left side view thereof;

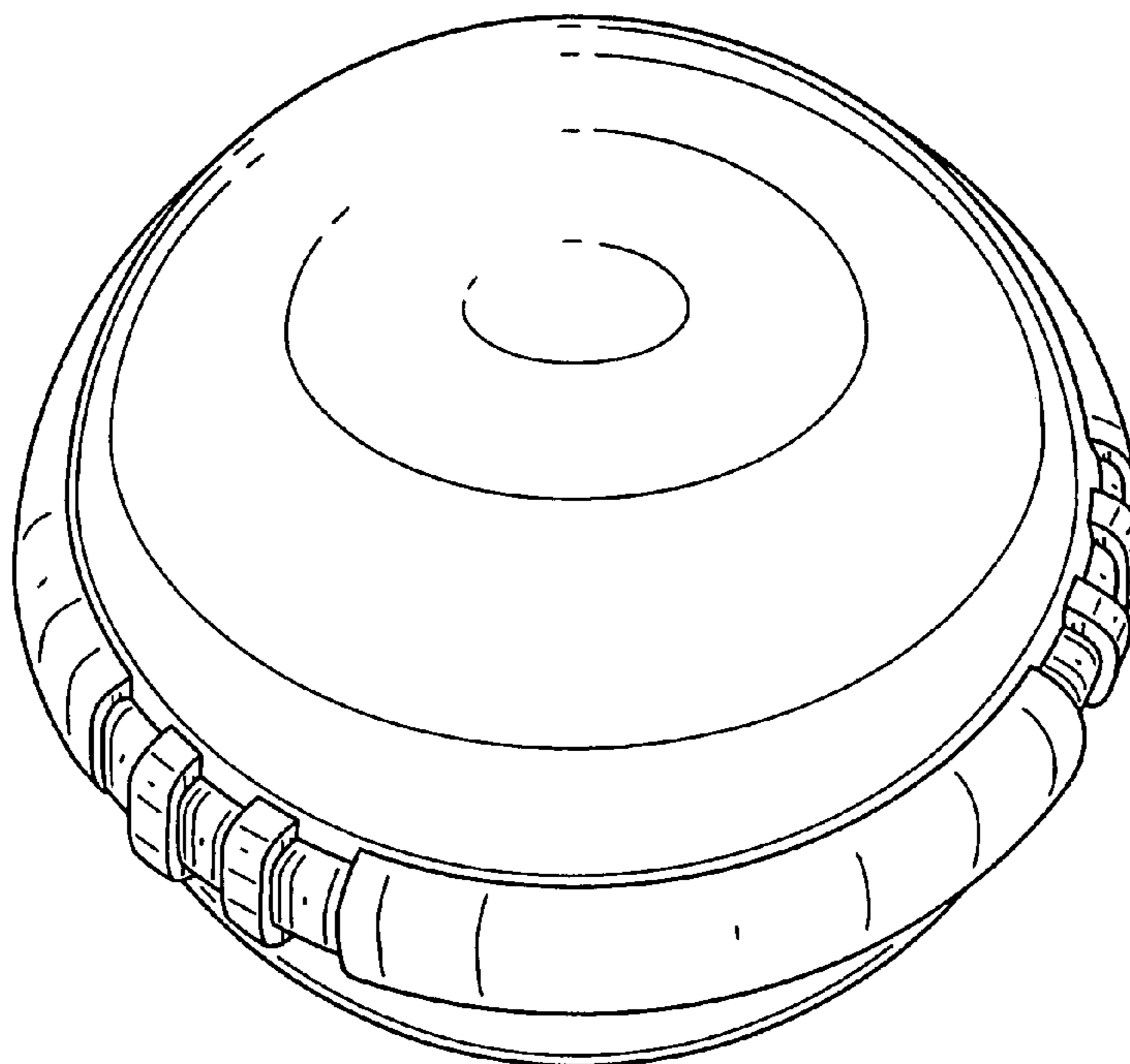
FIG. 5 is a right side view thereof;

FIG. 6 is a top view thereof; and,

FIG. 7 is a bottom view thereof.

The in broken lines form no part of the claimed design.

1 Claim, 7 Drawing Sheets



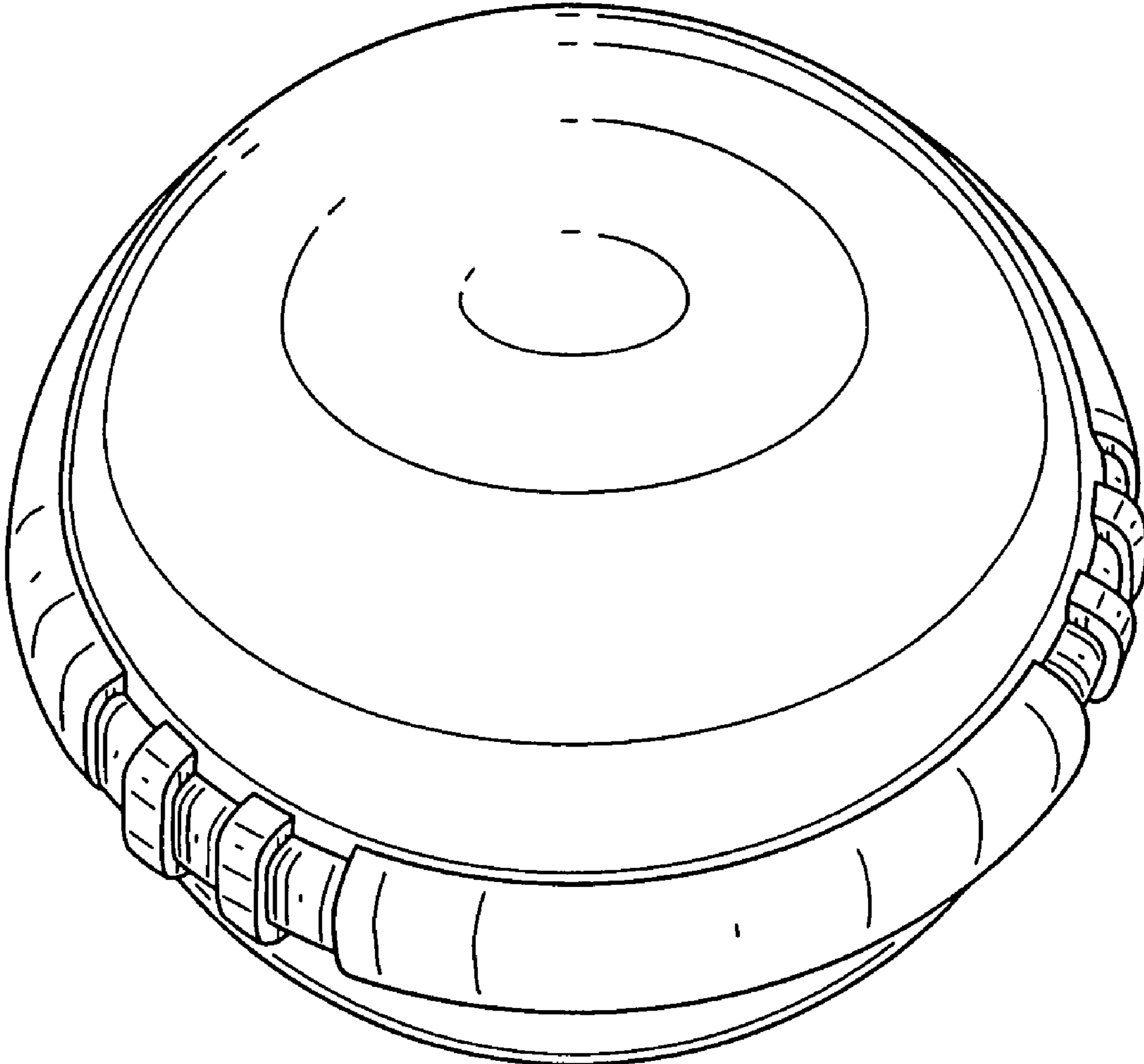


FIG. 1

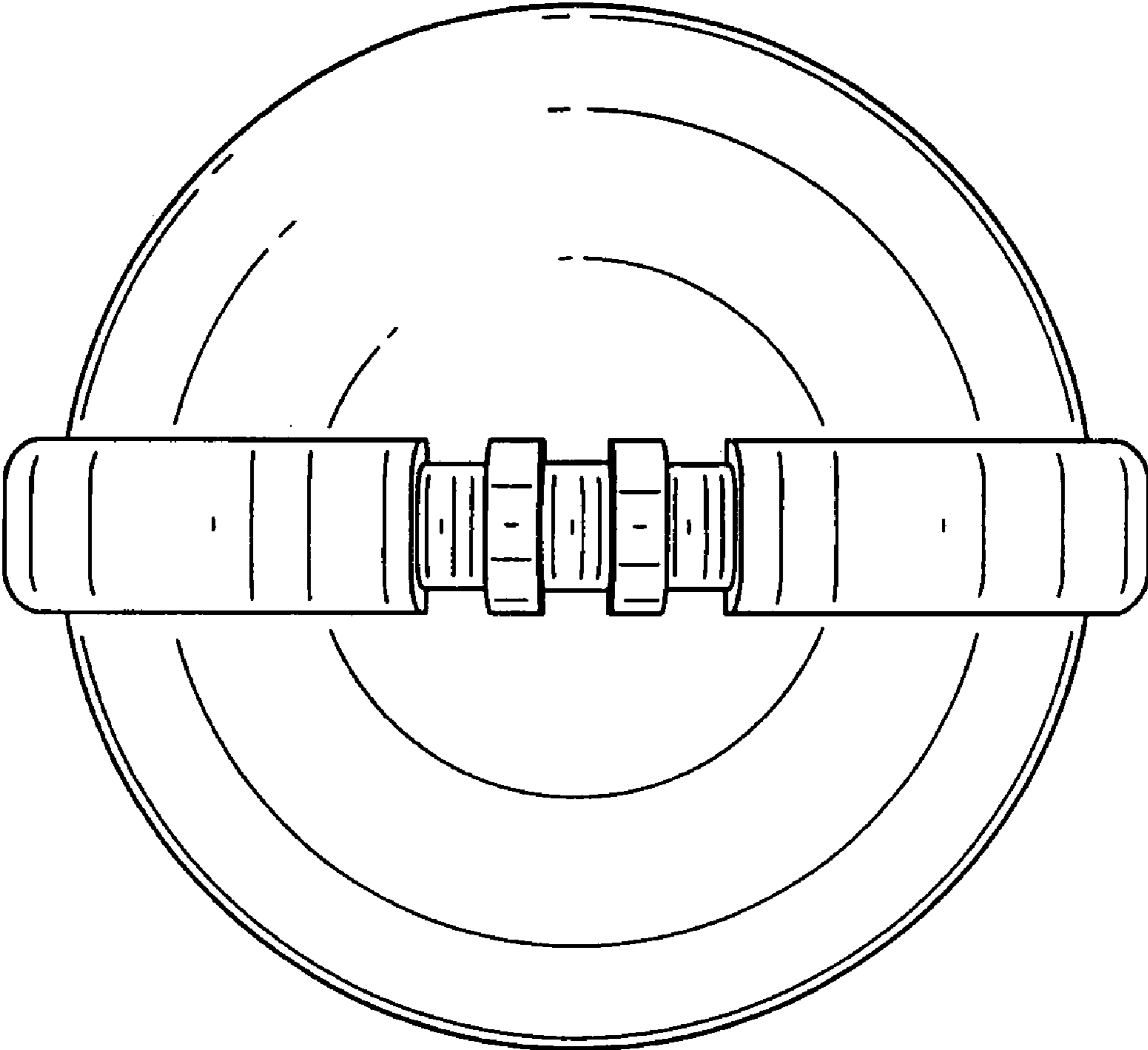


FIG. 2

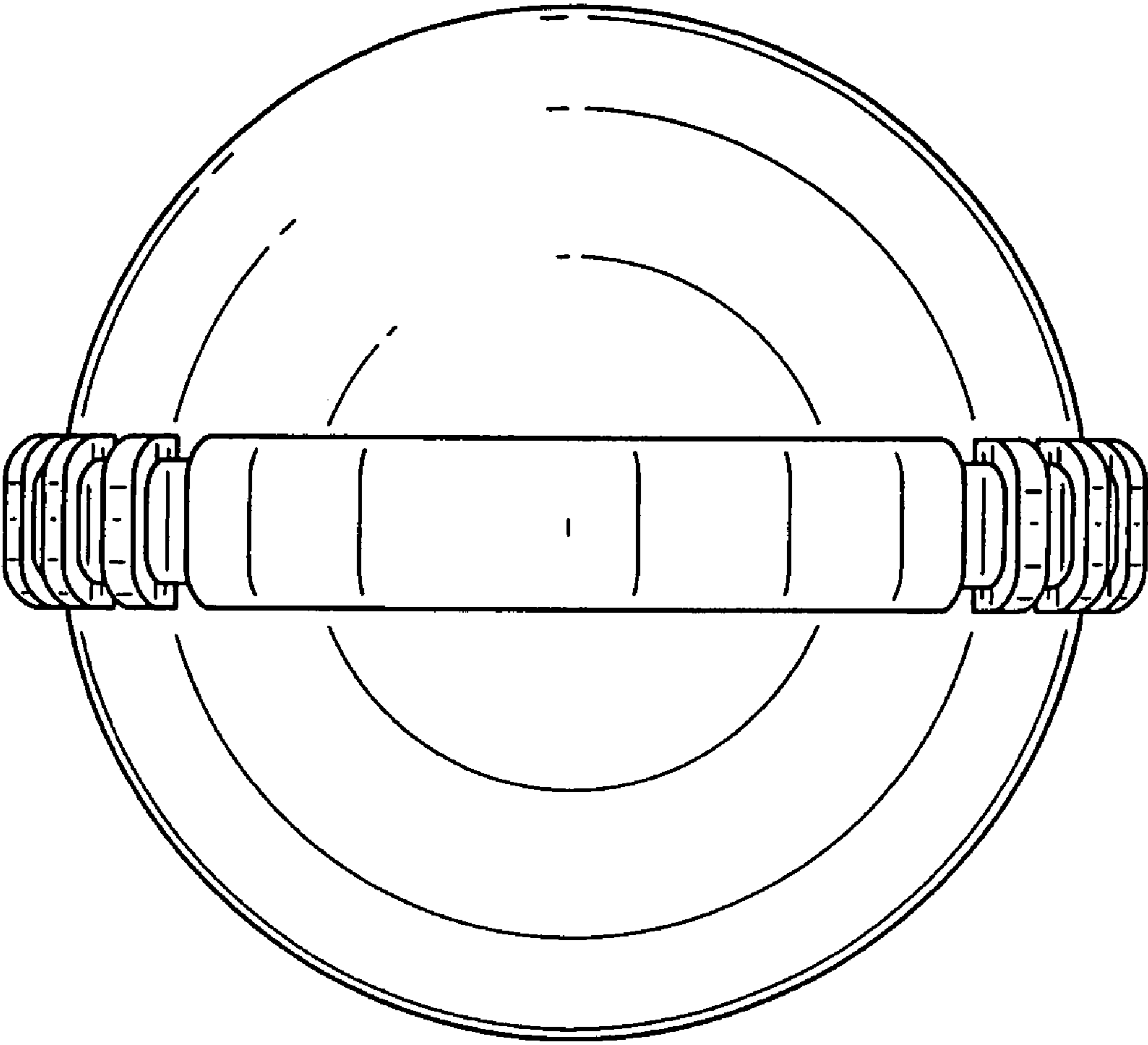


FIG. 3

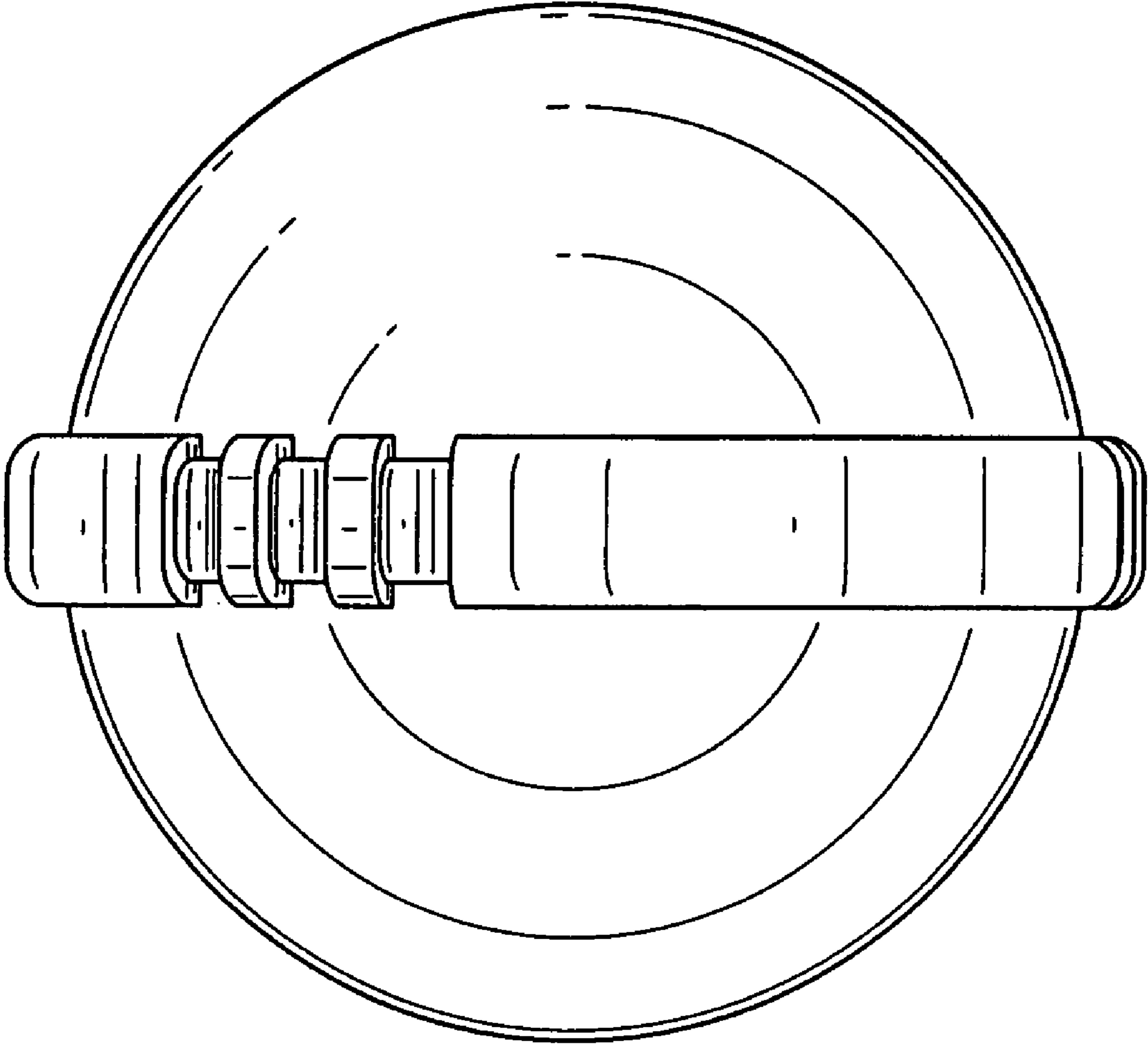


FIG. 4

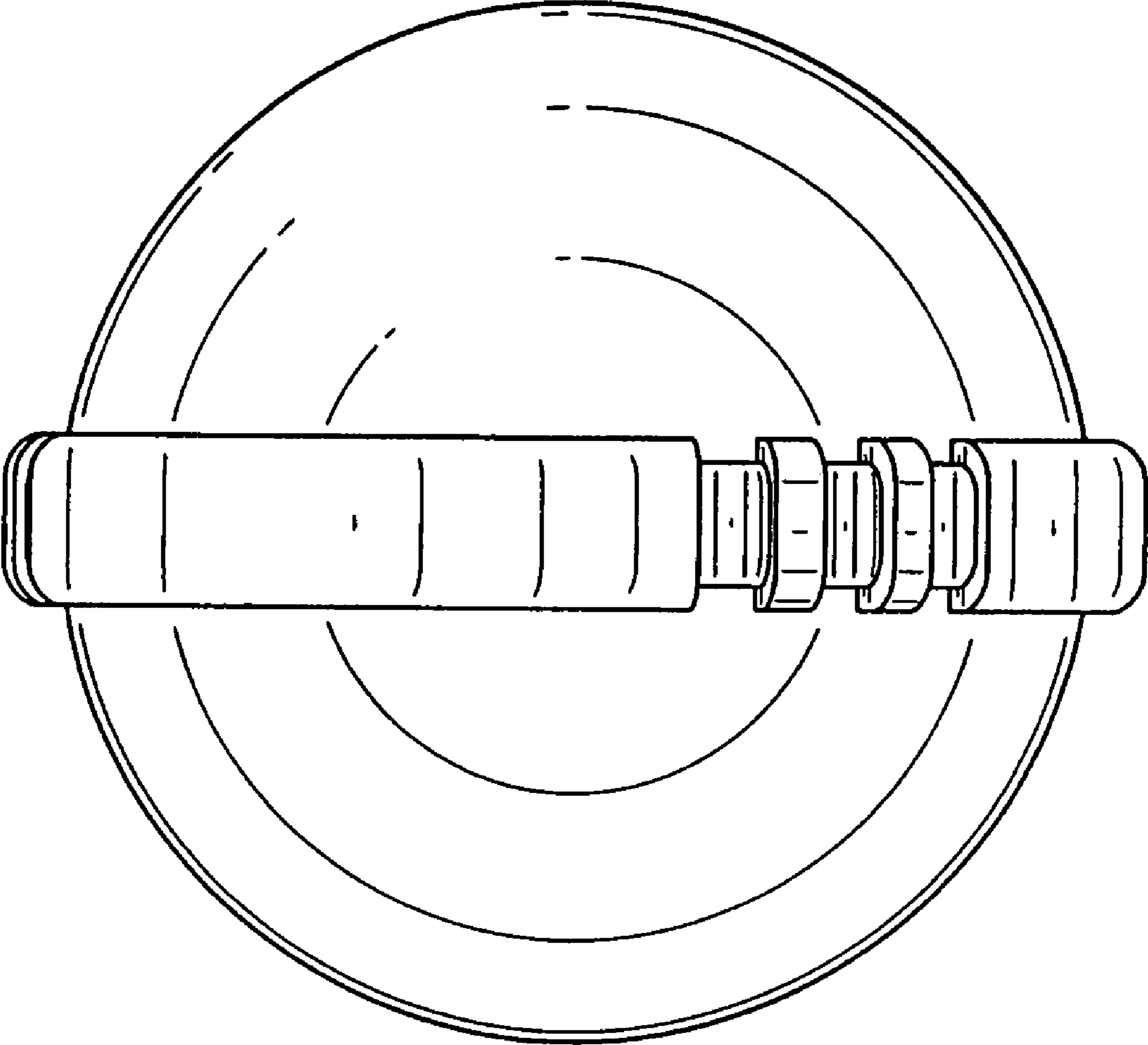


FIG. 5

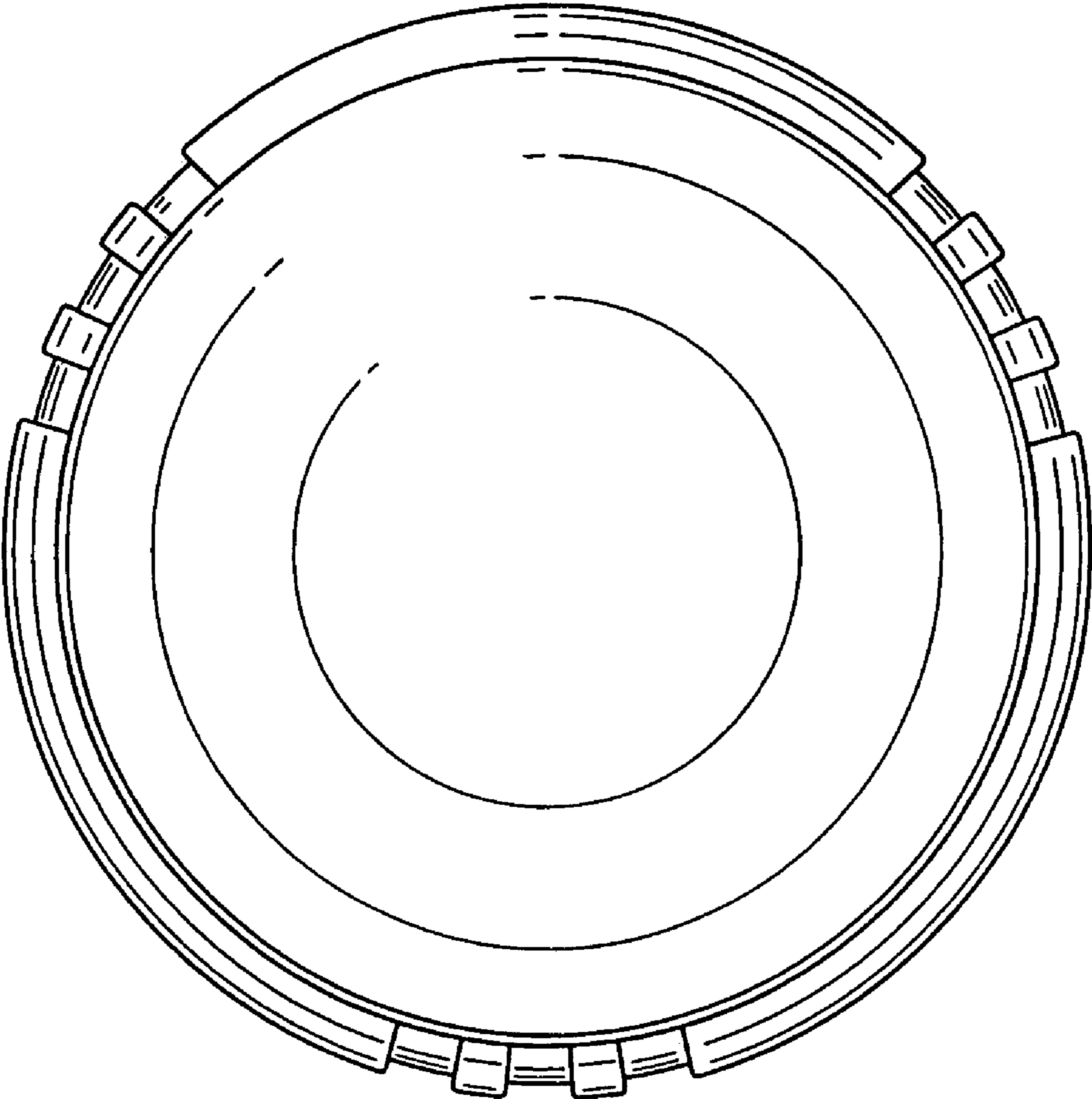


FIG. 6

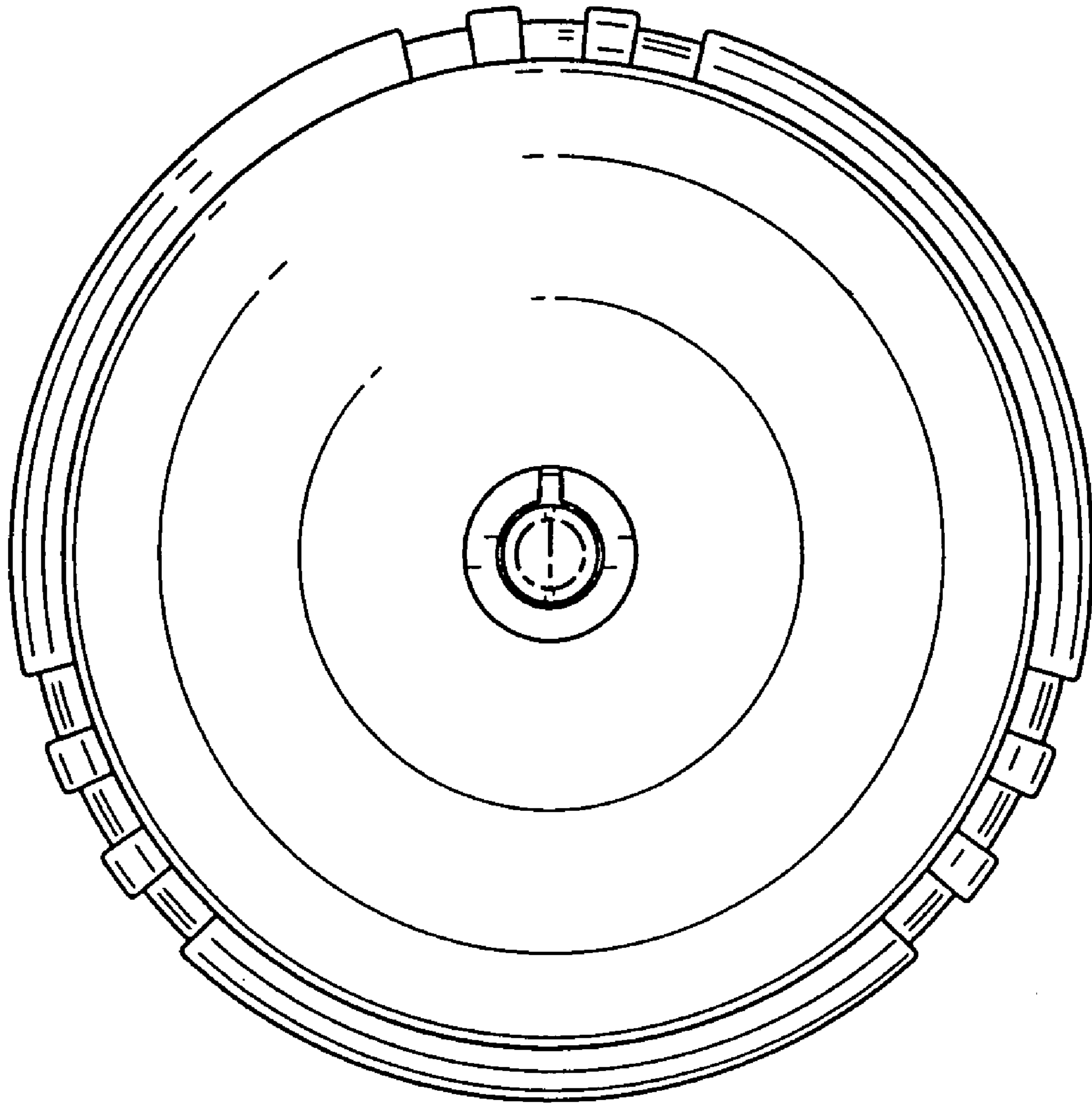


FIG. 7