



US00D577867S

(12) **United States Design Patent**
Lacov et al.

(10) **Patent No.:** **US D577,867 S**
(45) **Date of Patent:** **** Sep. 30, 2008**

(54) **TURNOUT BLANKET**

(75) Inventors: **Sean Lacov**, Boca Raton, FL (US);
Adam Day, Boynton Beach, FL (US);
Jodi Friend, Delray, FL (US); **Maureen Carroll**, Atlanta, GA (US)

(73) Assignee: **Sunbeam Products, Inc.**, Boca Raton, FL (US)

(**) Term: **14 Years**

(21) Appl. No.: **29/272,770**

(22) Filed: **Feb. 16, 2007**

(51) **LOC (8) Cl.** **30-01**

(52) **U.S. Cl.** **D30/145**

(58) **Field of Classification Search** D30/145;
119/850; 54/79.1-79.4; 2/456

See application file for complete search history.

(56) **References Cited**

U.S. PATENT DOCUMENTS

889,391	A *	6/1908	Nagel	54/79.2
D250,138	S *	10/1978	Bartolac et al.	D30/145
D265,516	S *	7/1982	Wacker	D30/145
D379,687	S *	6/1997	Curtis	D30/145
5,839,395	A *	11/1998	Kelley et al.	119/850
D418,635	S *	1/2000	Stevens	D30/145
D423,737	S *	4/2000	MacGuinness	D30/145
6,467,244	B1 *	10/2002	Kelley et al.	54/79.2

D505,756	S *	5/2005	Strauss	D30/145
2005/0066631	A1 *	3/2005	MacGuinness	54/79.2
2005/0126134	A1 *	6/2005	Hathcock	54/79.2

FOREIGN PATENT DOCUMENTS

CA	2484576	*	4/2006
EP	1121854	A1 *	8/2001
WO	WO 3067968	A1 *	8/2003

* cited by examiner

Primary Examiner—Melanie Tung
Assistant Examiner—Susan Moon Lee

(74) *Attorney, Agent, or Firm*—Lawrence J. Shurupoff

(57) **CLAIM**

The ornamental design for a turnout blanket, as shown and described.

DESCRIPTION

FIG. 1 is a right side elevation view of the turnout blanket showing the new design as worn by a horse, this view being a mirror image of the left side elevation view thereof;

FIG. 2 is a top plan view thereof shown on a planar surface;

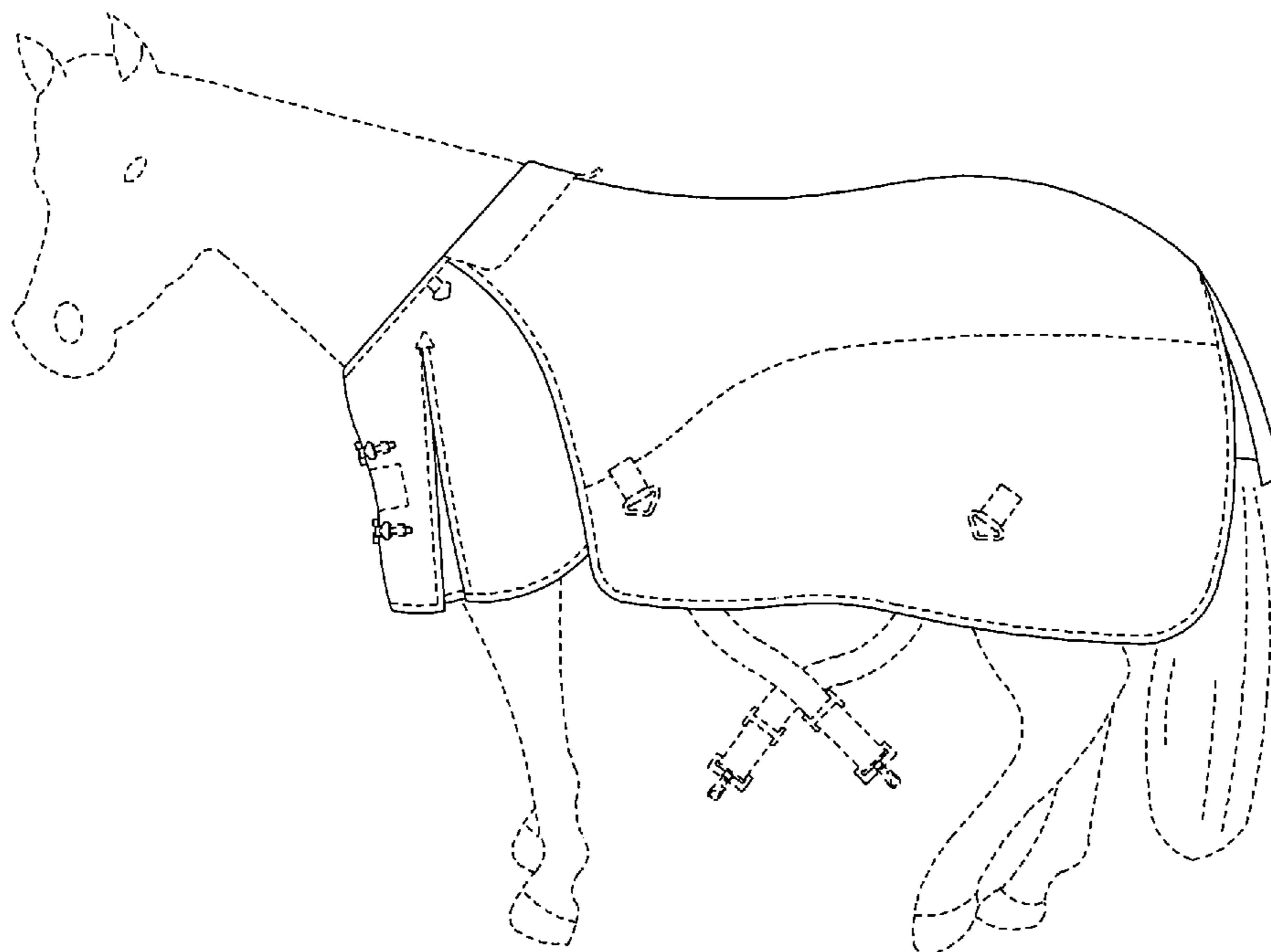
FIG. 3 is a bottom view of FIG. 2;

FIG. 4 is a front elevation view of FIG. 1; and,

FIG. 5 is a rear elevation view of FIG. 1.

The broken lines in the drawings are for illustrative purposes only and form no part of the claimed design.

1 Claim, 5 Drawing Sheets



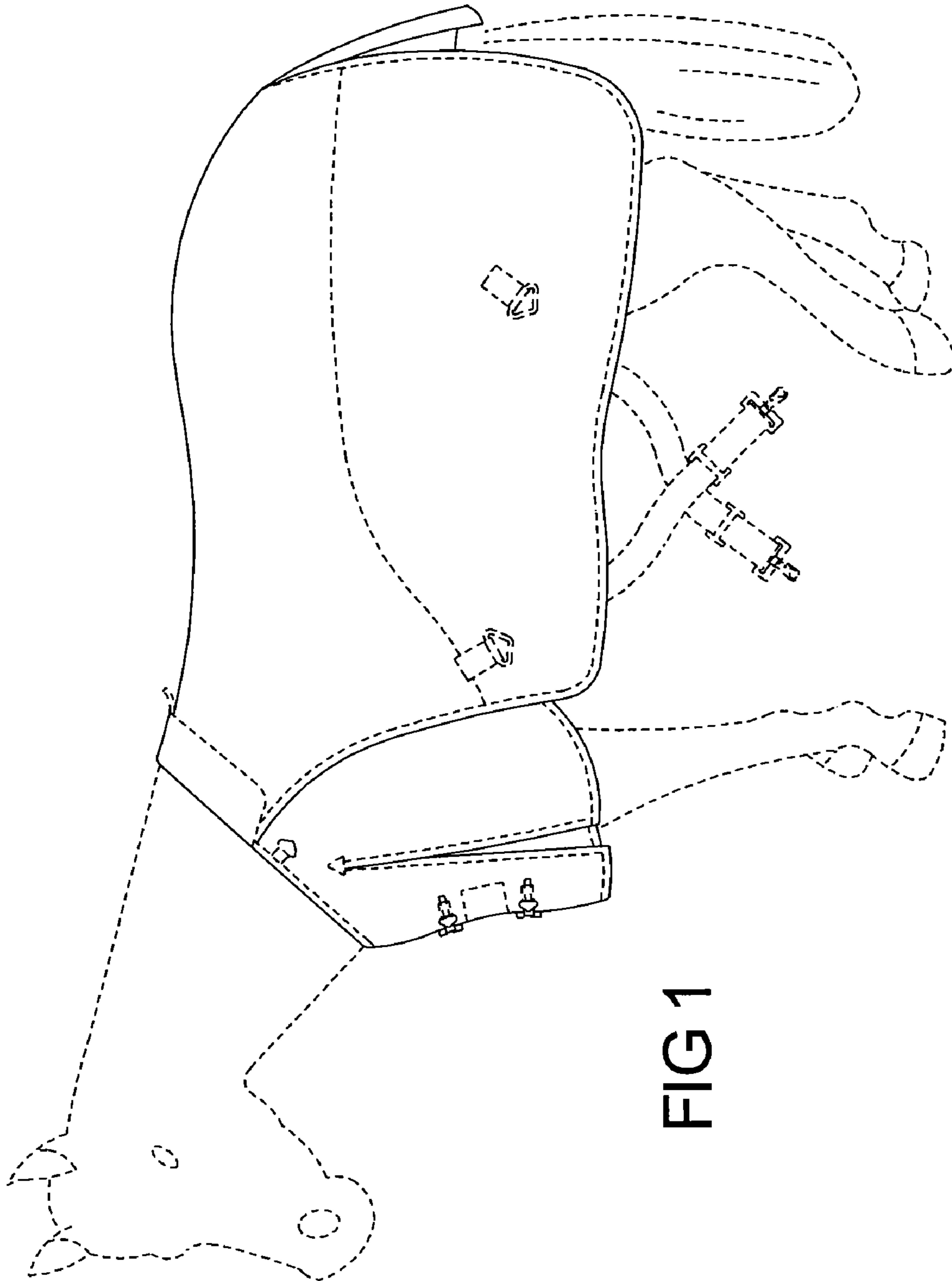


FIG 1

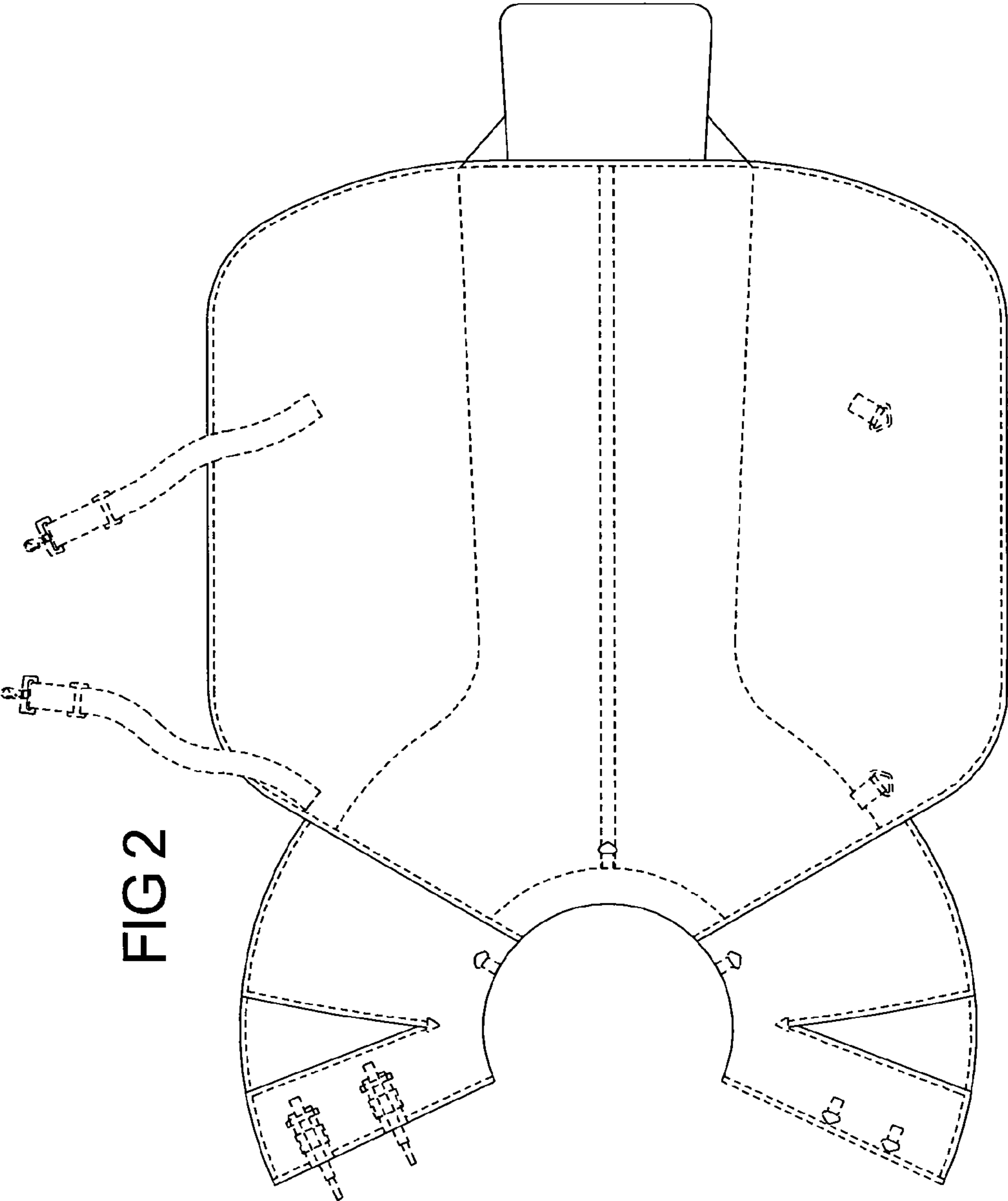


FIG 2

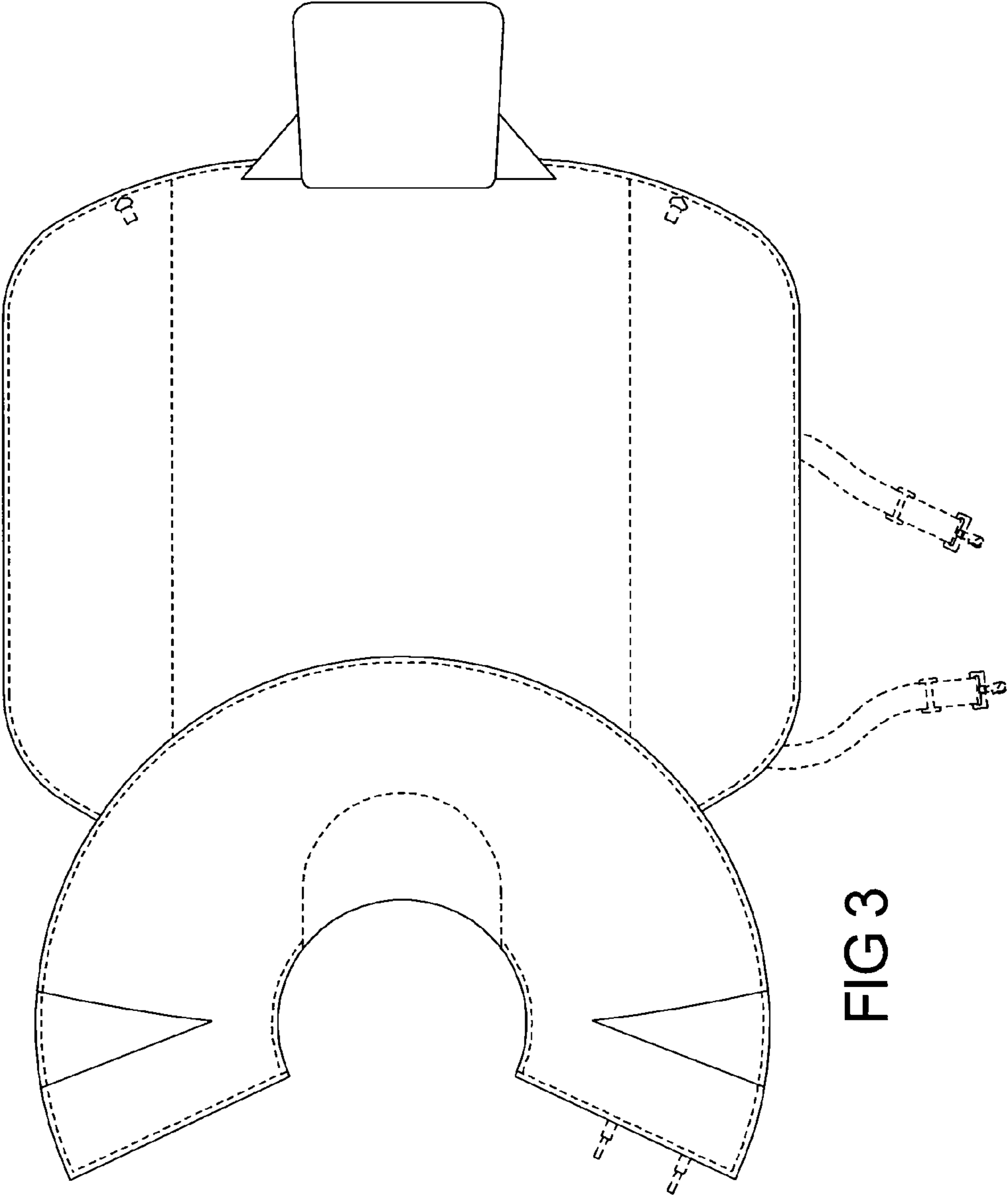


FIG 3

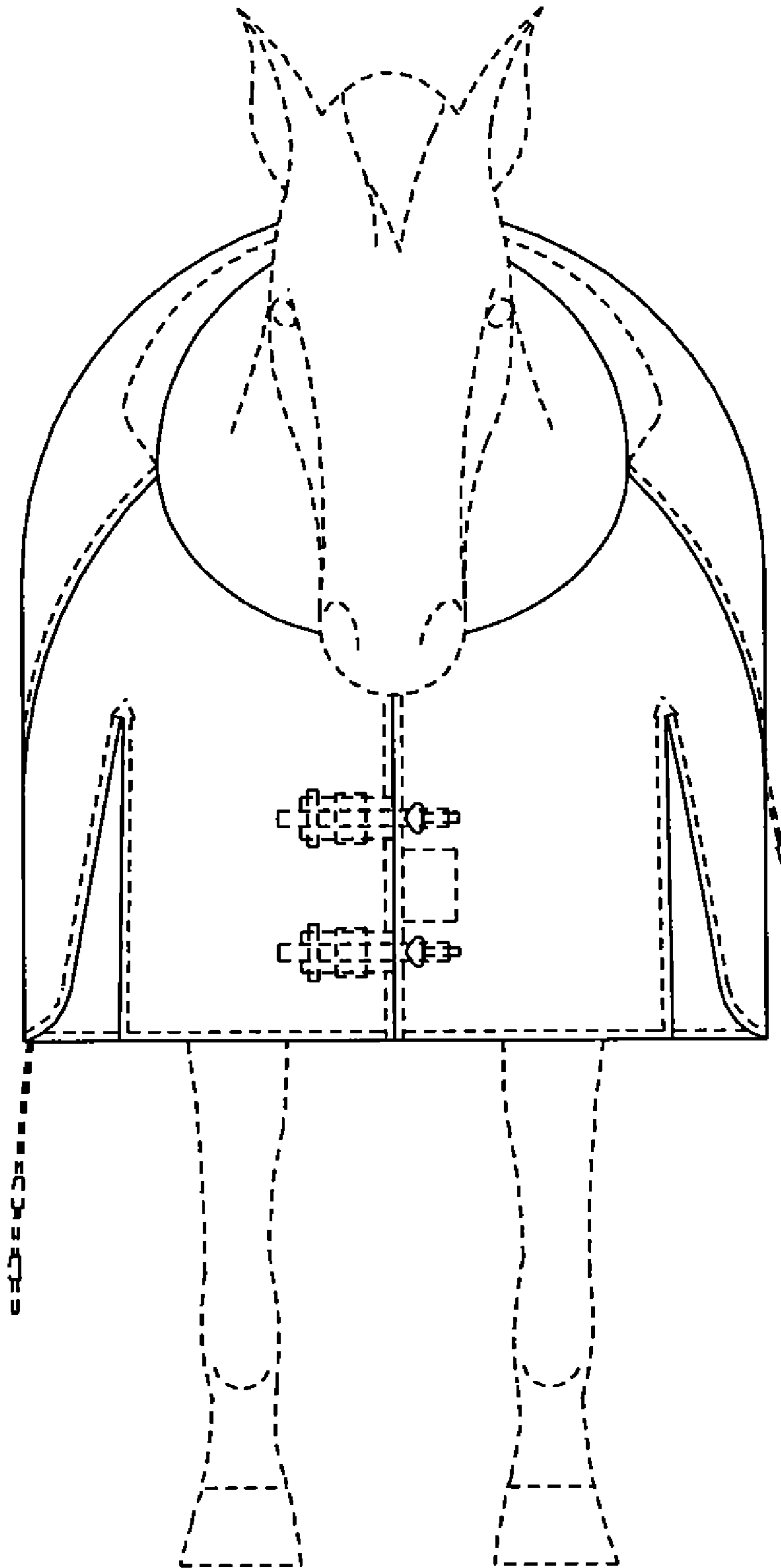


FIG 4

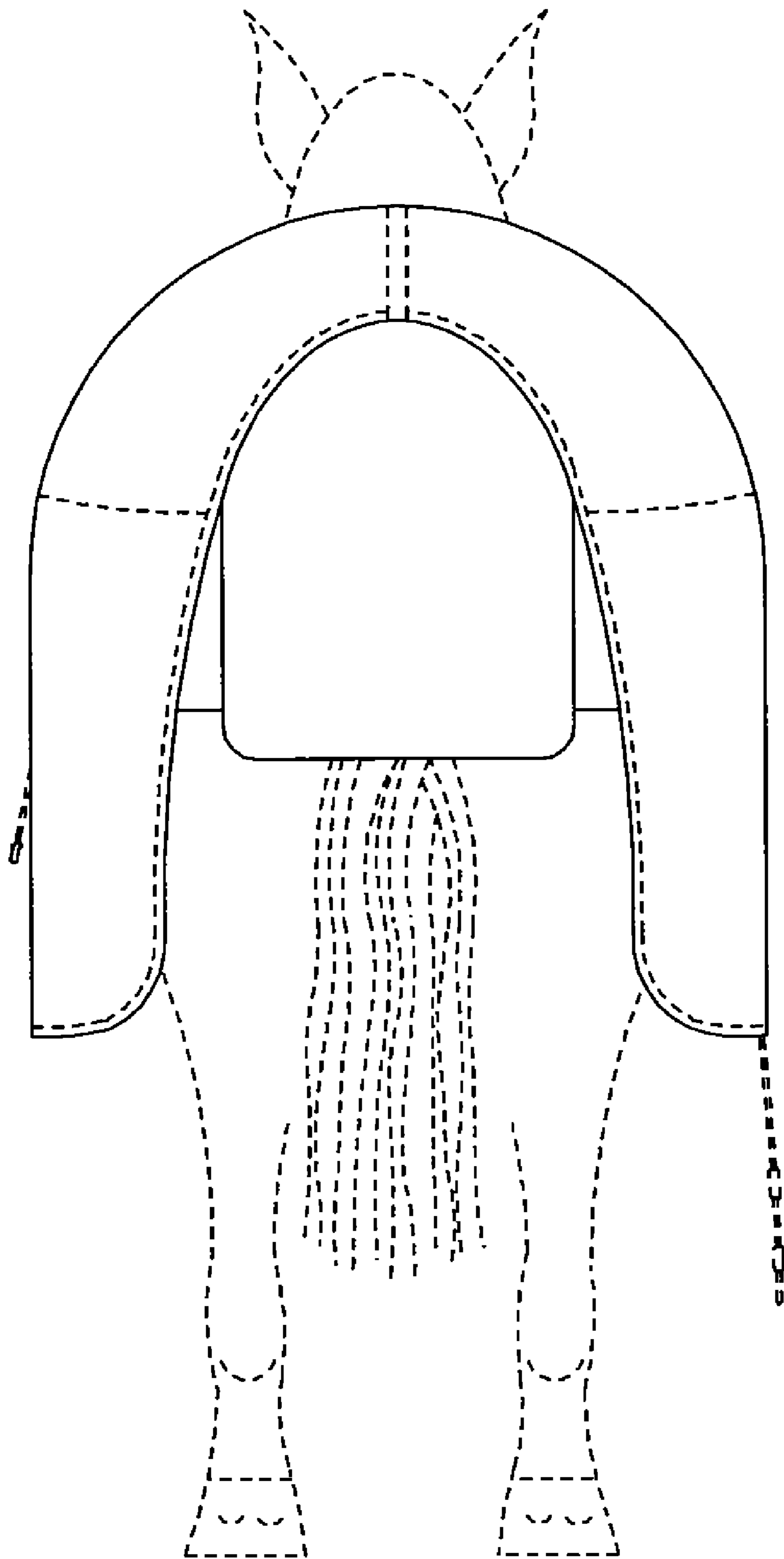


FIG 5