



US00D577865S

(12) **United States Design Patent**  
**Long et al.**

(10) **Patent No.:** **US D577,865 S**  
(45) **Date of Patent:** **\*\* Sep. 30, 2008**

(54) **HOUSING PORTION FOR HAIR CHAIR CLIPPER**

(75) Inventors: **Jason M. Long**, Fulton, IL (US);  
**Charles Choi**, Chicago, IL (US)

(73) Assignee: **Wahl Clipper Corporation**, Sterling, IL (US)

(\*\*) Term: **14 Years**

(21) Appl. No.: **29/288,714**

(22) Filed: **Jun. 21, 2007**

(51) **LOC (8) Cl.** ..... **28-03**

(52) **U.S. Cl.** ..... **D28/54**

(58) **Field of Classification Search** ..... D28/44–54;  
30/30, 32, 34.05, 34.1, 34.2, 41–419, 526–527,  
30/532, 533, 537–540

See application file for complete search history.

(56) **References Cited**

**U.S. PATENT DOCUMENTS**

D179,584 S *	1/1957	Wahl	.....	D28/53
D339,213 S *	9/1993	Wahl et al.	.....	D28/54
D348,543 S *	7/1994	Melton	.....	D28/54
5,787,587 A	8/1998	Wahl et al.		
D435,936 S	1/2001	Long et al.		
D436,692 S	1/2001	Larsen		
D445,541 S *	7/2001	Wursthorn	.....	D28/53
D455,230 S *	4/2002	Lau	.....	D28/53
D500,392 S	12/2004	Buck, Jr. et al.		
D534,689 S *	1/2007	Gross et al.	.....	D28/53
2003/0051347 A1 *	3/2003	Melton et al.	.....	30/216

\* cited by examiner

*Primary Examiner*—Jennifer Rivard

(74) *Attorney, Agent, or Firm*—Greer, Burns & Crain, Ltd.

(57) **CLAIM**

The ornamental design for a housing portion for hair clipper, as shown and described.

**DESCRIPTION**

FIG. 1 is a top perspective view of the present clipper housing in a first position;

FIG. 2 is a right side view of same, the opposite side being a mirror image thereof;

FIG. 3 is a top view of the housing of FIG. 1;

FIG. 4 is a front view of same;

FIG. 5 is a rear view of same;

FIG. 6 is a bottom view of same;

FIG. 7 is a top perspective view of the housing half of FIG. 1 shown in an open position;

FIG. 8 is a right side view of same, the opposite side being a mirror image thereof;

FIG. 9 is a top view of the clipper housing of FIG. 7;

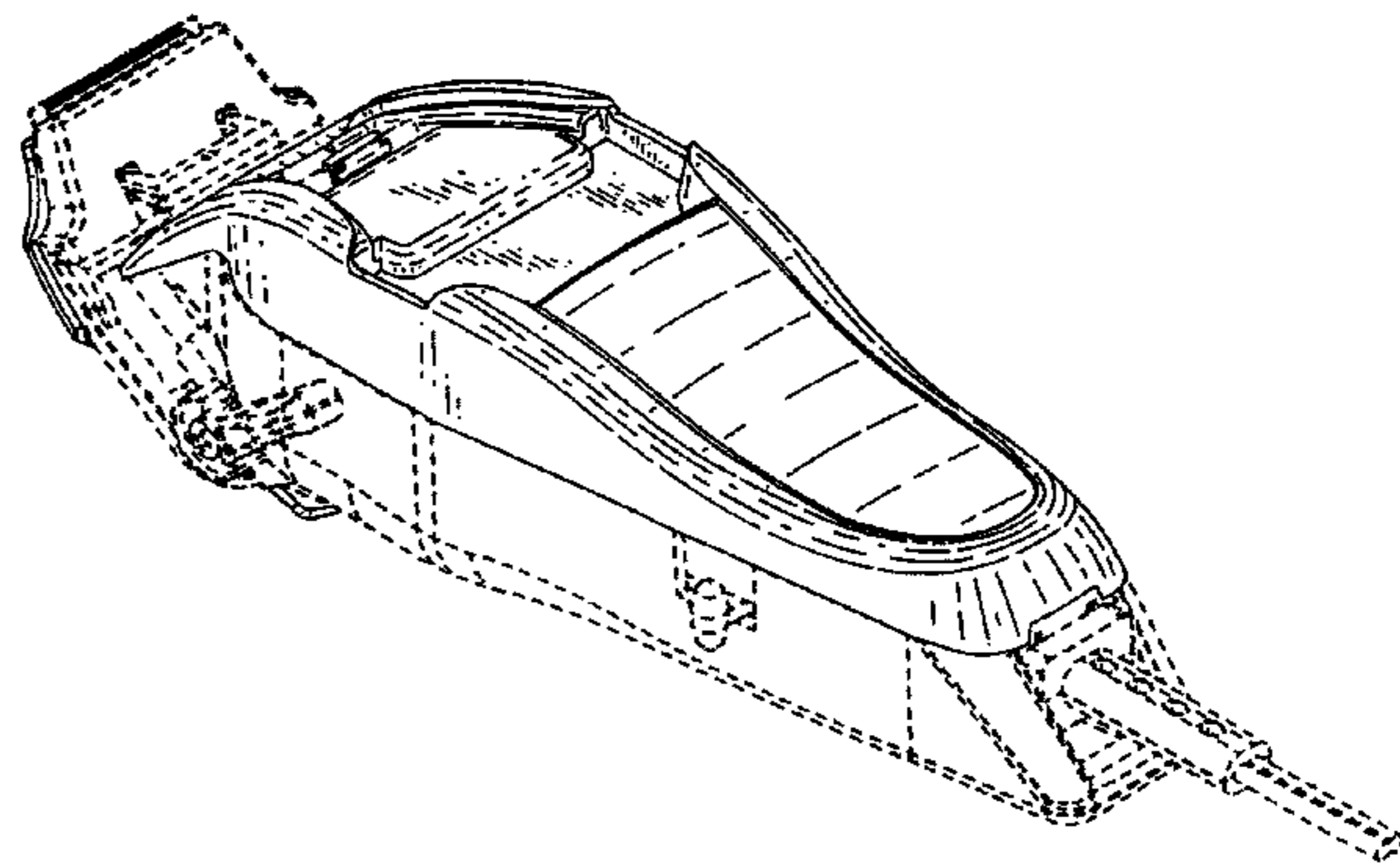
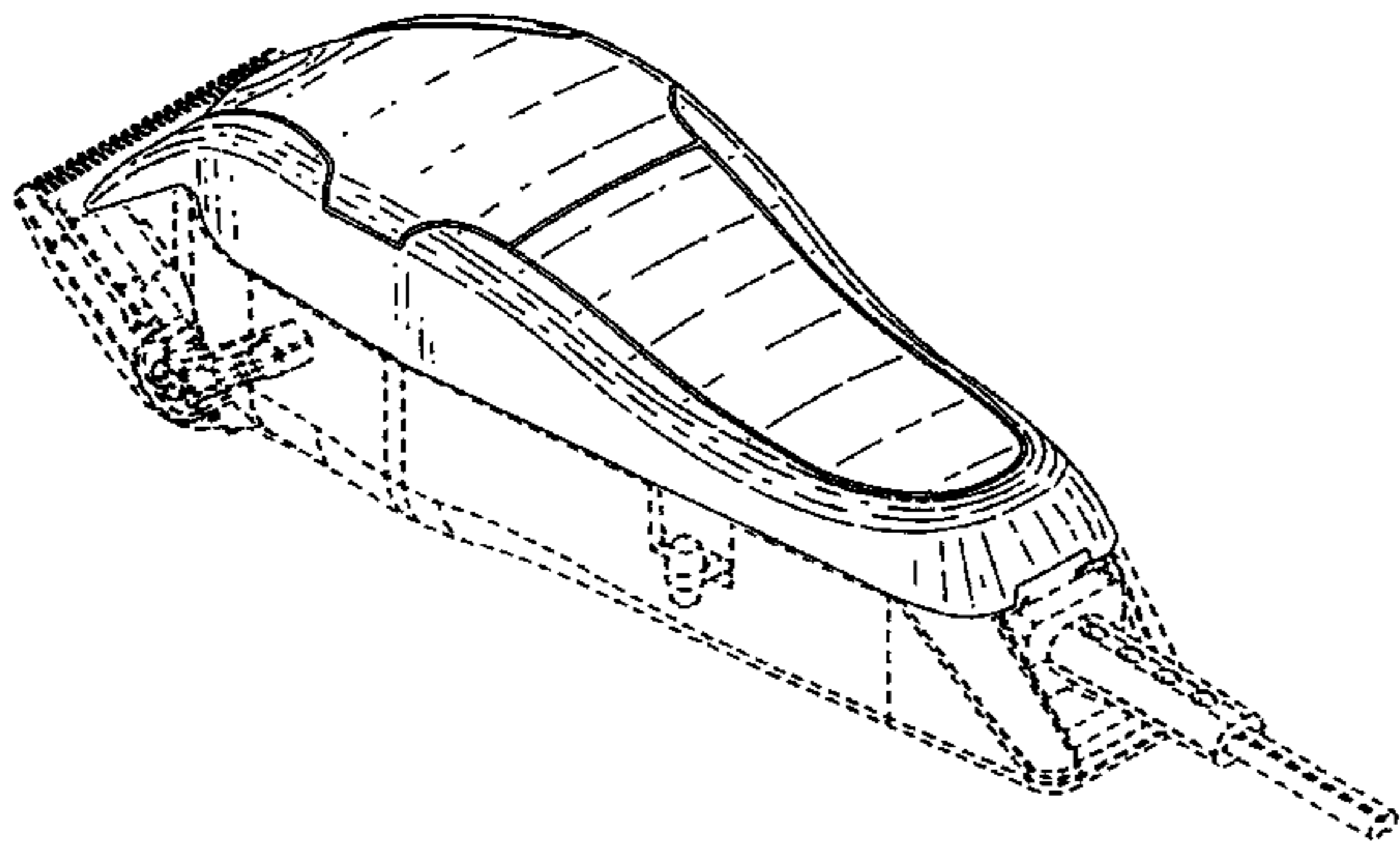
FIG. 10 is a front view of same;

FIG. 11 is a rear view of same; and,

FIG. 12 is a bottom view of the housing of FIG. 7.

The broken lines are provided for environmental purposes only and do not form part of the claimed invention.

**1 Claim, 8 Drawing Sheets**



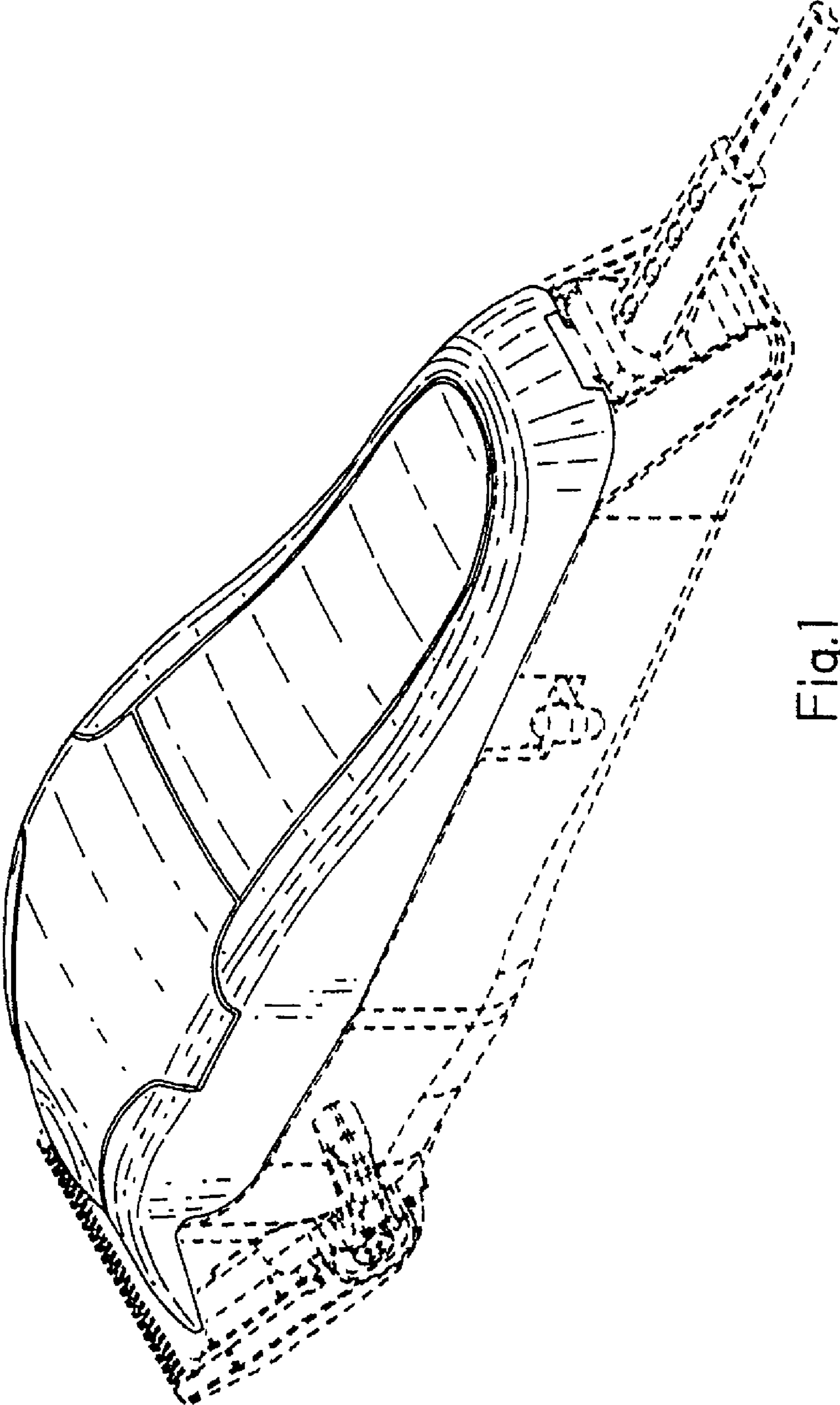


Fig.1

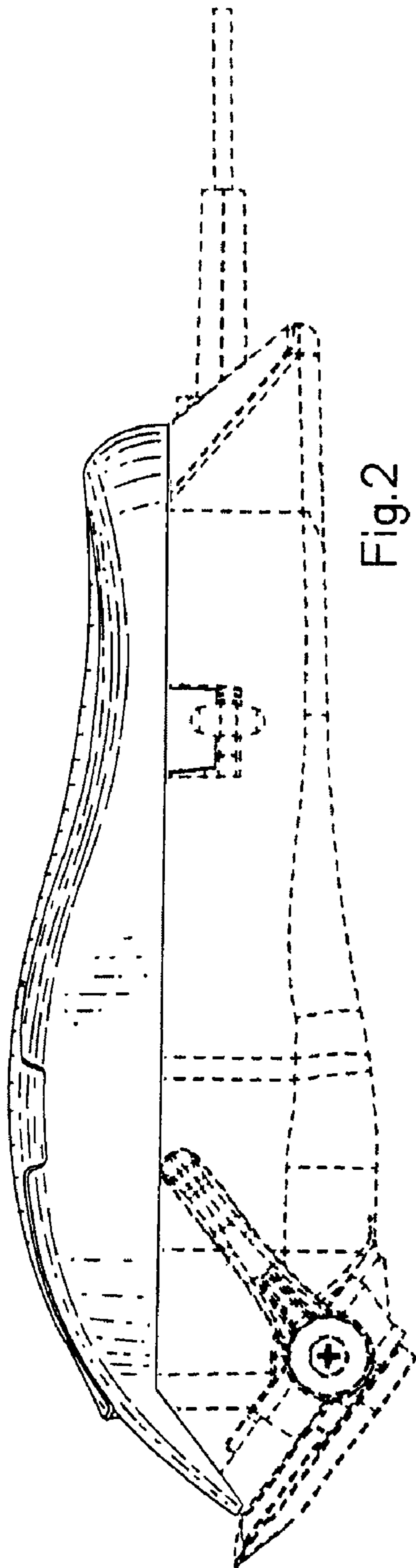


Fig. 2

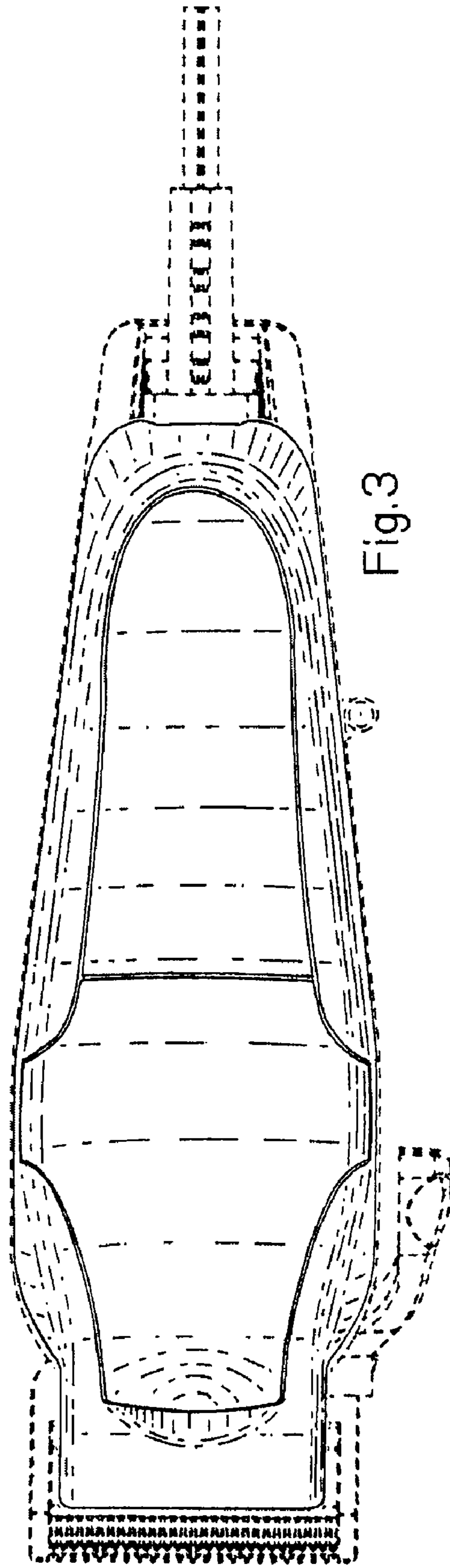


Fig. 3

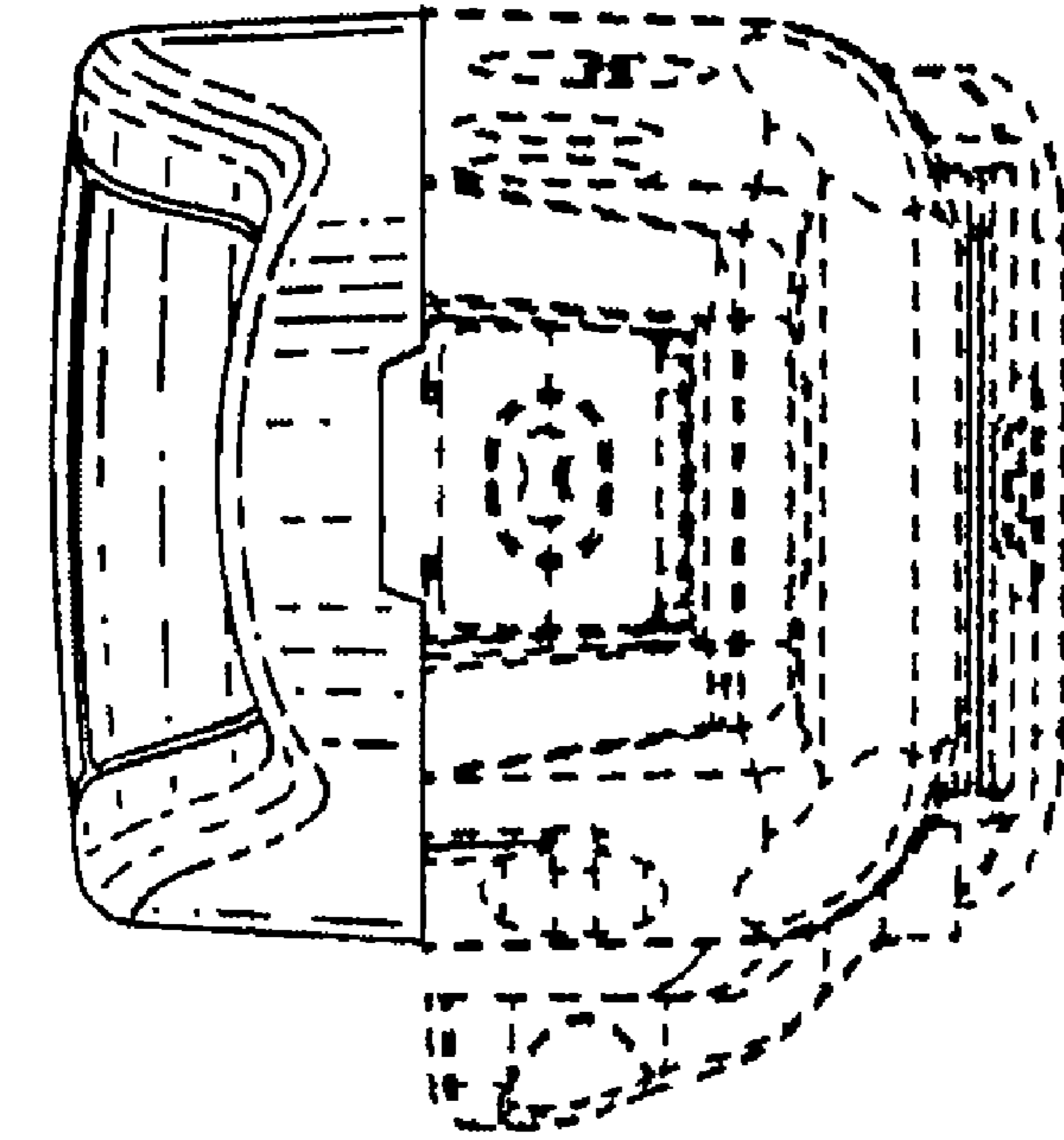


Fig. 5

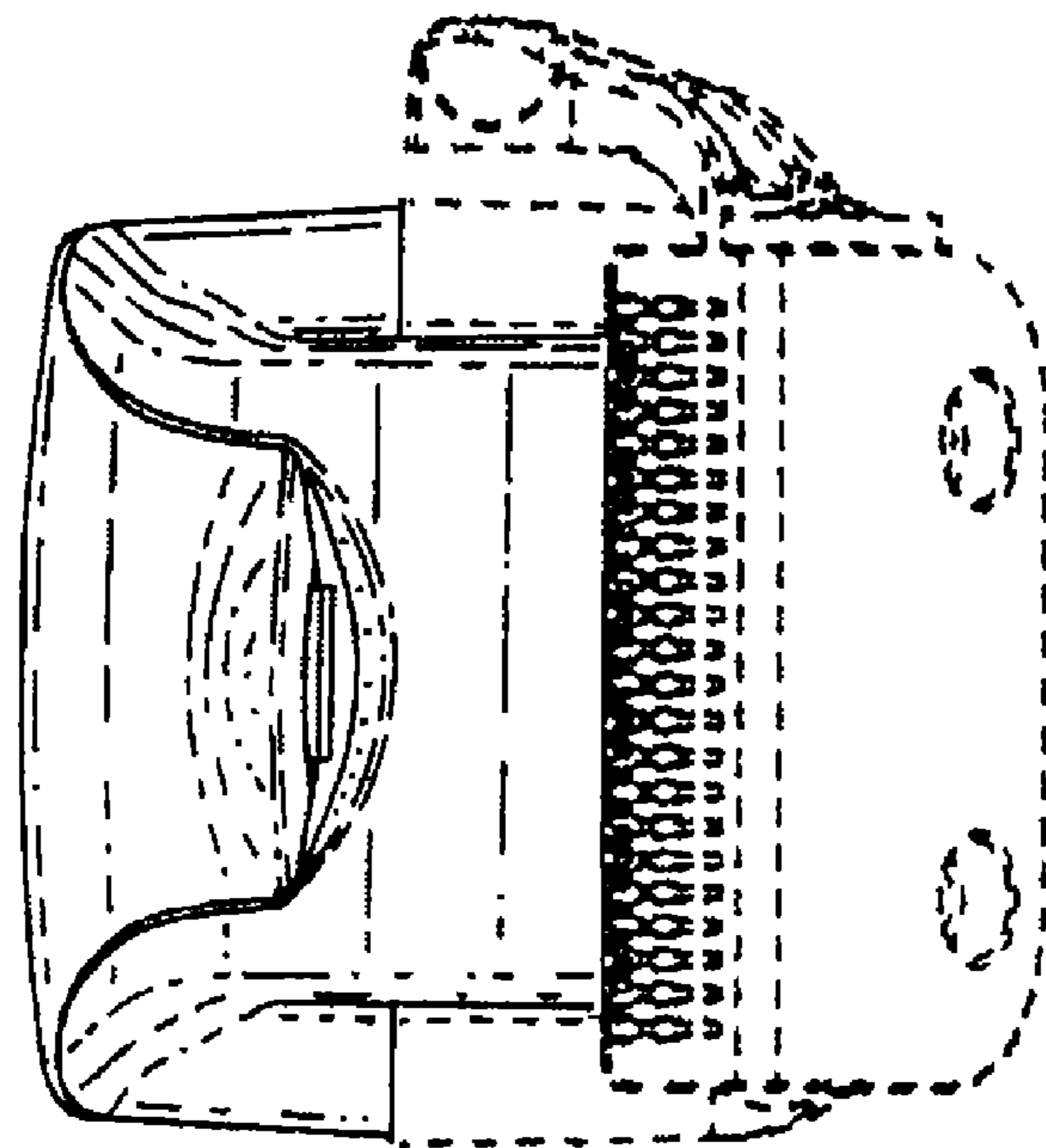


Fig. 4

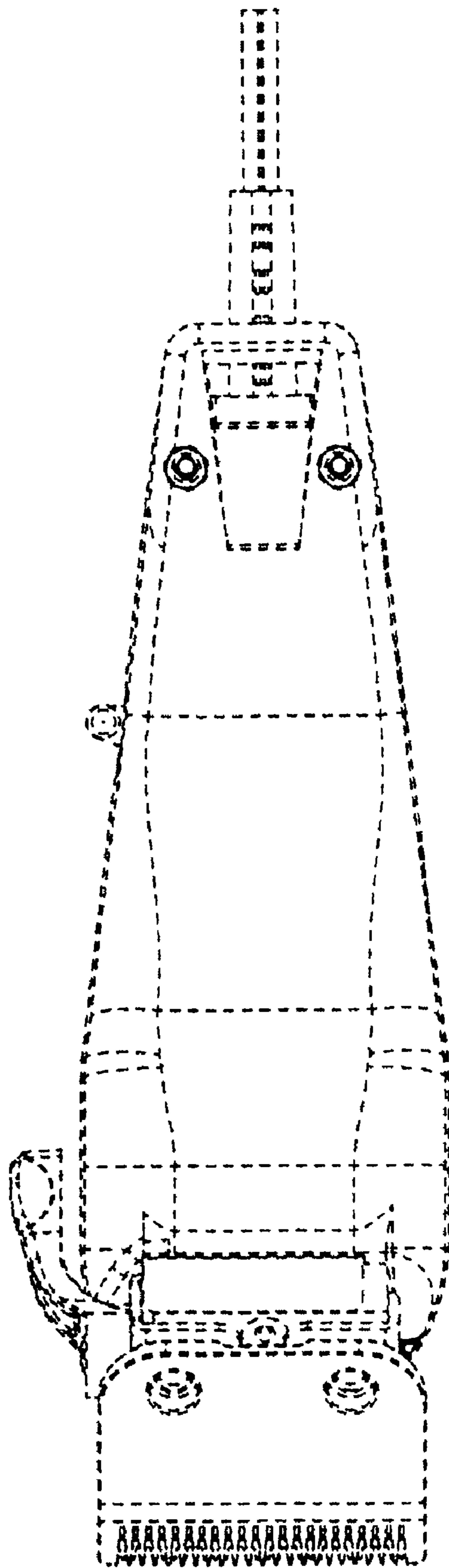


Fig. 6

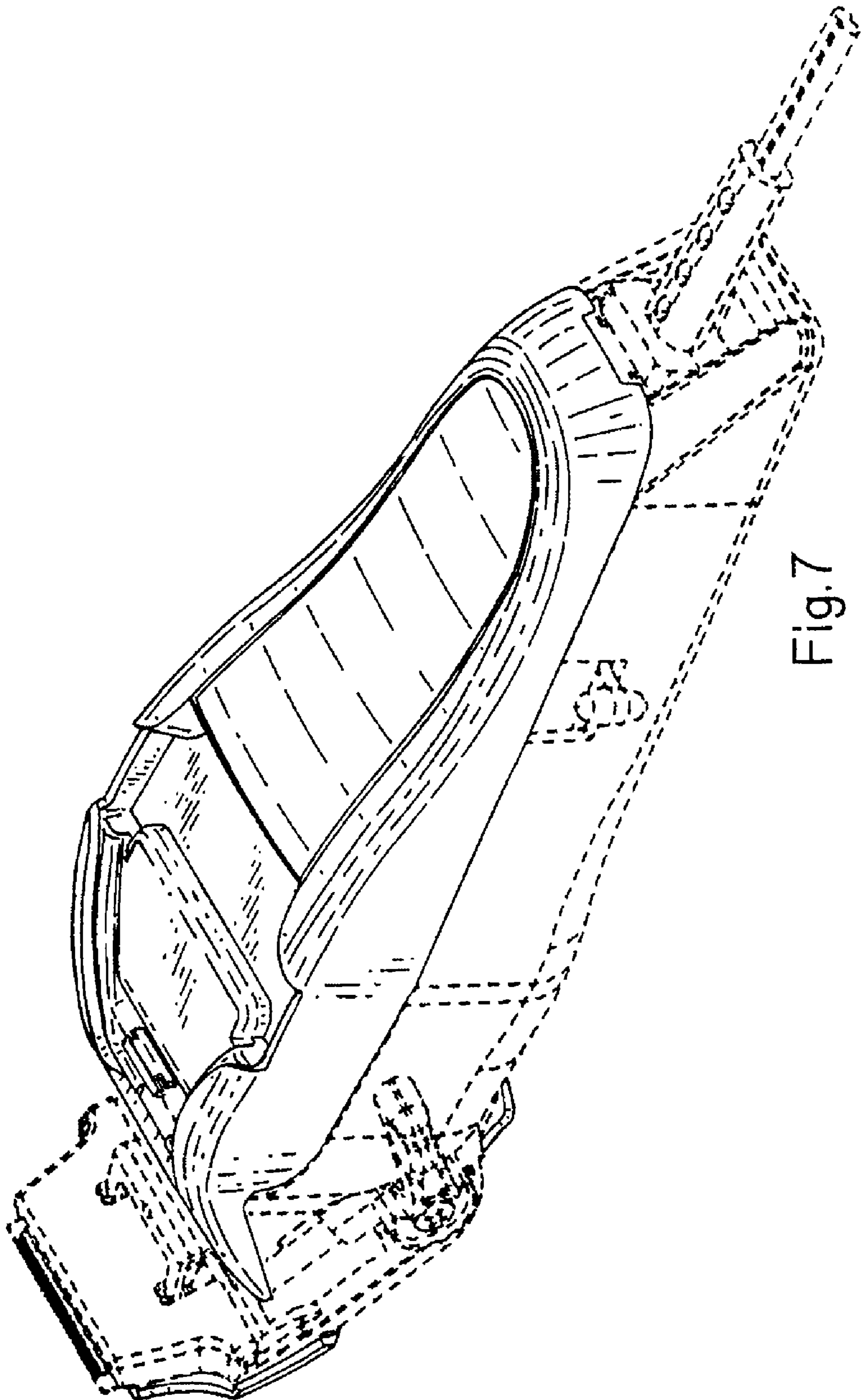
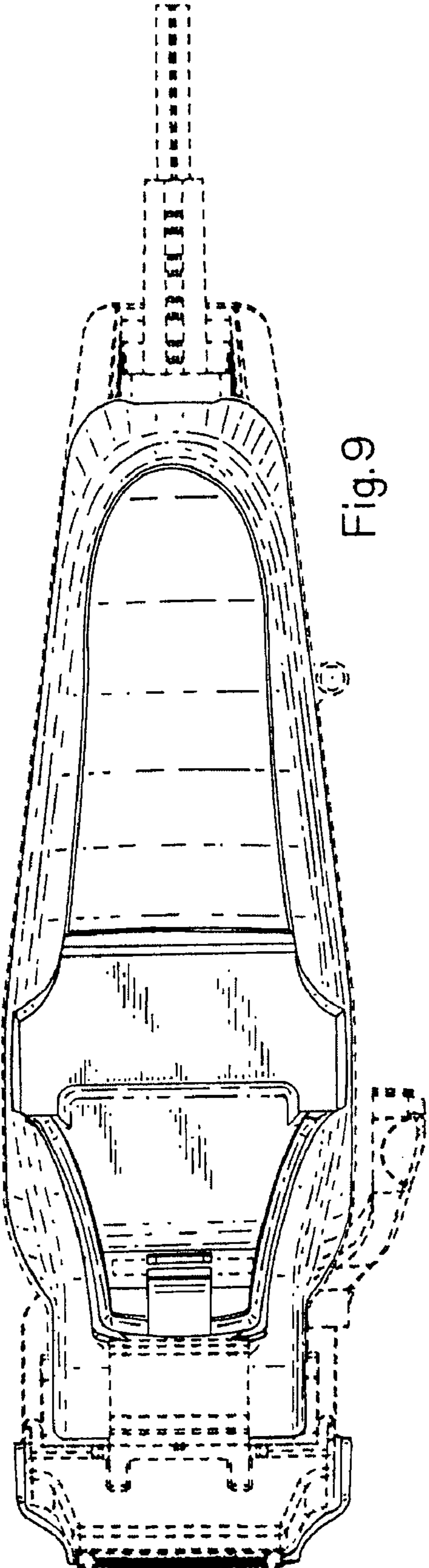
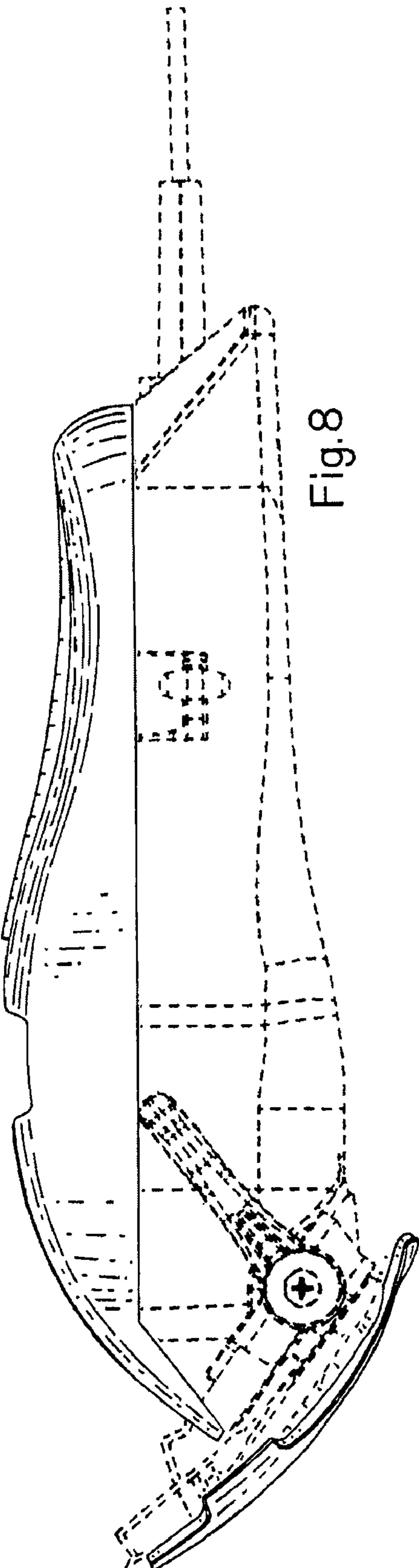


Fig. 7



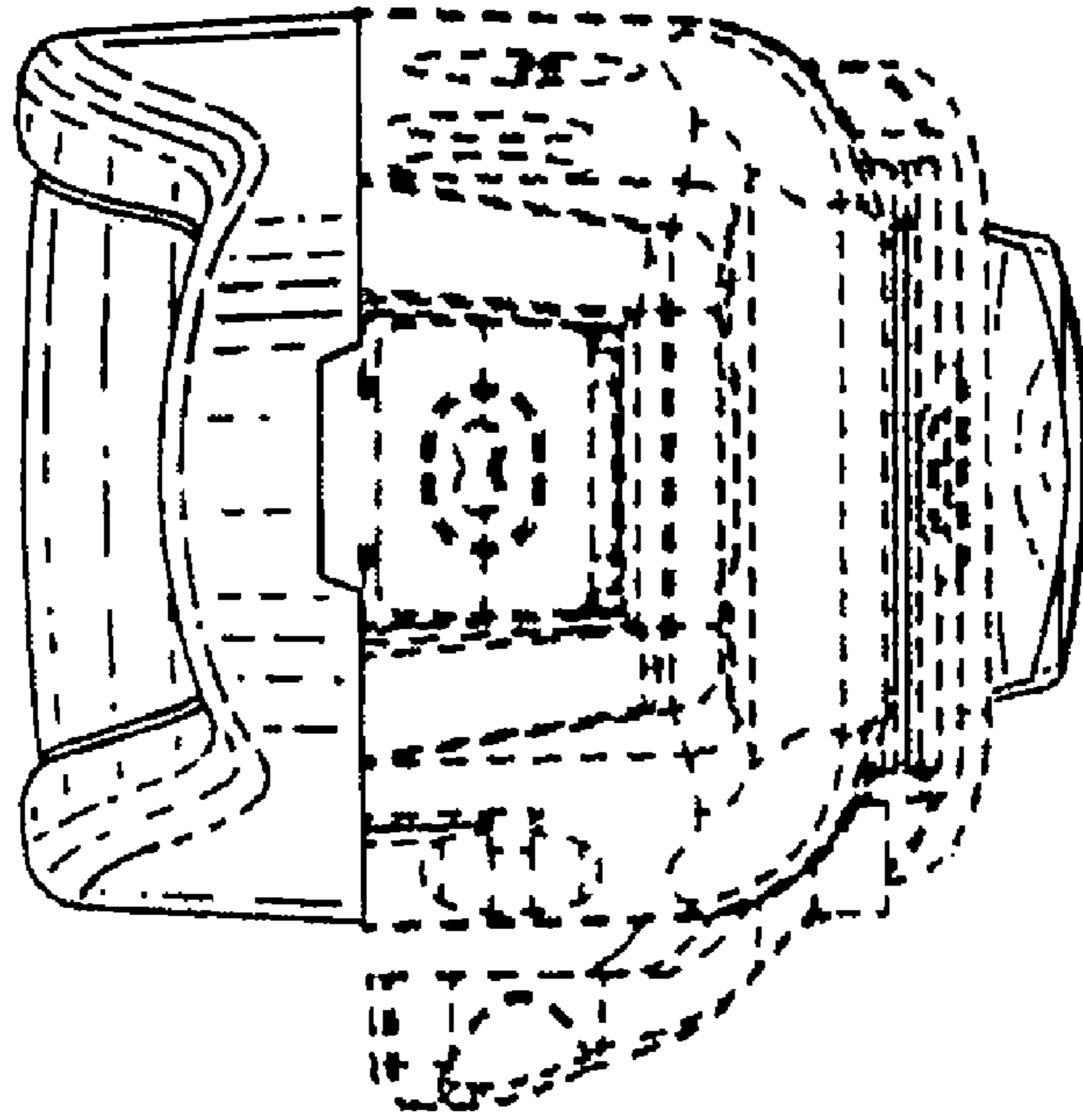


Fig.11

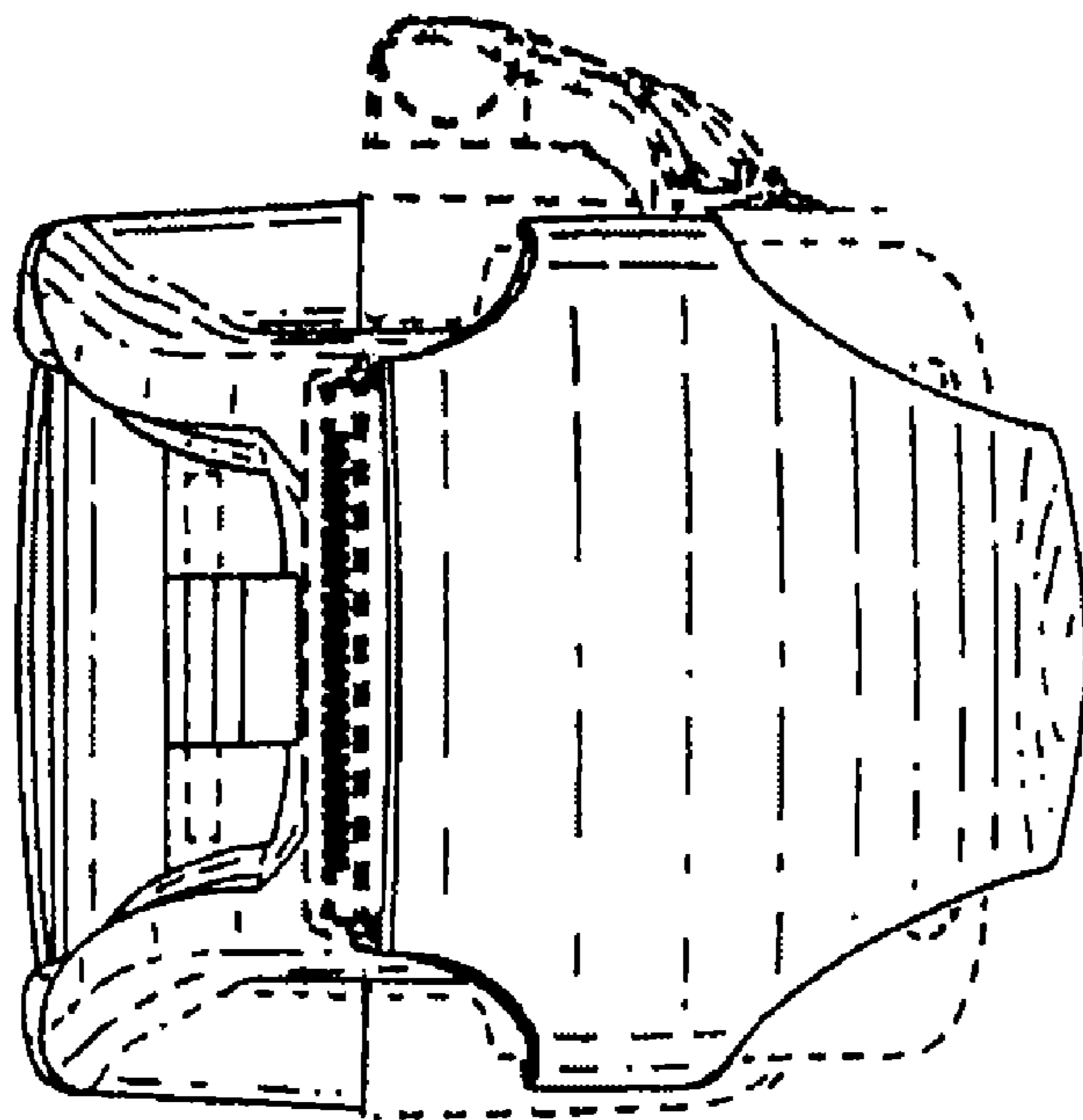


Fig.10



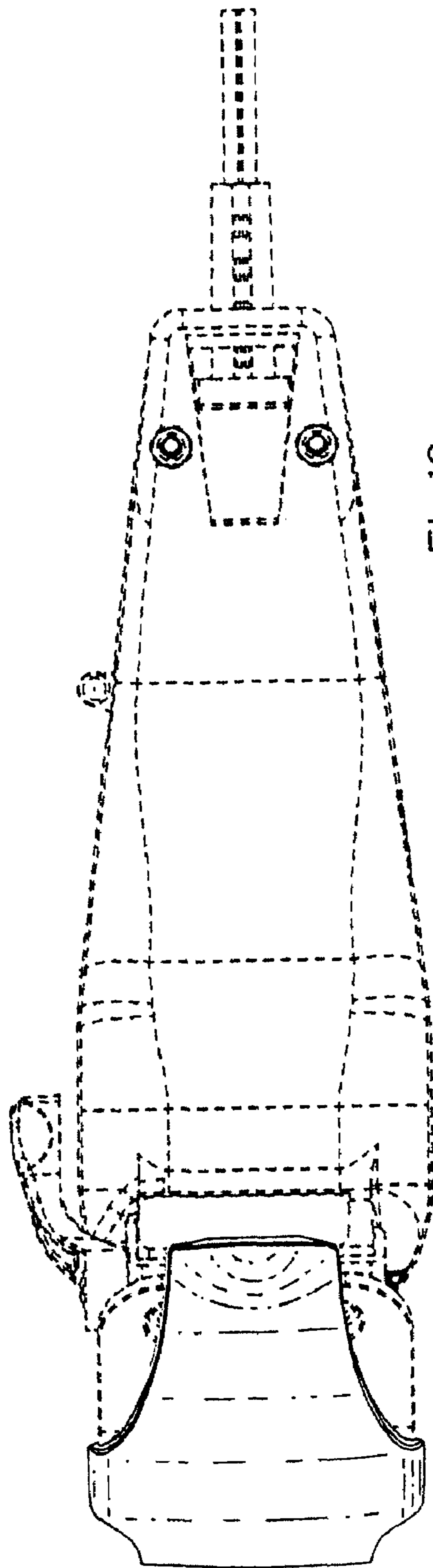


Fig.12

UNITED STATES PATENT AND TRADEMARK OFFICE  
**CERTIFICATE OF CORRECTION**

PATENT NO. : Des. 577,865 S  
APPLICATION NO. : 29/288714  
DATED : September 30, 2008  
INVENTOR(S) : Long et al.

Page 1 of 1

It is certified that error appears in the above-identified patent and that said Letters Patent is hereby corrected as shown below:

ON THE FACE:

In the first column, No. (54) in the Title:

Please delete "CHAIR"

Signed and Sealed this

Twenty-third Day of December, 2008

A handwritten signature in black ink that reads "Jon W. Dudas". The signature is written in a cursive style with a large, looped initial "J".

JON W. DUDAS

*Director of the United States Patent and Trademark Office*