



US00D577863S

(12) **United States Design Patent**
Kubono et al.

(10) **Patent No.:** **US D577,863 S**
(45) **Date of Patent:** **** Sep. 30, 2008**

(54) **ELECTRIC SHAVER**

(75) Inventors: **Kazuma Kubono**, Ageo (JP); **Keiko Ohta**, Ichikawa (JP)

(73) Assignee: **Matsushita Electric Works, Ltd.**, Osaka (JP)

(**) Term: **14 Years**

(21) Appl. No.: **29/294,133**

(22) Filed: **Dec. 21, 2007**

(30) **Foreign Application Priority Data**

Jun. 28, 2007 (JP) 2007-017330

(51) **LOC (8) Cl.** **28-03**

(52) **U.S. Cl.** **D28/49**

(58) **Field of Classification Search** 30/30,
30/32, 34.05, 34.1–34.2, 44–45, 43–43.92,
30/47–51, 57–58, 526–527, 532–533; D28/49–54
See application file for complete search history.

(56) **References Cited**

U.S. PATENT DOCUMENTS

D502,785 S *	3/2005	Leventhal	D28/51
D523,174 S	6/2006	Ohta et al.		
D523,584 S *	6/2006	Ohta	D28/44.1
D527,844 S *	9/2006	Leventhal et al.	D28/51
D530,449 S *	10/2006	Kling	D28/44.1
D539,979 S *	4/2007	Ohta	D28/44.1
D558,397 S *	12/2007	Seki et al.	D28/44.1

* cited by examiner

Primary Examiner—Jennifer Rivard
(74) *Attorney, Agent, or Firm*—Osha•Liang LLP

(57) **CLAIM**

The ornamental design for an electric shaver, as shown and described.

DESCRIPTION

FIG. 1 is a front, perspective view of the design according to the invention.

FIG. 2 is a rear, perspective view of the design according to the invention.

FIG. 3 is a front view of the design according to the invention.

FIG. 4 is a right side view of the design according to the invention.

FIG. 5 is a top view of the design according to the invention.

FIG. 6 is a rear view of the design according to the invention.

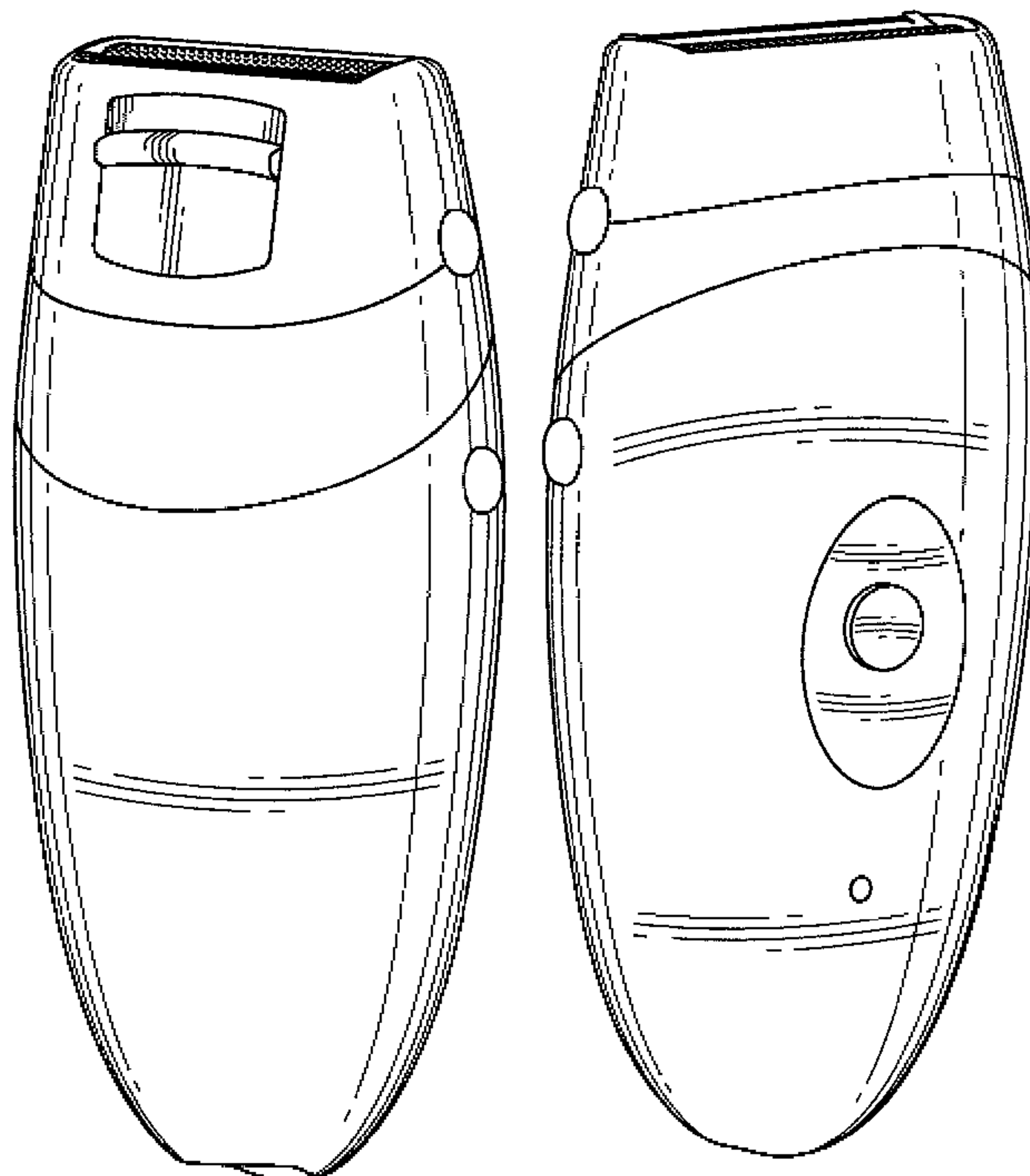
FIG. 7 is a left side view of the design according to the invention.

FIG. 8 is a bottom view of the design according to the invention; and,

FIG. 9 is an enlarged top view of the design as shown in FIG. 5 according to the invention.

The elements shown in broken lines are for illustrative purposes only and form no part of the claimed invention.

1 Claim, 5 Drawing Sheets



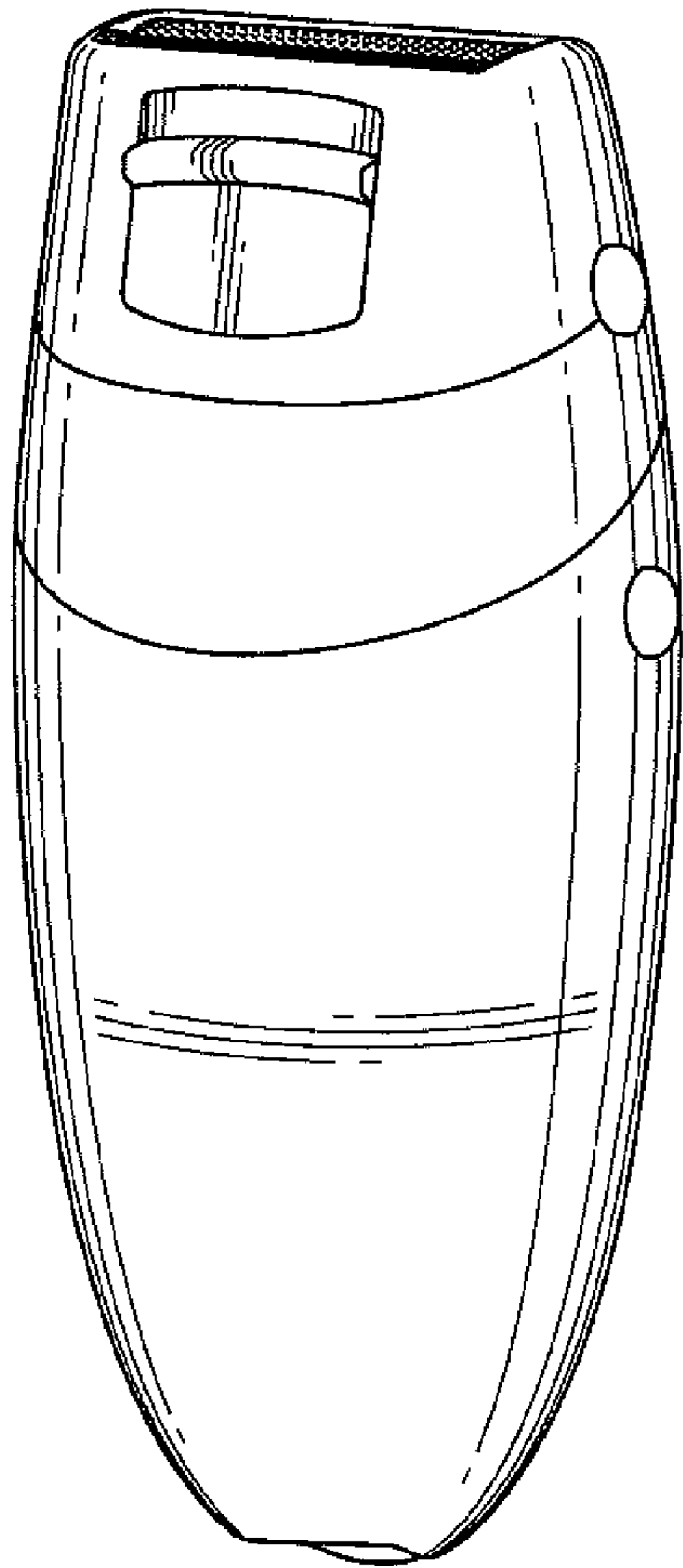


FIG. 1

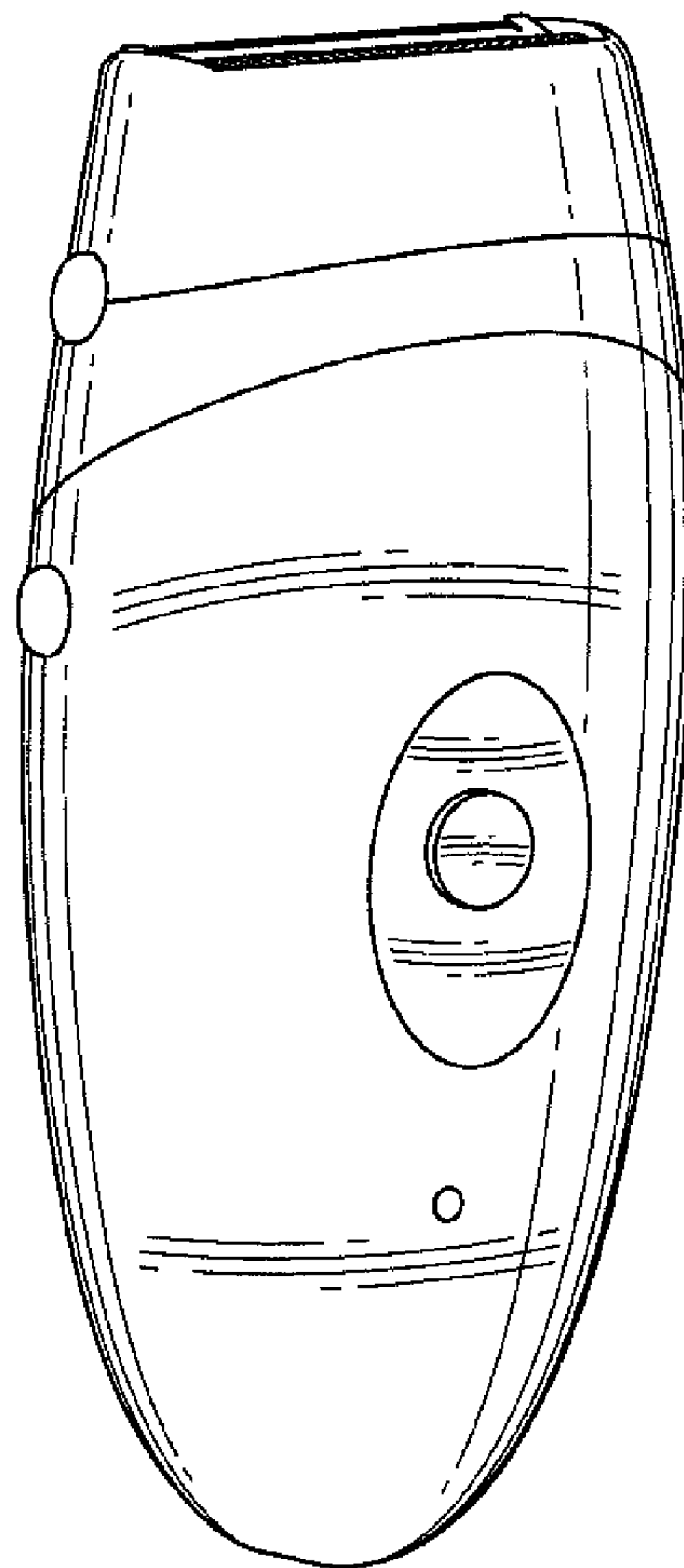


FIG. 2

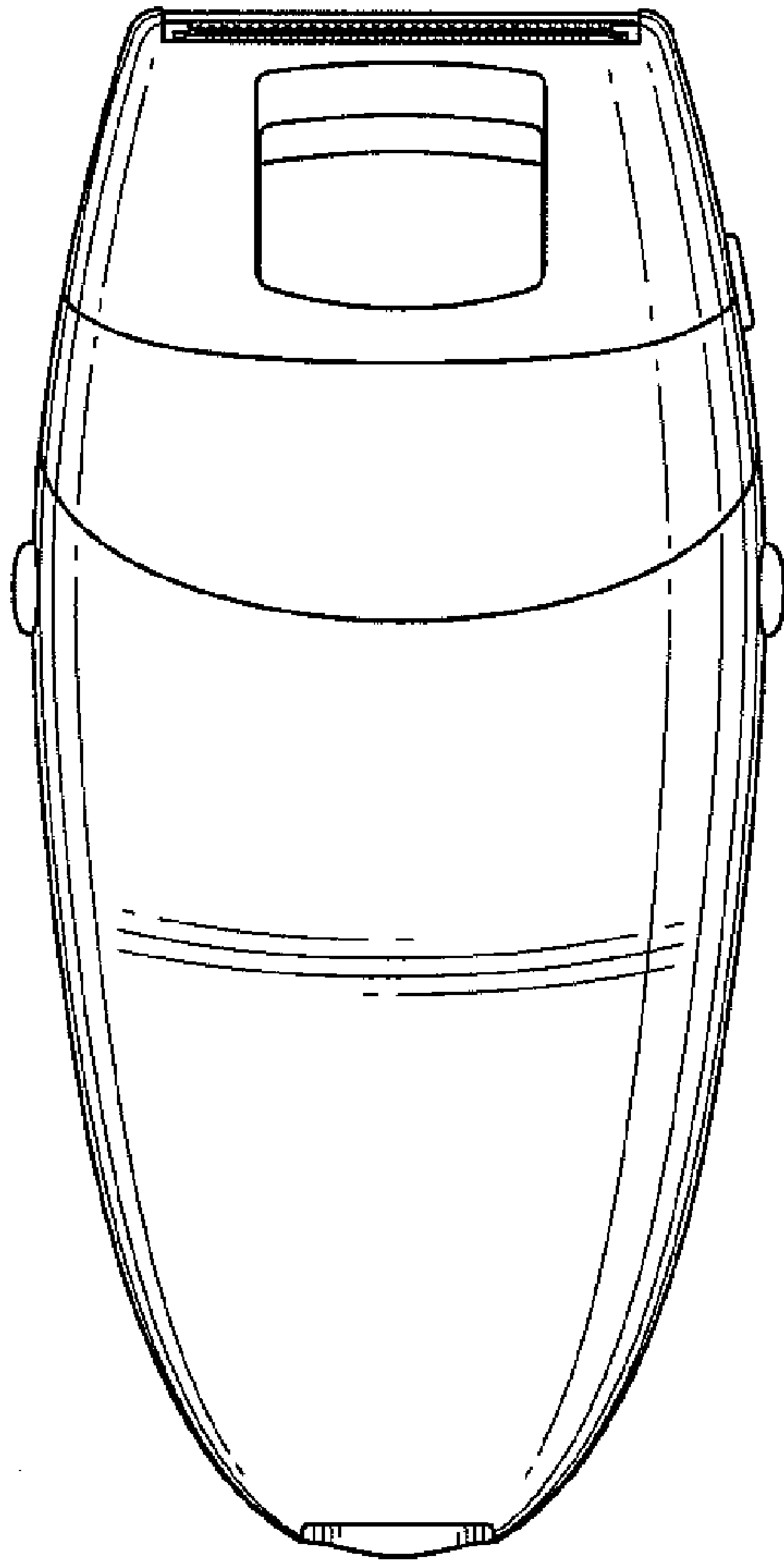


FIG. 3

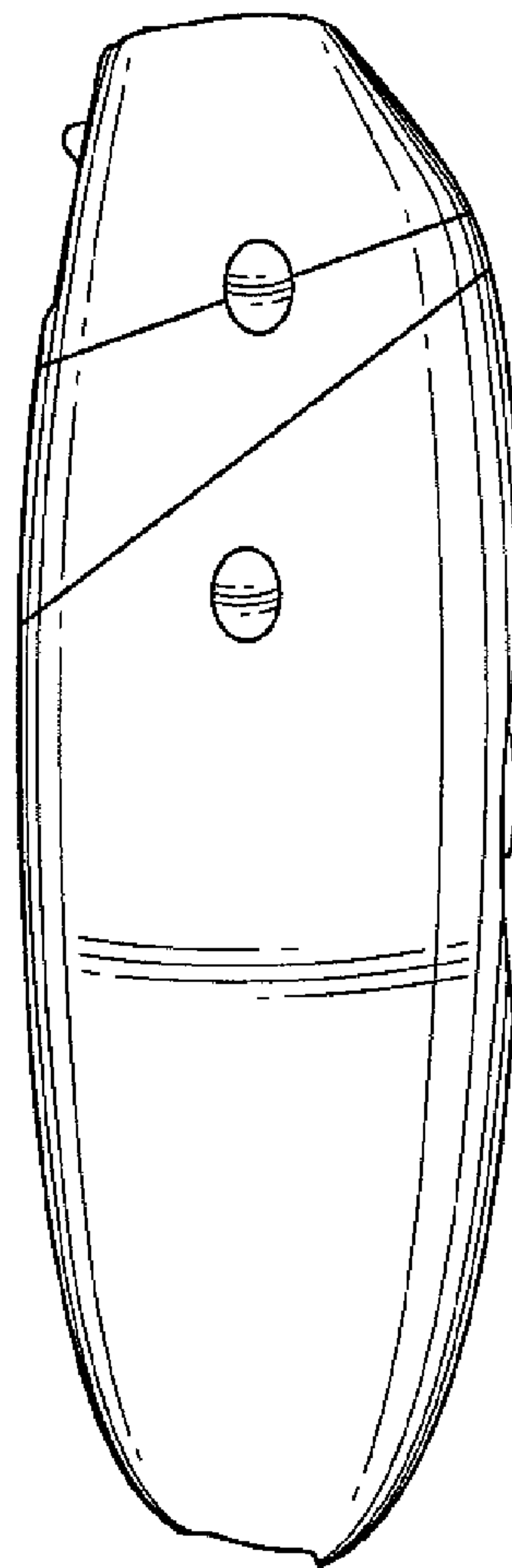


FIG. 4

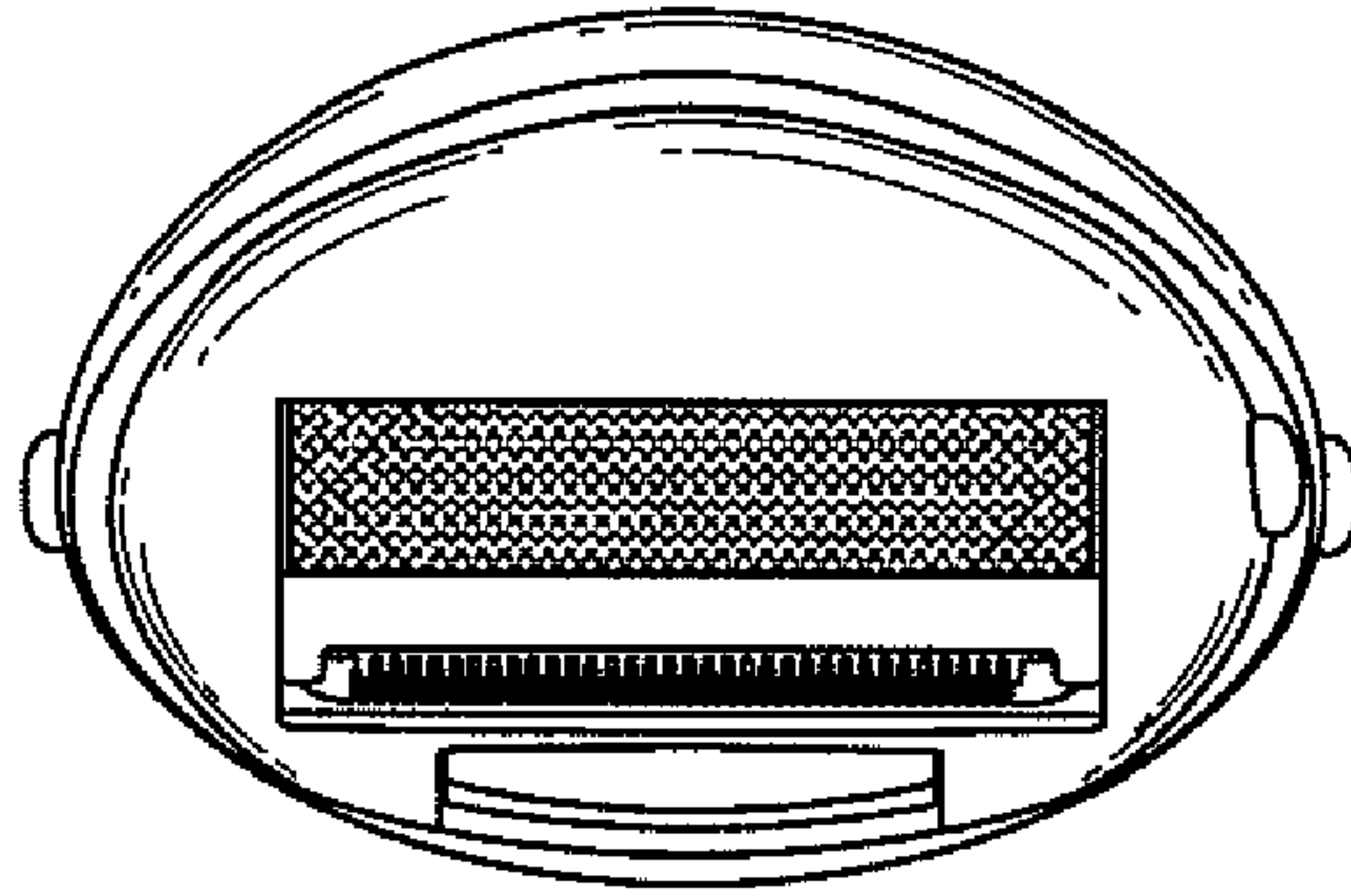


FIG. 5

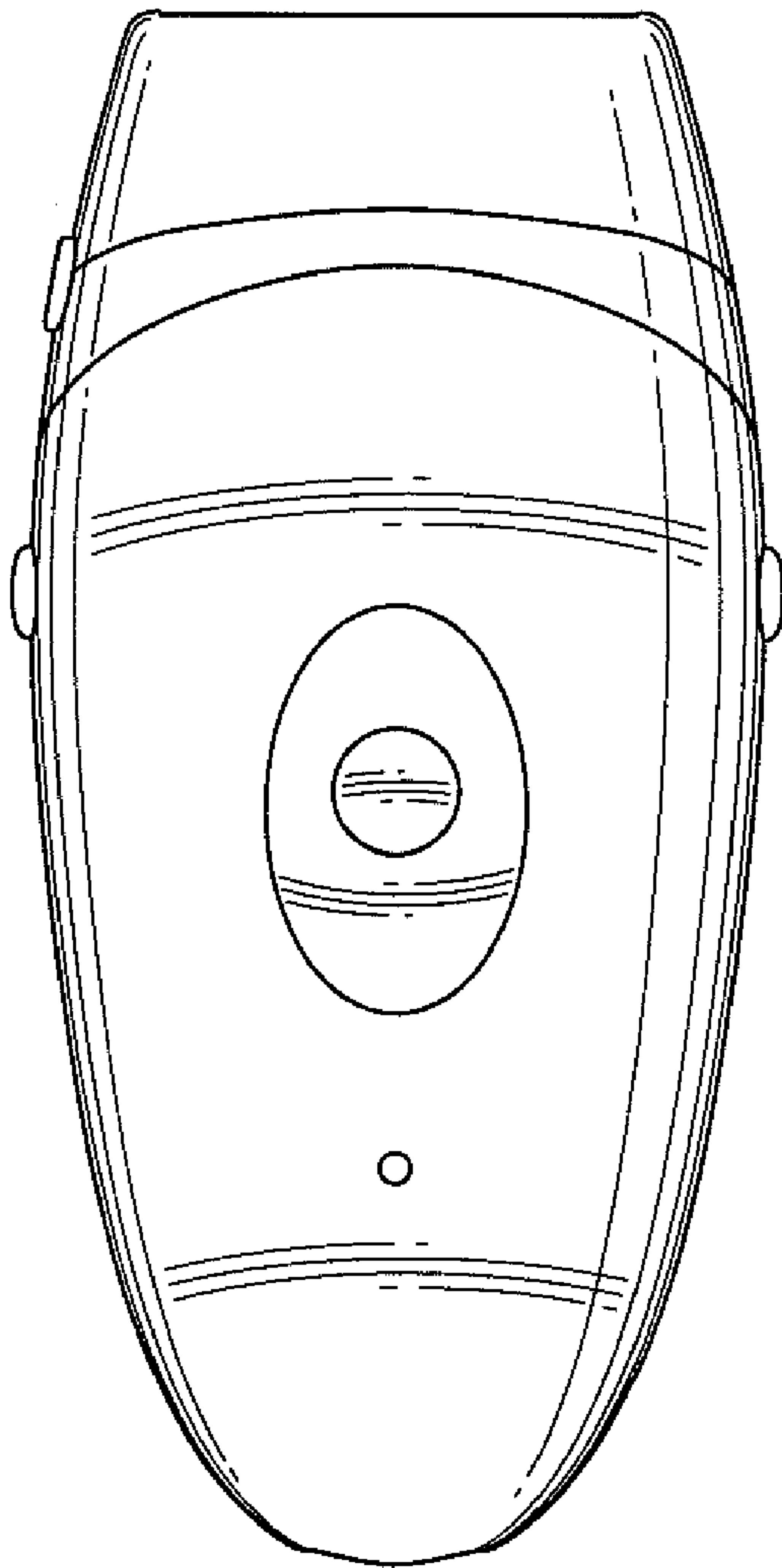


FIG. 6

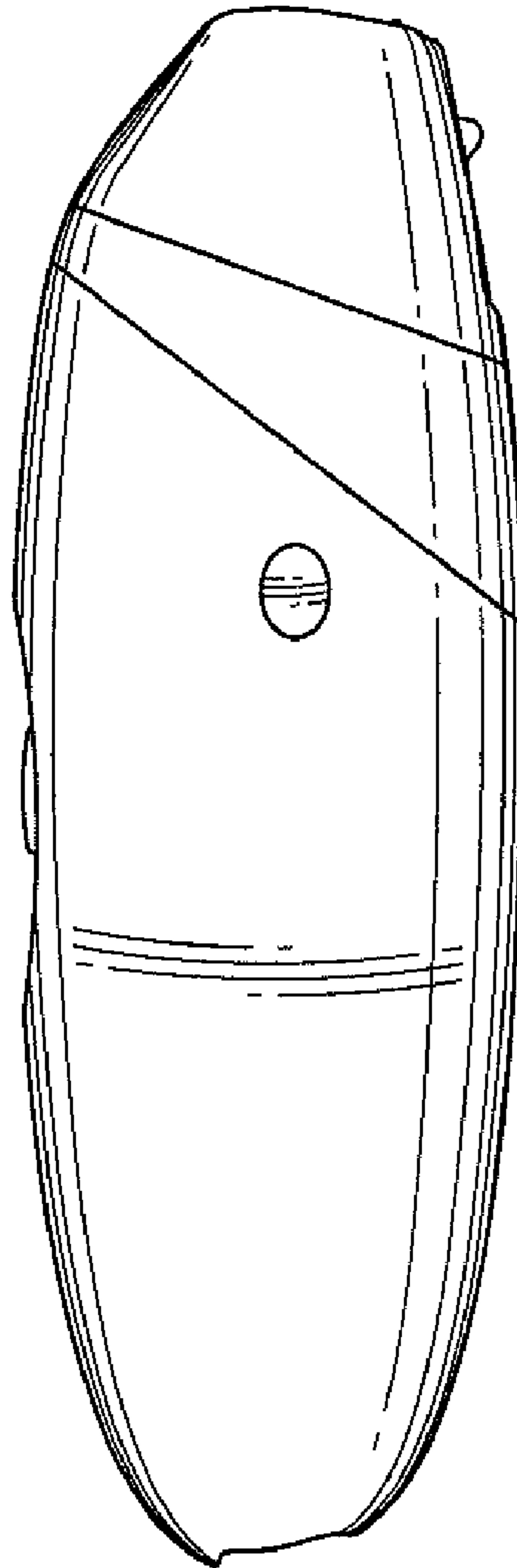


FIG. 7

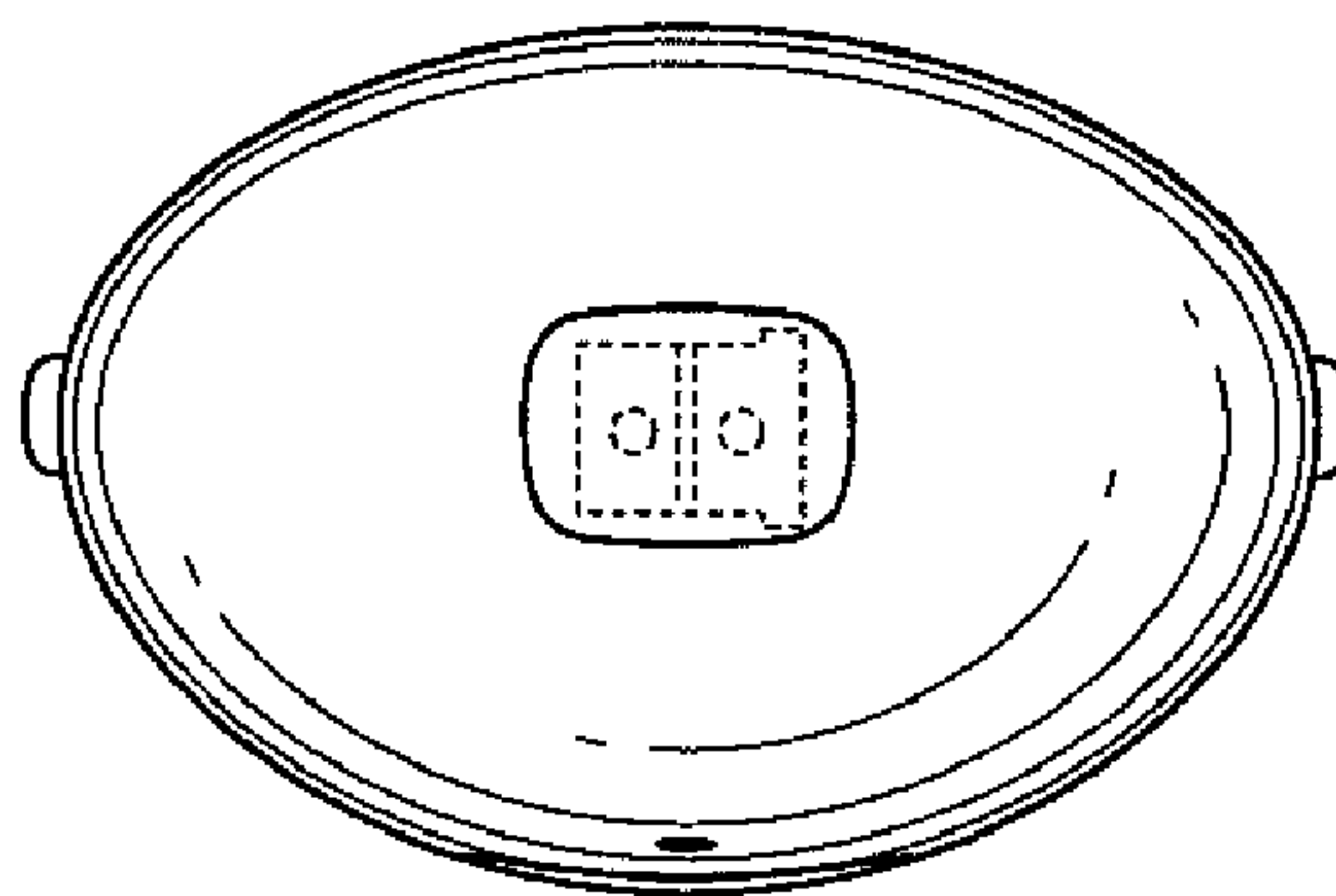


FIG. 8

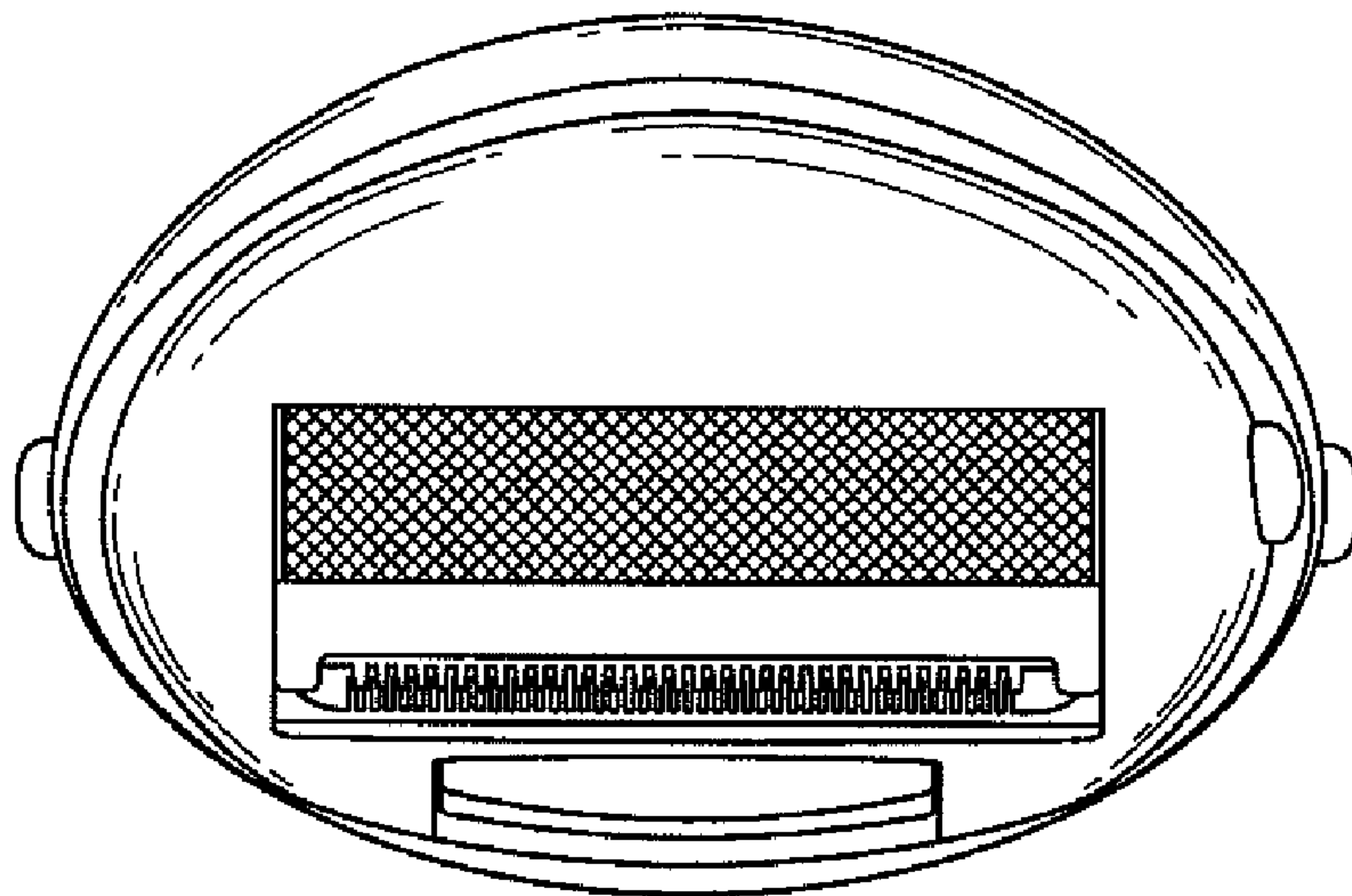


FIG. 9