



US00D577861S

(12) **United States Design Patent**  
**Leung**

(10) **Patent No.:** **US D577,861 S**

(45) **Date of Patent:** **\*\* Sep. 30, 2008**

(54) **HAIR DRYER**

(75) Inventor: **Anthony Kit Lun Leung**, North Point  
(CN)

(73) Assignee: **Conair Corporation**, Stamford, CT  
(US)

(\*\*) Term: **14 Years**

(21) Appl. No.: **29/285,173**

(22) Filed: **Mar. 22, 2007**

(51) **LOC (8) Cl.** ..... **28-03**

(52) **U.S. Cl.** ..... **D28/13**

(58) **Field of Classification Search** ..... D28/12-19;  
392/380-385; 219/222

See application file for complete search history.

(56) **References Cited**

**U.S. PATENT DOCUMENTS**

D456,562 S *	4/2002	Micinilio et al.	.....	D28/13
D456,943 S *	5/2002	Micinilio et al.	.....	D28/13
D457,266 S *	5/2002	Yeung	.....	D28/13
D460,214 S *	7/2002	Parodi	.....	D28/13
D474,858 S *	5/2003	Harris et al.	.....	D28/13
D479,358 S *	9/2003	Yeung	.....	D28/13
D518,919 S *	4/2006	Parodi	.....	D28/13

D528,698 S *	9/2006	Rizzuto, Jr.	.....	D28/13
D559,443 S *	1/2008	Smith et al.	.....	D28/13
2003/0041471 A1 *	3/2003	Shaw	.....	34/96

\* cited by examiner

*Primary Examiner*—Janice E. Seeger

*Assistant Examiner*—Zenia I Bennett

(74) *Attorney, Agent, or Firm*—Lawrence Cruz

(57) **CLAIM**

The ornamental design for a hair dryer, as shown and described.

**DESCRIPTION**

FIG. 1 is a perspective view of a hair dryer showing my new design;

FIG. 2 is a right side view thereof;

FIG. 3 is a left side view thereof;

FIG. 4 is a front view thereof;

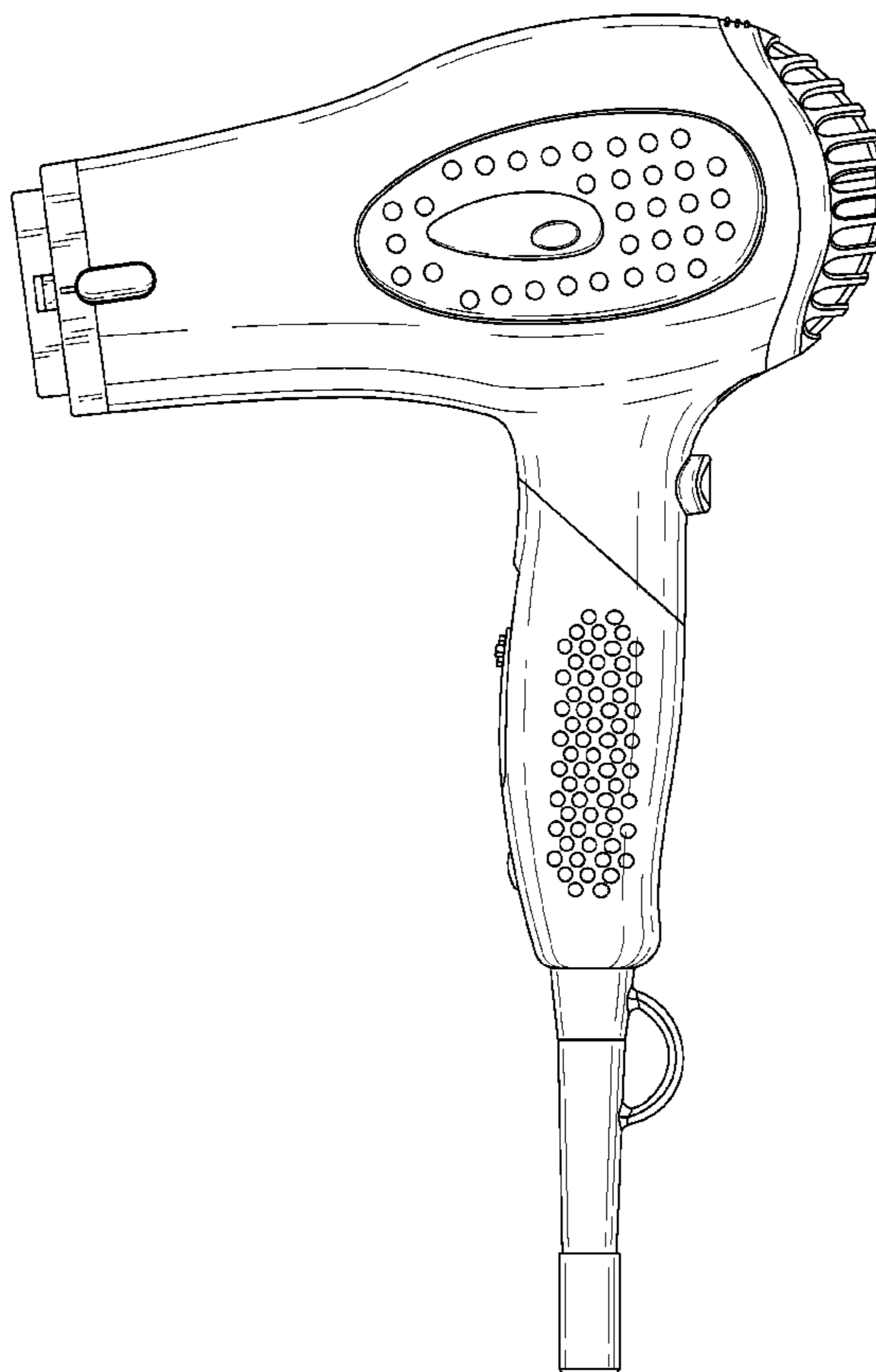
FIG. 5 is a top view thereof;

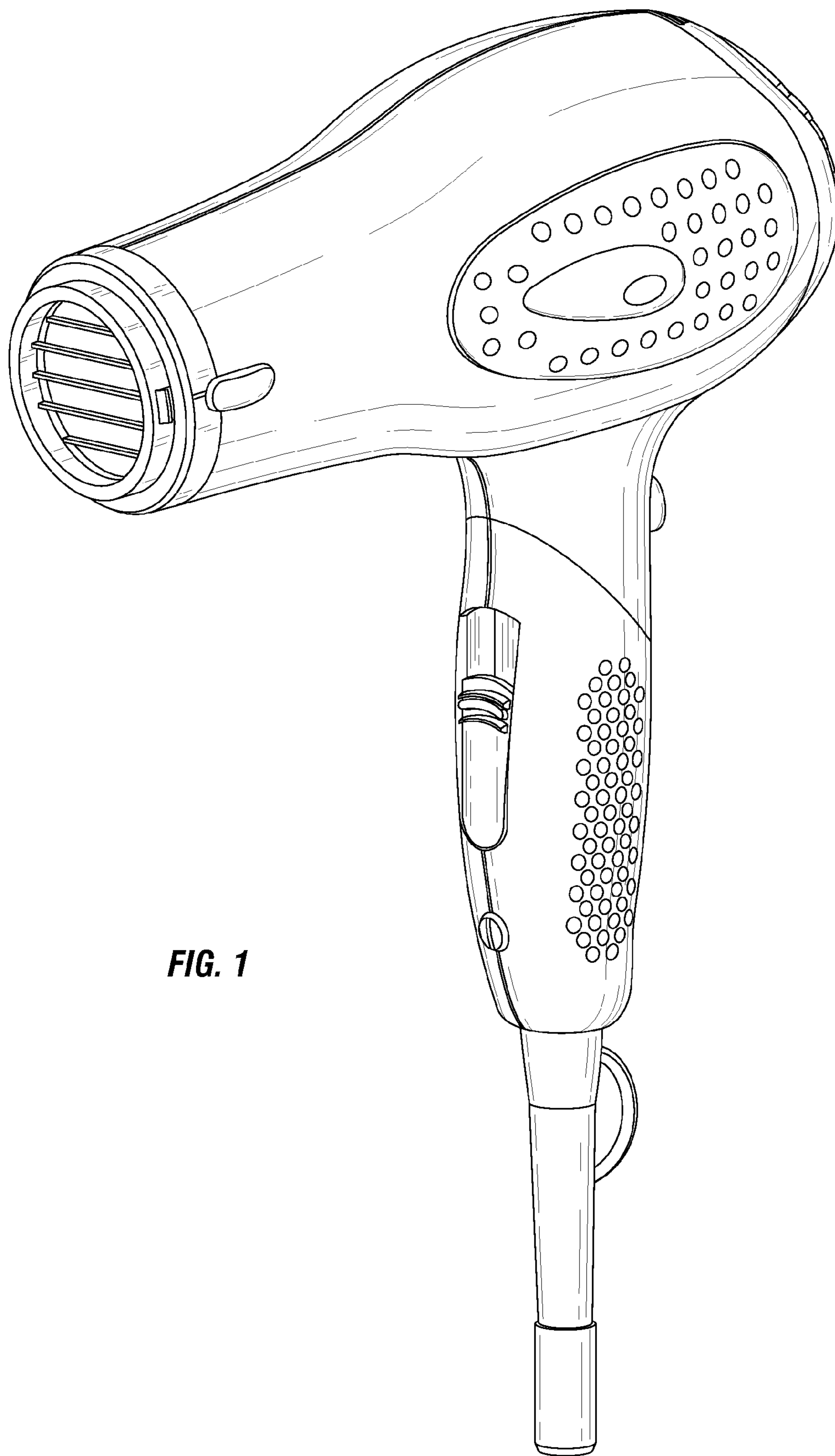
FIG. 6 is a rear view thereof; and,

FIG. 7 is a bottom view.

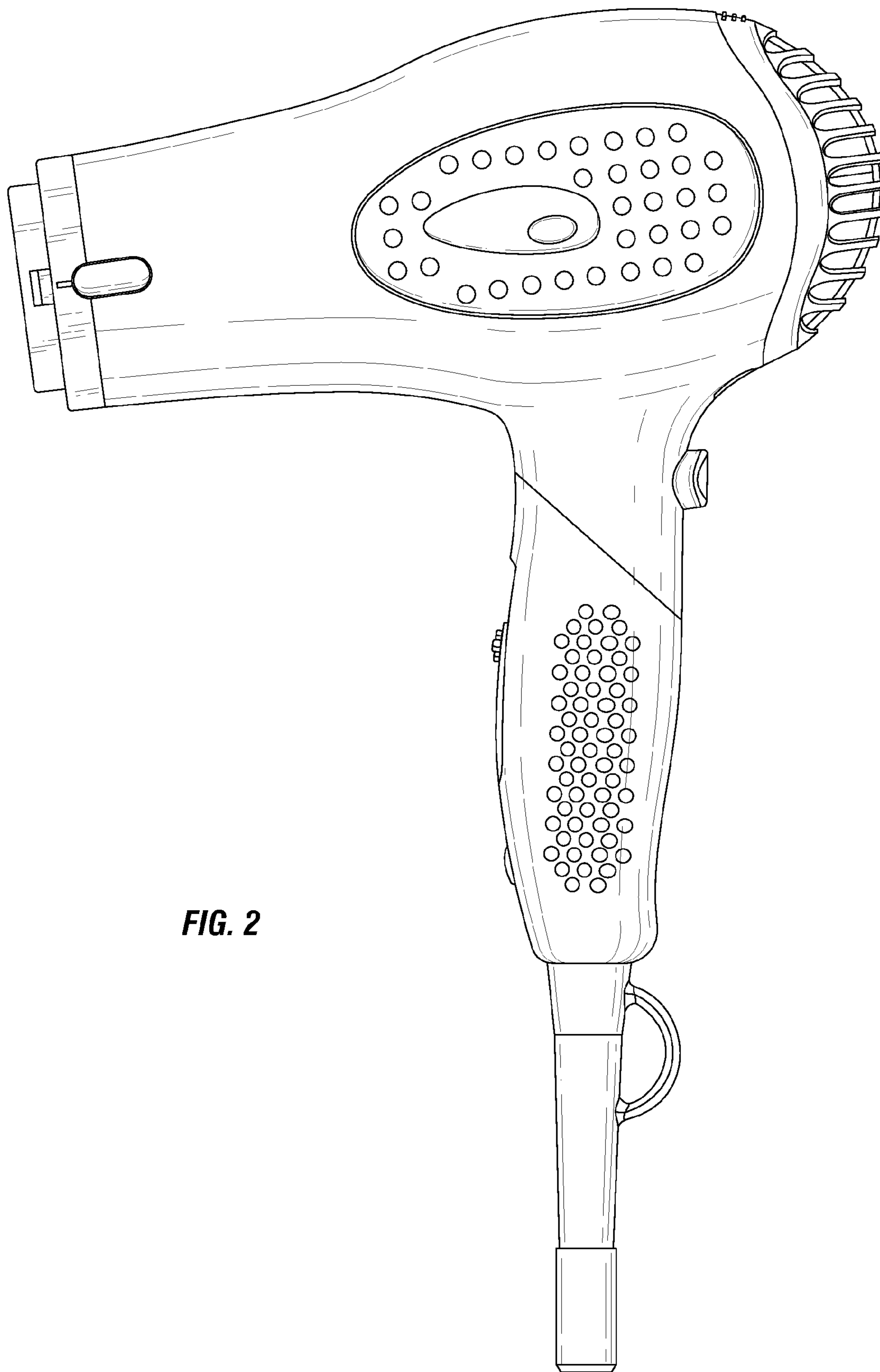
The broken lines are shown for illustrative purposes only and form no part of the claimed design.

**1 Claim, 7 Drawing Sheets**

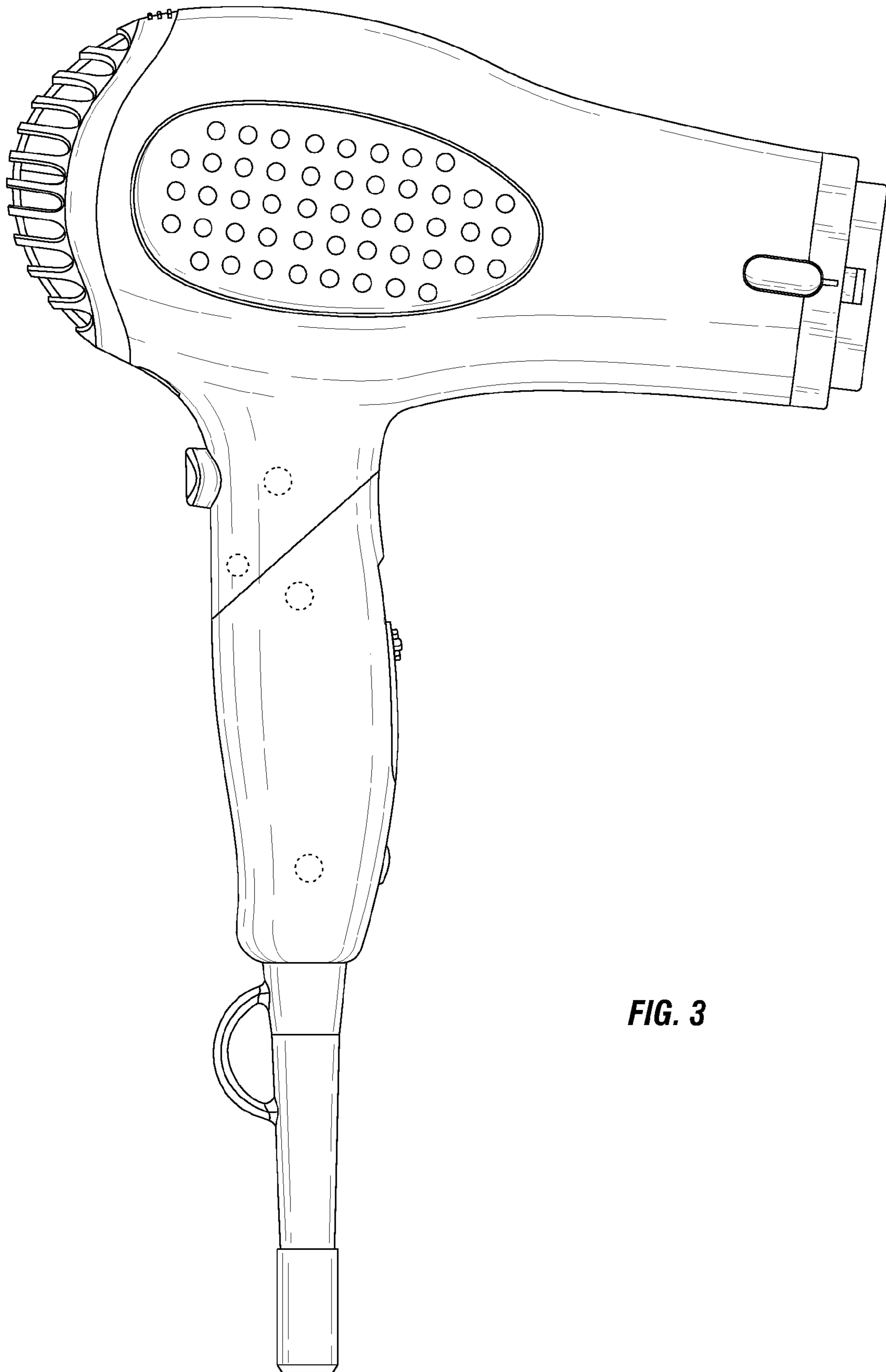




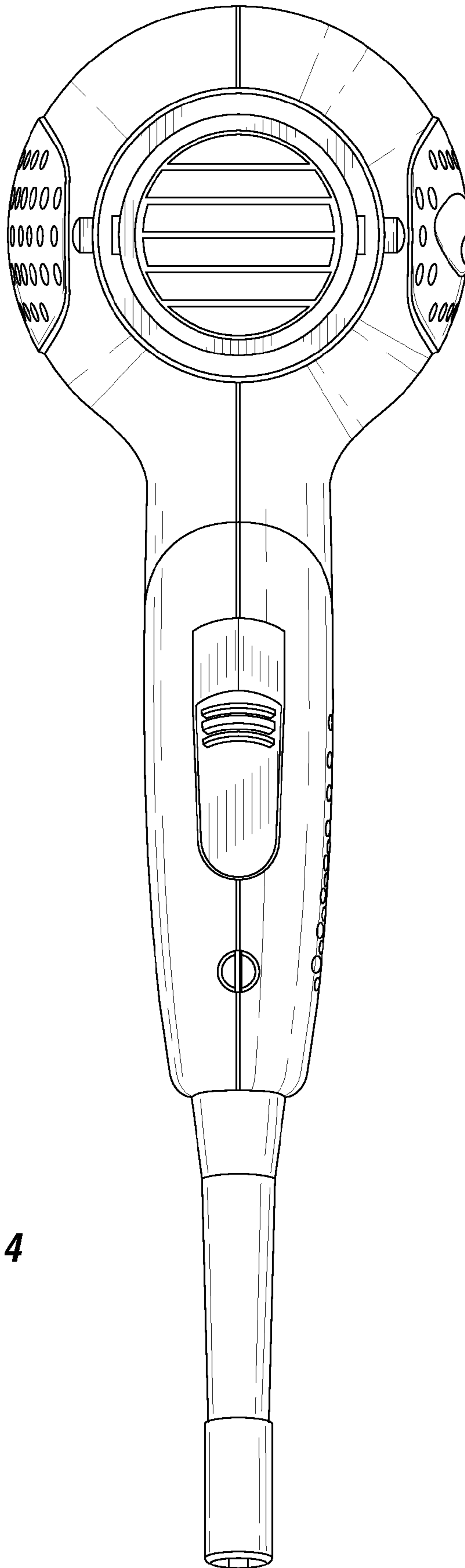
**FIG. 1**



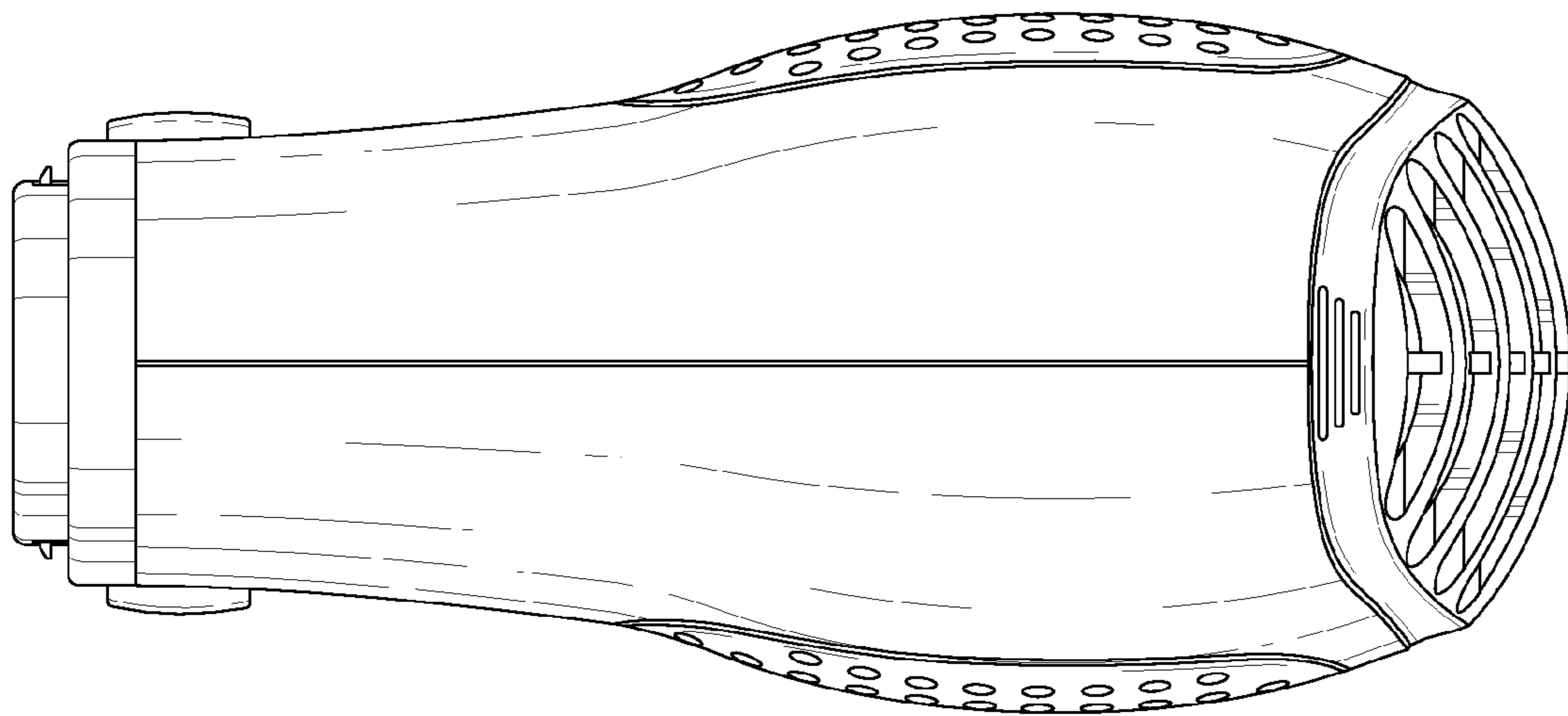
**FIG. 2**



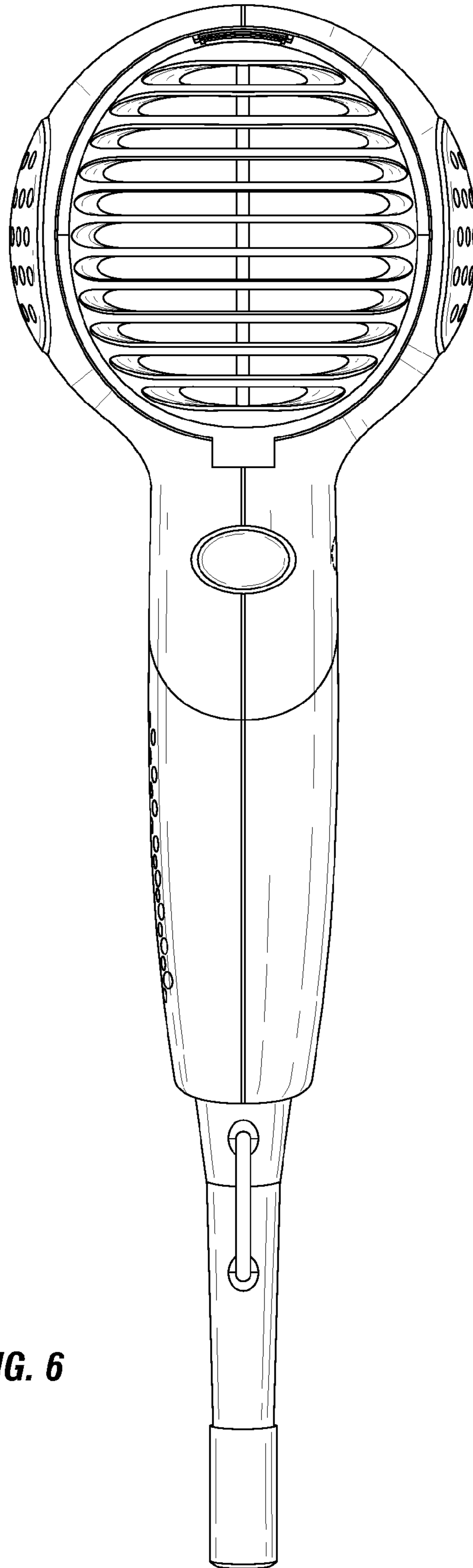
**FIG. 3**



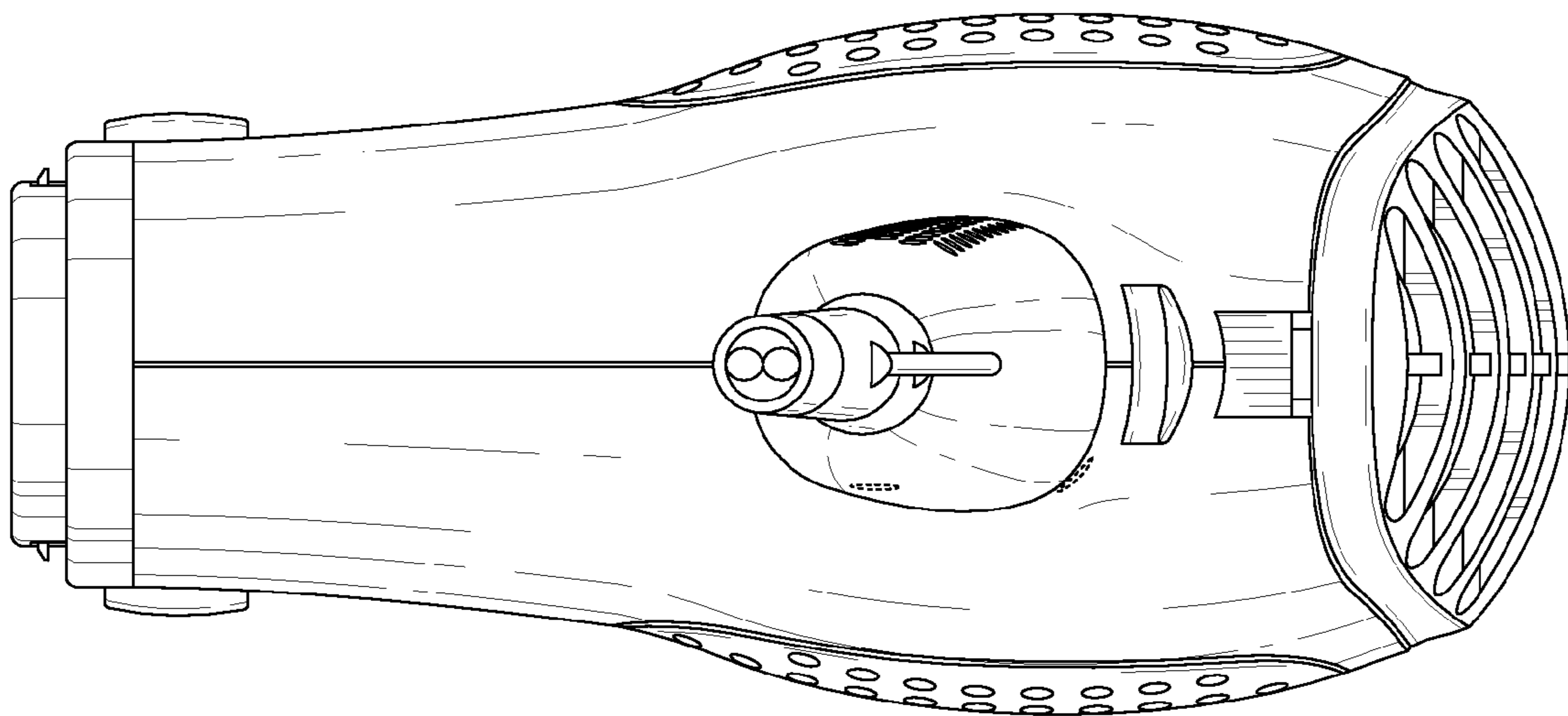
**FIG. 4**



**FIG. 5**



**FIG. 6**



**FIG. 7**