



US00D577859S

(12) **United States Design Patent**  
**Chandler**

(10) **Patent No.:** **US D577,859 S**

(45) **Date of Patent:** **\*\* Sep. 30, 2008**

(54) **LAMP**

(75) Inventor: **George Chandler**, Hubbardton, VT (US)

(73) Assignee: **Hubbardton Forge, LLC**, Castleton, VT (US)

(\*\*) Term: **14 Years**

(21) Appl. No.: **29/298,643**

(22) Filed: **Dec. 10, 2007**

(51) **LOC (8) Cl.** ..... **26-99**

(52) **U.S. Cl.** ..... **D26/142**

(58) **Field of Classification Search** ..... D26/93,  
D26/94, 110, 51, 107, 105, 97, 103, 138,  
D26/24, 57, 112, 113, 142, 146, 147, 148,  
D26/149, 153; 362/287, 153, 181, 217, 257,  
362/382, 395, 410, 412, 441, 414, 416, 431;  
D14/217, 253

See application file for complete search history.

(56) **References Cited**

**U.S. PATENT DOCUMENTS**

D57,938 S *	5/1921	Smith	.....	D26/112
1,409,574 A *	3/1922	Rasmussen	.....	362/235
D63,321 S *	11/1923	Pirson	.....	D26/93
1,587,469 A *	6/1926	Campagna	.....	362/311
D145,340 S *	7/1946	Thodos	.....	D26/106
D148,033 S *	12/1947	MacQuarrie	.....	D26/93
D152,573 S *	2/1949	Schultz	.....	D26/110

D247,638 S *	3/1978	Kreusler	.....	D26/107
D259,061 S *	4/1981	Gray, Sr.	.....	D26/110
D464,455 S *	10/2002	Fong et al.	.....	D26/63
D476,439 S *	6/2003	O'Rourke	.....	D26/63
D536,474 S *	2/2007	Chandler	.....	D26/93
D543,656 S *	5/2007	Chandler	.....	D26/107

\* cited by examiner

*Primary Examiner*—Freda S. Nunn

*Assistant Examiner*—Kevin K Rudzinski

(74) *Attorney, Agent, or Firm*—Bourque and Associates PA

(57) **CLAIM**

The ornamental design for a lamp, as shown and described.

**DESCRIPTION**

FIG. 1 is a perspective view of the lamp according to the present invention;

FIG. 2 is a front elevation view of the lamp thereof;

FIG. 3 is a rear elevation view thereof;

FIG. 4 is a right elevation view thereof;

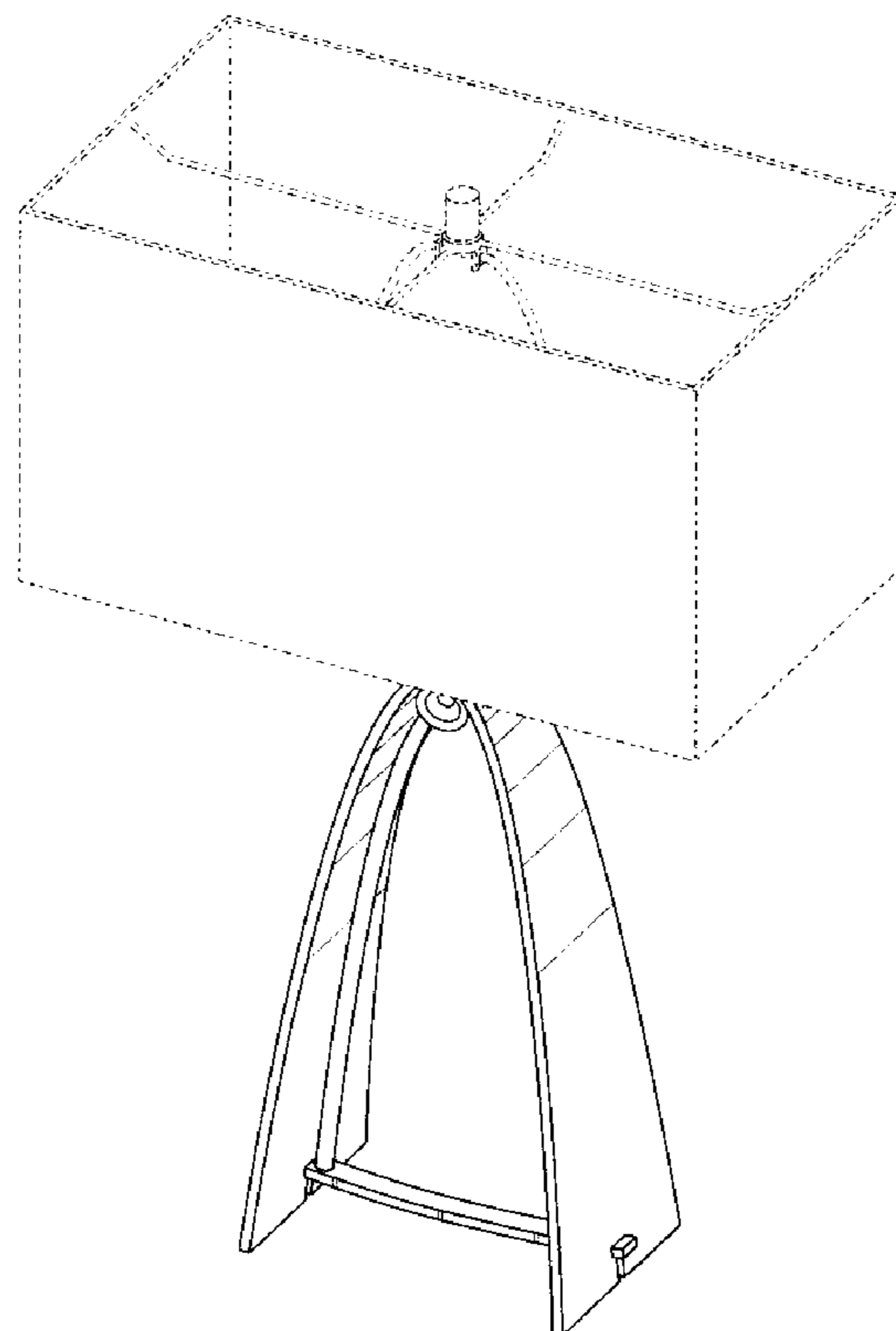
FIG. 5 is a left elevation view thereof;

FIG. 6 is a bottom plan view thereof; and,

FIG. 7 is a top plan view thereof.

The broken lines shown are for illustrative purposes only and form no part of the claimed design.

**1 Claim, 7 Drawing Sheets**



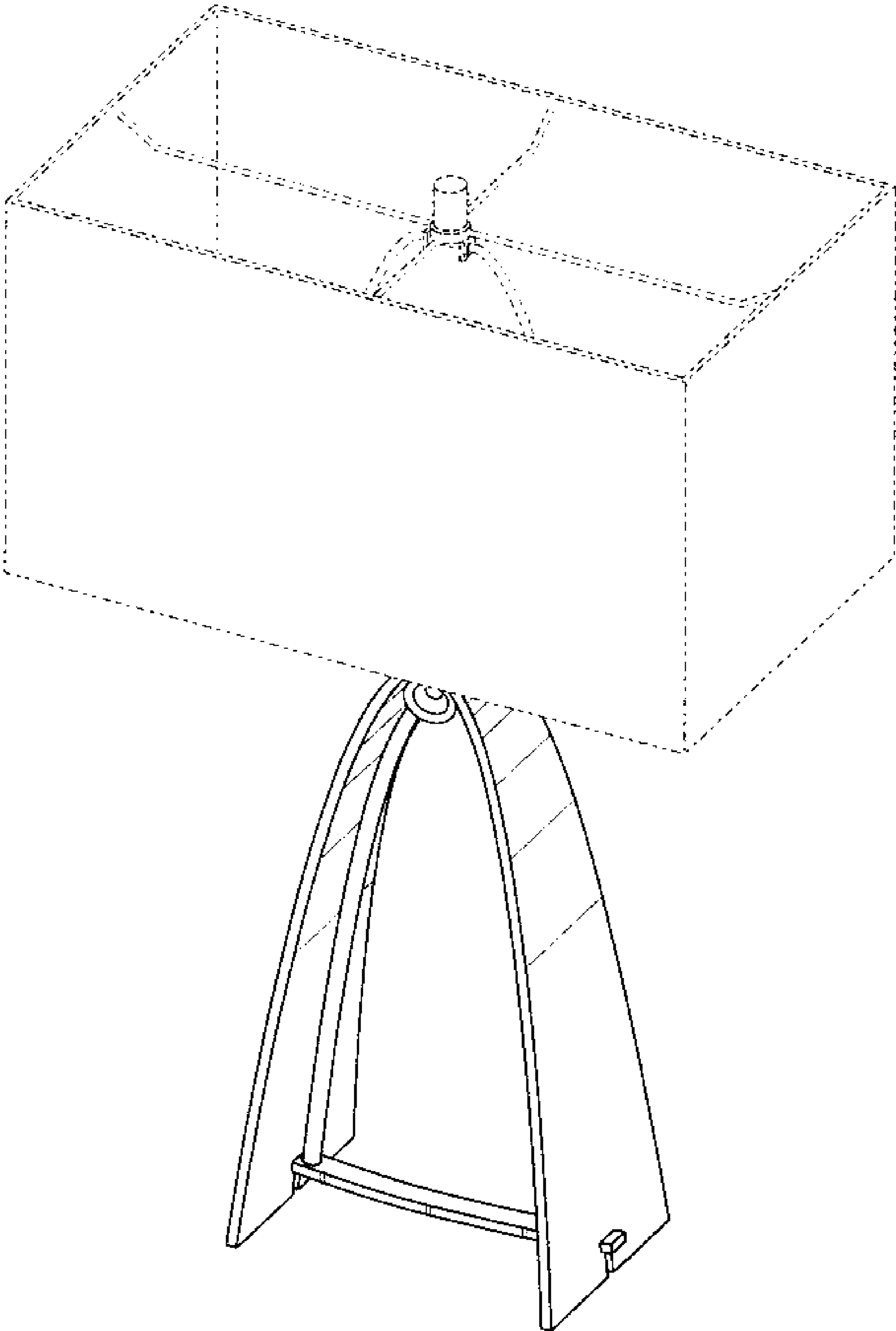


FIG. 1

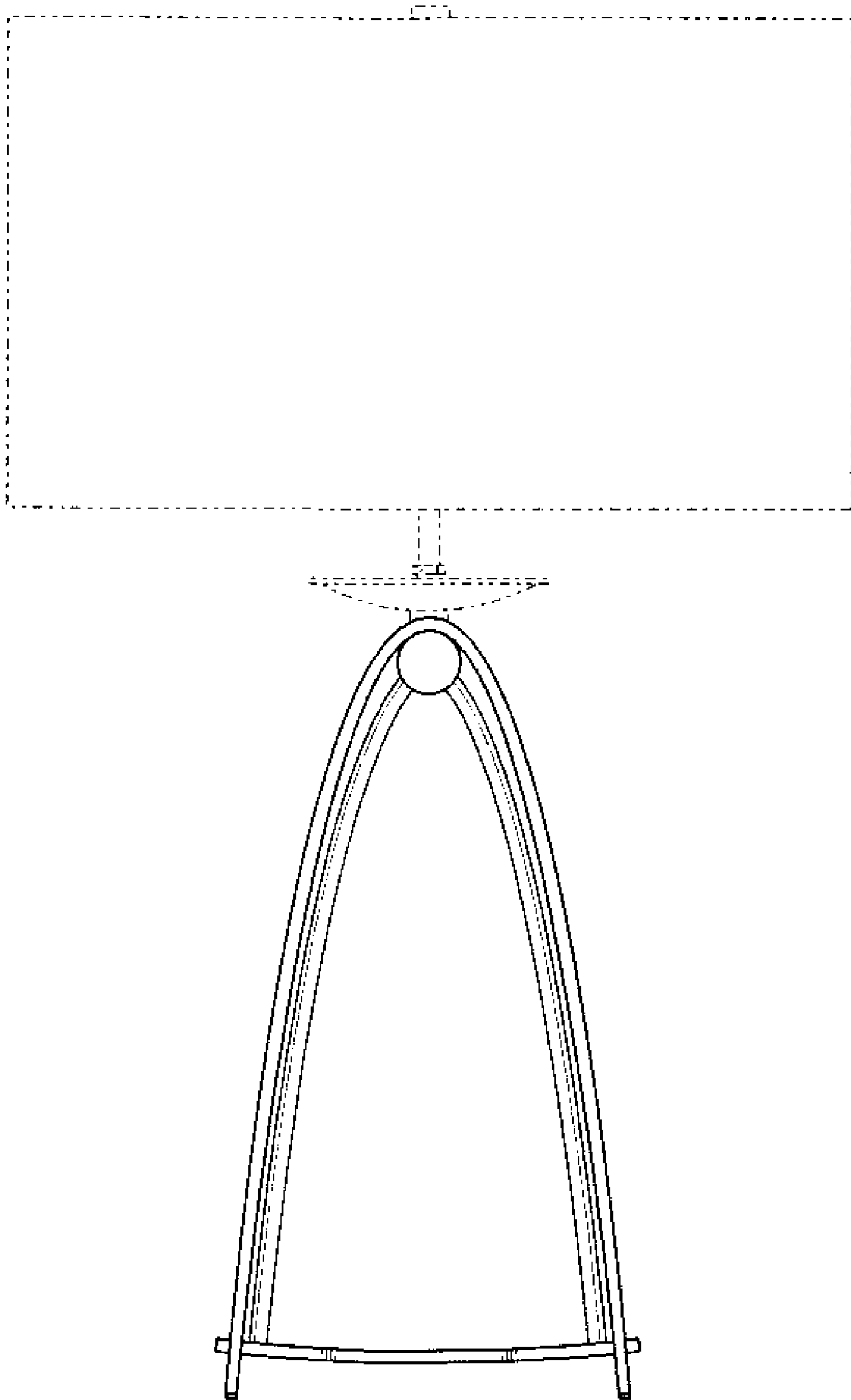


FIG. 2

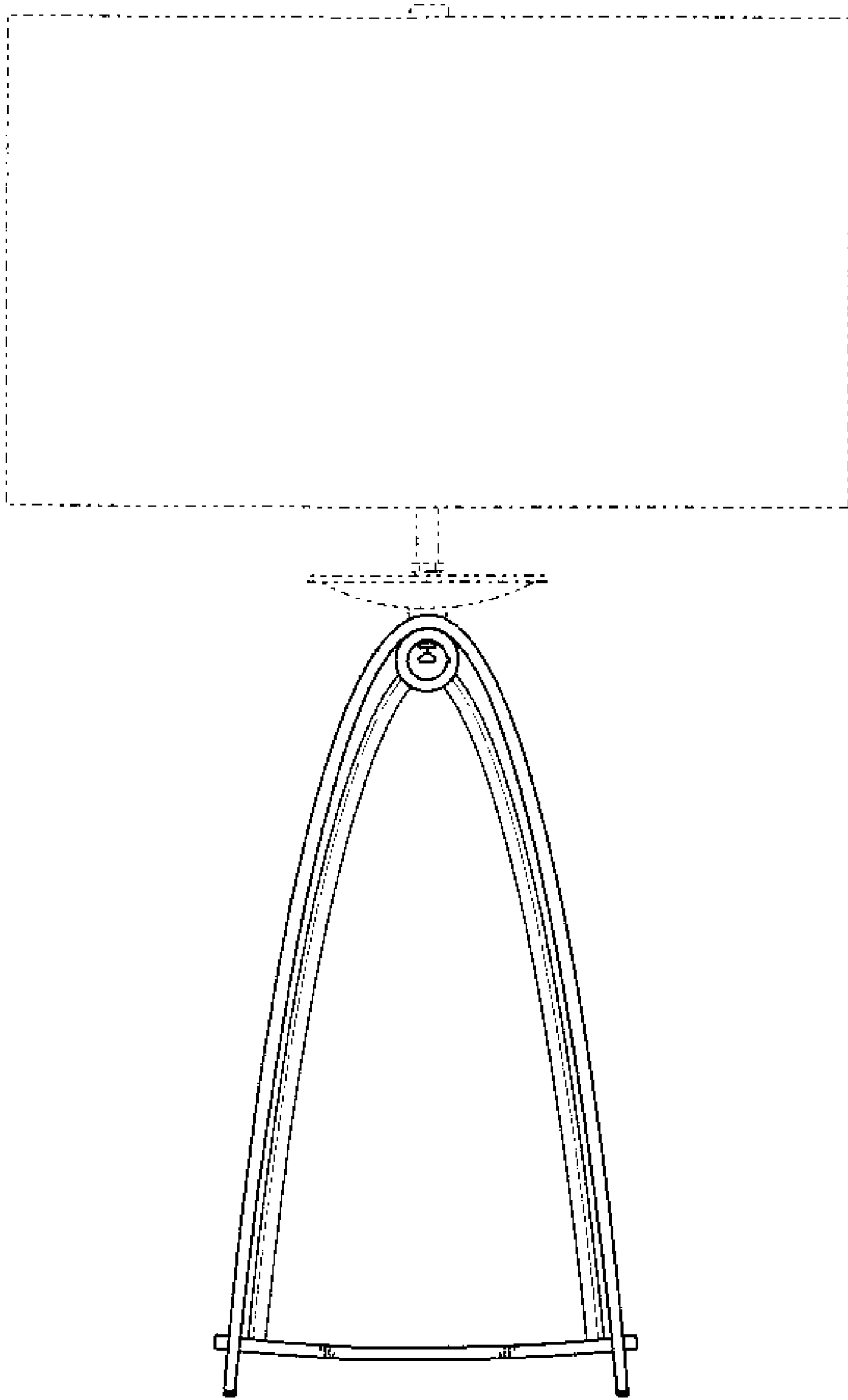


FIG. 3

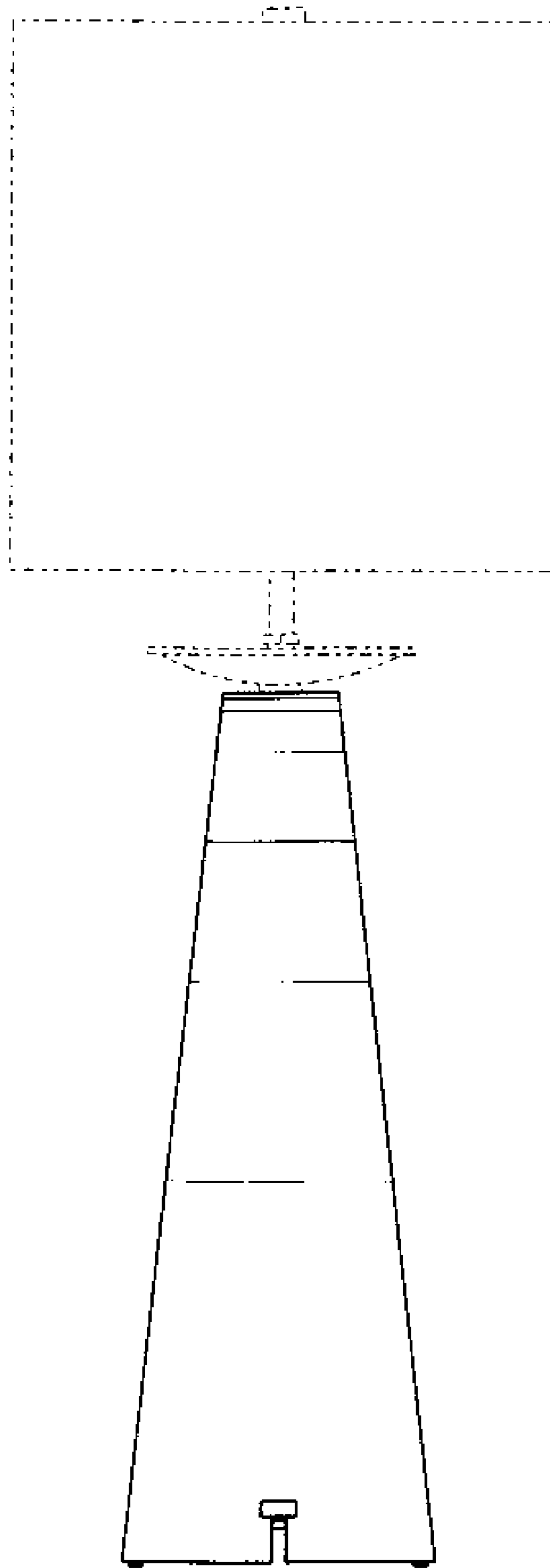


FIG. 4

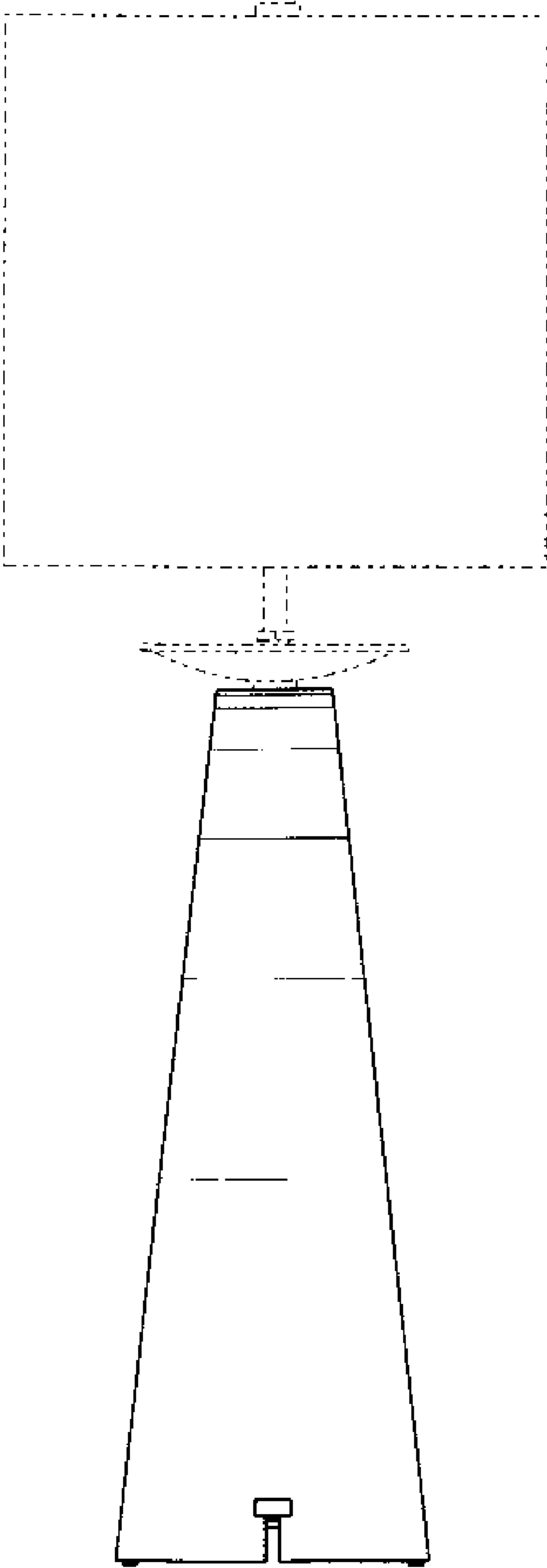


FIG. 5

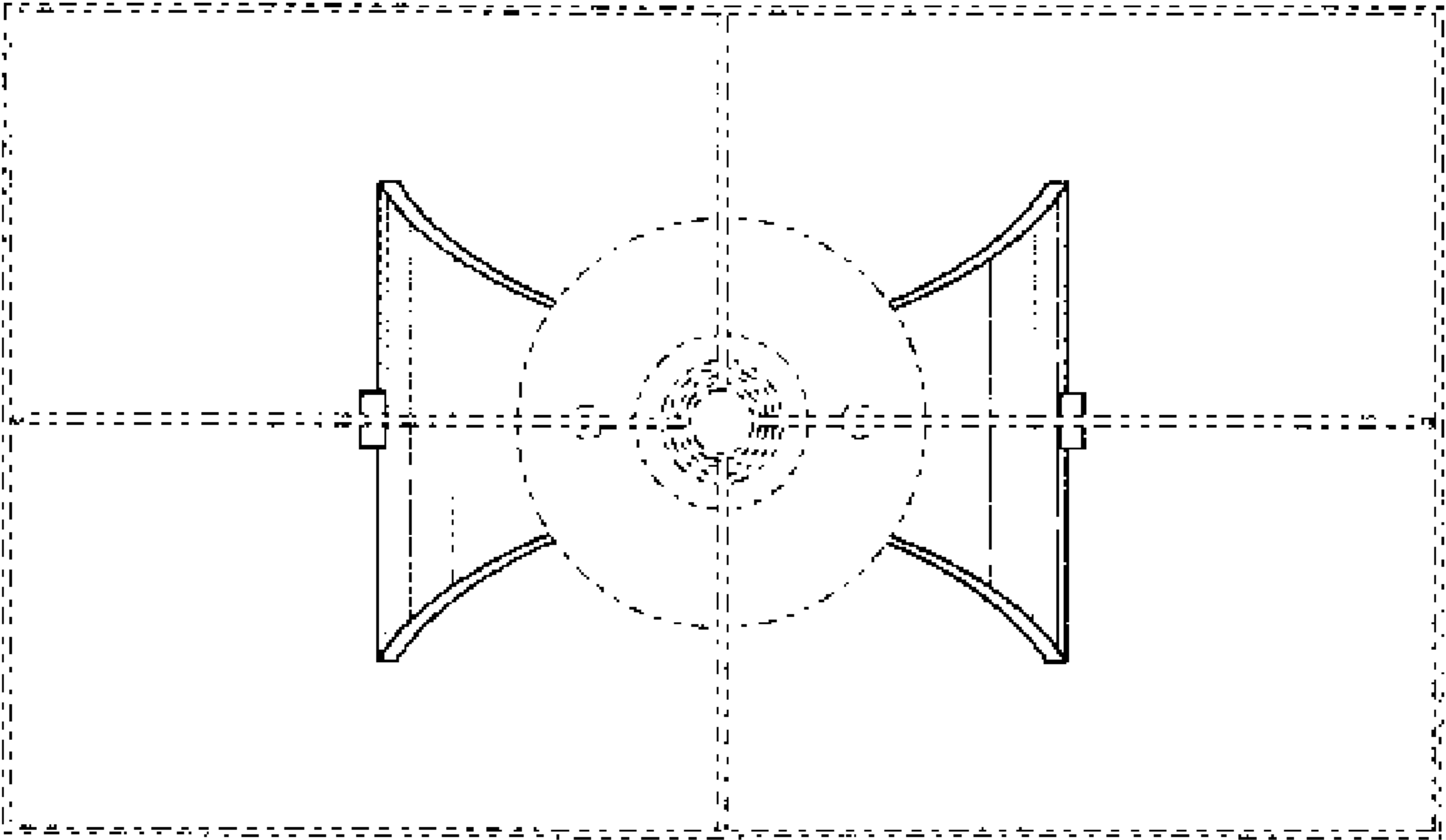


FIG. 6

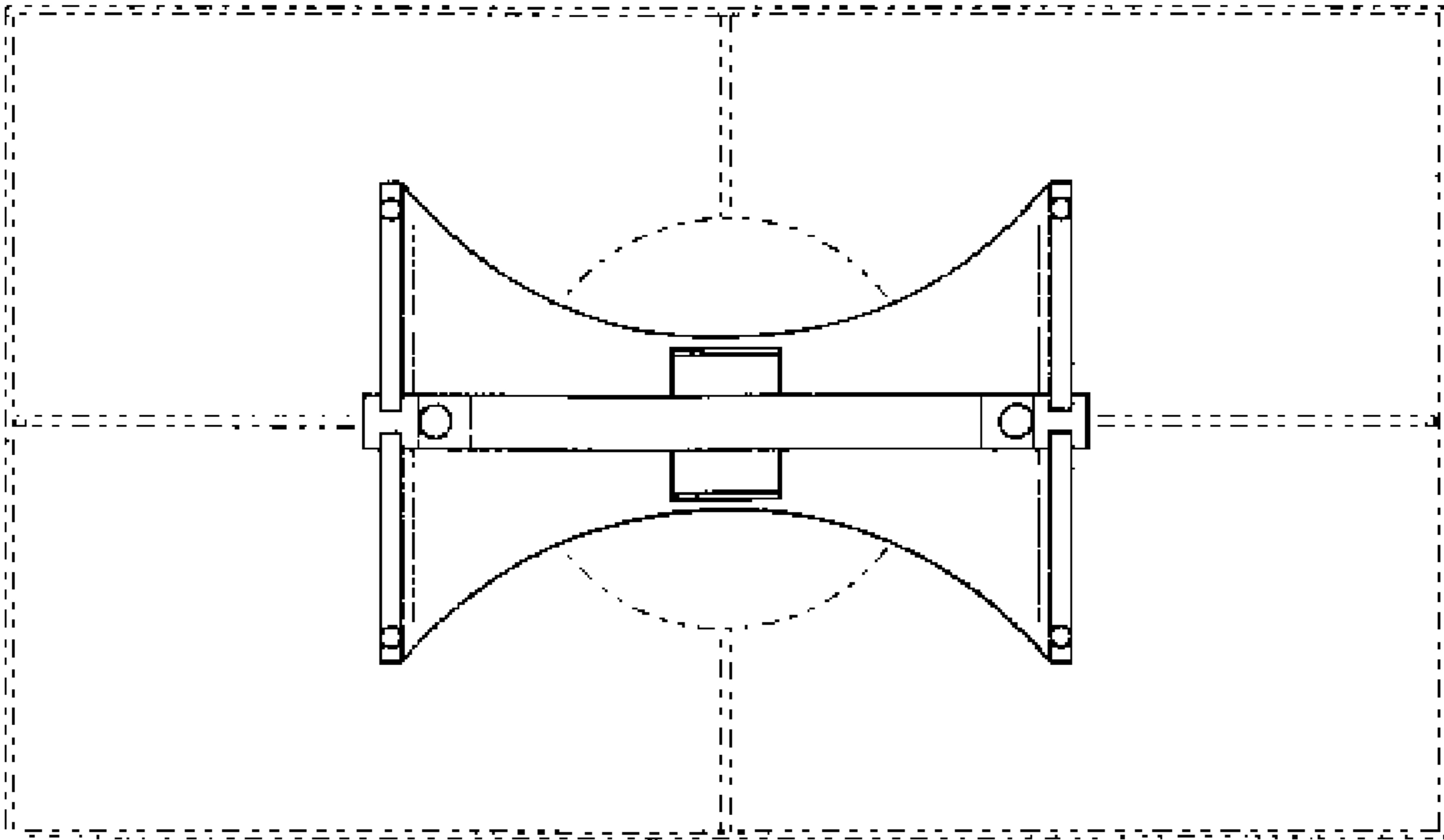


FIG. 7