



US00D577858S

(12) **United States Design Patent**
Chetcuti

(10) **Patent No.:** **US D577,858 S**

(45) **Date of Patent:** **** Sep. 30, 2008**

(54) **LIGHT FIXTURE WITH ADJUSTABLE TRACK LIGHTING**

(75) Inventor: **Michael Chetcuti**, Birmingham, MI (US)

(73) Assignee: **Quality MetalCraft Inc.**, Livonia, MI (US)

(**) Term: **14 Years**

(21) Appl. No.: **29/298,365**

(22) Filed: **Dec. 4, 2007**

(51) **LOC (8) Cl.** **26-99**

(52) **U.S. Cl.** **D26/142**

(58) **Field of Classification Search** D26/22, D26/24, 27, 61, 72, 75, 78, 92, 93, 81, 113, D26/118, 120, 121, 123, 124, 138, 140, 141, D26/142, 143, 144, 145, 149, 150, 151, 152, D26/153, 155; D10/69, 66, 70, 74; D13/133; 439/315, 314, 681; 372/109, 107; 33/286, 33/290, 227; 362/147, 172, 257, 259, 270, 362/277, 362, 216, 370, 382, 391, 404, 405, 362/434, 440, 441, 442, 551, 553, 615, 647, 362/648

See application file for complete search history.

(56) **References Cited**

U.S. PATENT DOCUMENTS

D111,214 S *	9/1938	Petzold	D26/121
D123,760 S *	12/1940	Heath	D26/78
D132,213 S *	4/1942	Miller	D26/3
3,155,322 A *	11/1964	Ito et al.	362/249
3,748,463 A *	7/1973	Trassinelli	362/269
4,278,911 A *	7/1981	Metoff	313/318.04
D261,057 S *	9/1981	Wotowiec et al.	D26/93

4,751,627 A *	6/1988	Usher	362/421
D325,446 S *	4/1992	Collymore	D26/13
D326,539 S *	5/1992	Ku	D26/138
D340,313 S *	10/1993	Husted	D26/144
D346,459 S	4/1994	King		
D372,551 S *	8/1996	Dolan	D26/81
5,726,706 A *	3/1998	Walsh	348/151
D417,300 S	11/1999	Stacy et al.		
6,298,623 B1 *	10/2001	Wendt	52/506.06
6,435,698 B1 *	8/2002	Schneider	362/233
6,705,747 B2 *	3/2004	Caferro et al.	362/291
D499,507 S	12/2004	Parres		
6,922,949 B2 *	8/2005	Cornell et al.	52/36.1
D510,452 S	10/2005	Porter		
2005/0157506 A1	7/2005	Chen		
2007/0002558 A1	1/2007	Pryor		

* cited by examiner

Primary Examiner—Freda S. Nunn

Assistant Examiner—Kevin K Rudzinski

(74) *Attorney, Agent, or Firm*—Young Basile

(57) **CLAIM**

The ornamental design for a light fixture with adjustable track lighting, as shown and described.

DESCRIPTION

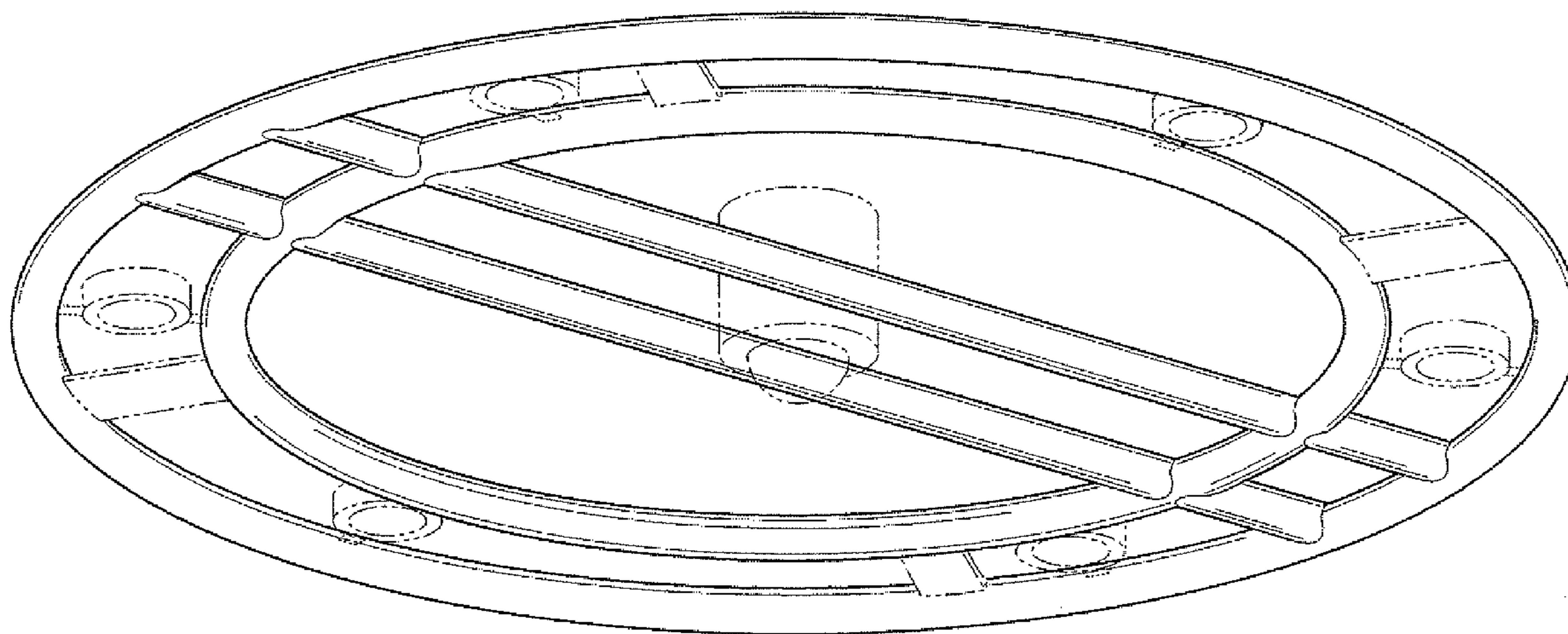
FIG. 1 is a bottom perspective view of the light fixture with adjustable track lighting;

FIG. 2 is a bottom side view of the light fixture, the opposing side being a mirror image thereof; and,

FIG. 3 is one side view of the light fixture, the other side views being symmetrical images thereof.

The broken lines showing of environmental structure are for illustrative purposes only and form no part of the claimed design.

1 Claim, 2 Drawing Sheets



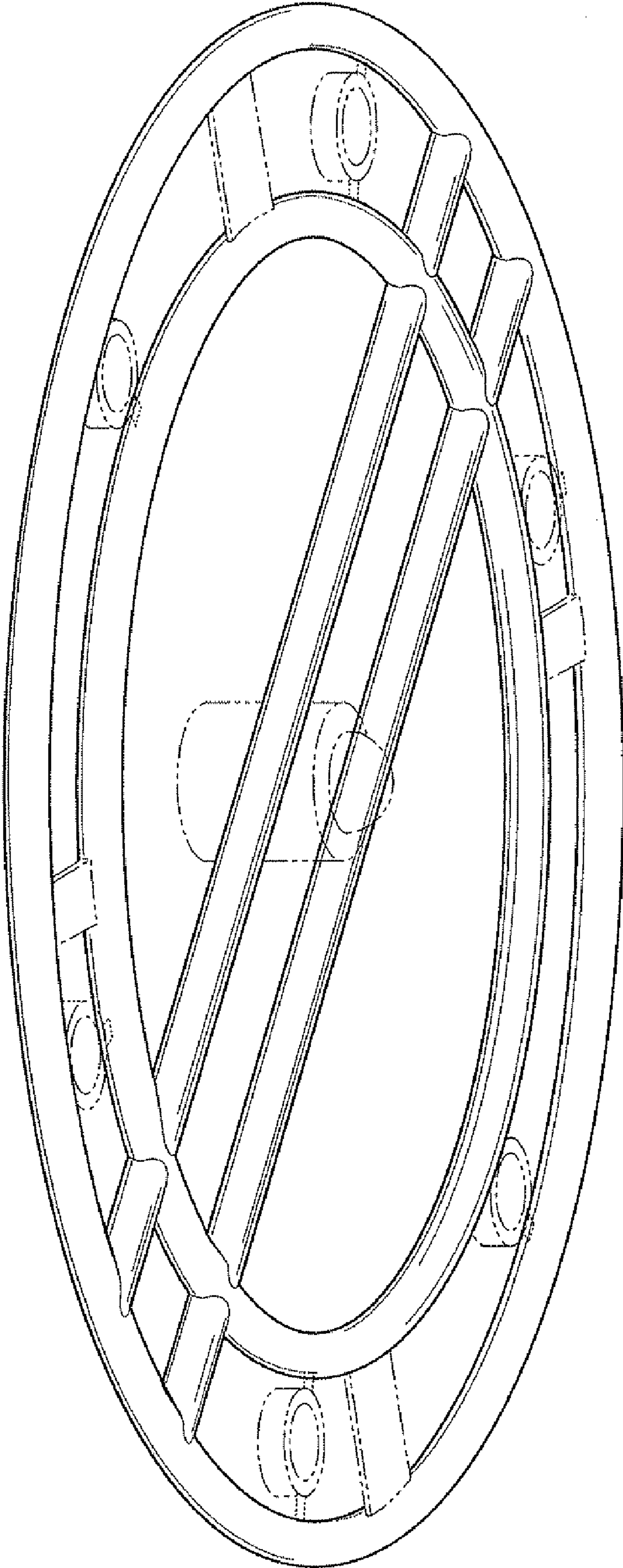


FIG - 1

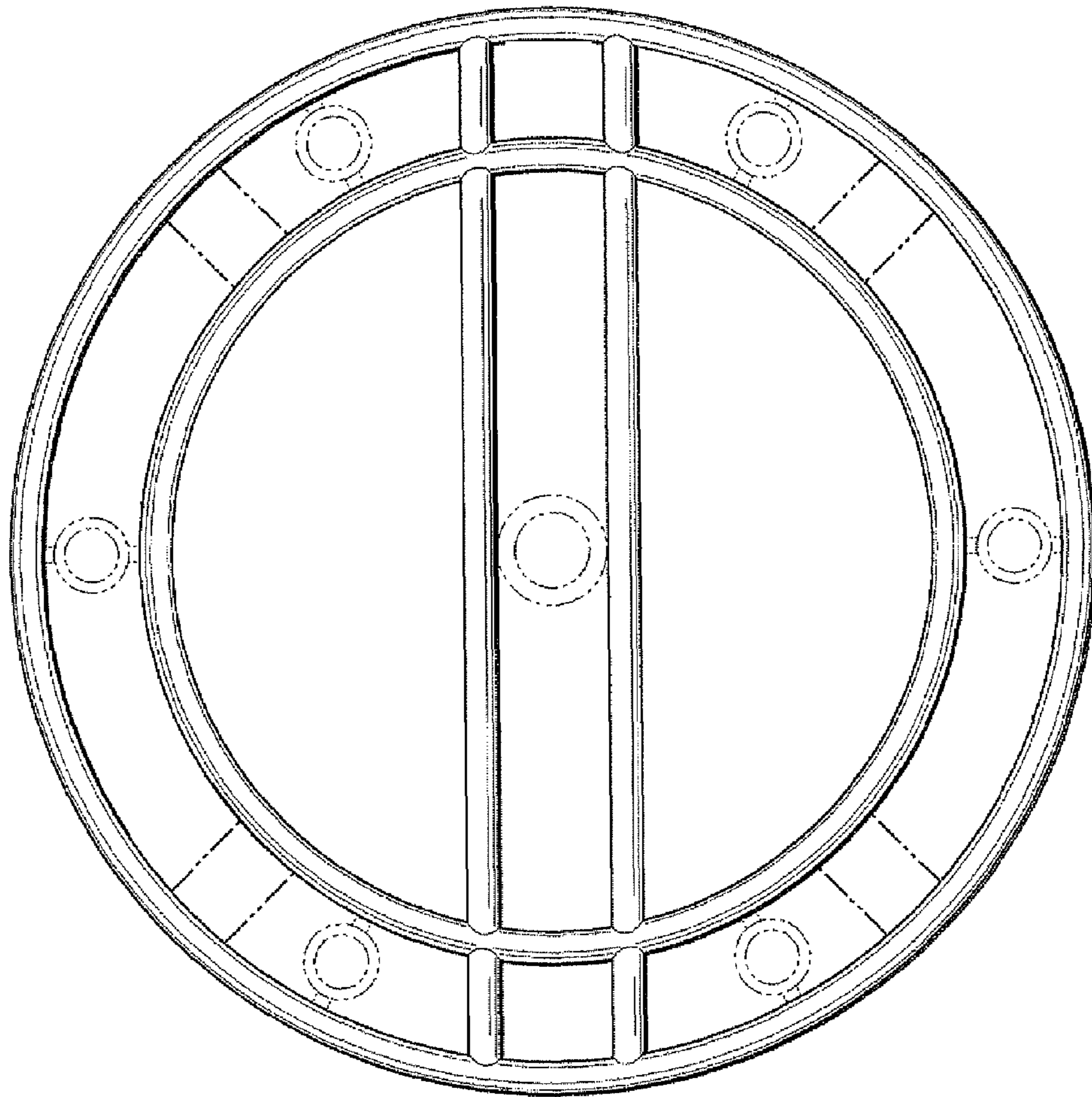


FIG - 2

FIG - 3

