



US00D577857S

(12) **United States Design Patent**  
**Tress et al.**

(10) **Patent No.:** **US D577,857 S**  
(45) **Date of Patent:** **\*\* Sep. 30, 2008**

(54) **FIXTURE BASE FOR LED LIGHTING STRIP**

(75) Inventors: **Christopher M. Tress**, Poland, OH  
(US); **Sean P. Tress**, Boardman, OH  
(US)

(73) Assignee: **Tresco International Ltd. Co.**, N. Lima,  
OH (US)

(\*\*) Term: **14 Years**

(21) Appl. No.: **29/272,879**

(22) Filed: **Feb. 21, 2007**

(51) **LOC (8) Cl.** ..... **26-99**

(52) **U.S. Cl.** ..... **D26/141**

(58) **Field of Classification Search** ..... D26/118,  
D26/76, 120, 121, 77, 141, 128, 78, 3, 88,  
D26/85, 87, 65, 67, 68, 81, 84, 155, 145,  
D26/142, 113, 138, 57, 72, 73, 75, 82, 89,  
D26/93, 109, 108, 119, 143, 152; D11/90;  
D25/124; D13/135, 134; 362/298, 555,  
362/576, 581, 147, 151, 153, 217, 219, 235,  
362/241, 279, 290, 297, 325, 404, 405, 410,  
362/800

See application file for complete search history.

(56) **References Cited**

**U.S. PATENT DOCUMENTS**

3,256,671	A	*	6/1966	Handley	.....	52/731.2
3,737,654	A	*	6/1973	Hawley	.....	362/311
D227,984	S	*	7/1973	Lang	.....	D25/125
D237,485	S	*	11/1975	Lundberg	.....	D25/124
D246,930	S	*	1/1978	Win	.....	D26/152
D269,910	S	*	7/1983	Johansson	.....	D25/124
D292,619	S	*	11/1987	Chen	.....	D26/141
4,891,737	A	*	1/1990	Szymanek	.....	362/223
D306,771	S	*	3/1990	Gecchelin	.....	D26/75
D311,588	S	*	10/1990	Nagano	.....	D26/24
D319,509	S	*	8/1991	Ogilvie	.....	D25/122
D324,575	S	*	3/1992	Davis	.....	D25/119
D375,324	S	*	11/1996	Grass	.....	D20/11
D379,530	S	*	5/1997	Leonelli	.....	D25/124
D381,088	S	*	7/1997	DiGiorgio	.....	D25/124

5,918,962	A	*	7/1999	Nagano	.....	362/146
D417,292	S	*	11/1999	Staeger	.....	D25/125
D434,084	S	*	11/2000	LaFountain et al.	.....	D20/44
D445,211	S	*	7/2001	Baker	.....	D26/76
D453,971	S	*	2/2002	Baker	.....	D25/124

\* cited by examiner

*Primary Examiner*—Freda S. Nunn

*Assistant Examiner*—Kevin K Rudzinski

(74) *Attorney, Agent, or Firm*—Nixon & Vanderhye P.C.

(57) **CLAIM**

The ornamental design for a “fixture base for LED lighting strip,” as shown and described.

**DESCRIPTION**

This application may be deemed related to commonly owned copending U.S. Design patent application Ser. No. 29/272, 880 entitled “Lighting Fixture End Caps” filed even date herewith, which application is expressly incorporated herewith by reference.

FIG. 1 is a front left side perspective view showing an indefinite length of a fixture base for LED lighting strip which embodies my new and original design therefore;

FIG. 2 is a front elevation view thereof;

FIG. 3 is a rear elevation view thereof;

FIG. 4 is a top plan view thereof;

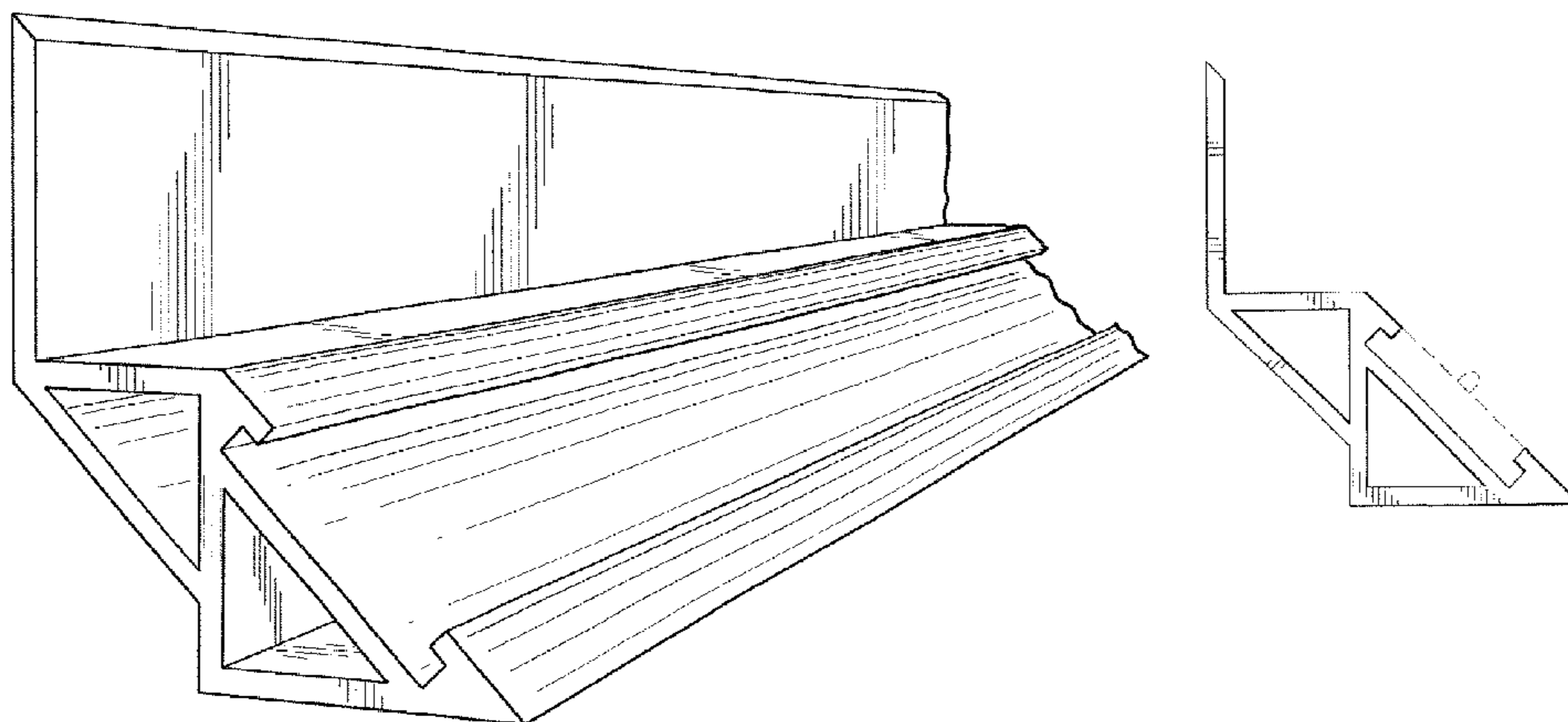
FIG. 5 is a bottom plan view thereof;

FIG. 6 is a left side elevation view thereof, the right side elevation view being a mirror image thereof; and,

FIG. 7 is a front left side perspective view similar to FIG. 1 but showing structural components in broken lines that are in the environment of the claimed design.

The broken lines in FIGS. 6 and 7 represent structural components (e.g., a light emitting diode (LED) lighting strip as shown in both FIGS. 6 and 7 and a left side end cap as shown in FIG. 7) which are in the environment of the claimed design, but which do not form part of the claimed design.

**1 Claim, 4 Drawing Sheets**



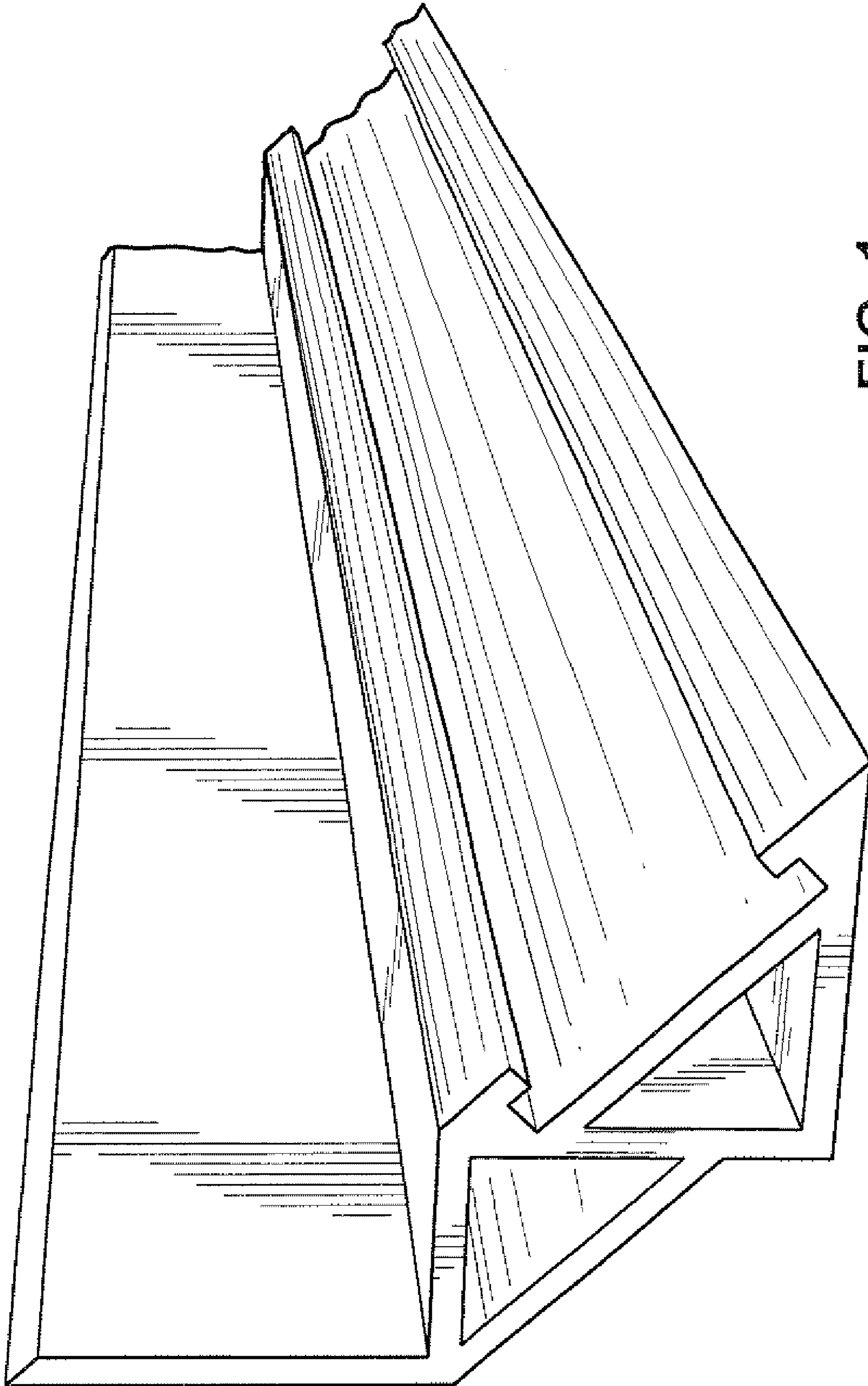


FIG. 1

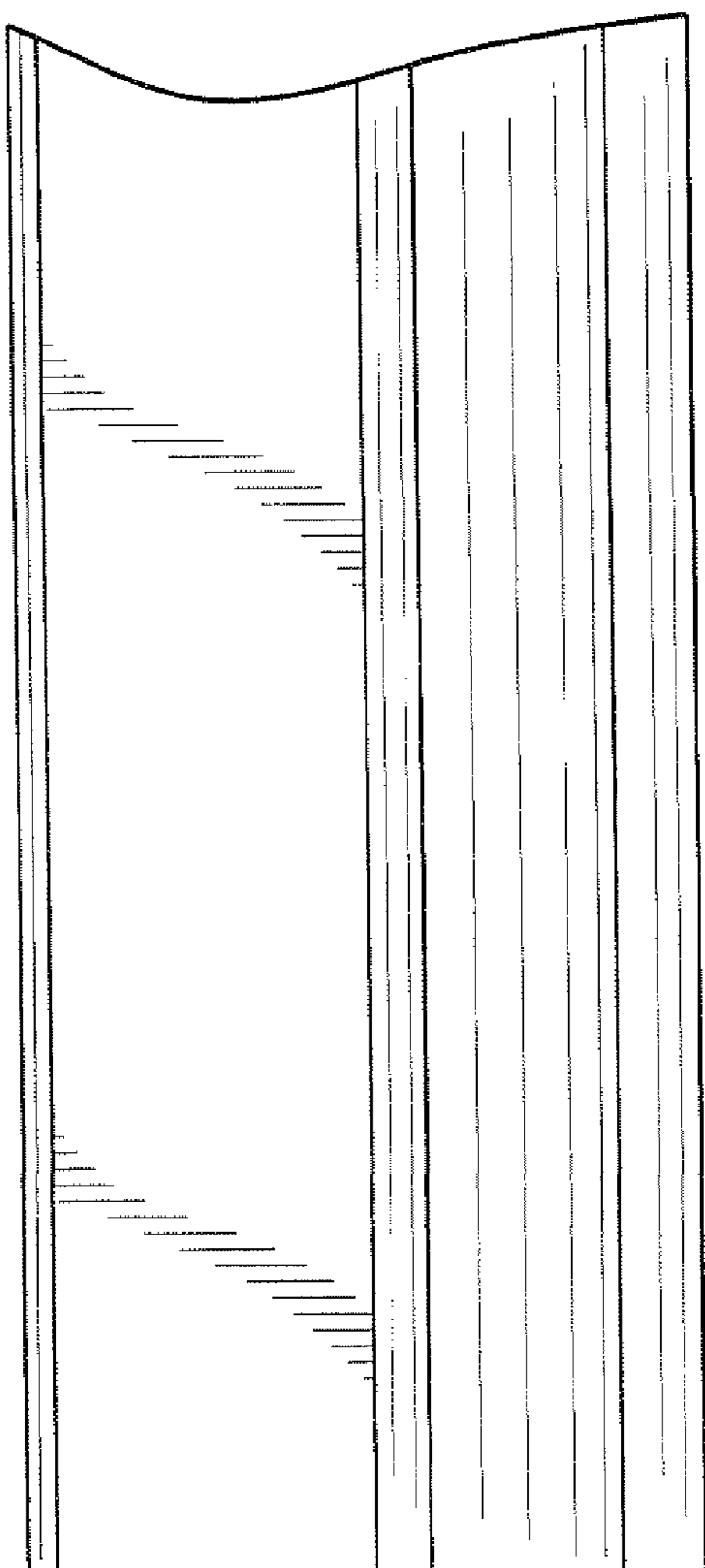


FIG. 2

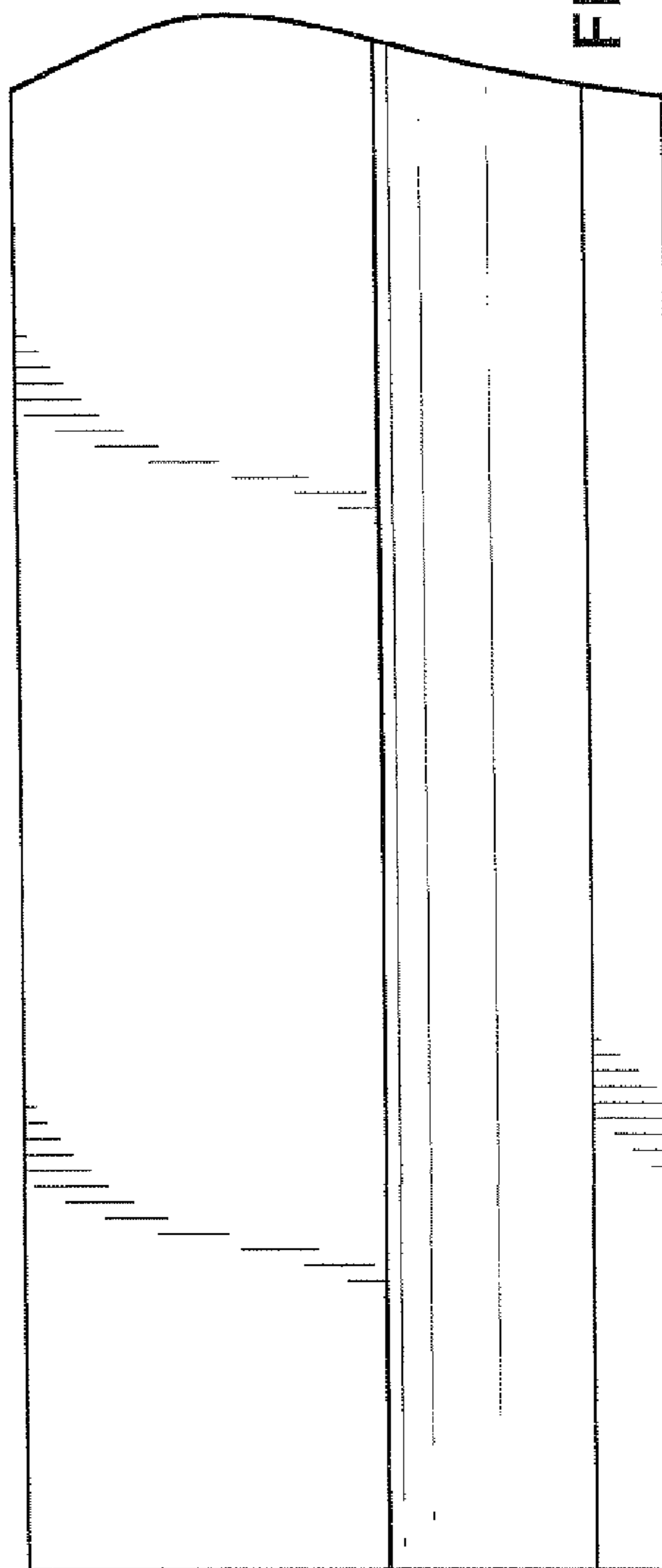


FIG. 3

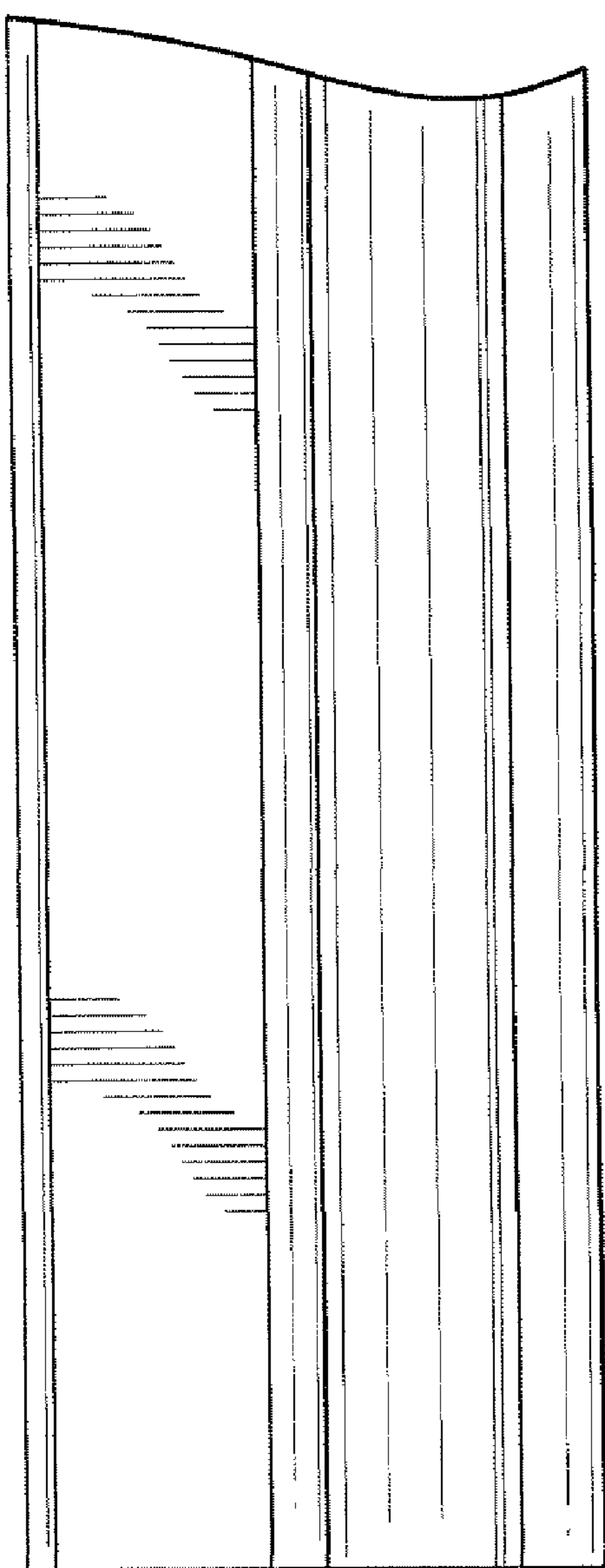


FIG. 4

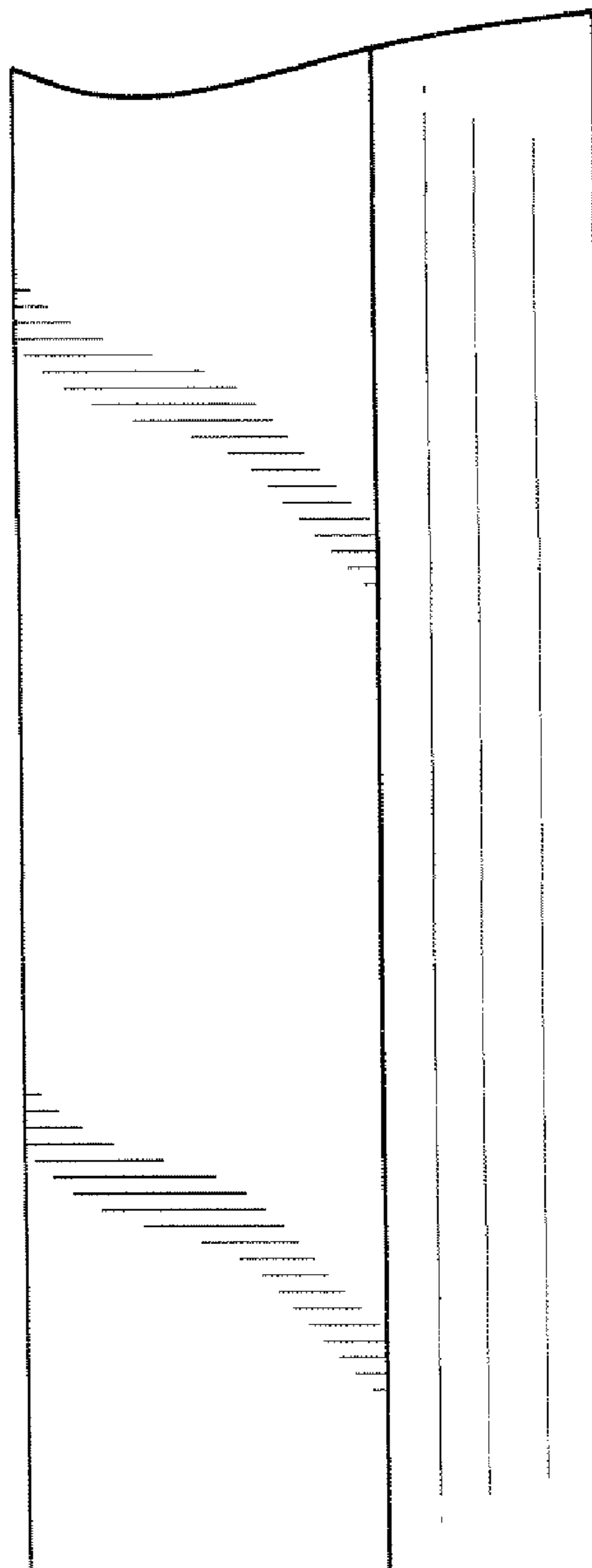


FIG. 5

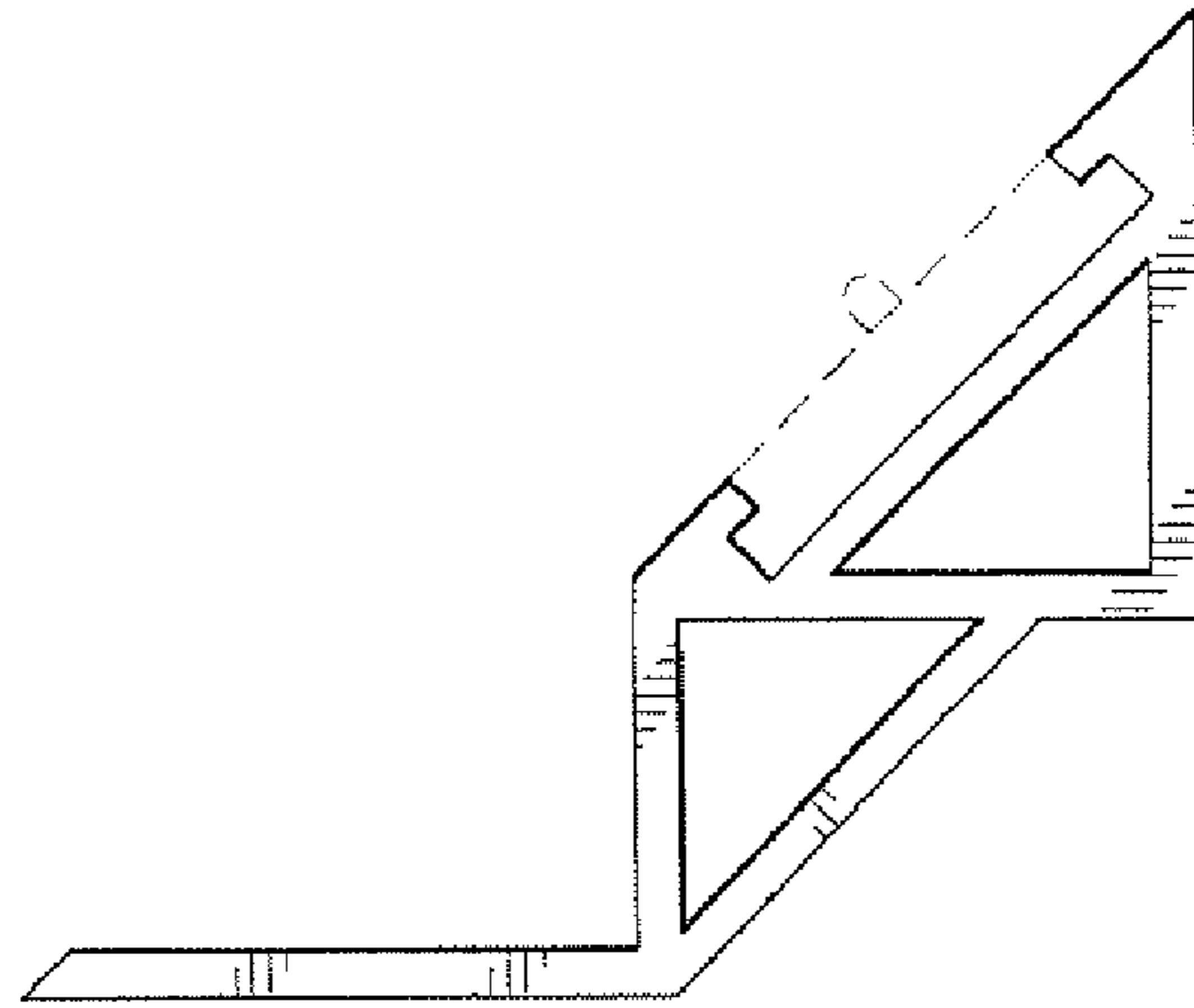


FIG. 6



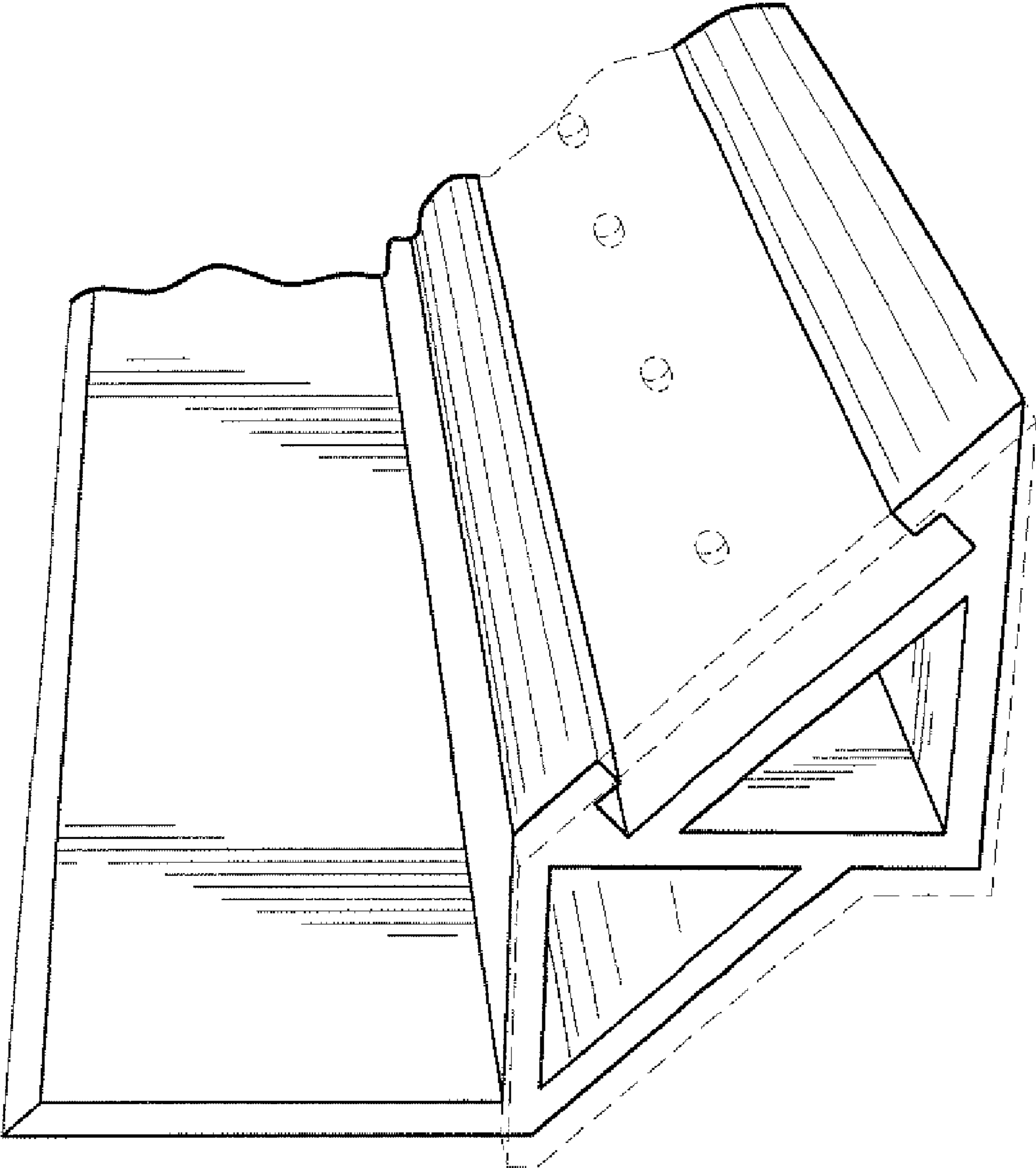


FIG. 7