



US00D577856S

(12) **United States Design Patent**
Kim

(10) **Patent No.:** **US D577,856 S**

(45) **Date of Patent:** **** Sep. 30, 2008**

(54) **GIMBAL BASE AND COVER**

(75) Inventor: **Young Sang Kim**, Kwachon (KR)

(73) Assignee: **Nuvico, Inc.**, Englewood, NJ (US)

(**) Term: **14 Years**

(21) Appl. No.: **29/265,292**

(22) Filed: **Aug. 29, 2006**

(51) **LOC (8) Cl.** **26-99**

(52) **U.S. Cl.** **D26/140**

(58) **Field of Classification Search** 119/707;
156/245; D9/519; D27/148; D26/85, 27,
D26/24, 138, 112, 63, 73, 113, 118, 123,
D26/124, 128, 130, 140; D21/713, 498,
D21/316, 317, 466; 244/3.16; 261/94; 95/211;
340/983; 482/78; 473/612, 594; 362/362,
362/352, 285, 418, 419, 421, 429, 441
See application file for complete search history.

(56) **References Cited**

U.S. PATENT DOCUMENTS

4,085,910 A * 4/1978 Baker et al. 244/3.16
D287,988 S * 1/1987 Billinghamst D21/713
D308,731 S * 6/1990 Maglica et al. D26/138
D400,620 S * 11/1998 Barton, Jr. D21/713

D428,325 S * 7/2000 van Dreumel et al. D8/354
6,422,508 B1 * 7/2002 Barnes 244/3.16
D470,195 S * 2/2003 Manville et al. D21/498
D521,681 S * 5/2006 Xu D27/148

* cited by examiner

Primary Examiner—Freda S. Nunn

Assistant Examiner—Kevin K Rudzinski

(74) *Attorney, Agent, or Firm*—Day Pitney LLP

(57) **CLAIM**

The ornamental design for a gimbal base and cover, as shown and described.

DESCRIPTION

FIG. 1 is a perspective view of the top of a gimbal base and cover according to my new design;

FIG. 2 is an elevational view of the top of the gimbal base and cover;

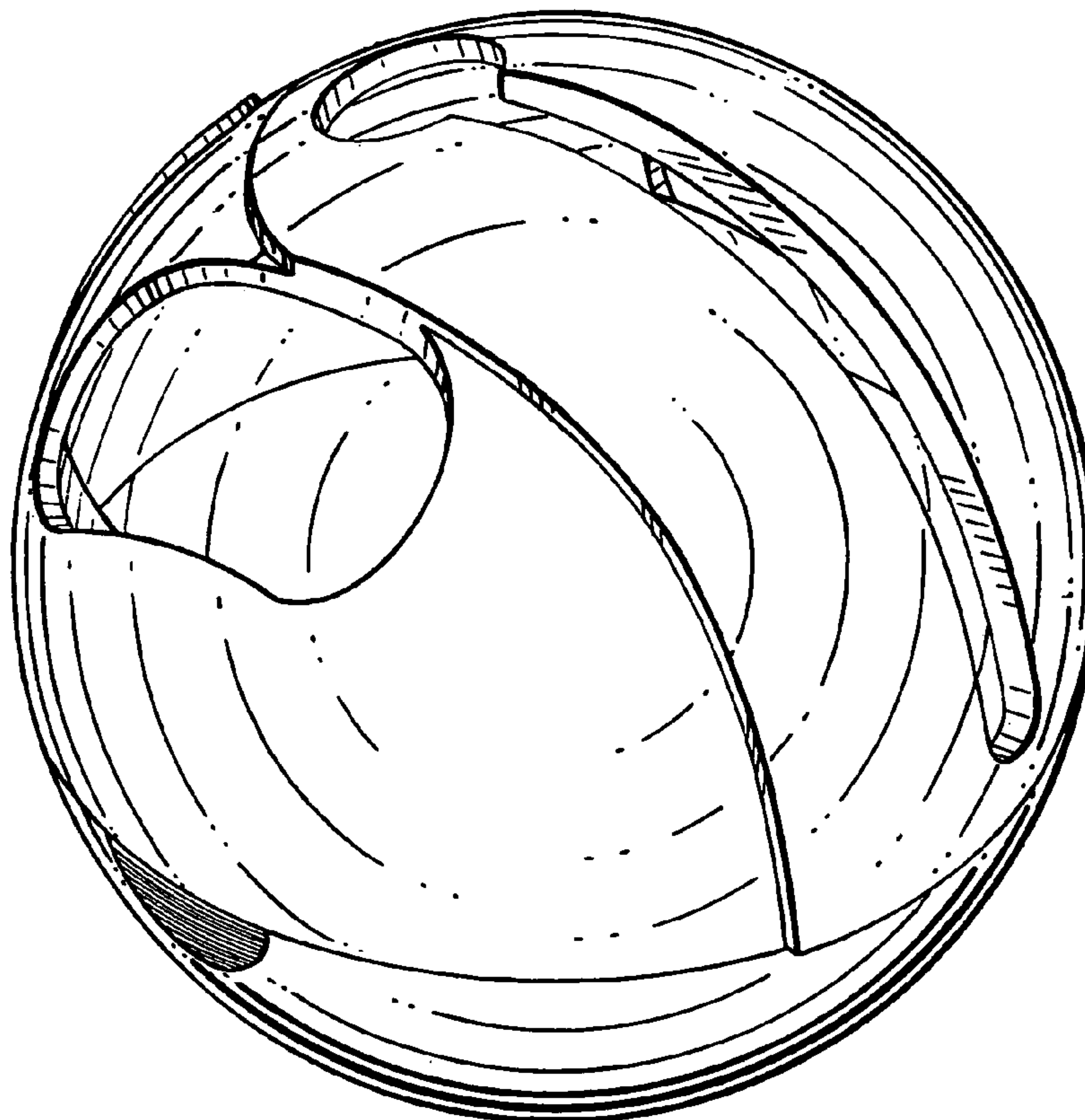
FIG. 3 is a front elevational view thereof;

FIG. 4 is a left-side elevational view thereof, the right-side elevational view being a mirror image of that shown in FIG. 4;

FIG. 5 is a rear elevational view thereof; and,

FIG. 6 is a bottom elevational view of the gimbal base and cover.

1 Claim, 3 Drawing Sheets



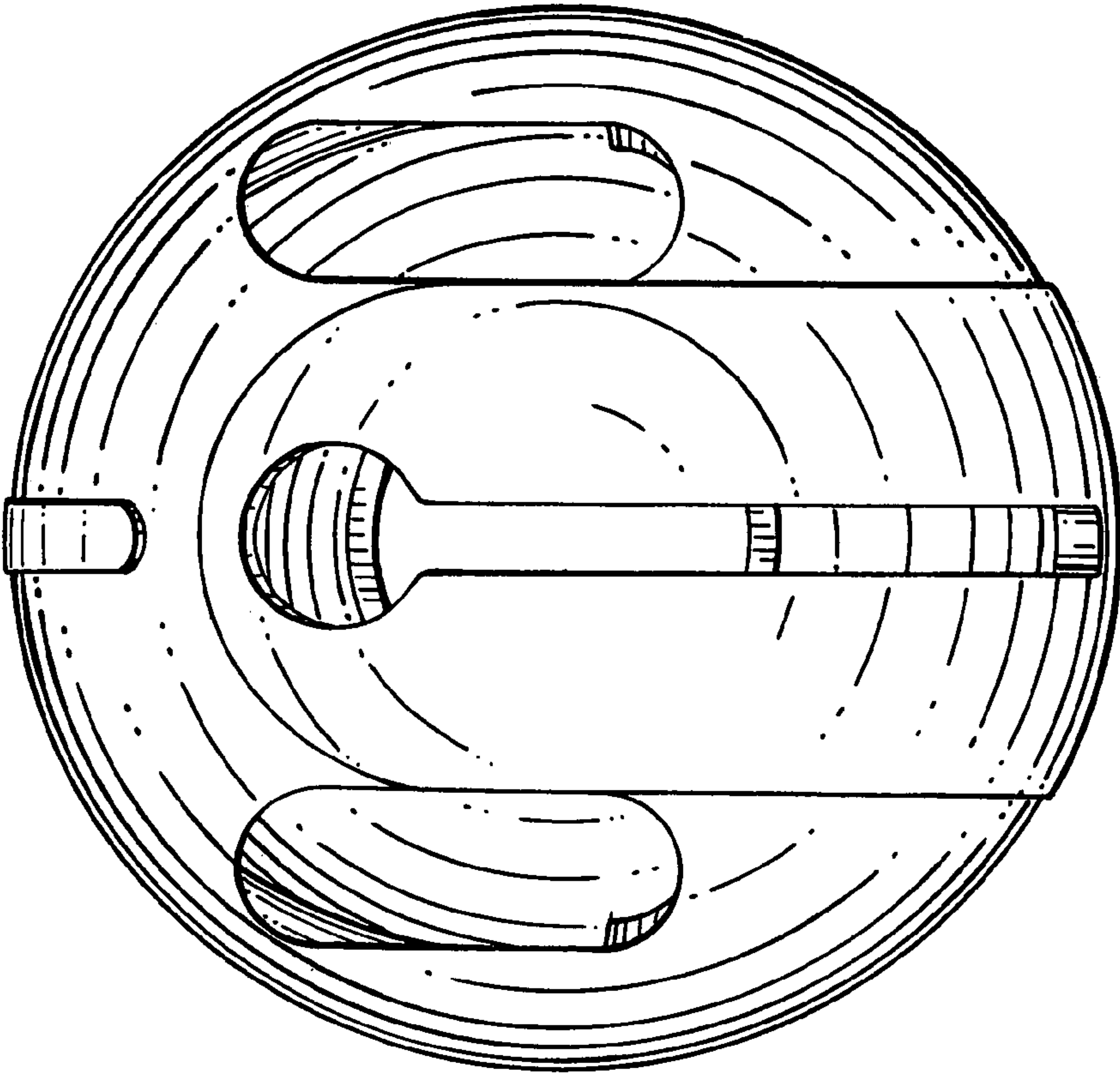


FIG. 2

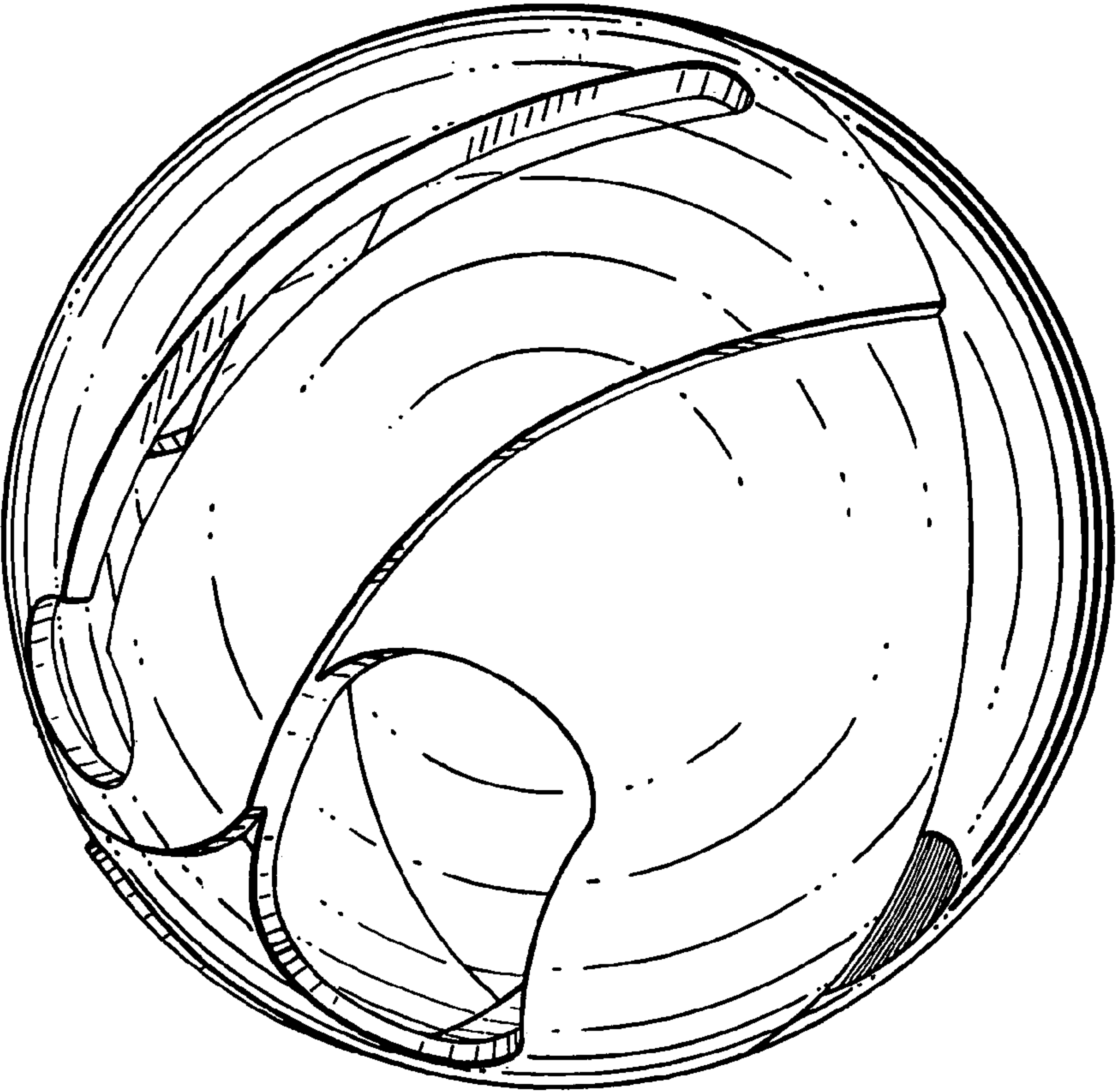


FIG. 1

FIG. 4

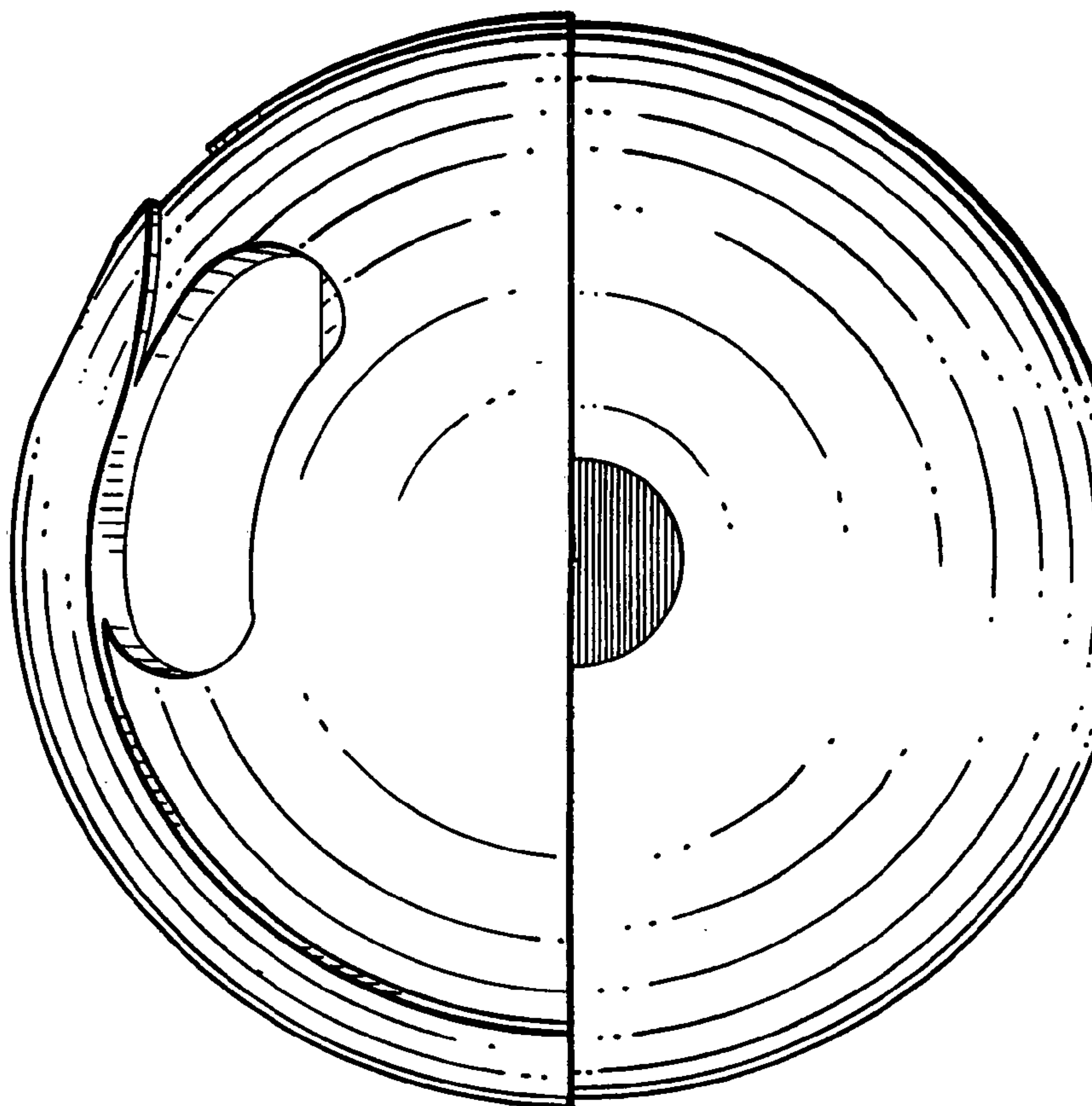
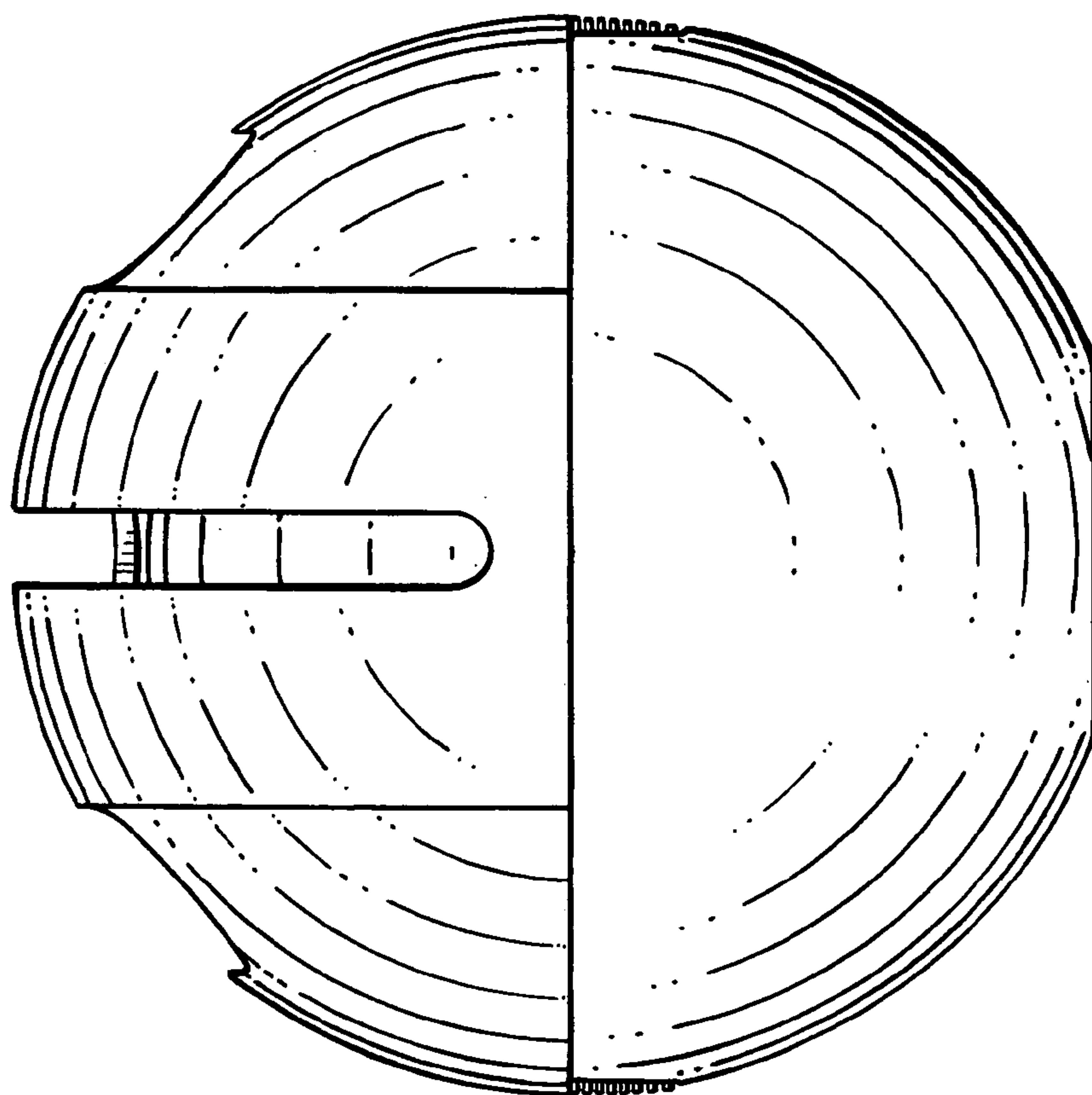


FIG. 3



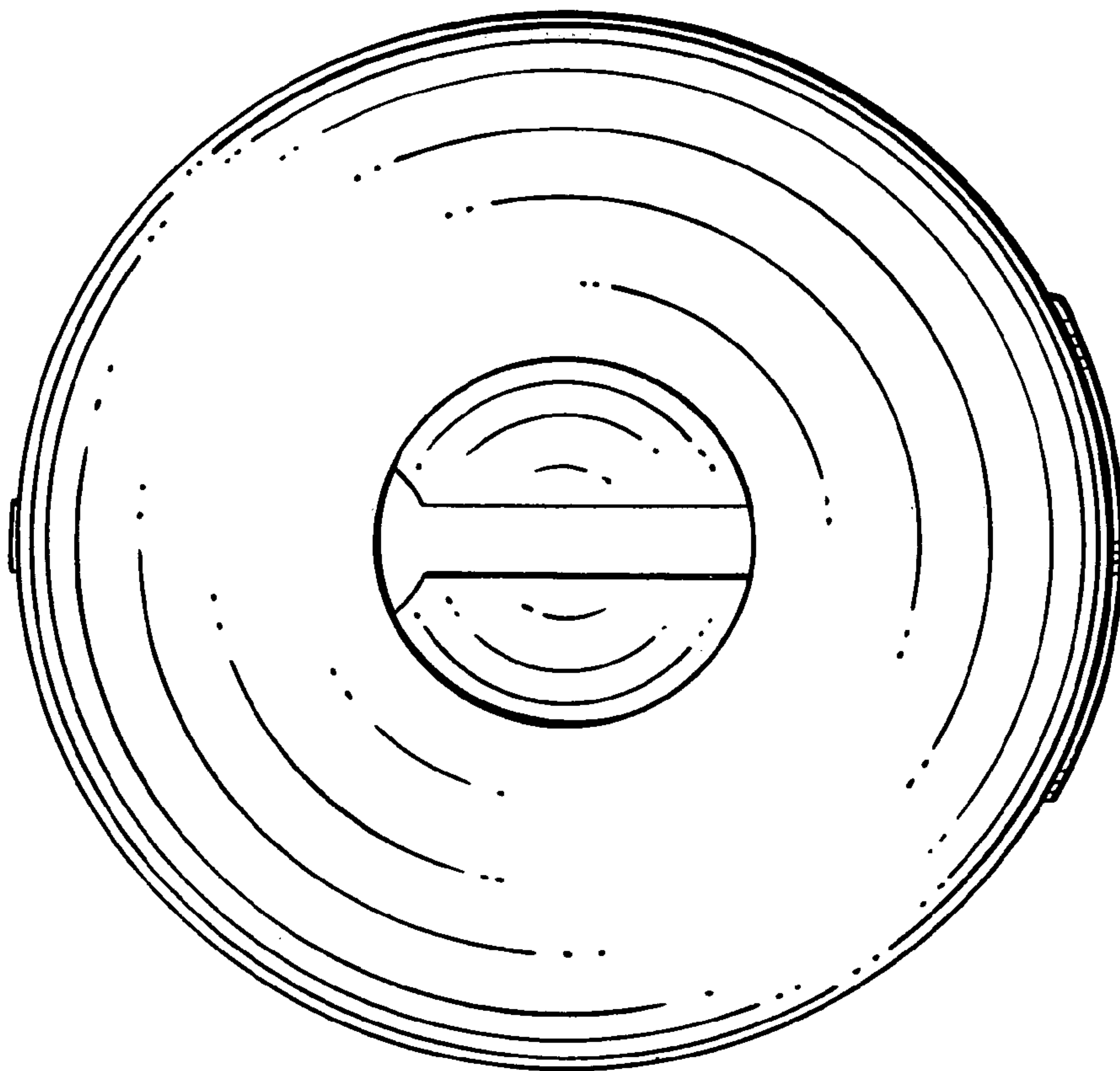


FIG. 6

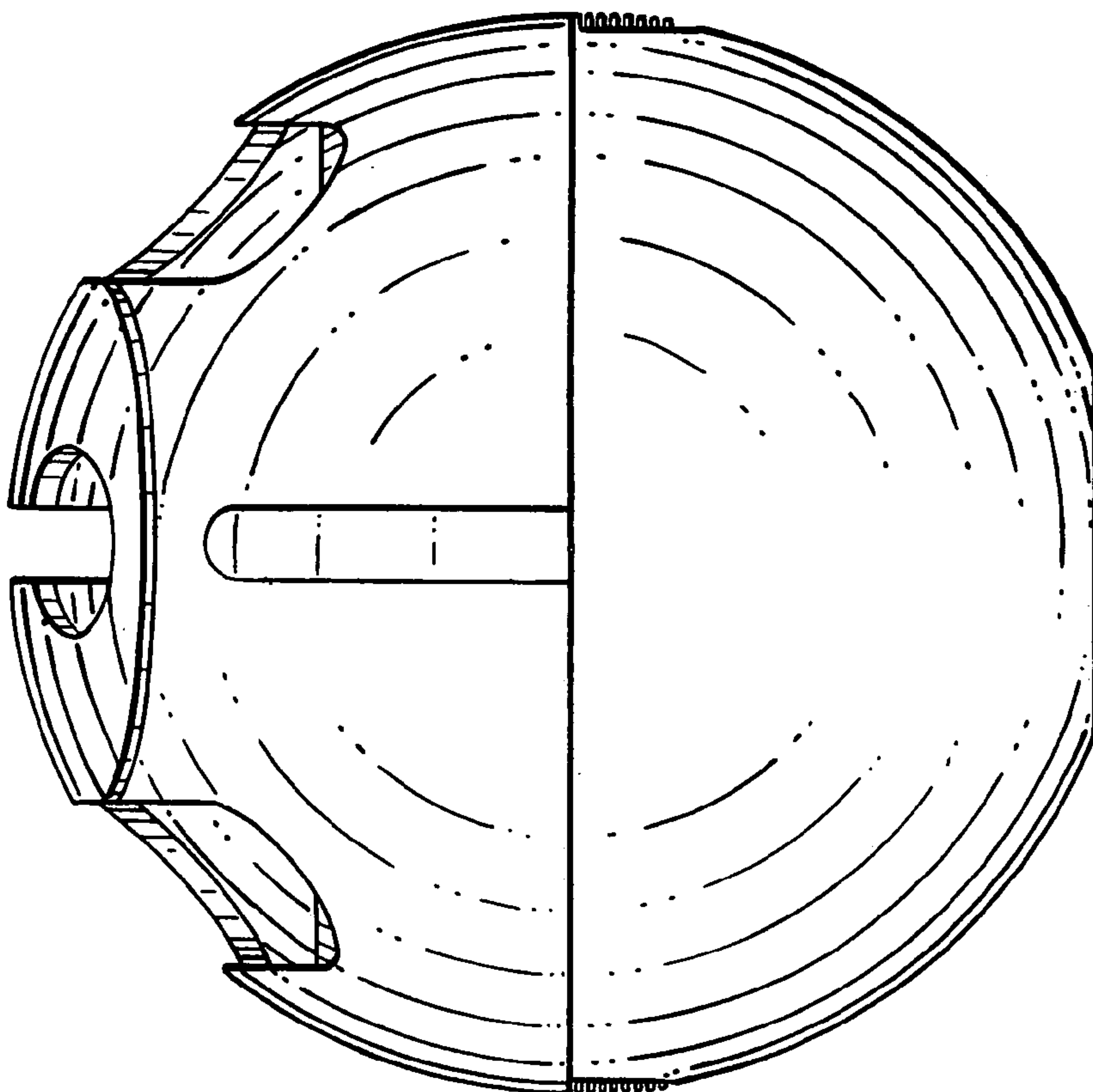


FIG. 5