



US00D577855S

(12) **United States Design Patent**
Yoshida

(10) **Patent No.:** **US D577,855 S**

(45) **Date of Patent:** **** Sep. 30, 2008**

(54) **SPOT LIGHT IRRADIATOR**

(75) Inventor: **Hitoshi Yoshida**, Saitama (JP)

(73) Assignee: **Moritex Corporation**, Tokyo (JP)

(**) Term: **14 Years**

(21) Appl. No.: **29/260,896**

(22) Filed: **Jun. 5, 2006**

(30) **Foreign Application Priority Data**

Dec. 5, 2005 (JP) 2005-035781

(51) **LOC (8) Cl.** **26-99**

(52) **U.S. Cl.** **D26/138**

(58) **Field of Classification Search** D26/142,
D26/35, 46, 60, 61, 104, 113, 120, 123, 124,
D26/135, 63, 138, 64, 80, 67, 37, 3, 28, 24,
D26/122, 118, 88, 68, 85, 86, 87, 128; 362/648,
362/647, 427, 523, 240, 216, 84, 612, 558,
362/559, 555, 545, 311, 294, 249, 235, 307;
D13/110, 133, 182, 180; 439/121, 118
See application file for complete search history.

(56) **References Cited**

U.S. PATENT DOCUMENTS

2,081,703	A *	5/1937	Germonprez	362/488
2,278,916	A *	4/1942	Critoph et al.	362/294
2,477,957	A *	8/1949	Briskin	362/294
2,775,686	A *	12/1956	Bulkin	362/235
D213,925	S *	4/1969	Cheslock	D10/114
D221,892	S *	9/1971	Snyder	D26/142
4,214,168	A *	7/1980	Kulka	362/540
4,219,871	A *	8/1980	Larrimore	362/264
4,471,415	A *	9/1984	Larson et al.	362/250
6,435,704	B1 *	8/2002	Montet et al.	362/539
6,568,833	B2 *	5/2003	Worgan et al.	362/247

D482,477 S * 11/2003 Wang D26/67

* cited by examiner

Primary Examiner—Freda S. Nunn

Assistant Examiner—Kevin K Rudzinski

(74) *Attorney, Agent, or Firm*—Greenblum & Bernstein, P.L.C.

(57) **CLAIM**

I claim the ornamental design for a spot light irradiator, as shown and described.

DESCRIPTION

The description of the figures of the accompanying drawings, wherein the rear view has not been included because it is a mirror image of the front view. The length of the omitted portion of the spot light irradiator of the present design may be approximately 46 cm, or about seventeen times the diameter of the main body of the spot light irradiator.

FIG. 1 is a front view of a spot light irradiator, showing my new design, the rear view being a mirror image thereof;

FIG. 2 is a right side view of a spot light irradiator, showing my new design;

FIG. 3 is a left side view of a spot light irradiator, showing my new design;

FIG. 4 is a top plan view of a spot light irradiator, showing my new design;

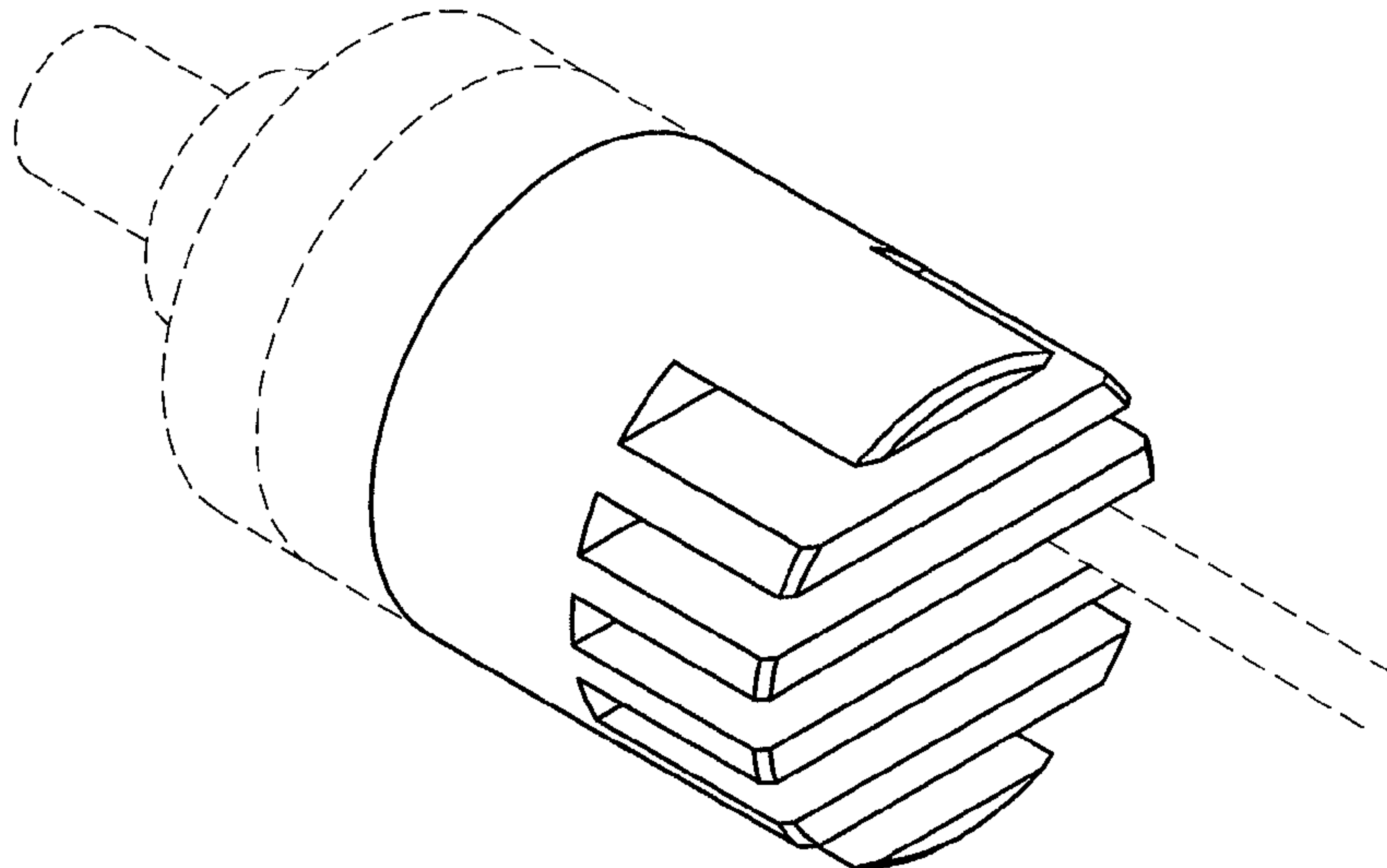
FIG. 5 is a bottom plan view of a spot light irradiator, showing my new design;

FIG. 6 is a cross sectional view of a spot light irradiator, taken along line 6—6 of FIG. 2, showing my new design; and,

FIG. 7 is a front perspective view of a spot light irradiator, showing my new design.

The broken line shown is included for the purpose of illustration only and forms no part of the claimed design.

1 Claim, 3 Drawing Sheets



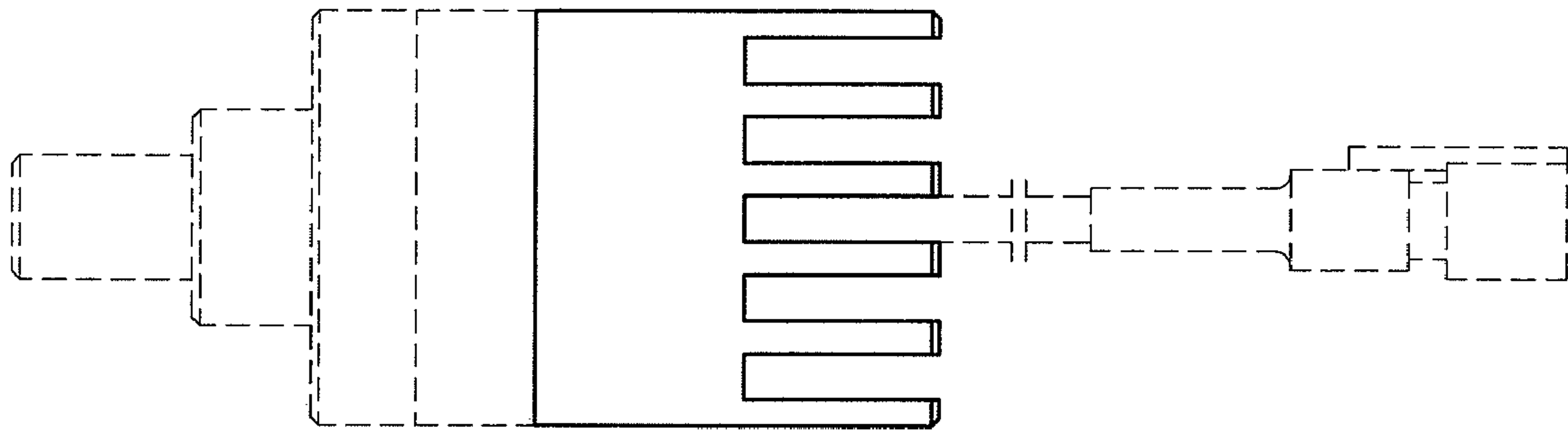


FIGURE 1

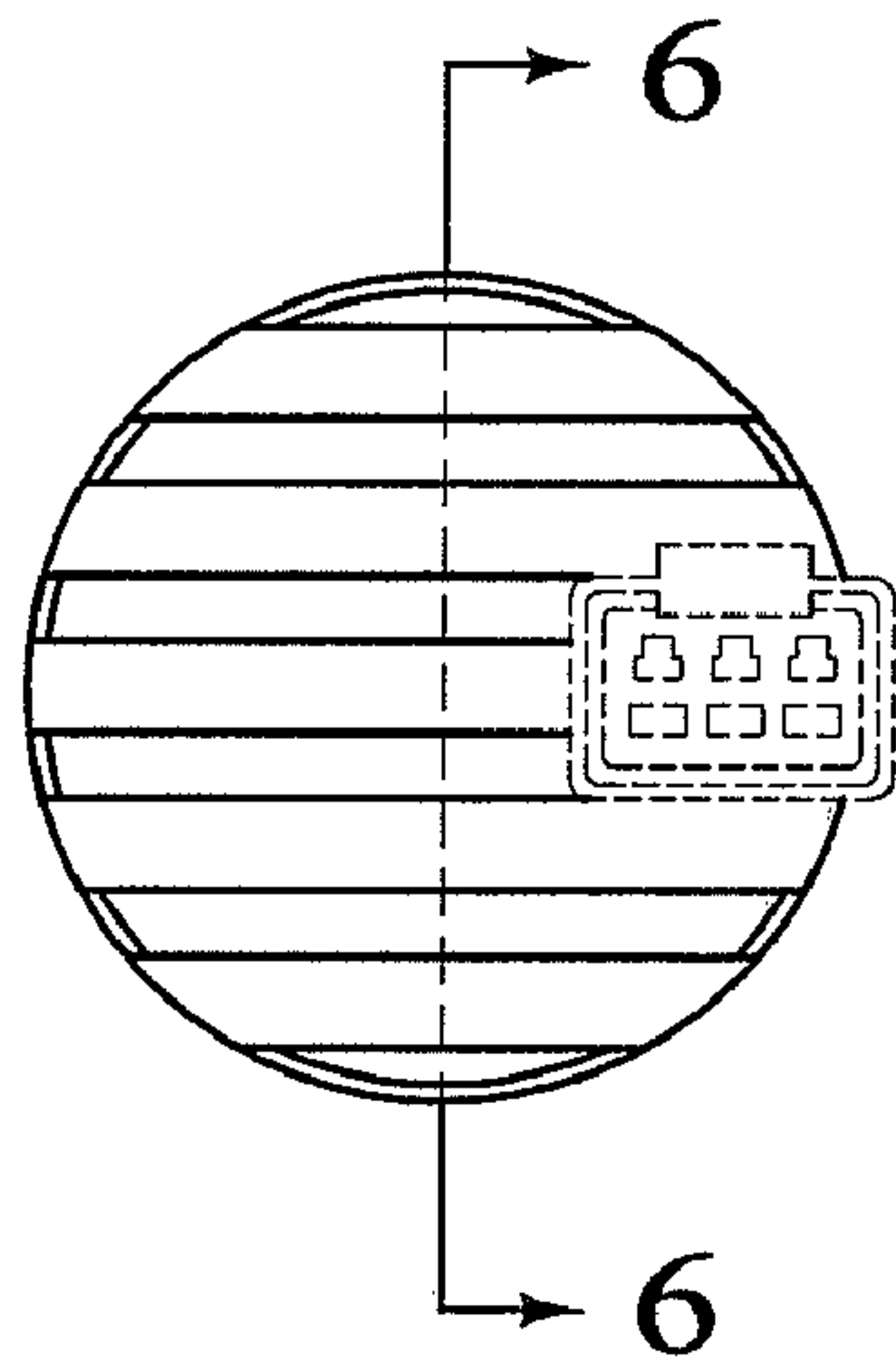


FIGURE 2

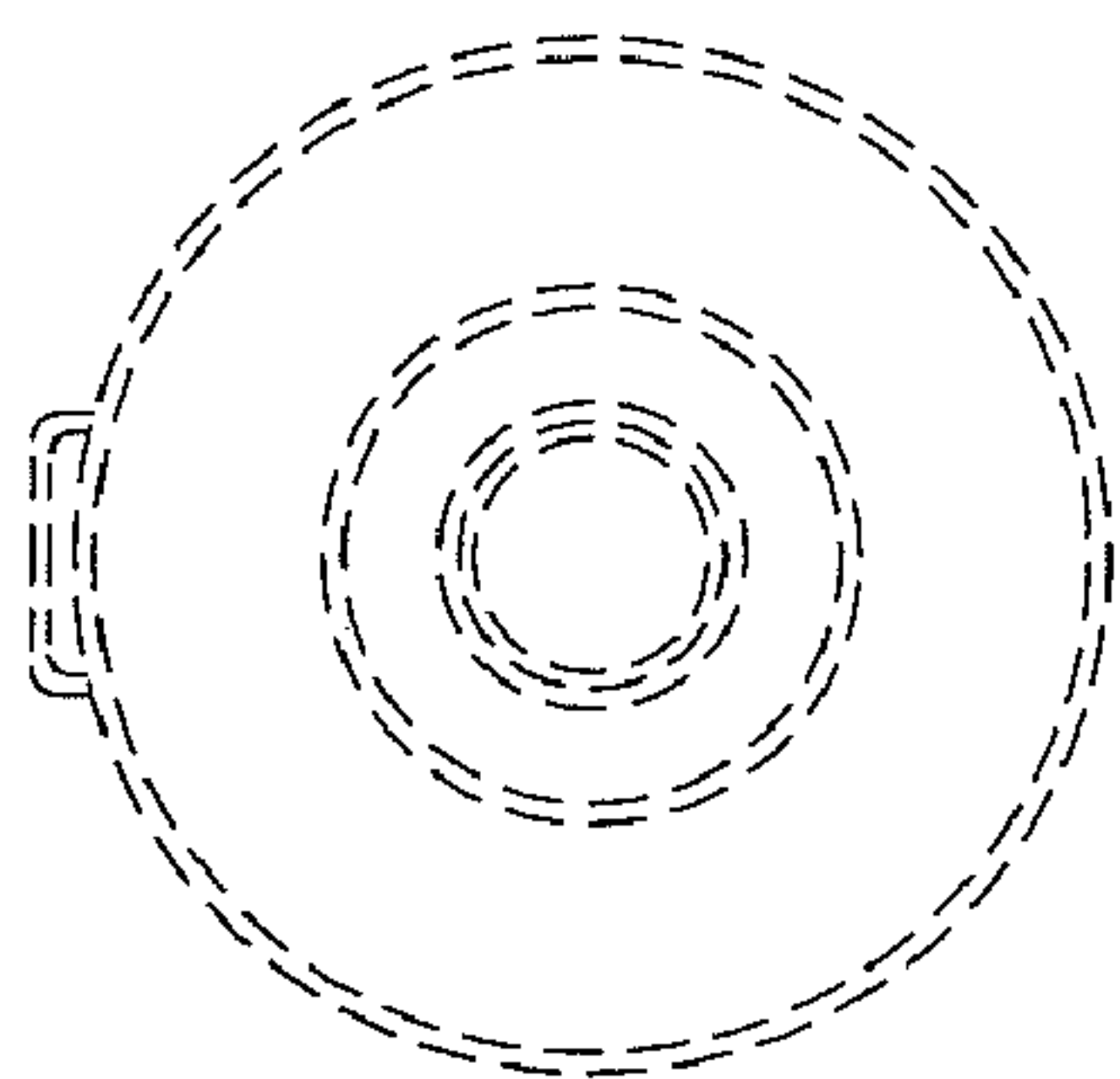


FIGURE 3

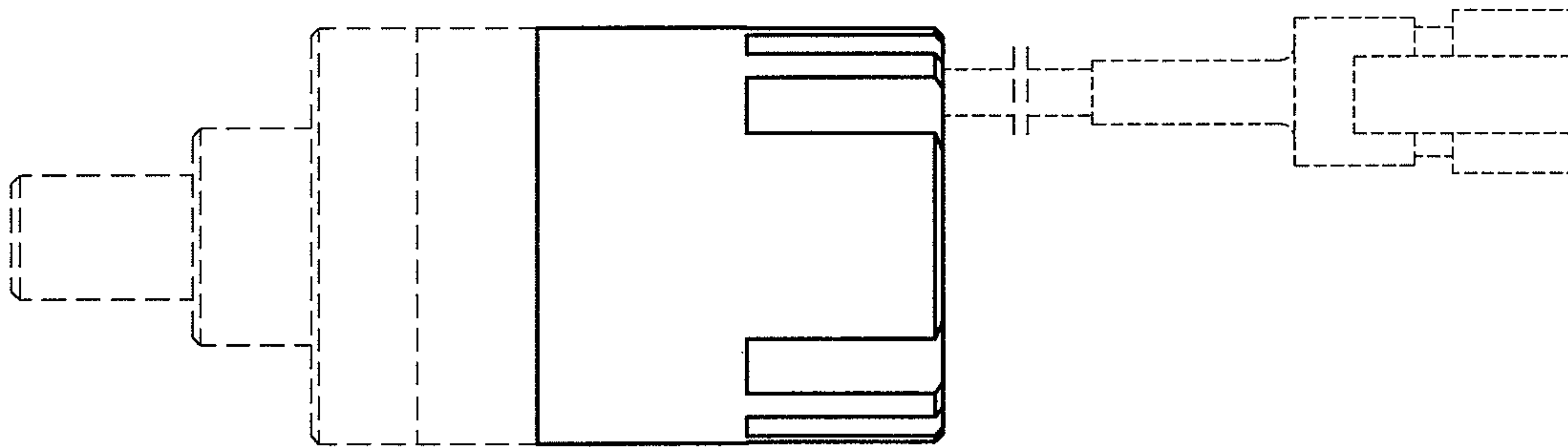


FIGURE 4

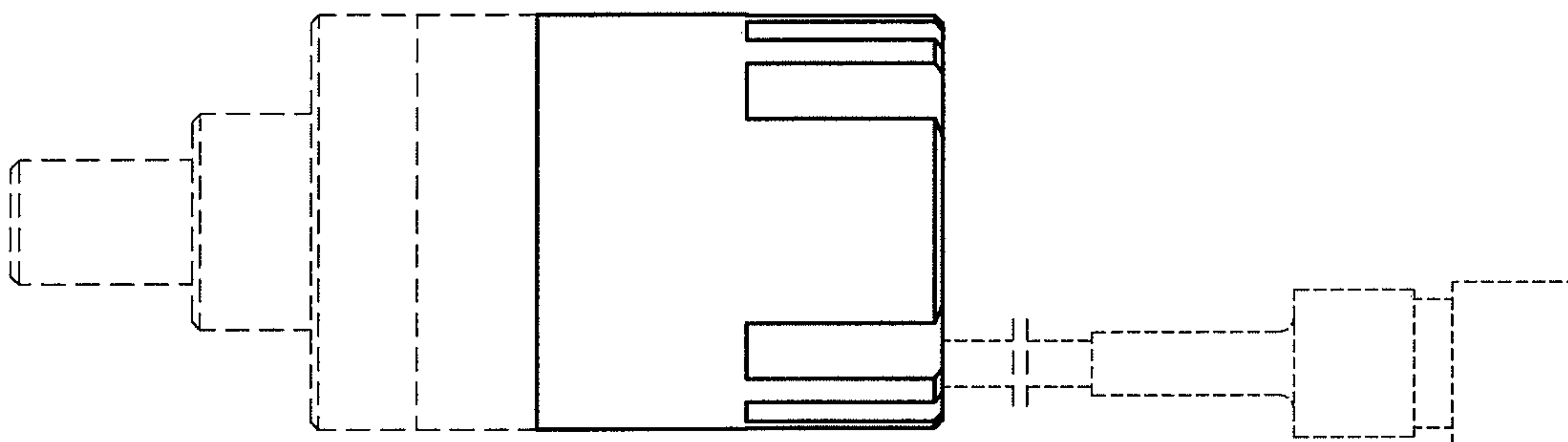


FIGURE 5

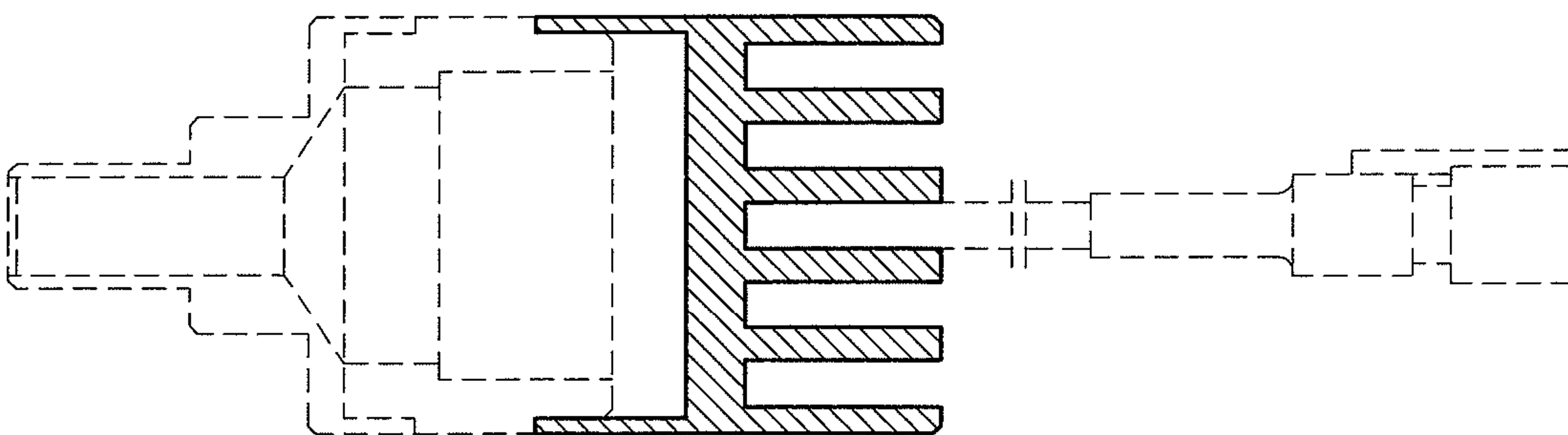


FIGURE 6

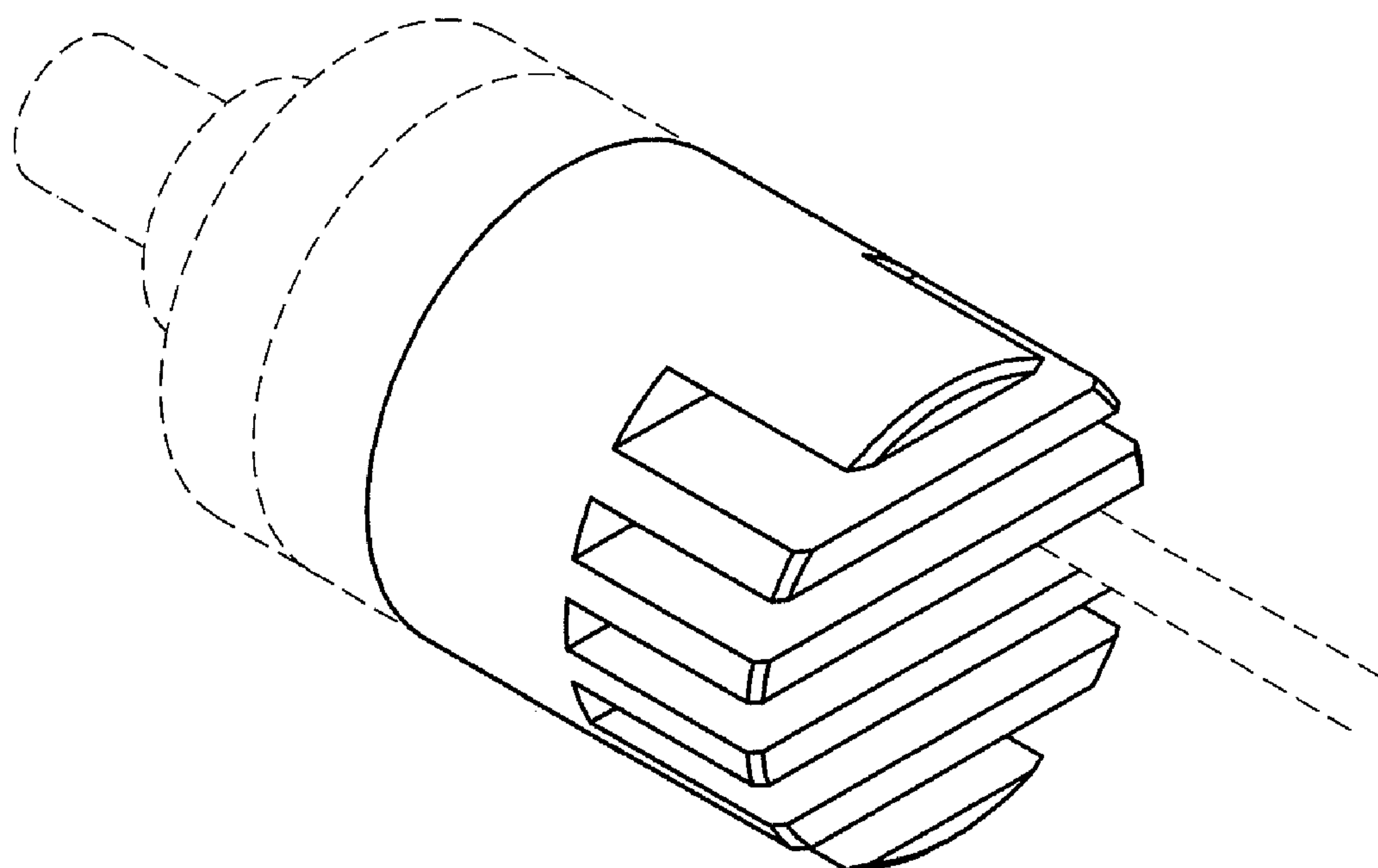


FIGURE 7