

US00D577852S

(12) **United States Design Patent**
Miyairi et al.

(10) **Patent No.:** **US D577,852 S**
(45) **Date of Patent:** **** Sep. 30, 2008**

(54) **LIGHT EMITTING DIODE LENS**

(75) Inventors: **Hiroshi Miyairi**, Kanagawa (JP);
Kazunori Watanabe, Kanagawa (JP)

(73) Assignee: **Nichia Corporation**, Anan-shi (JP)

(**) Term: **14 Years**

(21) Appl. No.: **29/298,321**

(22) Filed: **Dec. 3, 2007**

Related U.S. Application Data

(62) Division of application No. 29/237,429, filed on Sep. 1, 2005, now Pat. No. Des. 563,036.

(30) **Foreign Application Priority Data**

Mar. 2, 2005	(JP)	2005-6010
Mar. 2, 2005	(JP)	2005-6011
Mar. 2, 2005	(JP)	2005-6012
Mar. 2, 2005	(JP)	2005-6013
Mar. 2, 2005	(JP)	2005-6032
Mar. 2, 2005	(JP)	2005-6033
Mar. 2, 2005	(JP)	2005-6034
Mar. 2, 2005	(JP)	2005-6035

(51) **LOC (8) Cl.** **26-99**

(52) **U.S. Cl.** **D26/120**

(58) **Field of Classification Search** D26/142,
D26/35, 46, 60, 61, 104, 113, 120, 123, 124,
D26/135, 63, 138, 64, 80, 67, 37, 3, 28, 24,
D26/122, 118, 88, 68, 85, 86, 87, 128; 362/648,
362/647, 427, 523, 240, 216, 84, 612, 558,
362/559, 555, 545, 311, 294, 249, 235, 307;
D13/110, 133, 182, 180; 439/121, 118
See application file for complete search history.

(56) **References Cited**

U.S. PATENT DOCUMENTS

2,259,321	A *	10/1941	Pahl	362/228
D132,296	S *	5/1942	Hoeveler	D26/122
D190,922	S *	7/1961	Anthony	D26/24

D259,738	S *	6/1981	Boschetti	D24/210
4,879,489	A *	11/1989	Goudy, Jr.	313/15
4,939,627	A *	7/1990	Herst et al.	362/299
D345,316	S *	3/1994	Green et al.	D10/114
D348,950	S *	7/1994	Herst et al.	D26/85
D356,647	S *	3/1995	Jung	D26/24
D384,769	S *	10/1997	Holten	D26/118
D399,329	S *	10/1998	Compton et al.	D26/76
5,848,837	A *	12/1998	Gustafson	362/235
6,050,700	A *	4/2000	Satterfield	362/216
6,113,248	A *	9/2000	Mistopoulos et al.	362/240
6,565,248	B2 *	5/2003	Honguh et al.	362/560
6,582,103	B1 *	6/2003	Popovich et al.	362/307
D476,753	S *	7/2003	Chelf et al.	D26/3
6,612,730	B1 *	9/2003	Ikeda	362/558
6,676,284	B1 *	1/2004	Wynne Willson	362/555
6,850,001	B2 *	2/2005	Takekuma	313/501
2002/0030990	A1 *	3/2002	Wang	362/219
2002/0149934	A1 *	10/2002	Lin	362/240
2007/0019416	A1 *	1/2007	Han et al.	362/307
2007/0121343	A1 *	5/2007	Brown	362/612
2007/0291473	A1 *	12/2007	Traynor	362/106

* cited by examiner

Primary Examiner—Freda S. Nunn

Assistant Examiner—Kevin K Rudzinski

(74) *Attorney, Agent, or Firm*—Global IP Counselors, LLP

(57) **CLAIM**

The ornamental design for a light emitting diode lens, as shown and described.

DESCRIPTION

FIG. 1 is a perspective view of a light emitting diode lens in accordance with a first embodiment of our new design;

FIG. 2 is a top view of the light emitting diode lens in accordance with the first embodiment of our new design;

FIG. 3 is a bottom view of the light emitting diode lens in accordance with the first embodiment of our new design;

FIG. 4 is a front view of the light emitting diode lens in accordance with the first embodiment of our new design;

FIG. 5 is a rear view of the light emitting diode lens in accordance with the first embodiment of our new design;

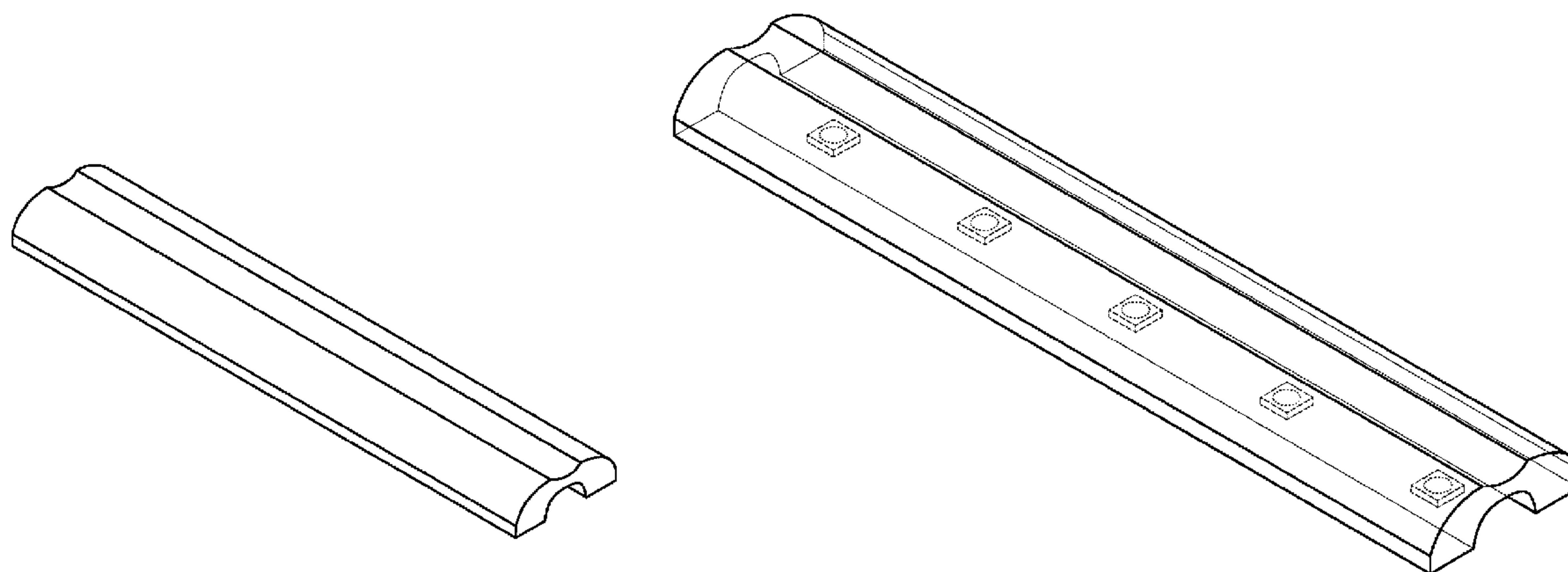


FIG. 6 is a left side view of the light emitting diode lens in accordance with the first embodiment of our new design;

FIG. 7 is a right side view of the light emitting diode lens in accordance with the first embodiment of our new design;

FIG. 8 is a perspective view of the light emitting diode lens in accordance with a second embodiment of our new design, with the showing of inner lines to indicate that the light emitting diode lens of our new design is translucent, the only difference between the second embodiment and the first embodiment being that inner components such as light emitting diodes coupled to the light emitting diode lens are translucently visible in the second embodiment;

FIG. 9 is a perspective view of a light emitting diode lens in accordance with a third embodiment of our new design;

FIG. 10 is a top view of the light emitting diode lens in accordance with the third embodiment of our new design;

FIG. 11 is a bottom view of the light emitting diode lens in accordance with the third embodiment of our new design;

FIG. 12 is a front view of the light emitting diode lens in accordance with the third embodiment of our new design;

FIG. 13 is a rear view of the light emitting diode lens in accordance with the third embodiment of our new design;

FIG. 14 is a left side view of the light emitting diode lens in accordance with the third embodiment of our new design;

FIG. 15 is a right side view of the light emitting diode lens in accordance with the third embodiment of our new design; and,

FIG. 16 is a perspective view of the light emitting diode lens in accordance with a fourth embodiment of our new design, with the showing of inner lines to indicate that the light emitting diode lens of our new design is translucent, the only difference between the fourth embodiment and the third embodiment being that an inner component such as a light emitting diode coupled to the light emitting diode lens is translucently visible in the fourth embodiment.

The broken line showing of environment in the Figures is for illustrative purposes only and forms no part of the claimed design. Particularly, the number of the light emitting diodes to be disposed underneath the light emitting diode lens is not limited to those shown in the Figures.

1 Claim, 8 Drawing Sheets

Figure 1

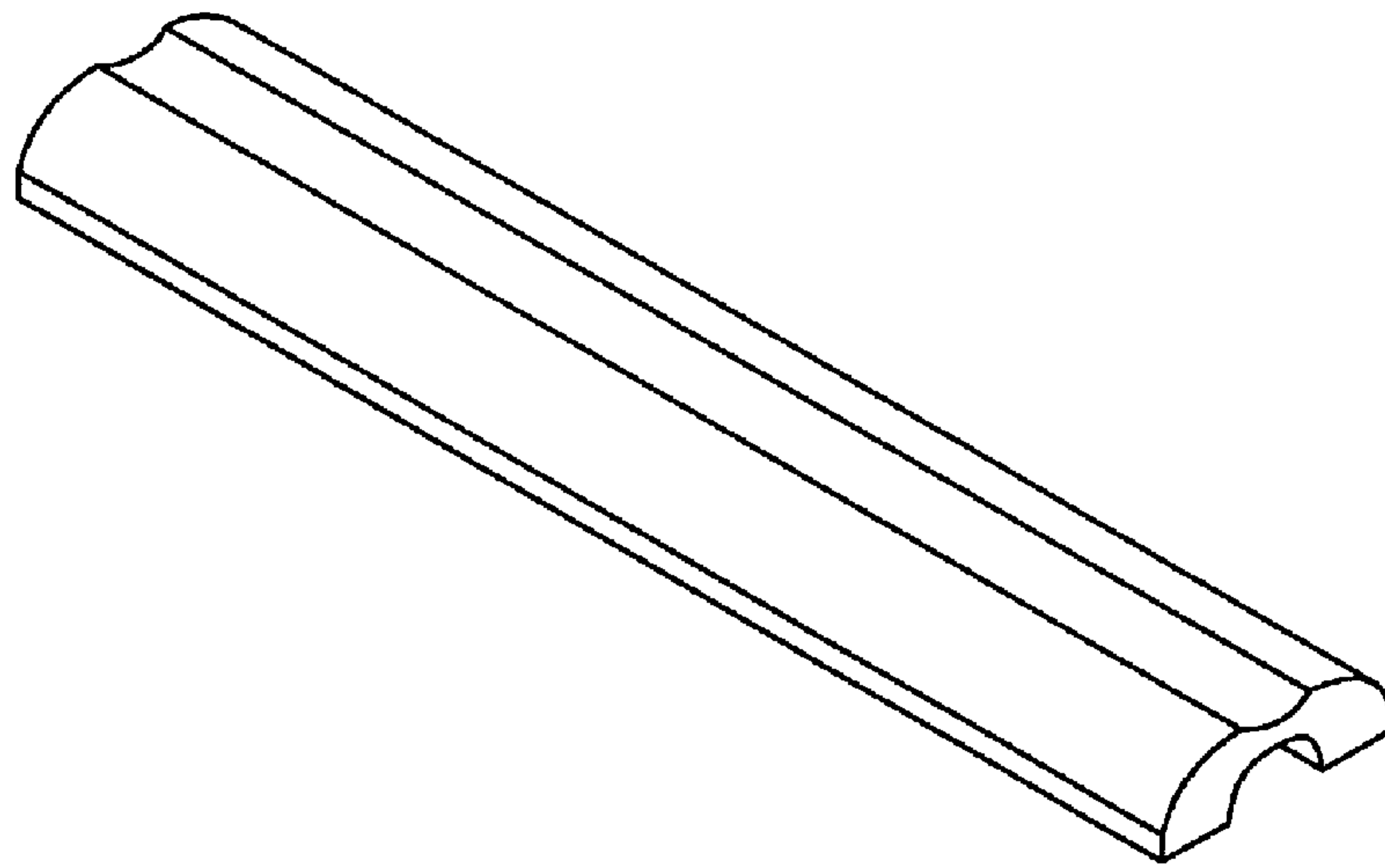


Figure 2

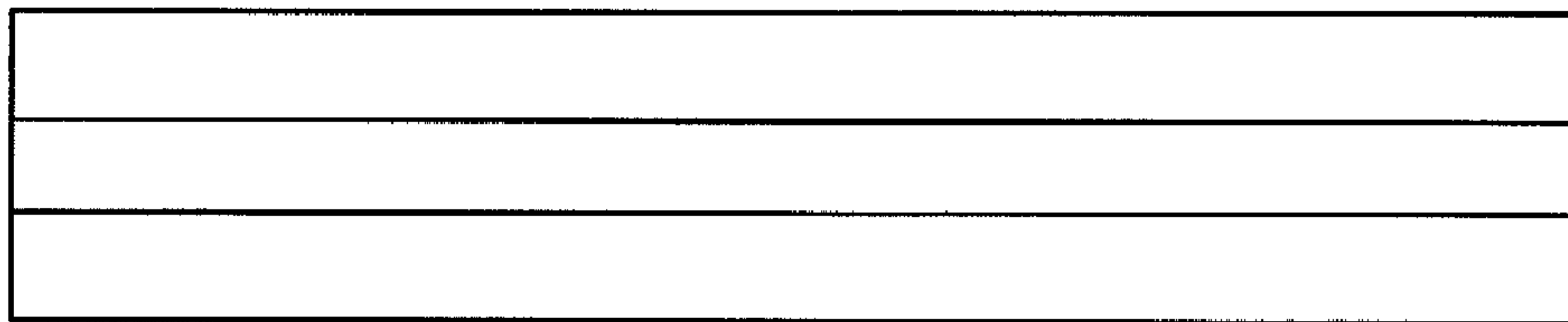


Figure 3

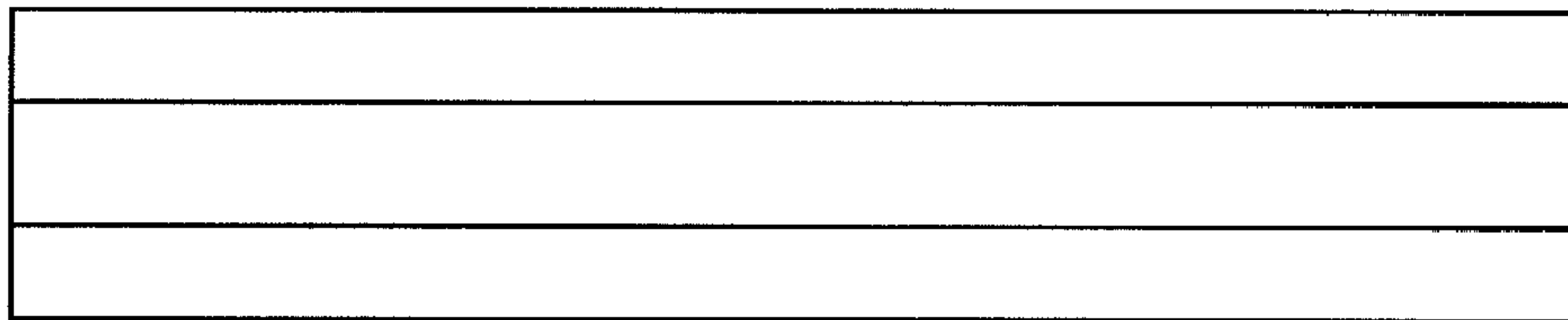


Figure 4

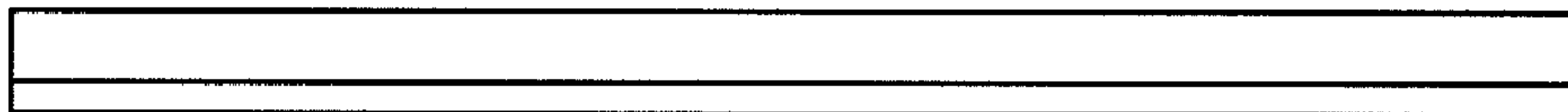


Figure 5



Figure 6



Figure 7



Figure 8

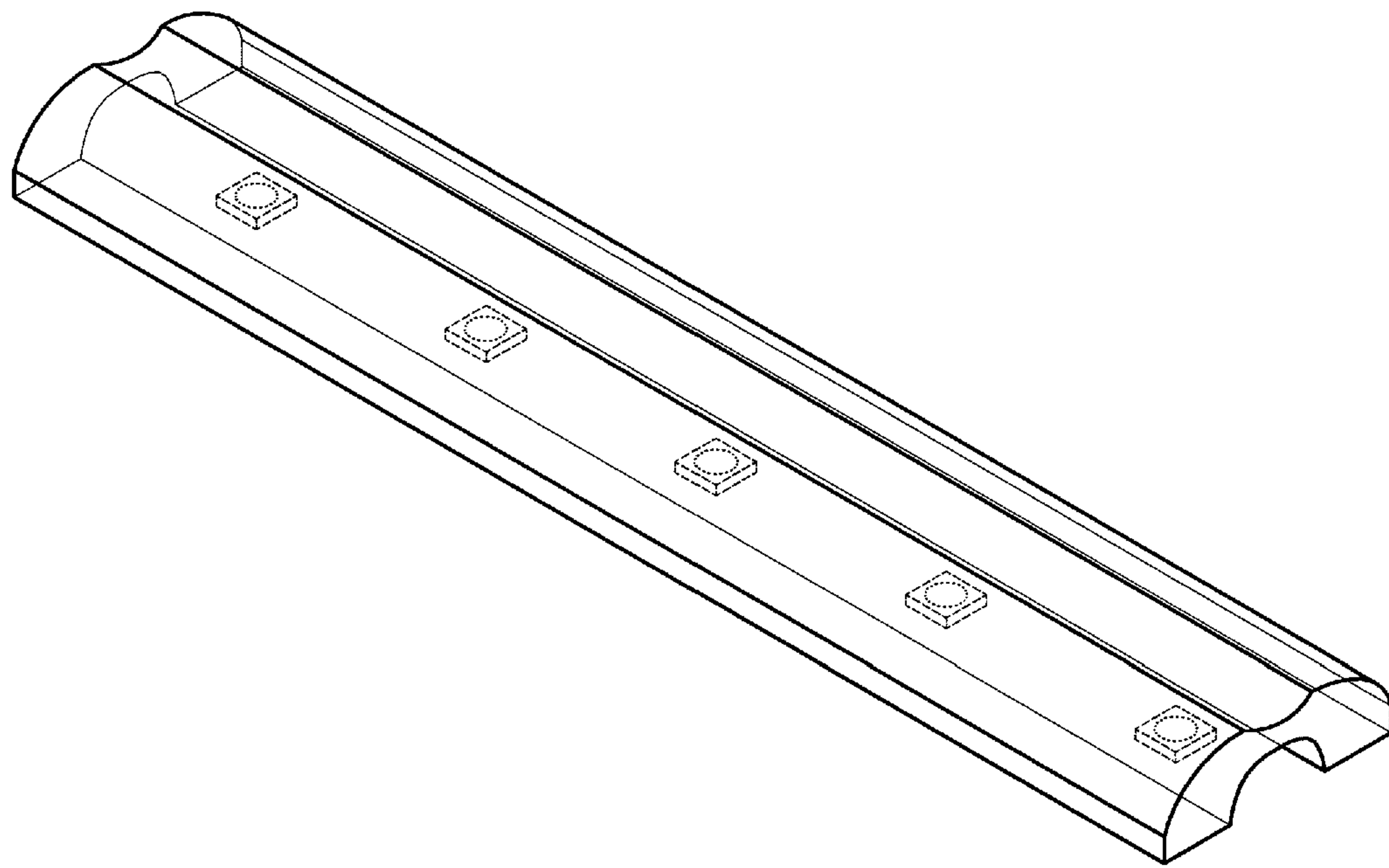


Figure 9

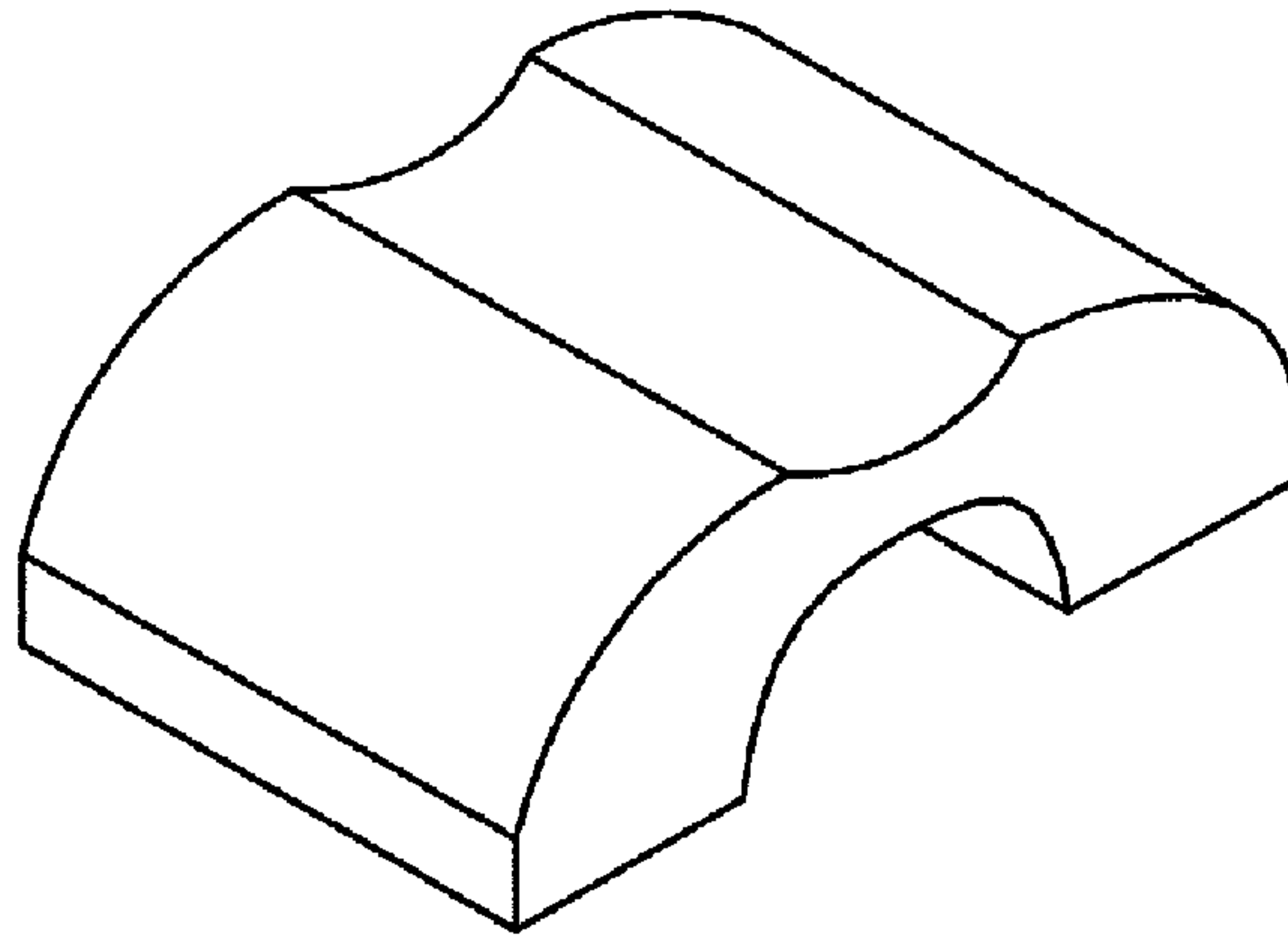


Figure 10

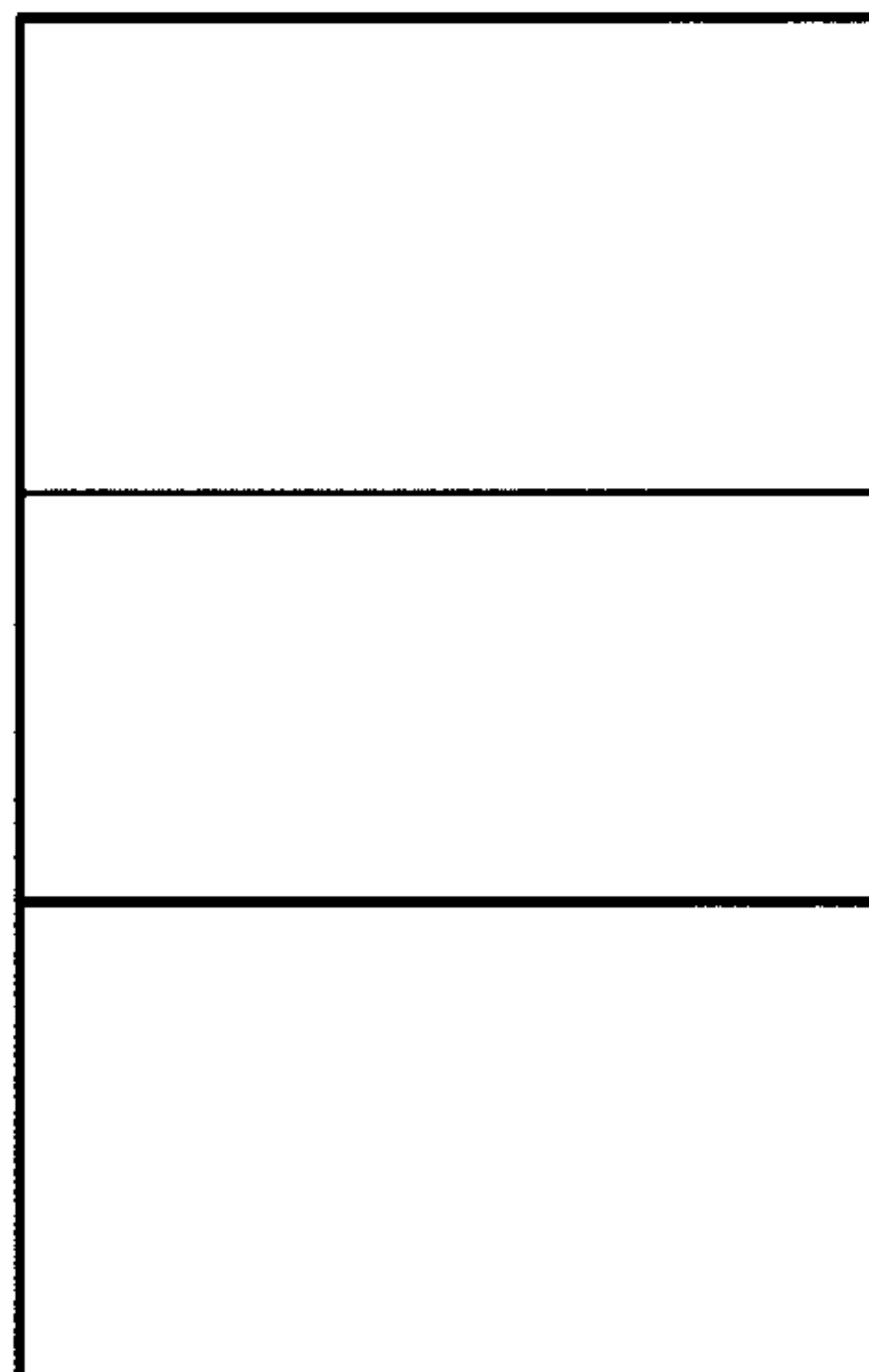


Figure 11

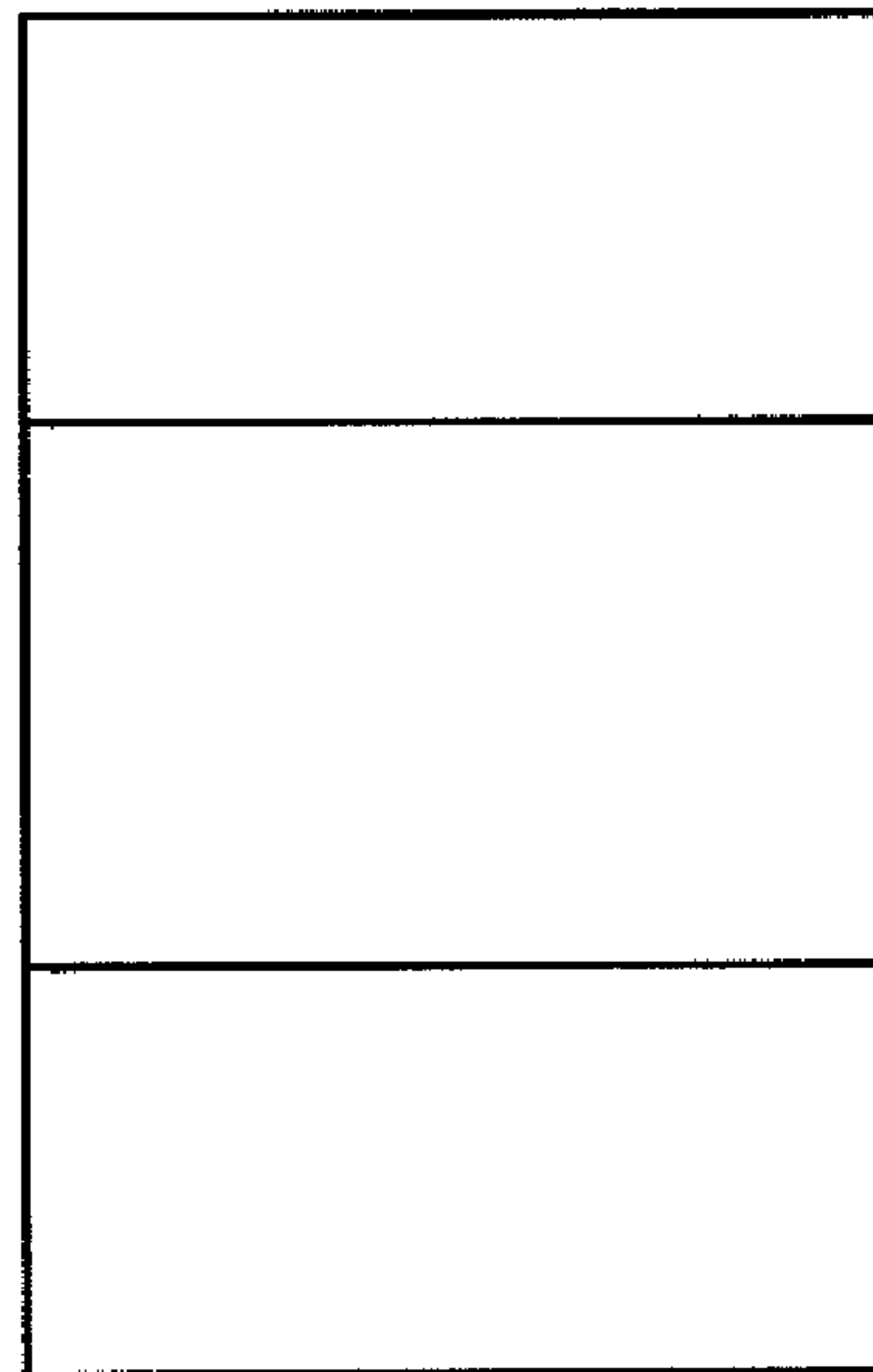


Figure 12

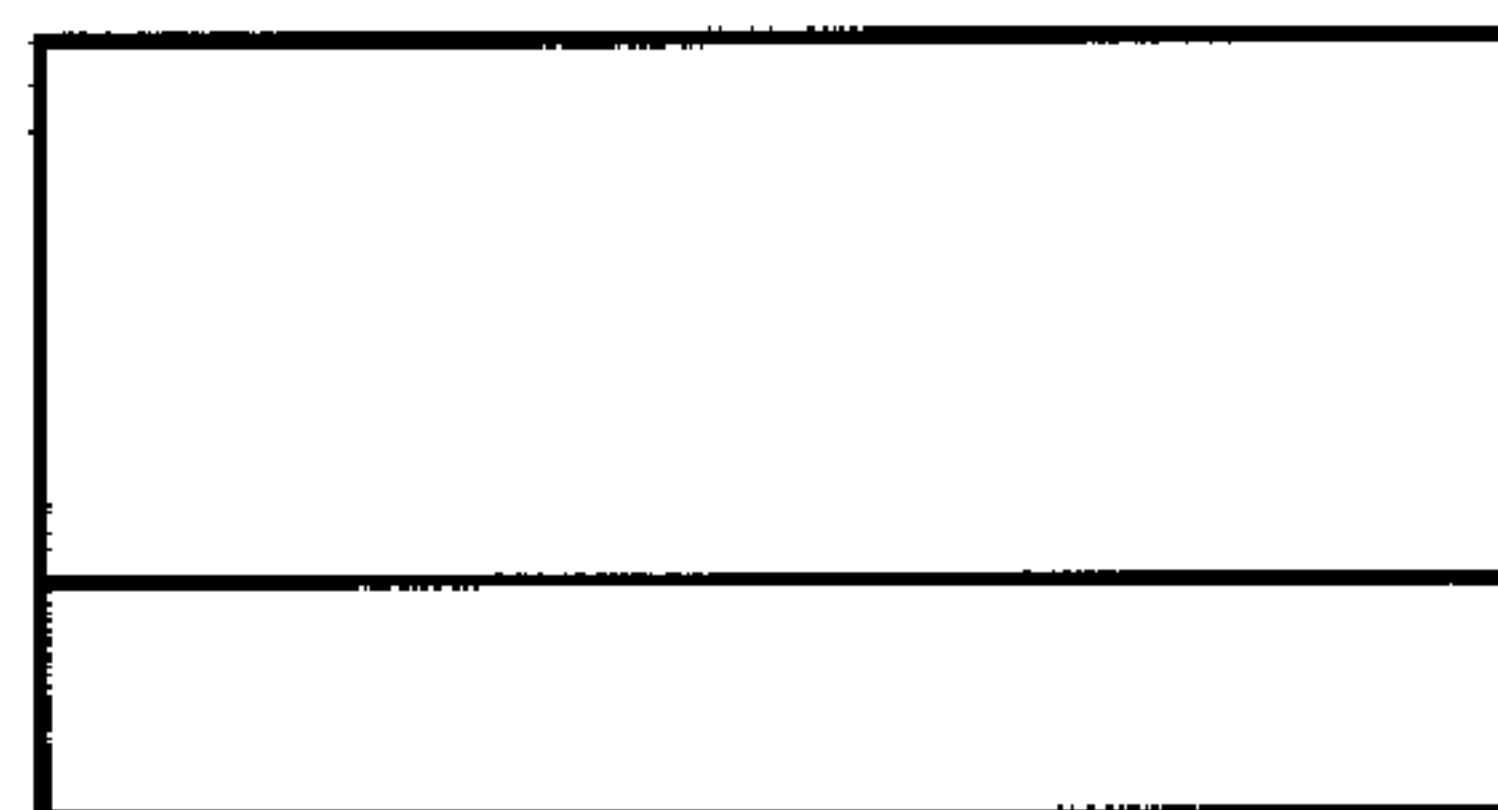


Figure 13

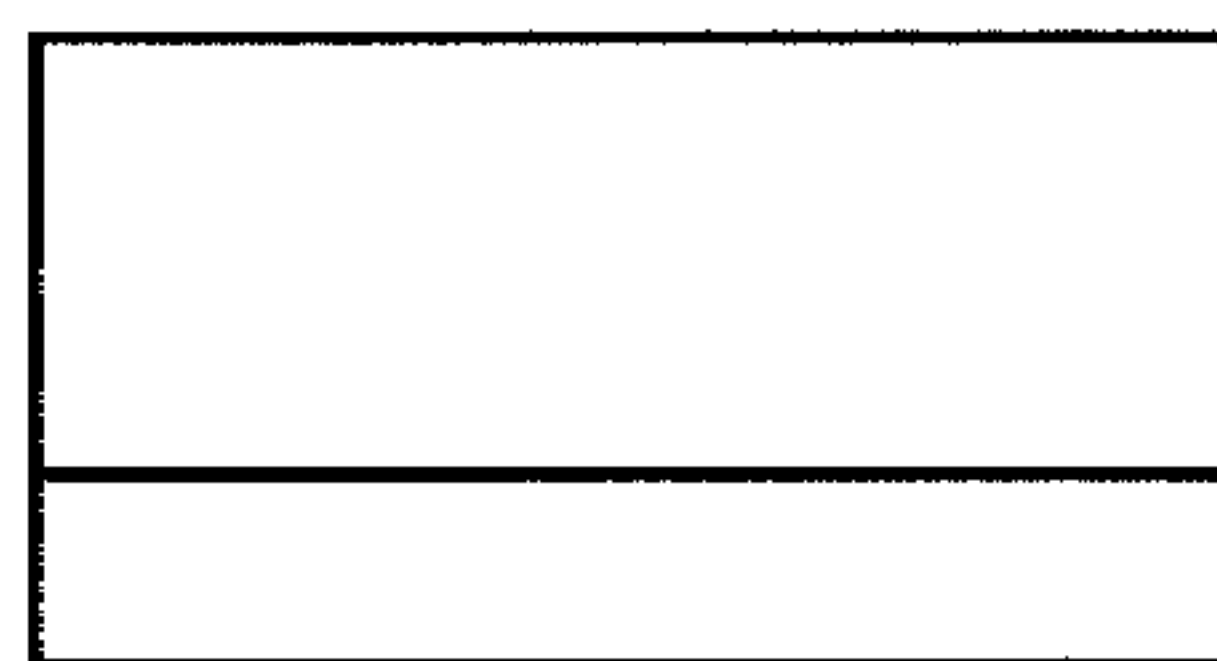


Figure 14

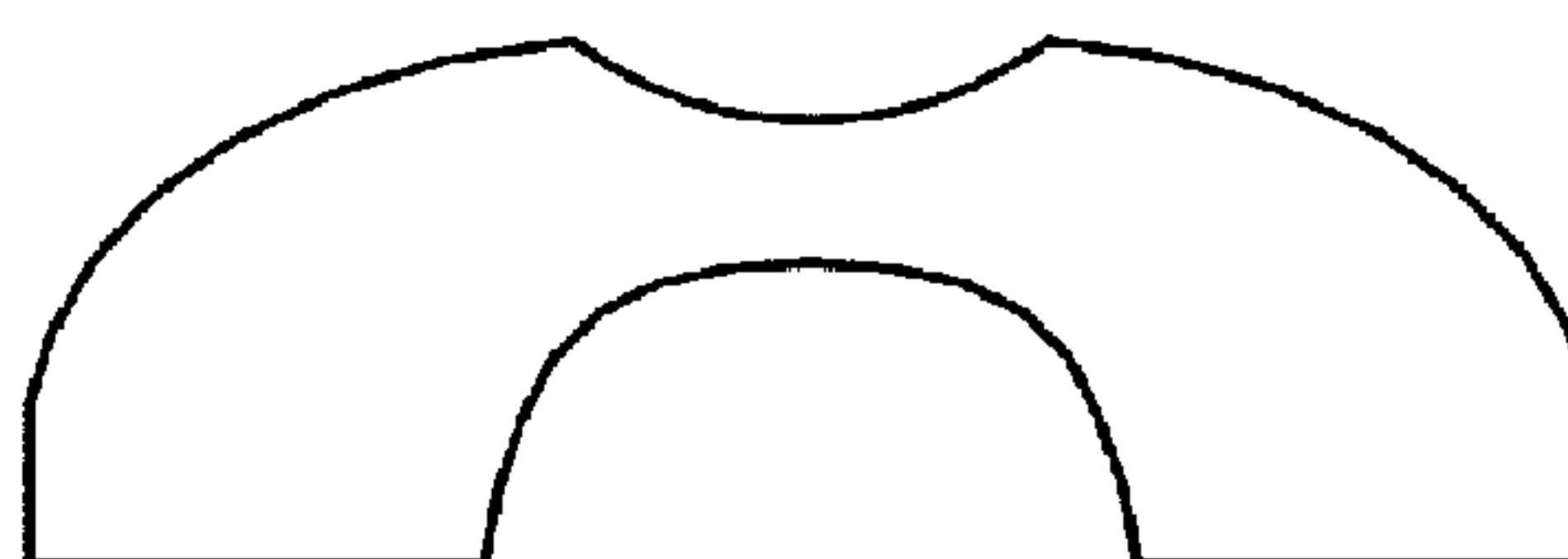


Figure 15

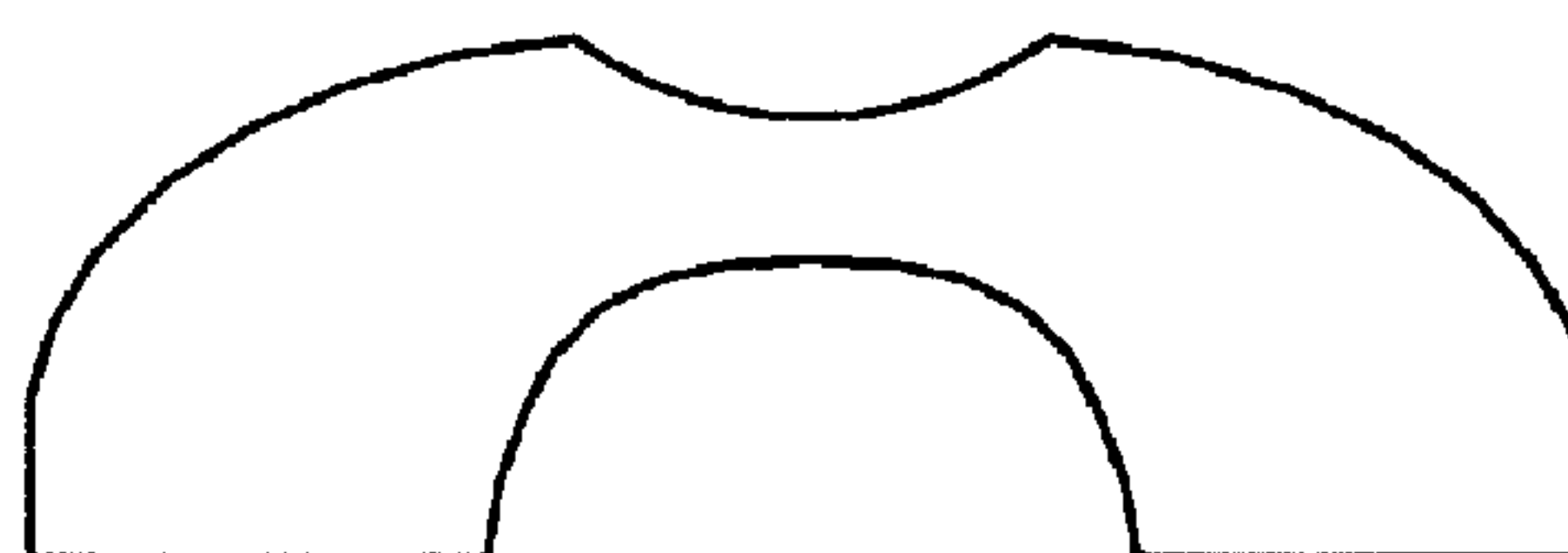


Figure 16

