



US00D577845S

(12) **United States Design Patent**
Shiu

(10) **Patent No.:** **US D577,845 S**

(45) **Date of Patent:** **** Sep. 30, 2008**

(54) **FLASHLIGHT**

D522,154 S * 5/2006 Man D26/49
D536,117 S * 1/2007 Krieger et al. D26/49
D549,376 S * 8/2007 Shiu D26/49

(75) Inventor: **Stephanie Wai Man Shiu**, Kowloon
(HK)

(73) Assignee: **Gold Coral International Limited**, San
Po Kong, Kowloon (HK)

(**) Term: **14 Years**

(21) Appl. No.: **29/303,953**

(22) Filed: **Feb. 21, 2008**

(30) **Foreign Application Priority Data**

Aug. 31, 2007 (HK) 0702188.6M001

(51) **LOC (8) Cl.** **26-02**

(52) **U.S. Cl.** **D26/49**

(58) **Field of Classification Search** D26/37-50;
362/157, 158, 171-174, 183-208
See application file for complete search history.

(56) **References Cited**

U.S. PATENT DOCUMENTS

D486,936 S * 2/2004 Shiu D26/49

* cited by examiner

Primary Examiner—Marcus A. Jackson

(74) *Attorney, Agent, or Firm*—Joseph G. Swan, PC

(57) **CLAIM**

The ornamental design for a flashlight, as shown and described.

DESCRIPTION

FIG. 1 is a bottom plan view of a flashlight according to the present invention.

FIG. 2 is a right side elevational view of the flashlight.

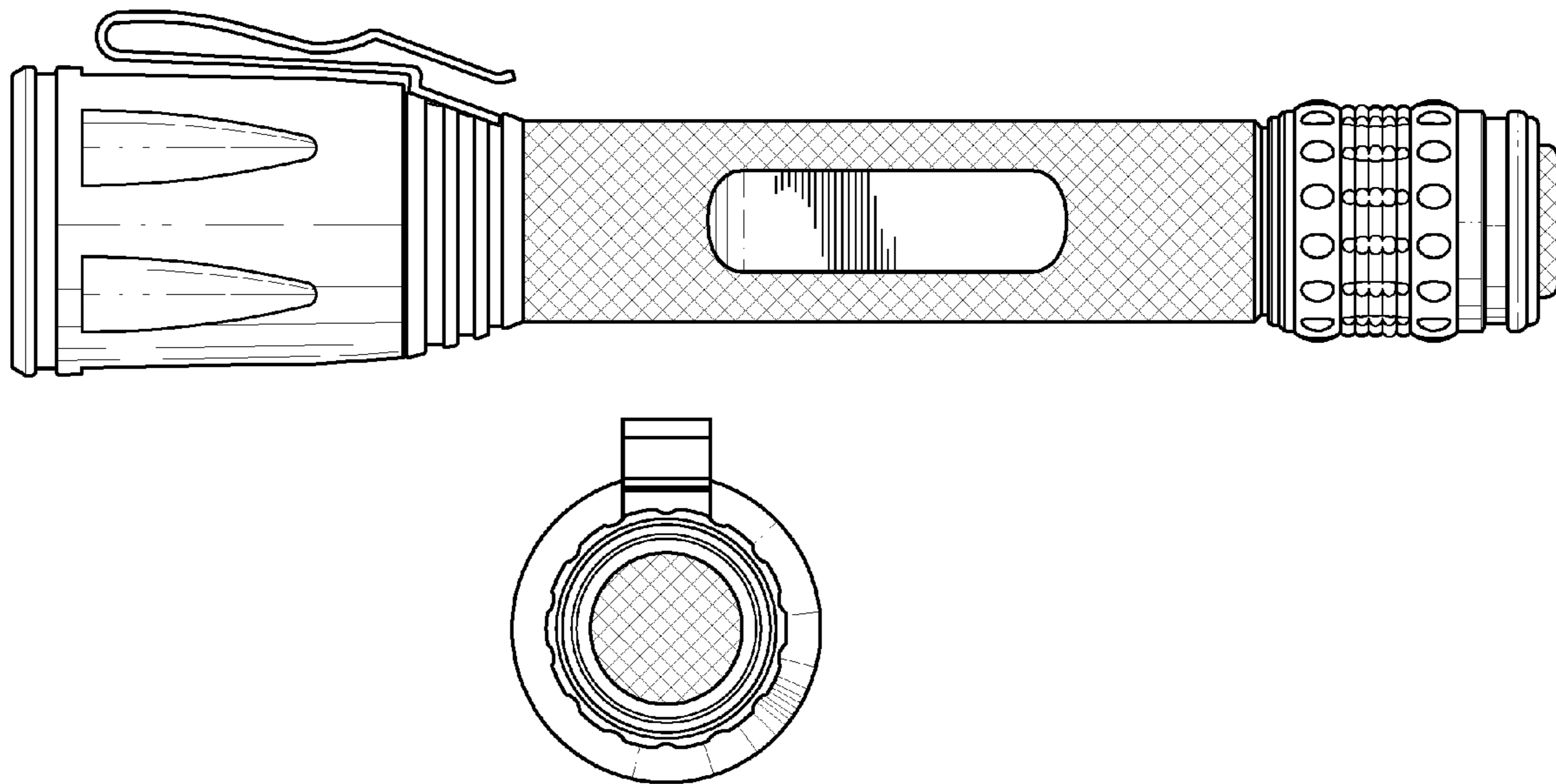
FIG. 3 is a top plan view of the flashlight.

FIG. 4 is a left side elevational view of the flashlight.

FIG. 5 is a front elevational view of the flashlight; and,

FIG. 6 is a rear elevational view of the flashlight.

1 Claim, 2 Drawing Sheets



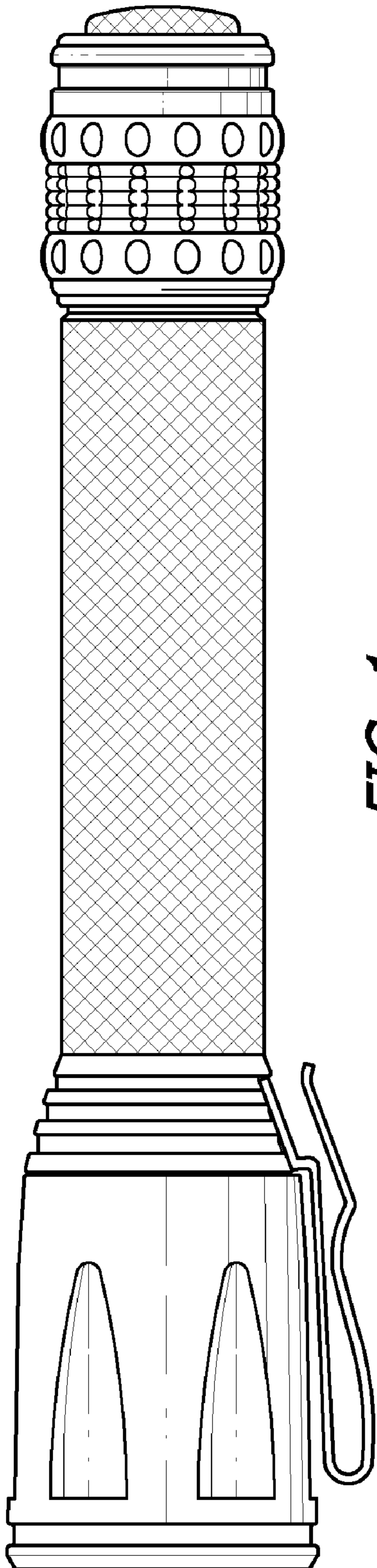


FIG. 1

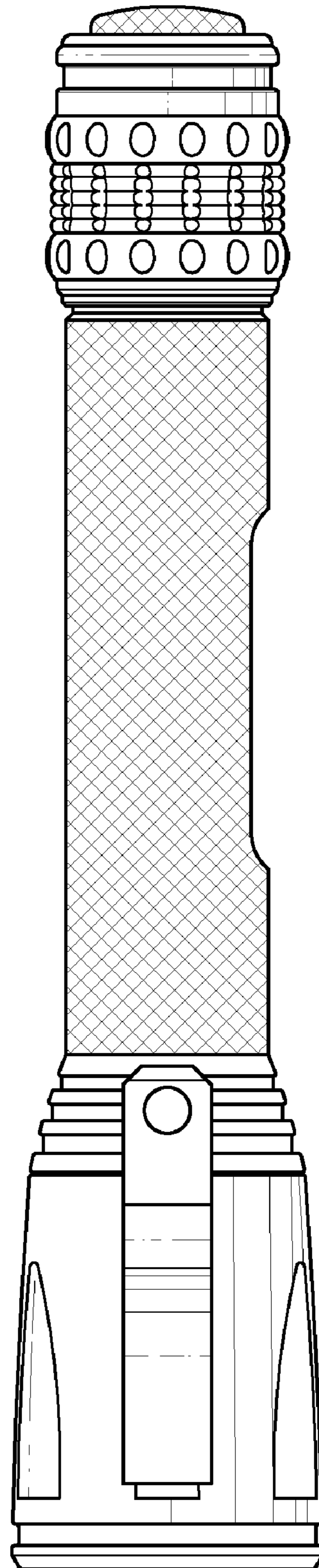


FIG. 2

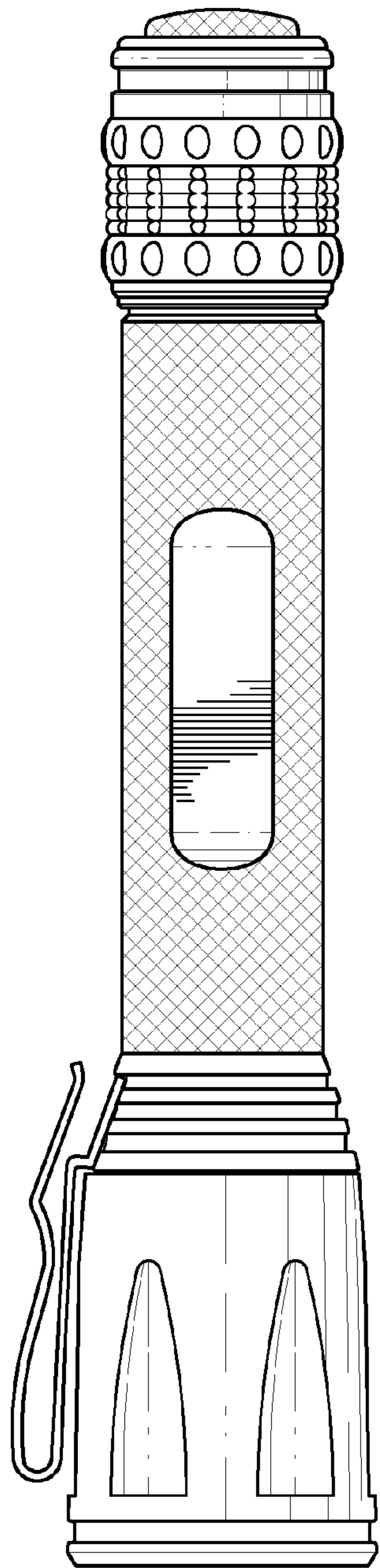


FIG. 3

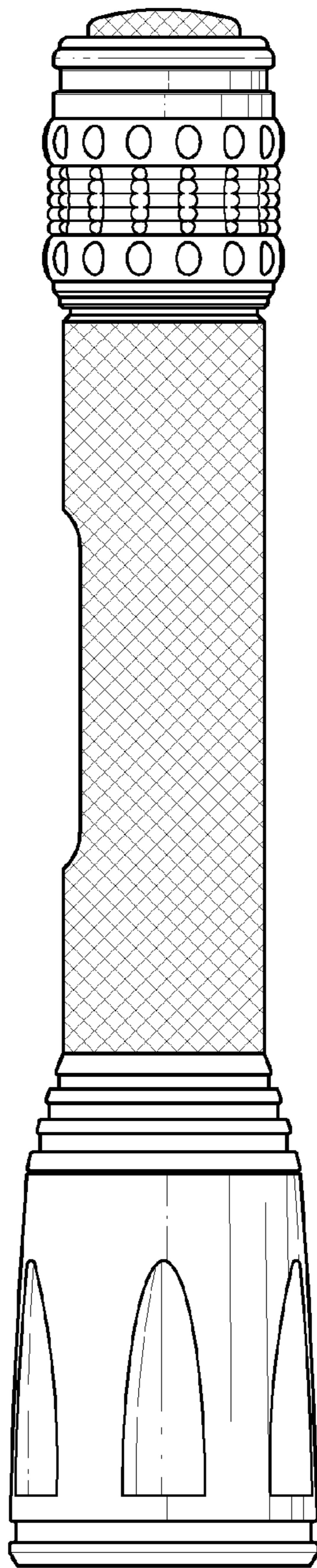


FIG. 4

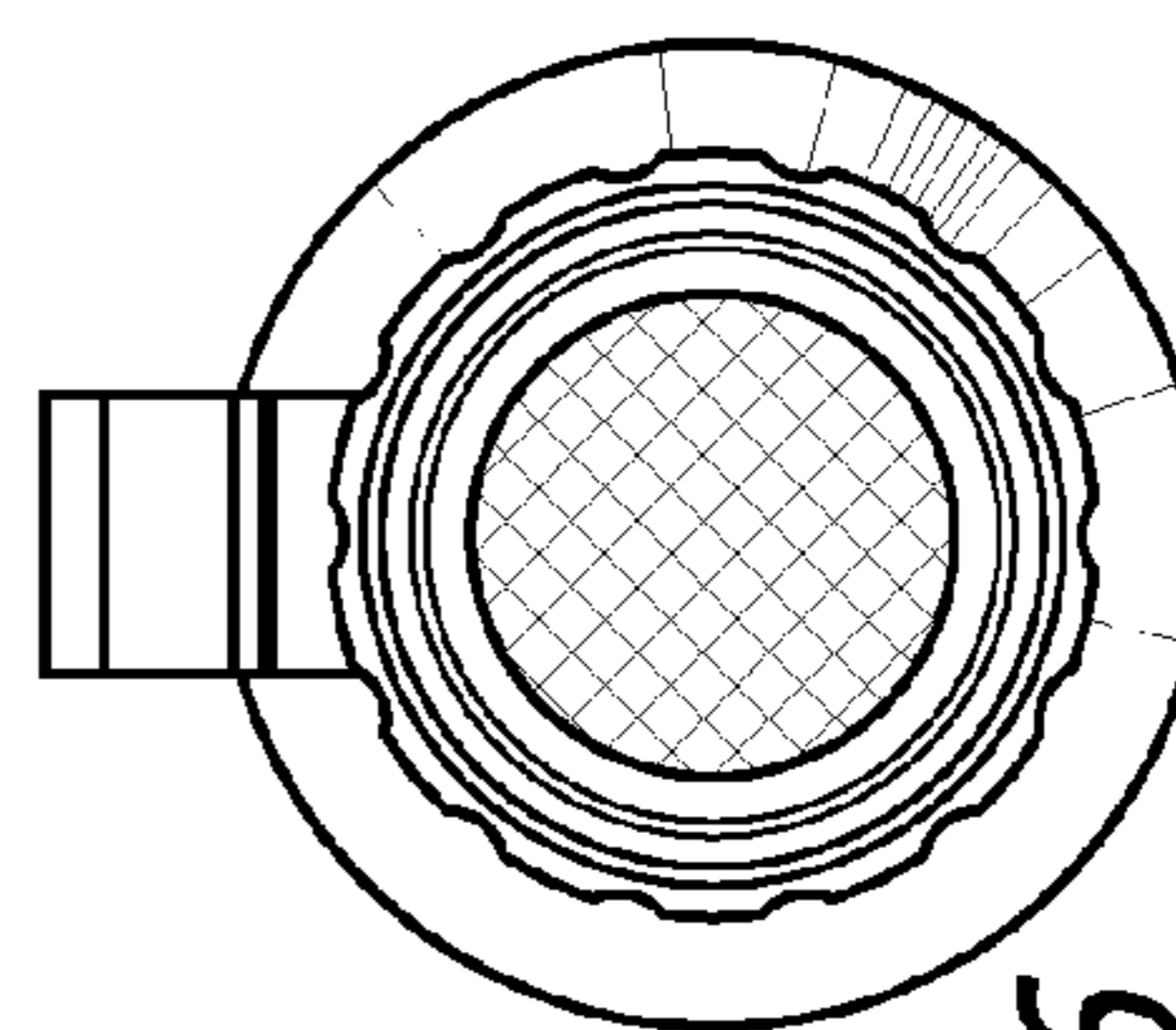


FIG. 6

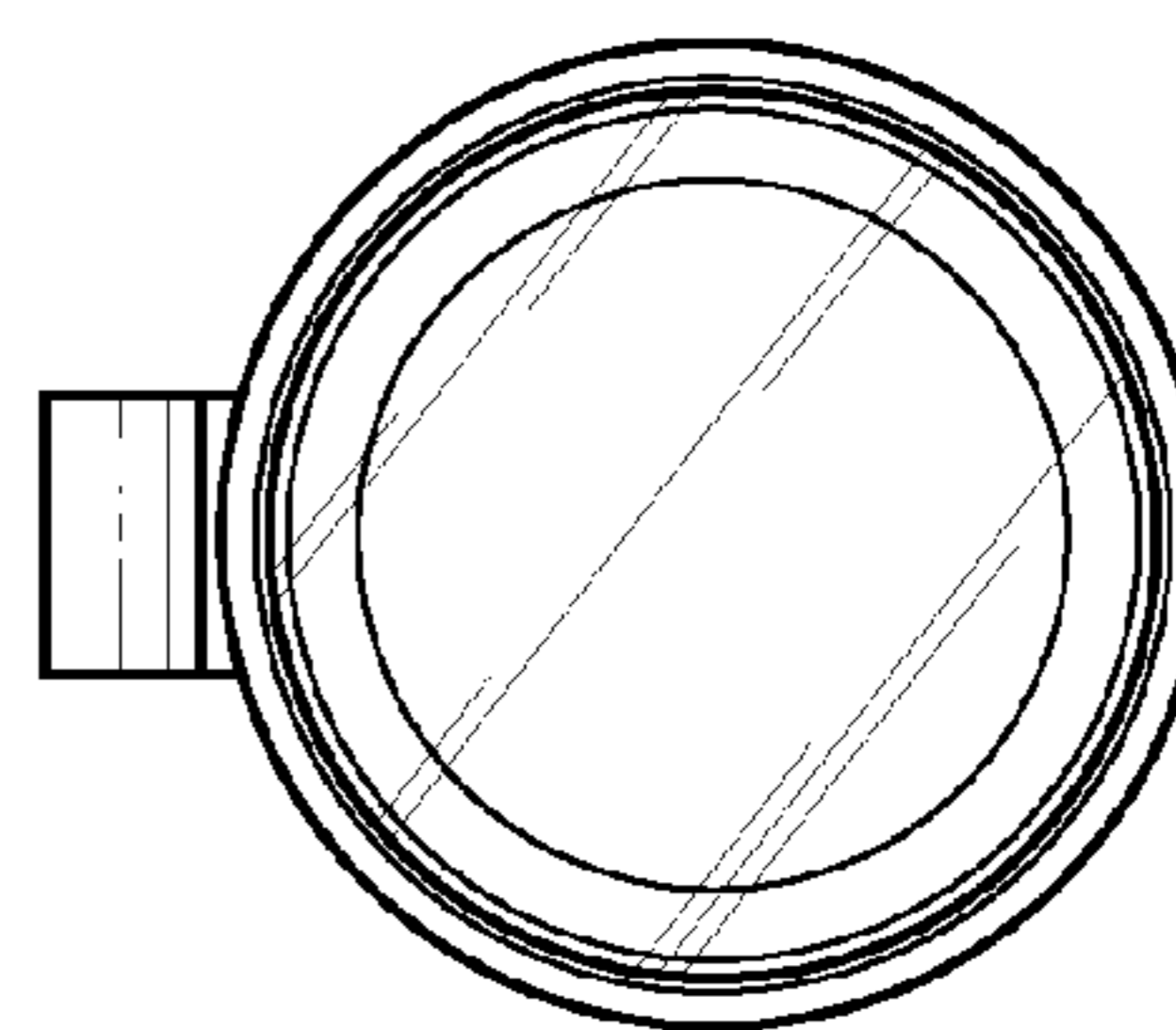


FIG. 5