



US00D577843S

(12) **United States Design Patent**
Couture et al.

(10) **Patent No.:** **US D577,843 S**

(45) **Date of Patent:** **** Sep. 30, 2008**

(54) **FLASHLIGHT**

Primary Examiner—Marcus A. Jackson

(75) Inventors: **Eric D. Couture**, Manchester, NH (US);
Ronald W. Ciccone, Jr., Bedford, NH
(US); **Alan T. Howe**, Merrimack, NH
(US); **Charles Goodspeed**,
Londonderry, NH (US)

(57) **CLAIM**

The ornamental design for a flashlight, as shown and described.

(73) Assignee: **Insight Technology Incorporated**,
Londonderry, NH (US)

DESCRIPTION

(**) Term: **14 Years**

FIG. 1 is a first perspective view of a first flashlight of the present invention;

(21) Appl. No.: **29/302,993**

FIG. 2 is a second perspective view of the flashlight of FIG. 1;

(22) Filed: **Jan. 30, 2008**

FIG. 3 is a front view of the flashlight of FIG. 1;

(51) **LOC (8) Cl.** **26-02**

FIG. 4 is rear view of the flashlight of FIG. 1;

(52) **U.S. Cl.** **D26/49**

FIG. 5 is a left side view of the flashlight of FIG. 1;

(58) **Field of Classification Search** D26/37-50;
362/157, 158, 171-174, 183-208

FIG. 6 is a right side view of the flashlight of FIG. 1

See application file for complete search history.

FIG. 7 is a first perspective view of a second flashlight of the present invention;

(56) **References Cited**

FIG. 8 is a second perspective view of the flashlight of FIG. 7;

U.S. PATENT DOCUMENTS

FIG. 9 is a front view of the flashlight of FIG. 7;

D523,163 S * 6/2006 Man D26/49

FIG. 10 is rear view of the flashlight of FIG. 7;

D546,492 S * 7/2007 Garrity D26/49

FIG. 11 is a left side view of the flashlight of FIG. 7; and,

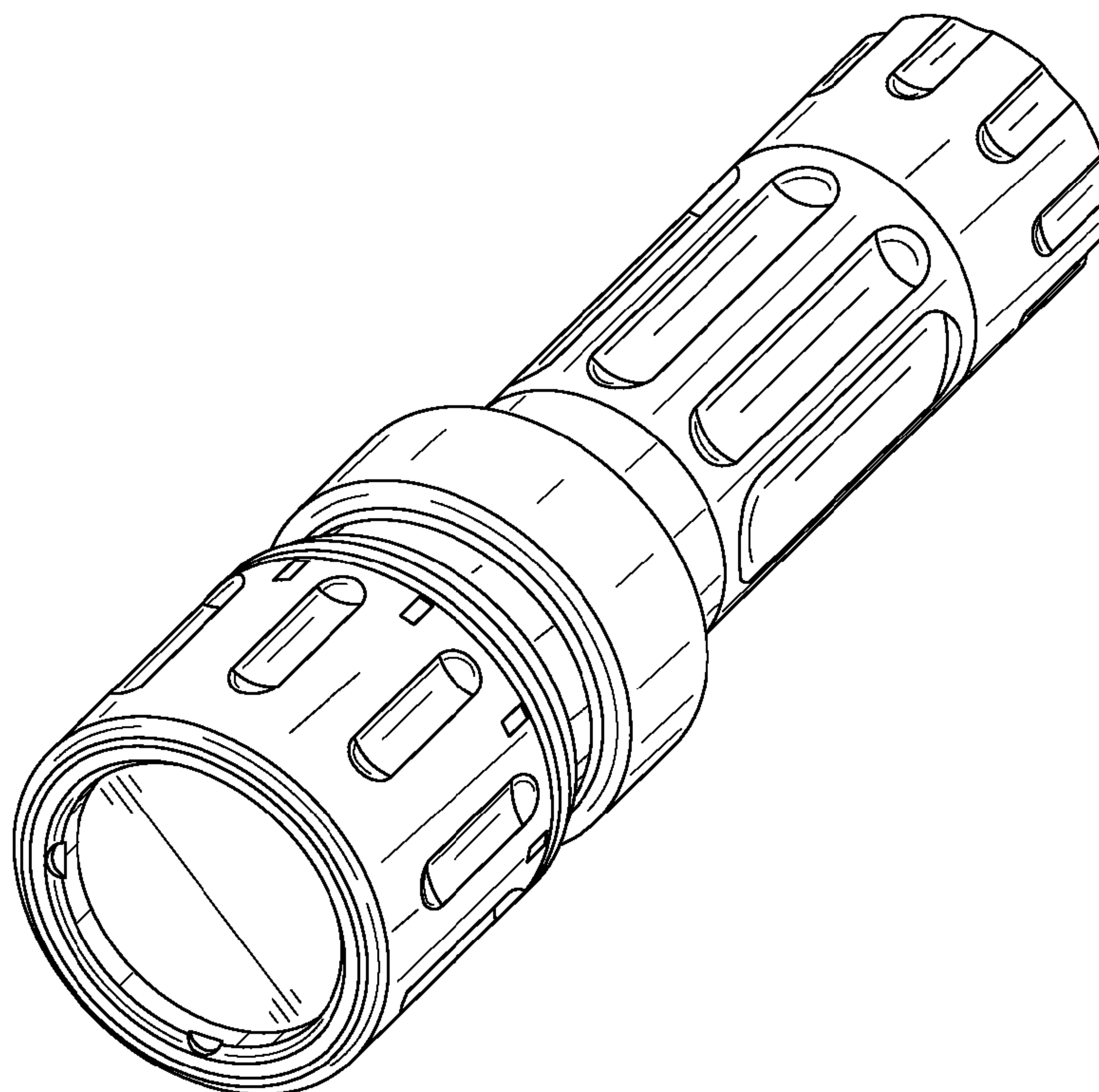
D554,787 S * 11/2007 Shiu D26/49

FIG. 12 is a right side view of the flashlight of FIG. 7.

D565,220 S * 3/2008 Galli D26/49

* cited by examiner

1 Claim, 12 Drawing Sheets



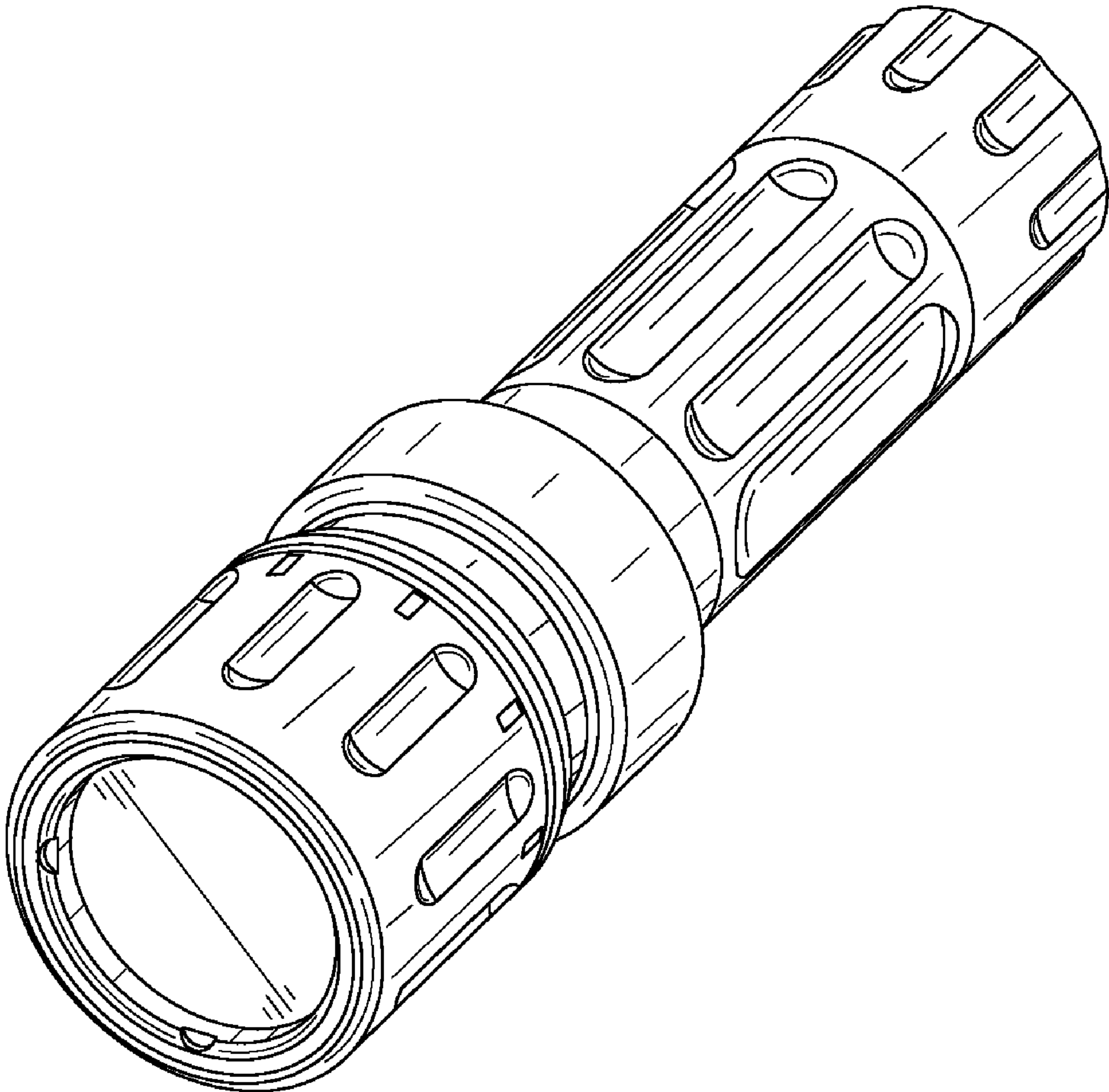


FIG. 1

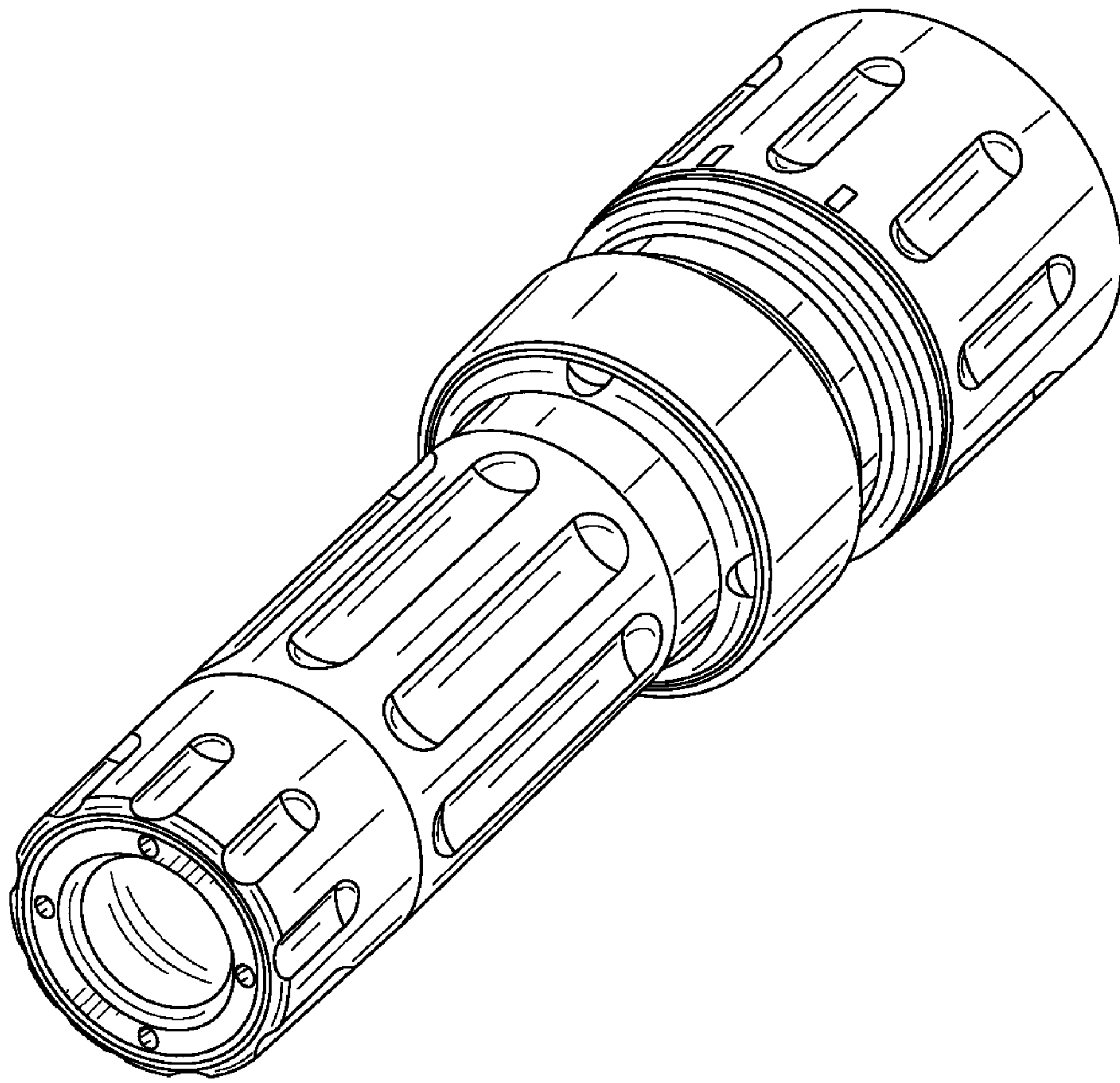


FIG. 2

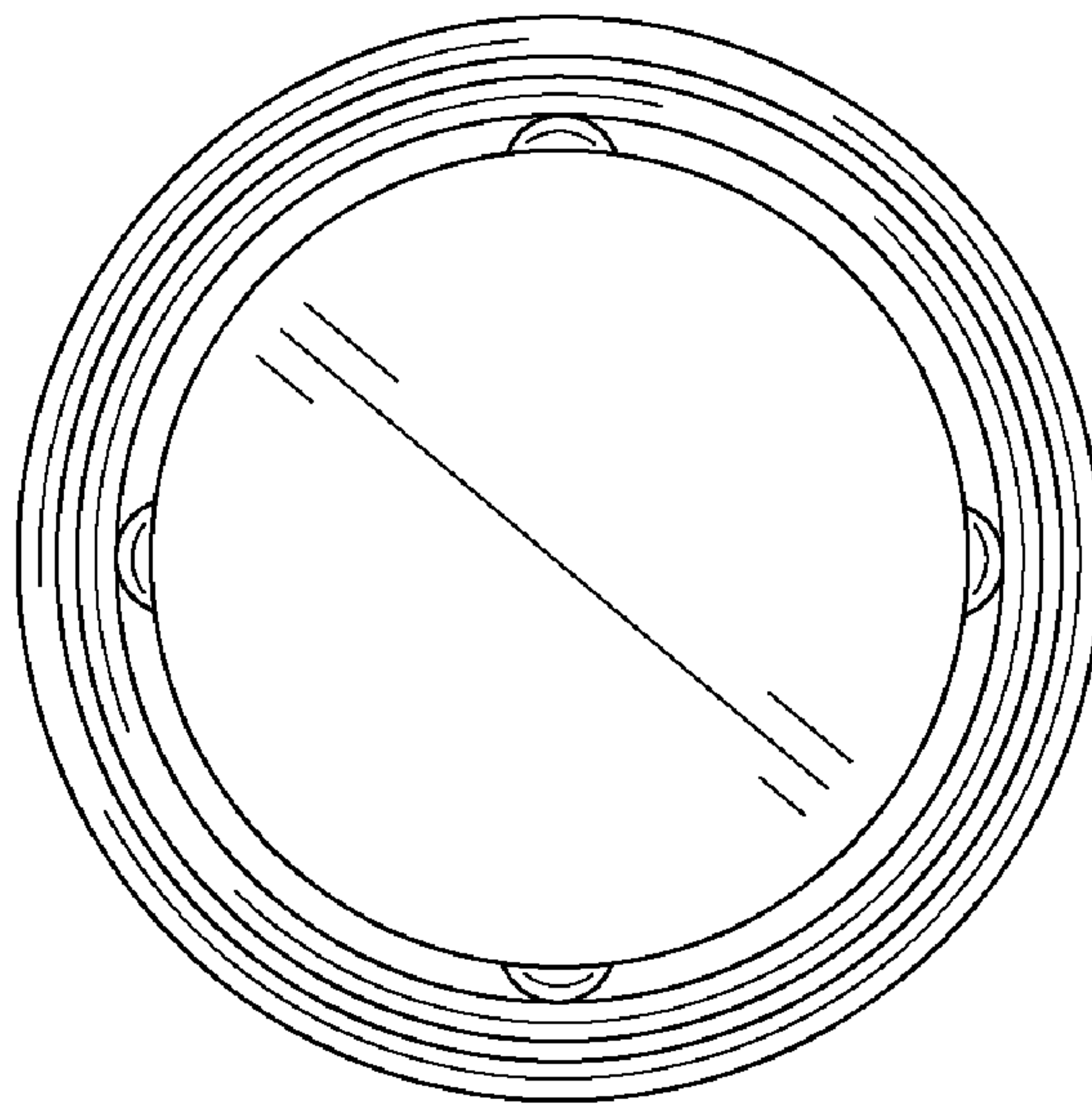


FIG. 3

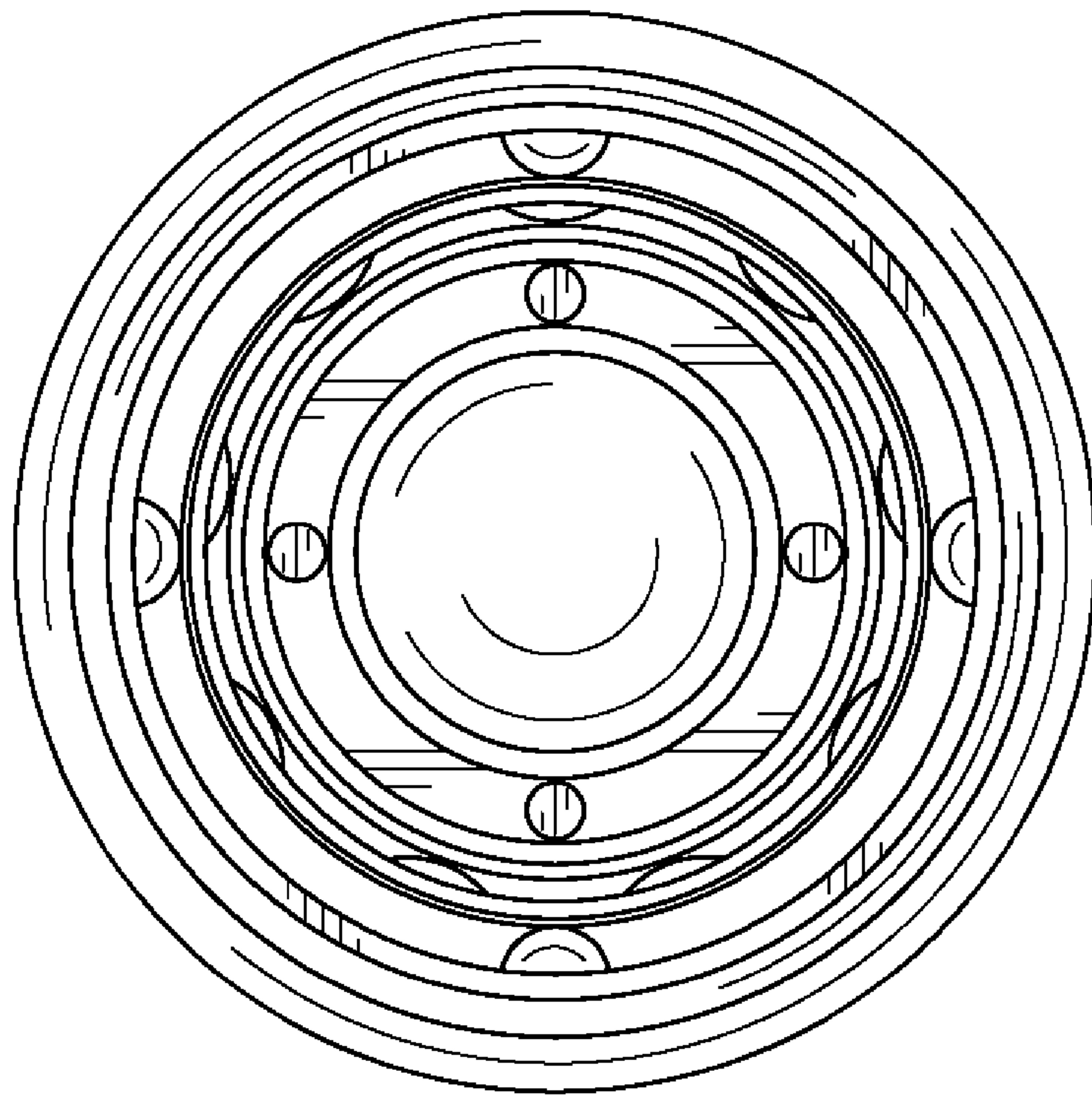


FIG. 4

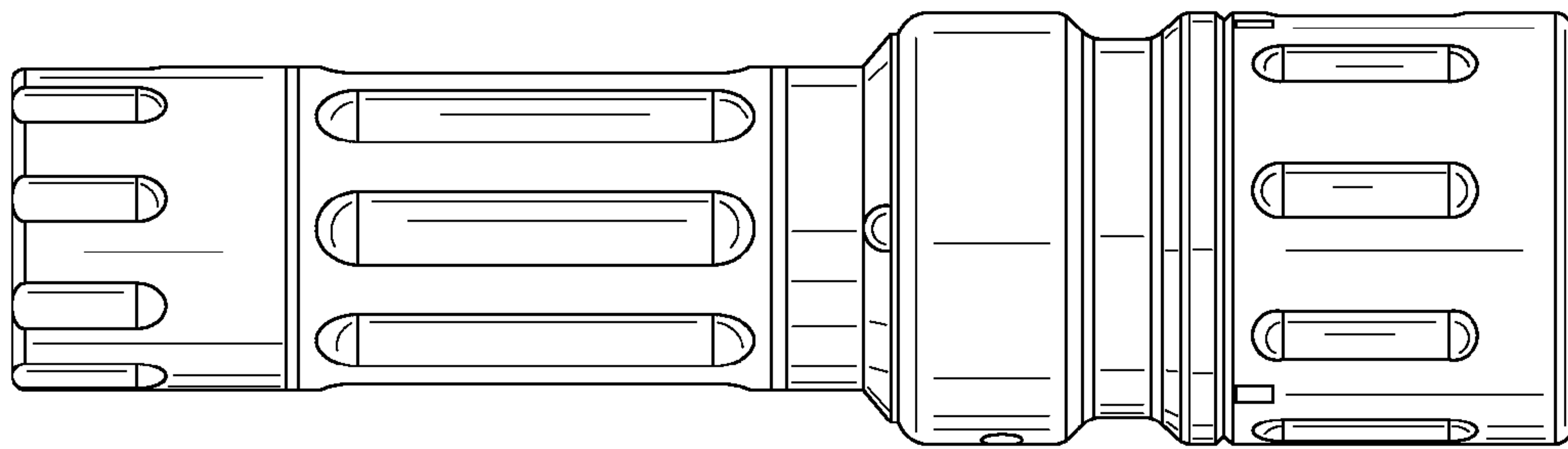


FIG. 5

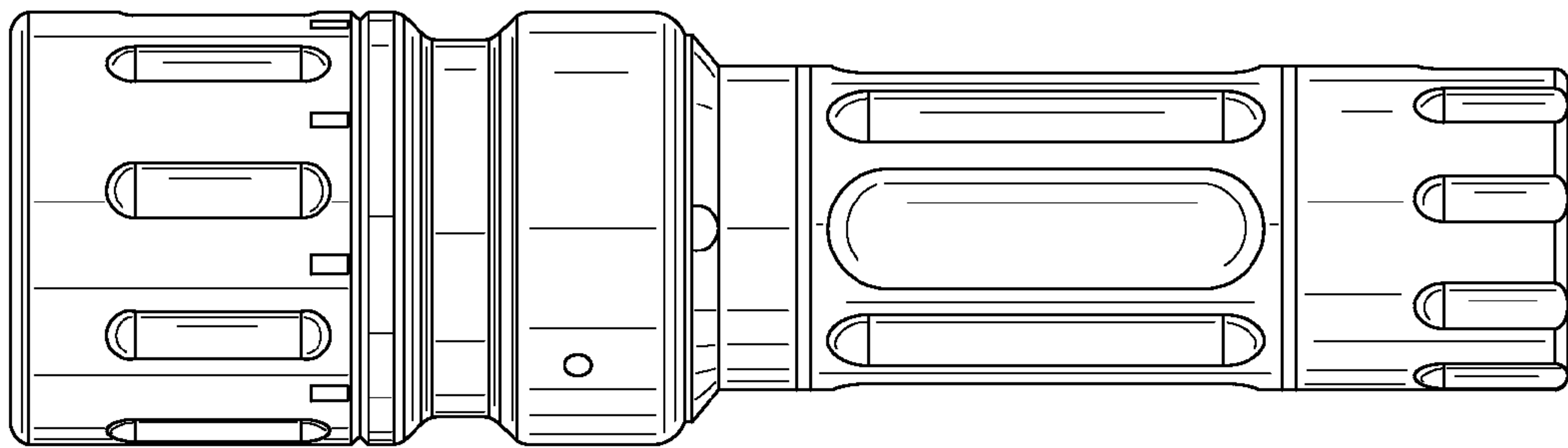


FIG. 6

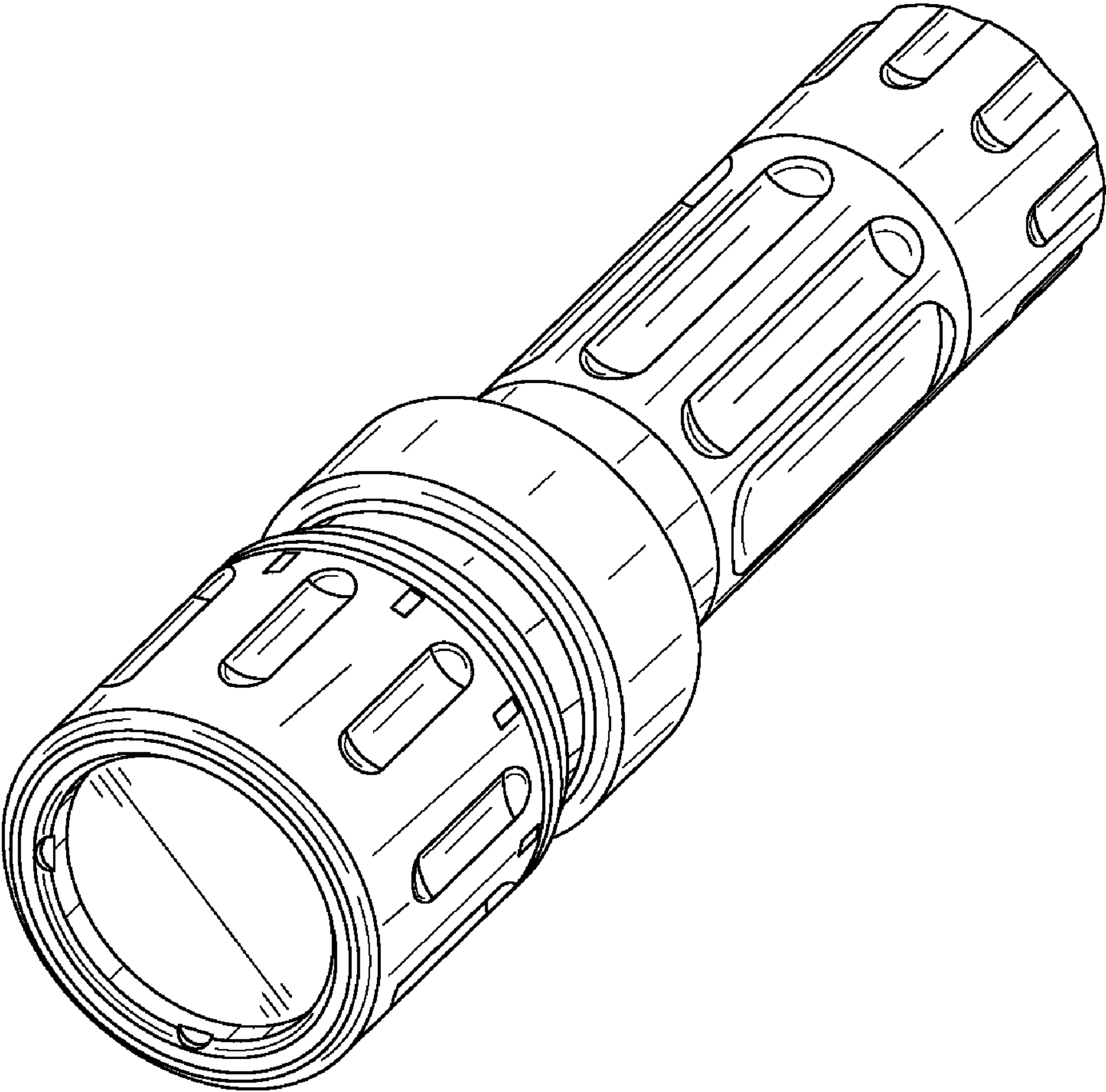


FIG. 7

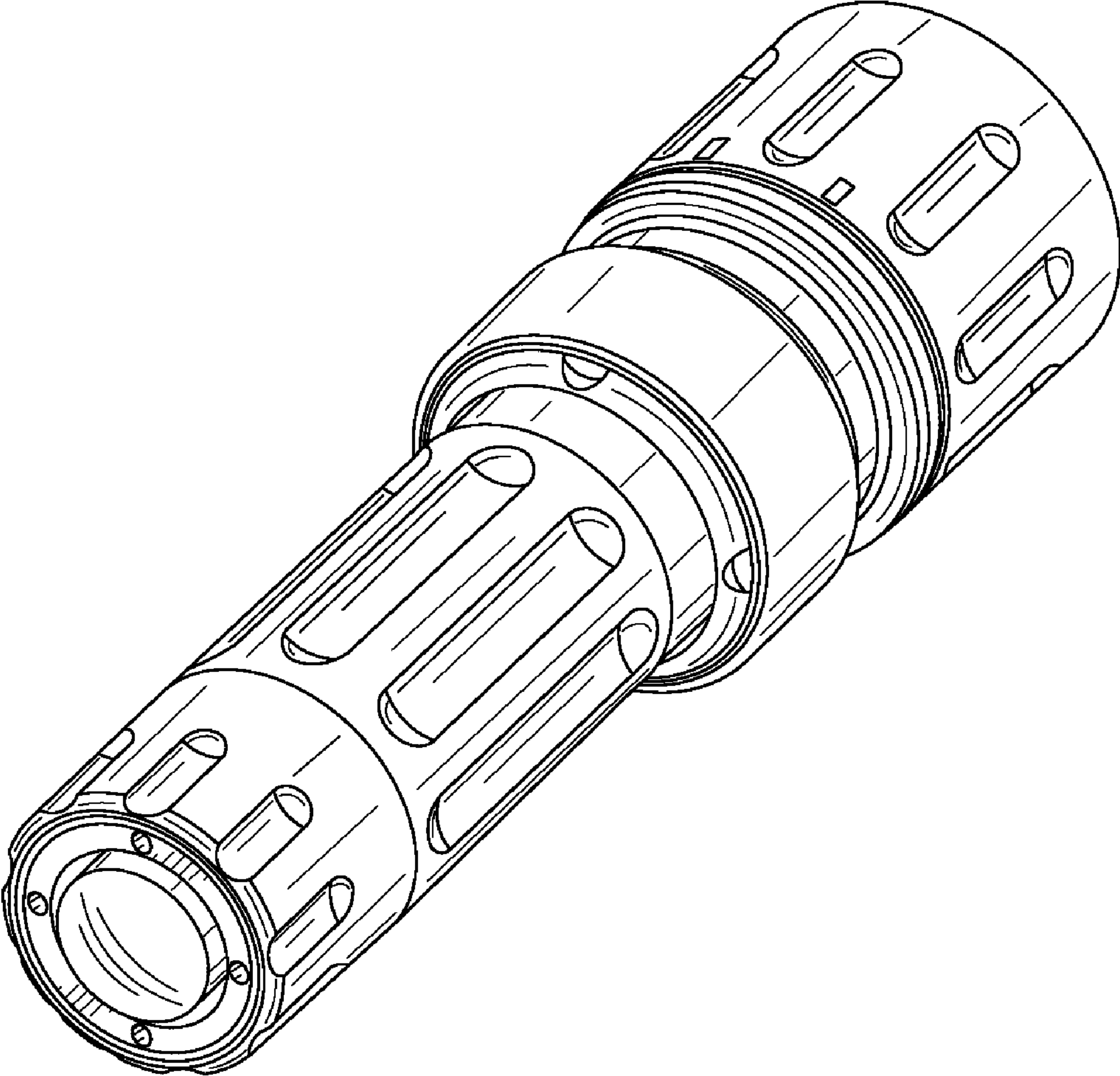


FIG. 8

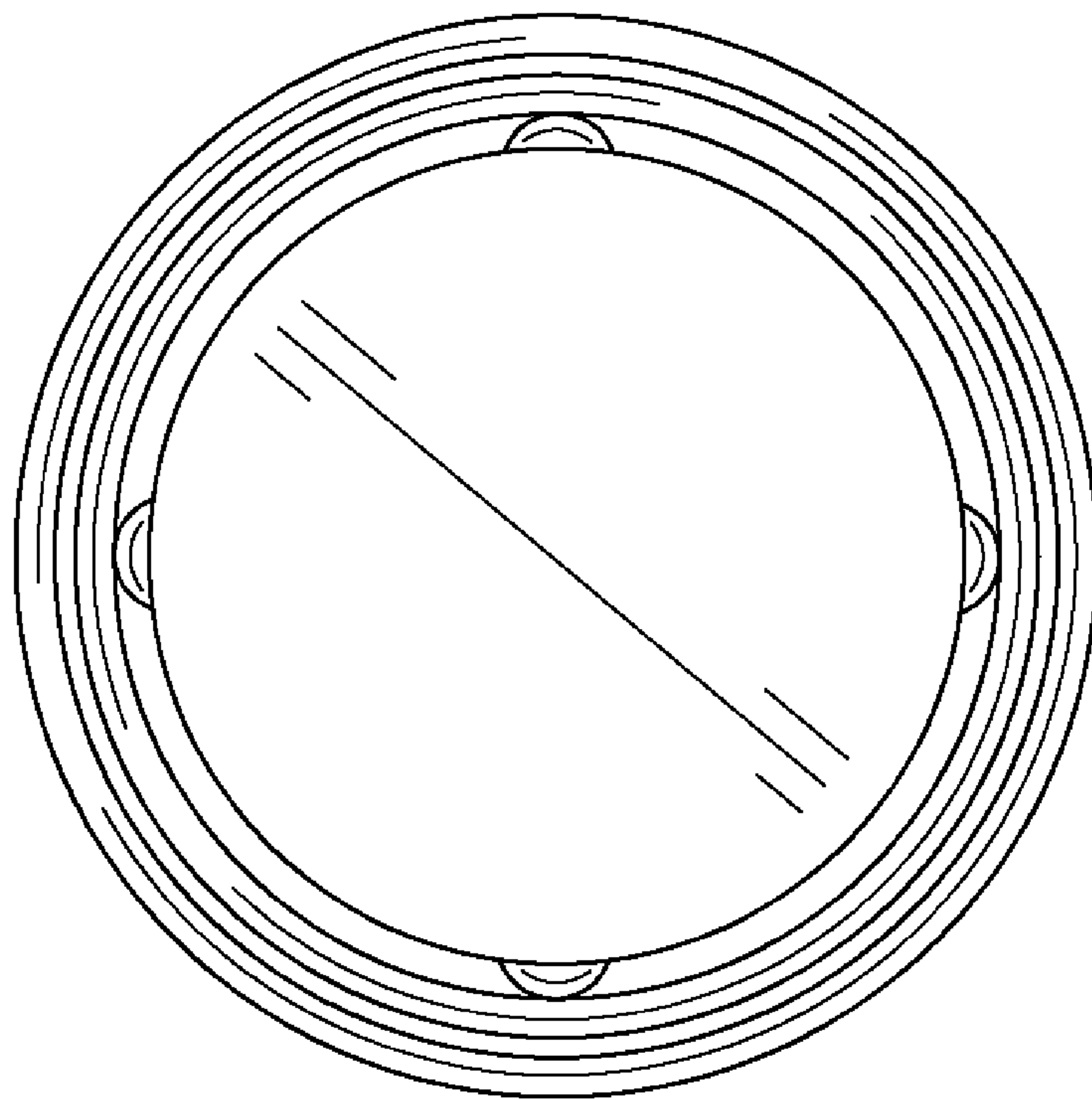


FIG. 9

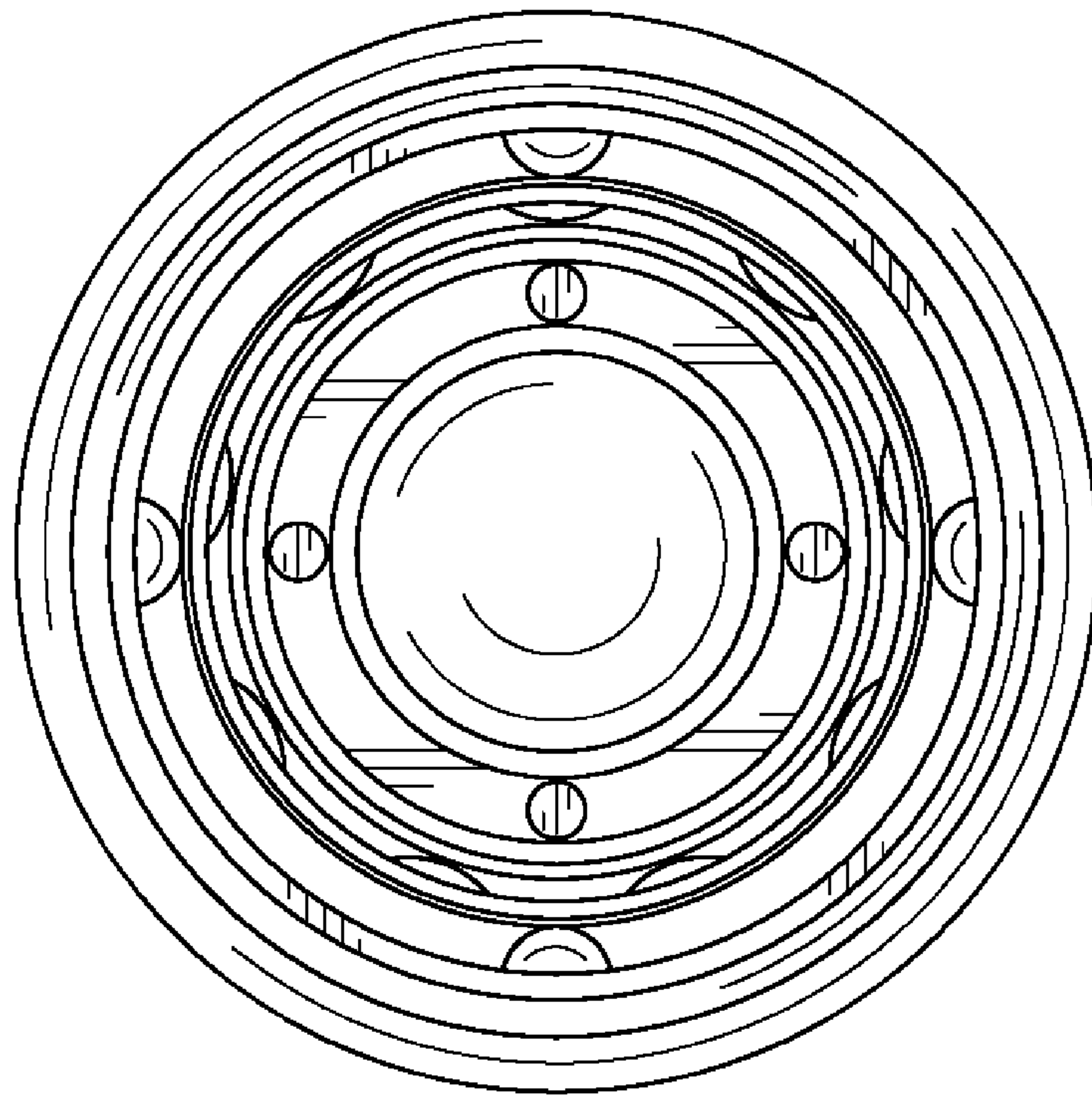


FIG. 10

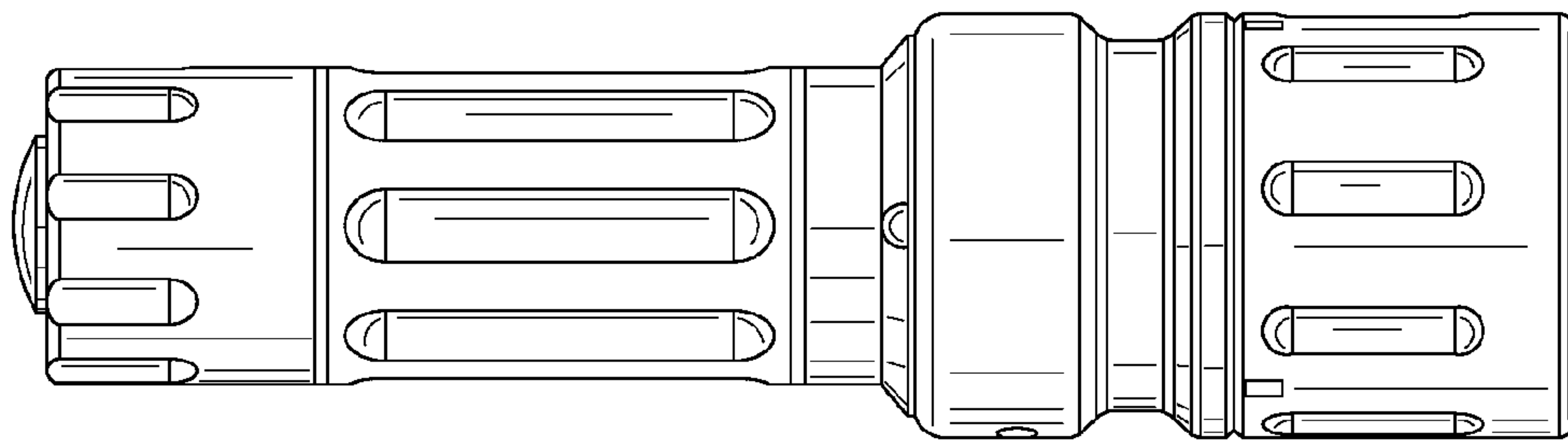


FIG. 11

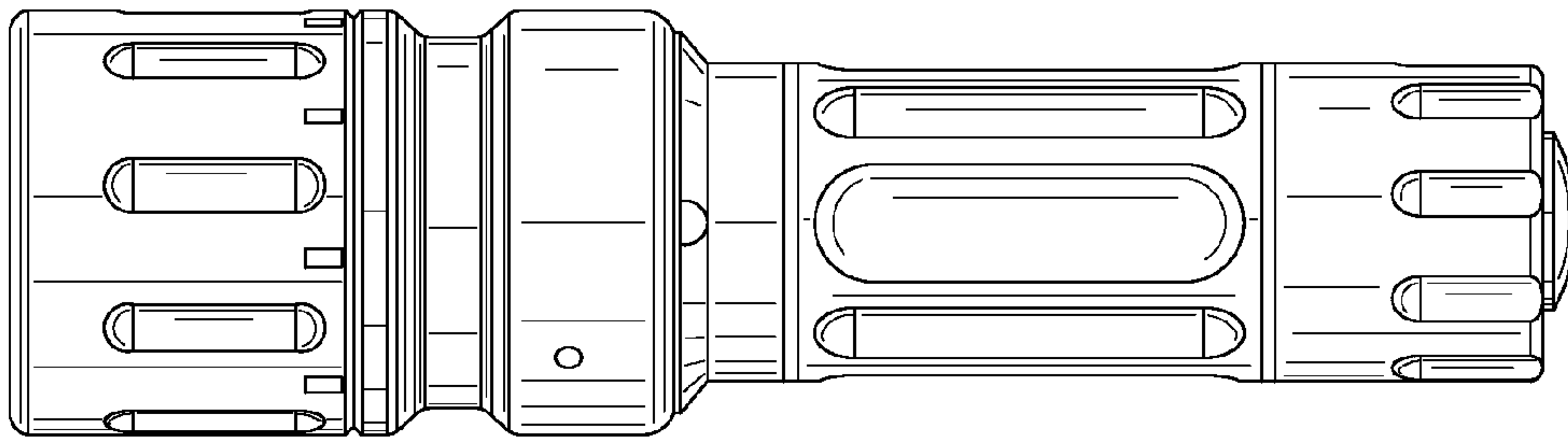


FIG. 12