



US00D577842S

(12) **United States Design Patent**  
**Kumthampinij et al.**

(10) **Patent No.:** **US D577,842 S**

(45) **Date of Patent:** **\*\* Sep. 30, 2008**

(54) **PERSONAL HEADLAMP**

D562,475 S \* 2/2008 Hojer ..... D26/28  
D566,310 S \* 4/2008 Alessio ..... D26/39

(75) Inventors: **Yos Kumthampinij**, Edgewater, NJ (US); **Ken Zorovich**, Hoboken, NJ (US); **John Earle**, Annapolis, MD (US); **Jesse DelGigante**, Verona, NJ (US); **Cleatis A. Eichelberger**, Mount Laurel, NJ (US)

\* cited by examiner

*Primary Examiner*—Marcus A. Jackson  
(74) *Attorney, Agent, or Firm*—Howson & Howson LLP

(73) Assignee: **Princeton Tectonics, Inc.**, Bordentown, NJ (US)

(57) **CLAIM**

The ornamental design for a personal headlamp, as shown and described.

(\*\*) Term: **14 Years**

(21) Appl. No.: **29/303,904**

(22) Filed: **Feb. 20, 2008**

(51) **LOC (8) Cl.** ..... **26-02**

(52) **U.S. Cl.** ..... **D26/39**

(58) **Field of Classification Search** ..... D26/37–50;  
362/157, 158, 171–174, 183–208

See application file for complete search history.

**DESCRIPTION**

FIG. 1 is a perspective view of a personal headlamp, showing our new design;

FIG. 2 is a front elevational view thereof;

FIG. 3 is a top plan view thereof;

FIG. 4 is a bottom plan view thereof;

FIG. 5 is a left side elevational view thereof;

FIG. 6 is a right side elevational view thereof; and,

FIG. 7 is a rear elevational view thereof.

The broken line showing of a strap in FIGS. 3 and 4 is for the purpose of showing environmental structure and forms no part of the claimed design.

(56) **References Cited**

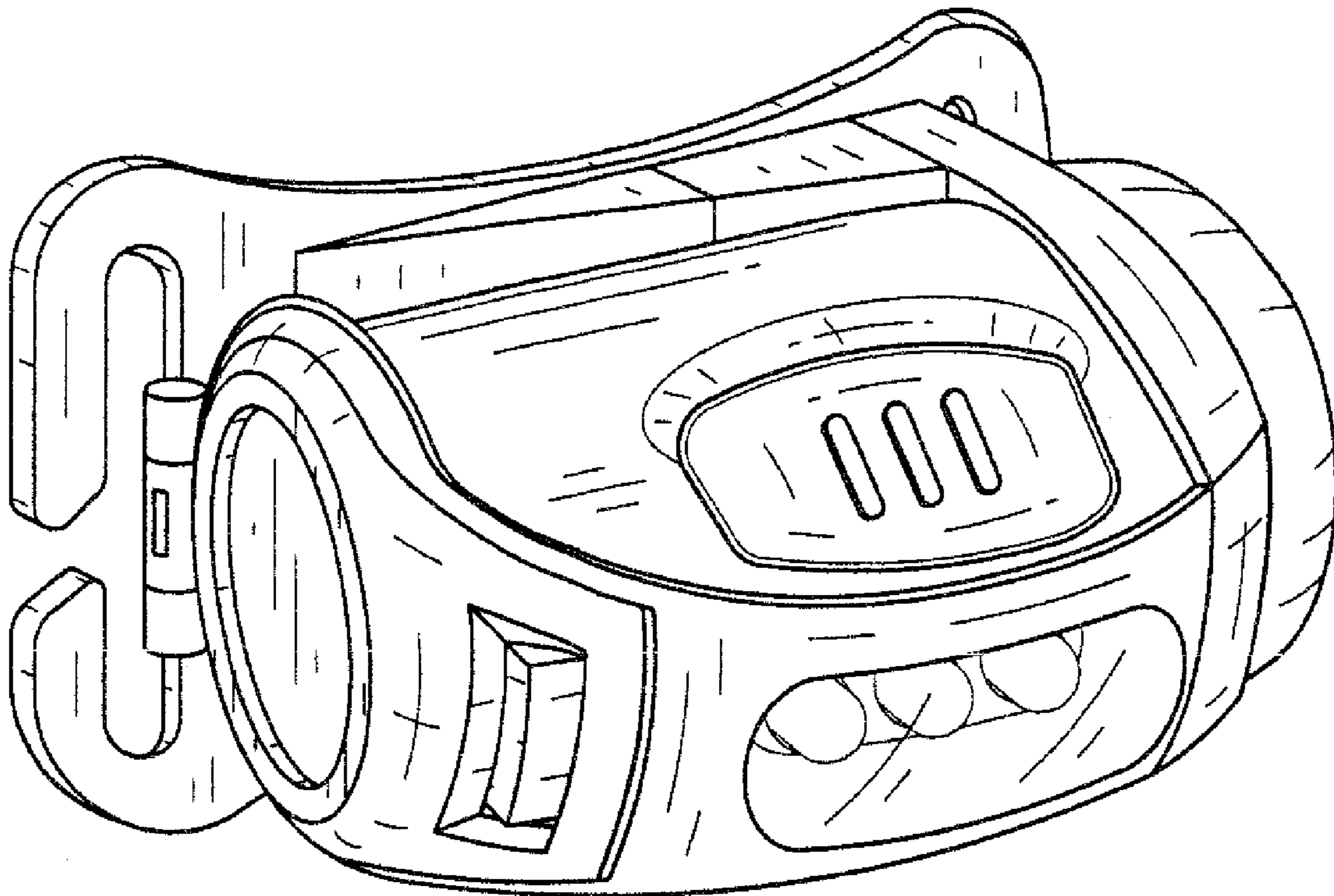
U.S. PATENT DOCUMENTS

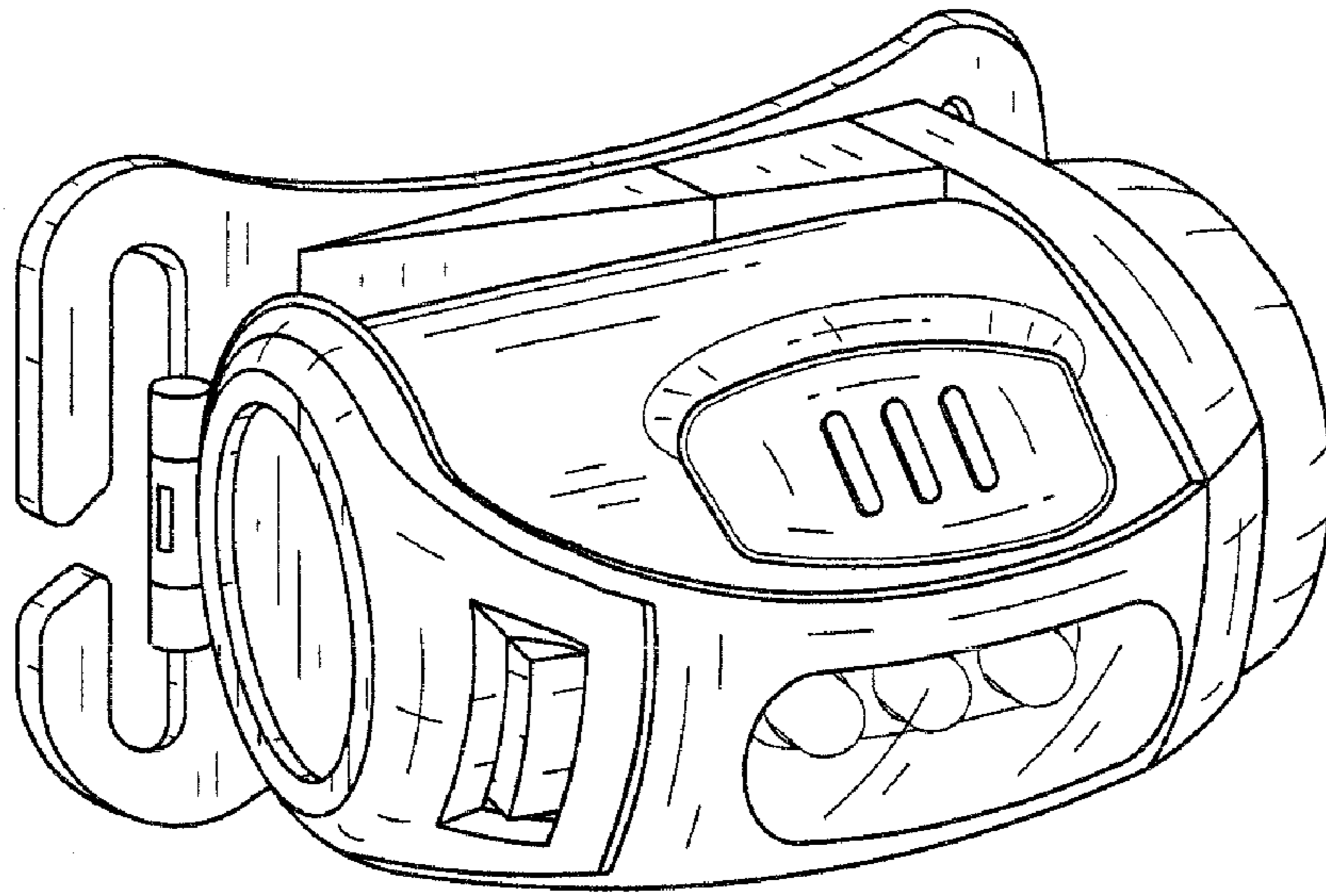
D532,538 S \* 11/2006 Yuen ..... D26/39

D554,782 S \* 11/2007 Shiu ..... D26/39

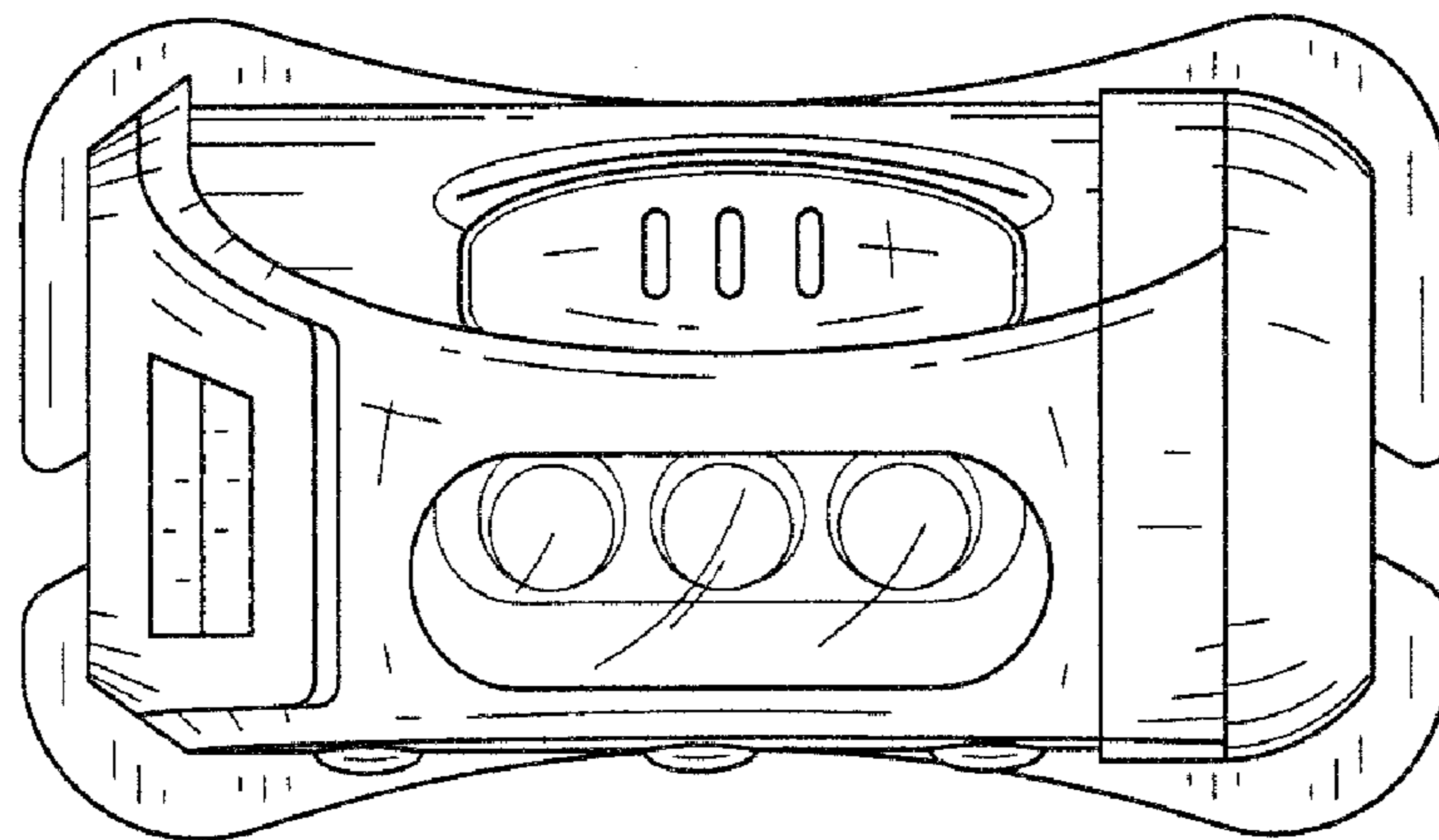
D560,008 S \* 1/2008 Poon ..... D26/39

**1 Claim, 3 Drawing Sheets**

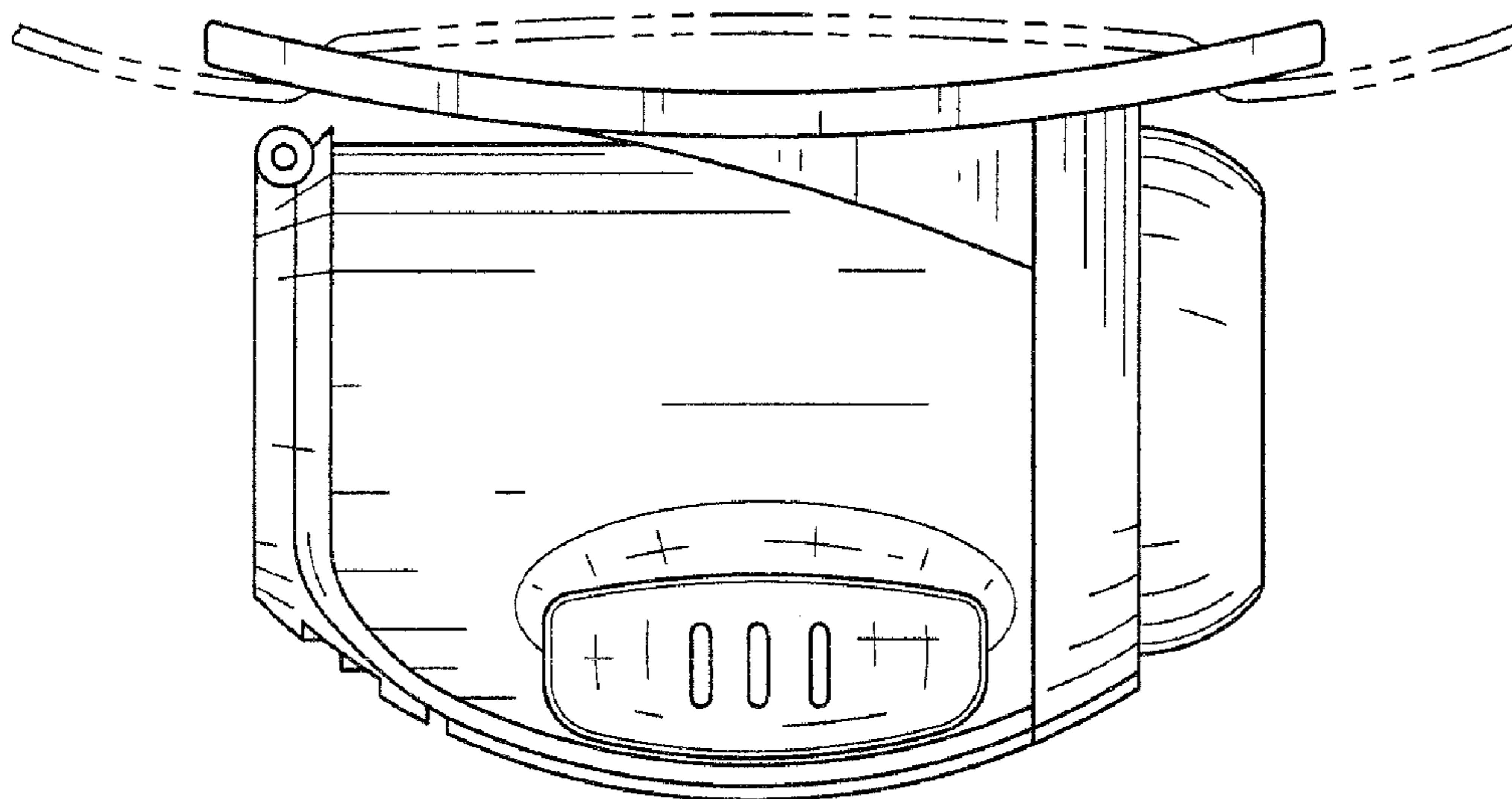




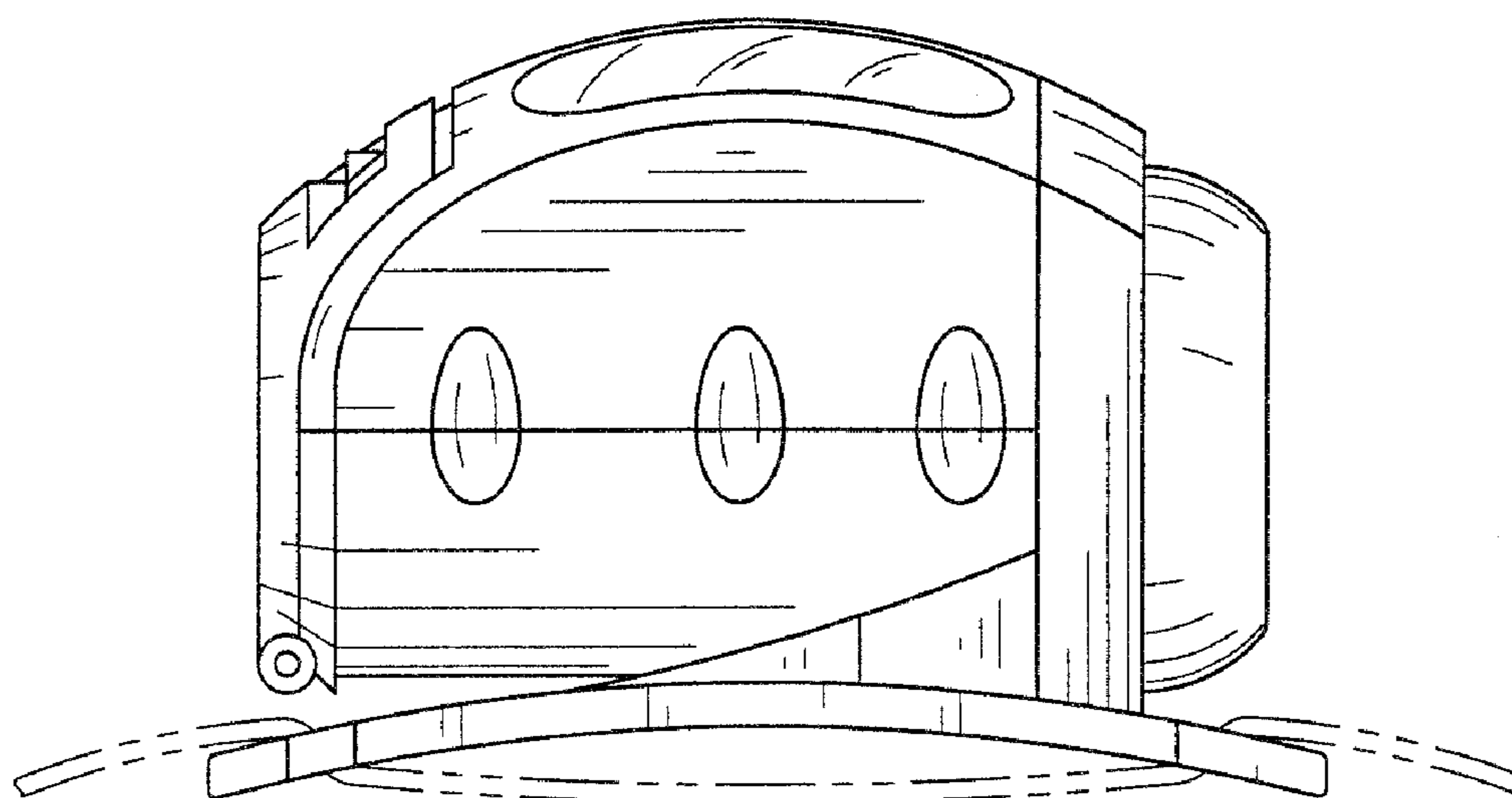
*Fig. 1*



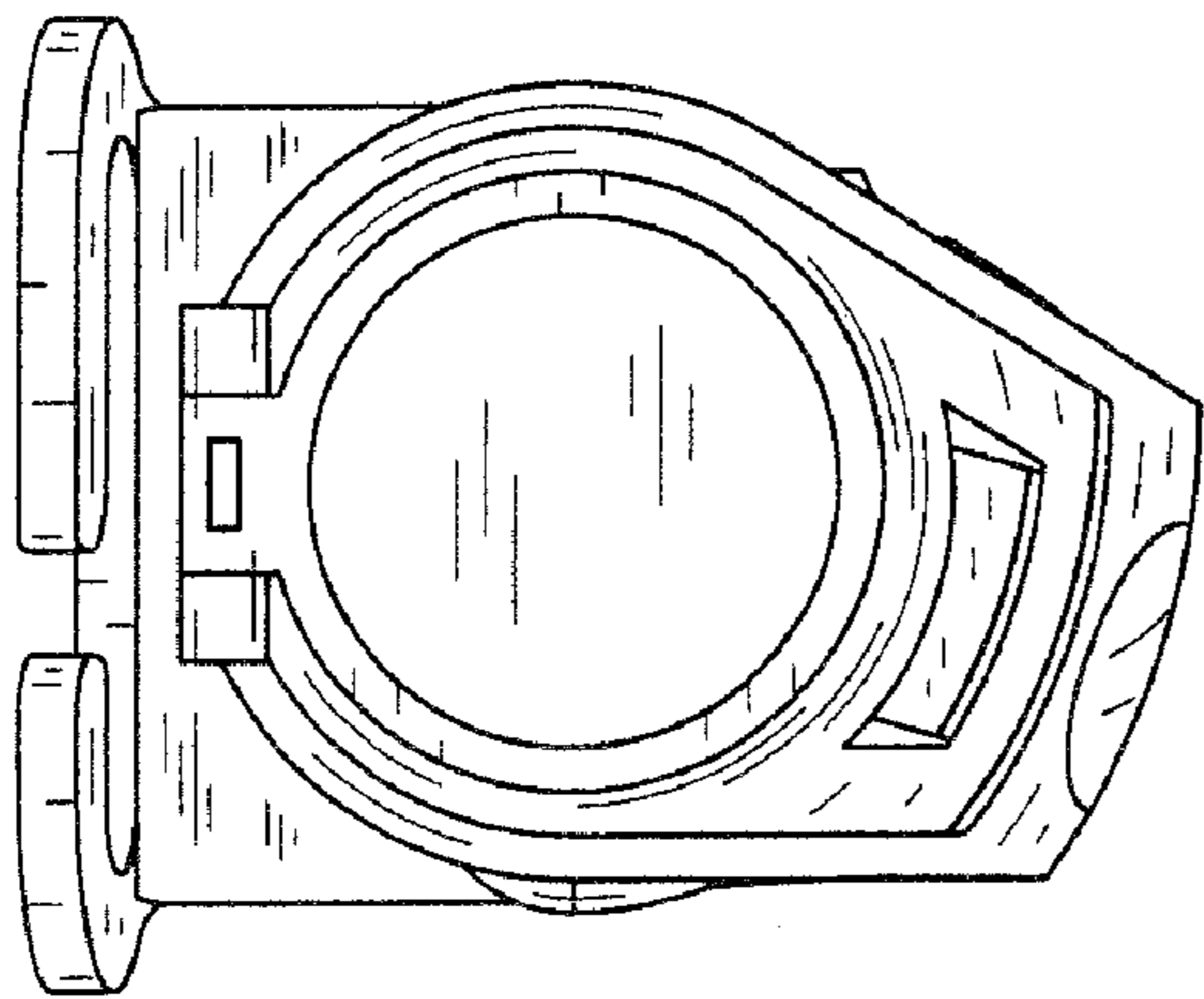
*Fig. 2*



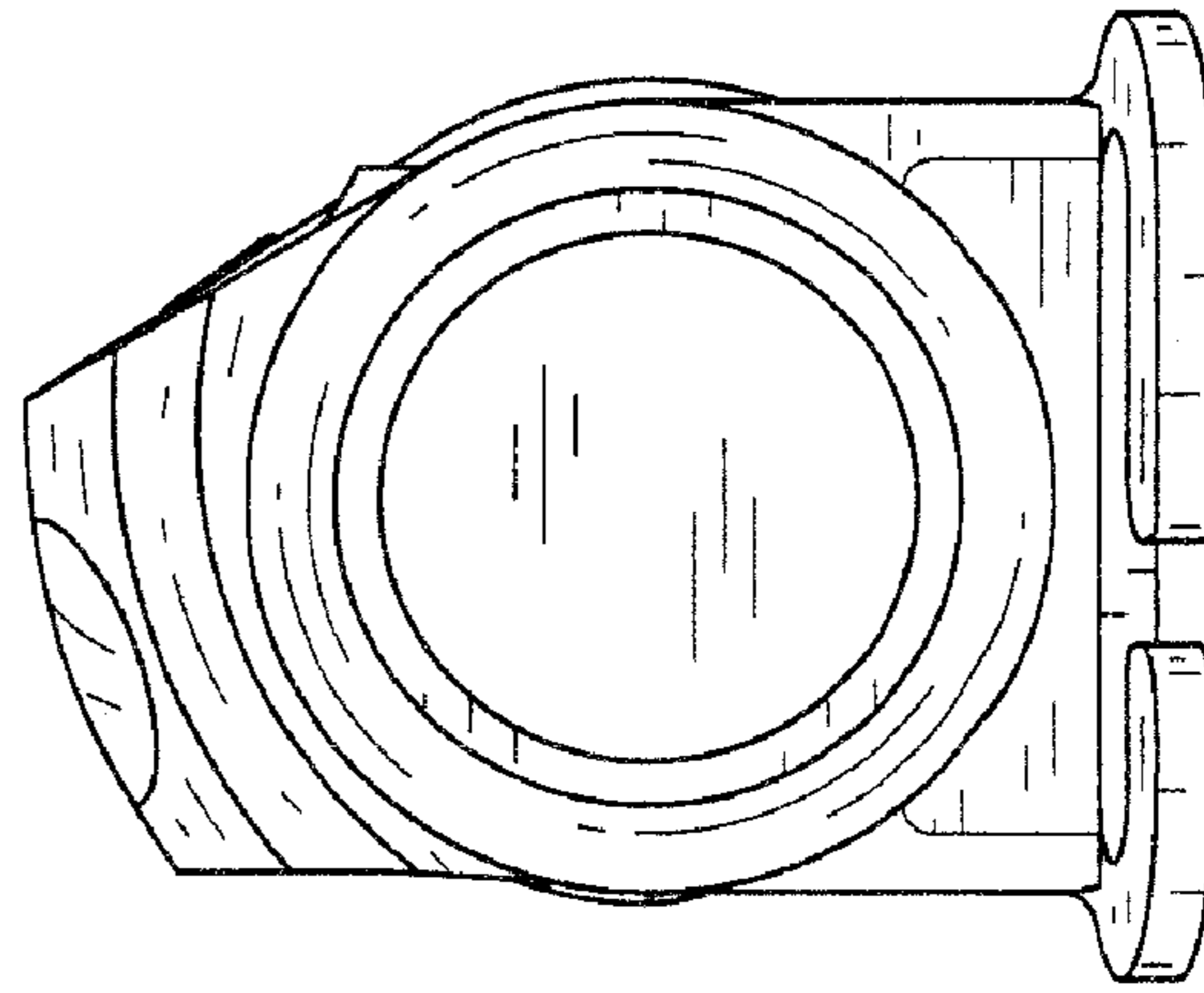
*Fig. 3*



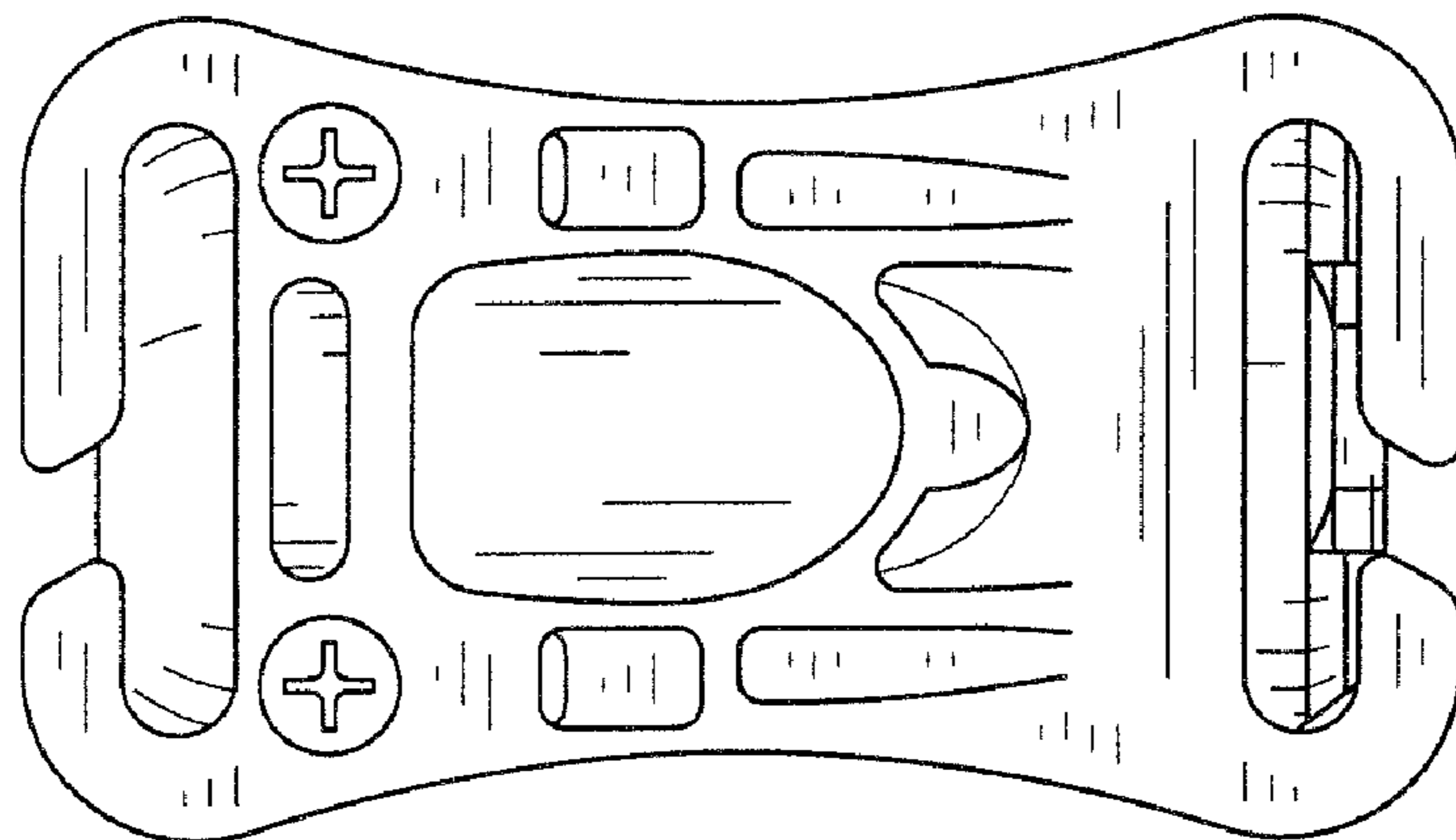
*Fig. 4*



*Fig. 5*



*Fig. 6*



*Fig. 7*