

US00D577840S

(12) **United States Design Patent**  
**Maeda**

(10) **Patent No.:** **US D577,840 S**  
(45) **Date of Patent:** **\*\* Sep. 30, 2008**

(54) **FRONT COMBINATION LAMP FOR AN  
AUTOMOBILE**

(75) Inventor: **Kenichiro Maeda**, Toyota (JP)

(73) Assignee: **Toyota Jidosha Kabushiki Kaisha** (JP)

(\*\*) Term: **14 Years**

(21) Appl. No.: **29/295,132**

(22) Filed: **Sep. 21, 2007**

(51) **LOC (8) Cl.** ..... **26-06**

(52) **U.S. Cl.** ..... **D26/28**

(58) **Field of Classification Search** ..... D26/28-36;  
362/459-468, 475-478, 485-487  
See application file for complete search history.

(56) **References Cited**

U.S. PATENT DOCUMENTS

D549,855 S *	8/2007	Moisy et al. ....	D26/28
D552,768 S *	10/2007	Leclercq .....	D26/28
D552,770 S *	10/2007	Davidson .....	D26/28
D558,368 S *	12/2007	Koyama .....	D26/28

\* cited by examiner

*Primary Examiner*—Marcus A. Jackson

(74) *Attorney, Agent, or Firm*—SAIDMAN DesignLaw Group

(57) **CLAIM**

The ornamental design for a combination lamp for an automobile, as shown and described.

**DESCRIPTION**

FIG. 1 is a perspective view of a front combination lamp for an automobile showing my new design;

FIG. 2 is a front view thereof;

FIG. 3 is a rear view thereof;

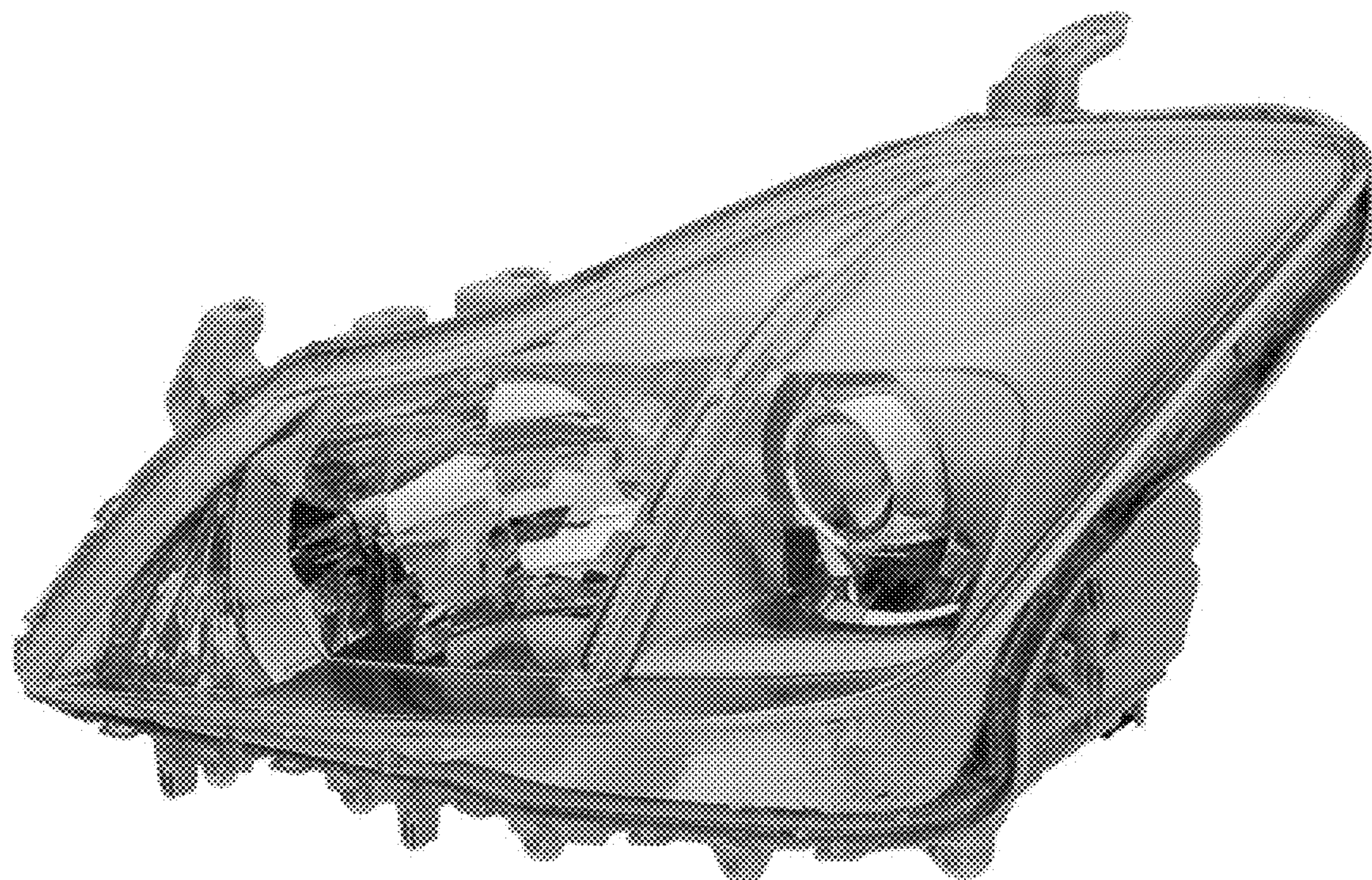
FIG. 4 is a top view thereof;

FIG. 5 is a bottom view thereof;

FIG. 6 is a left-side view thereof; and,

FIG. 7 is a right-side view thereof.

**1 Claim, 3 Drawing Sheets**



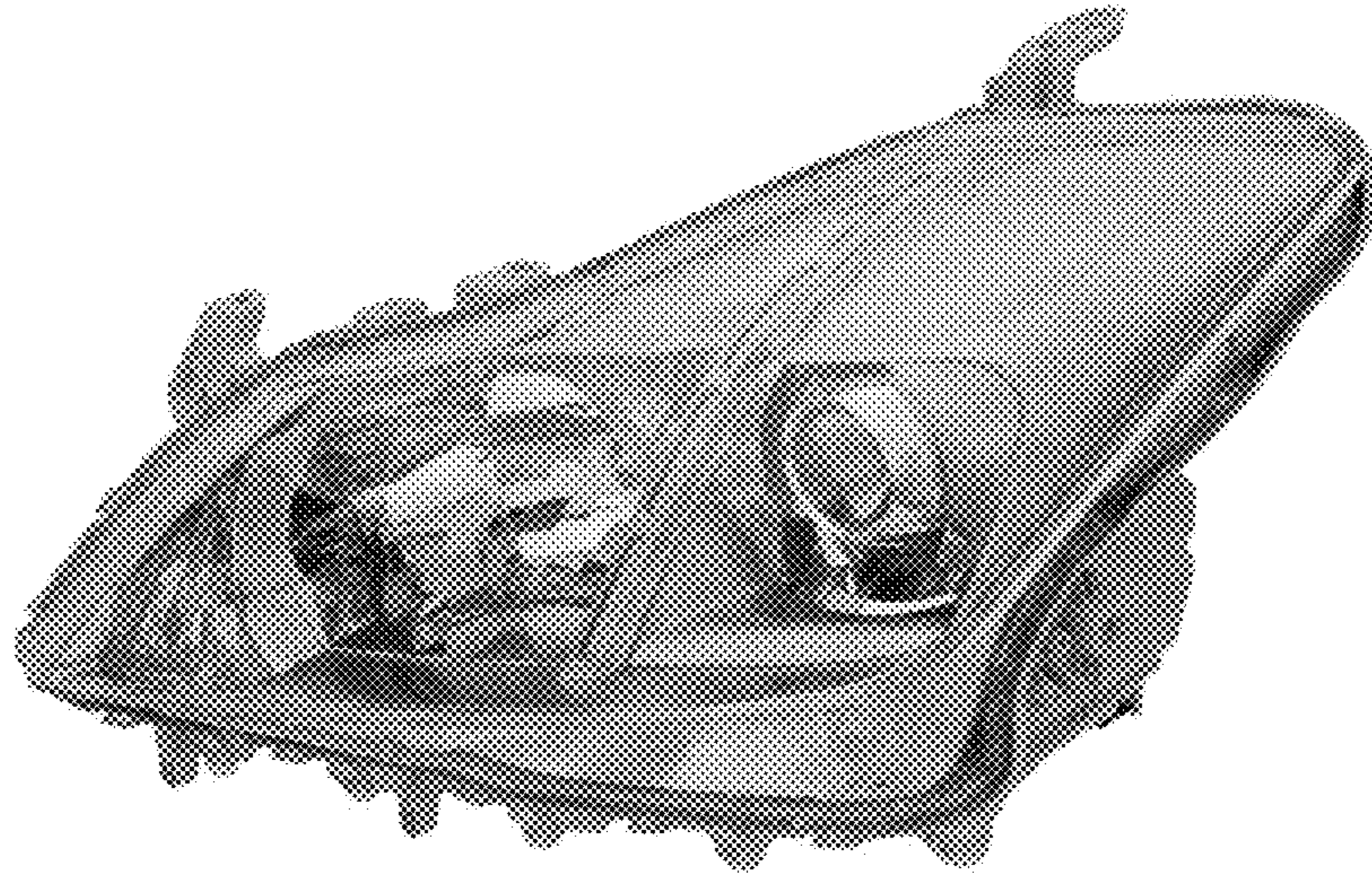


FIG. 1

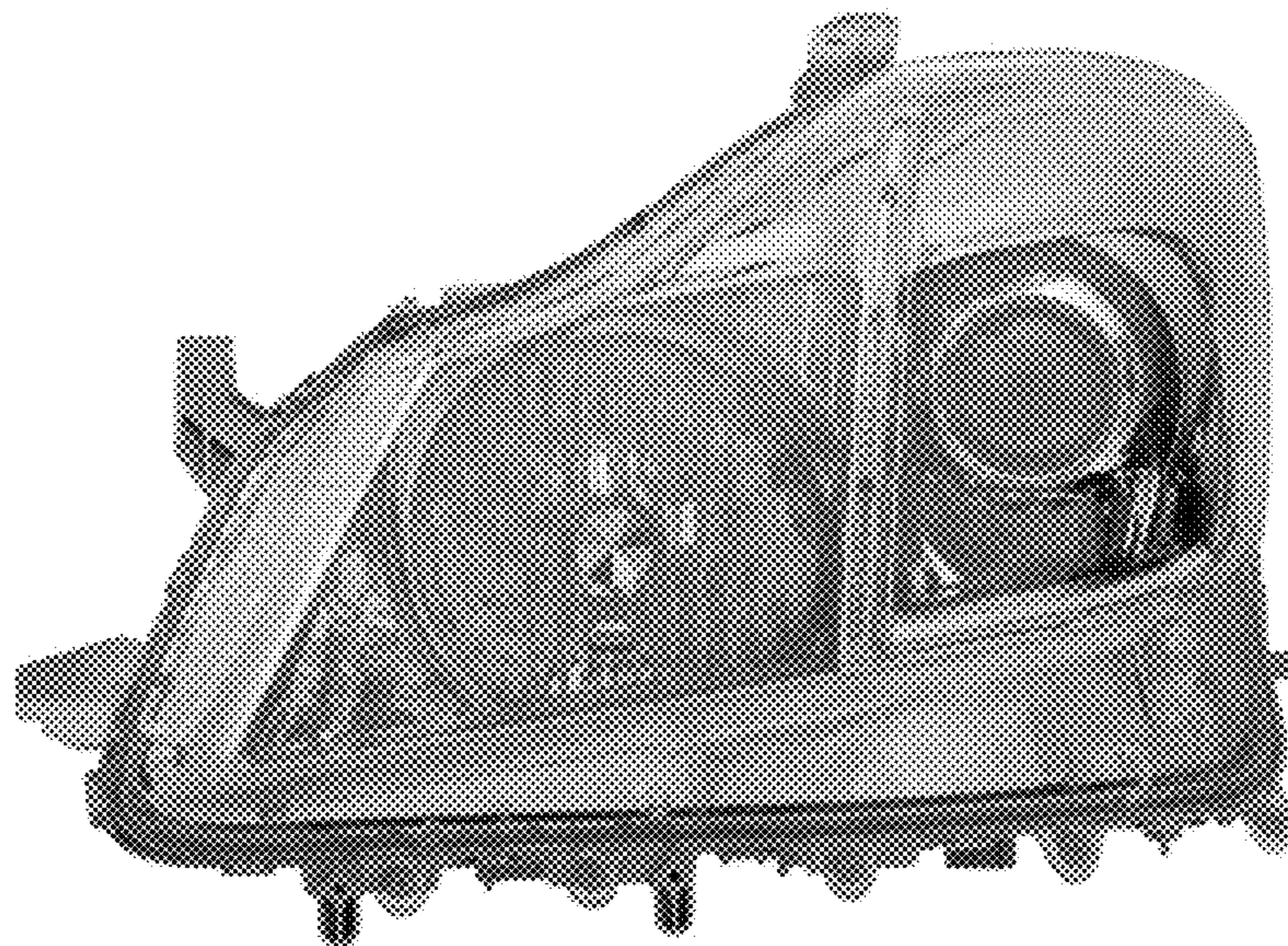


FIG. 2

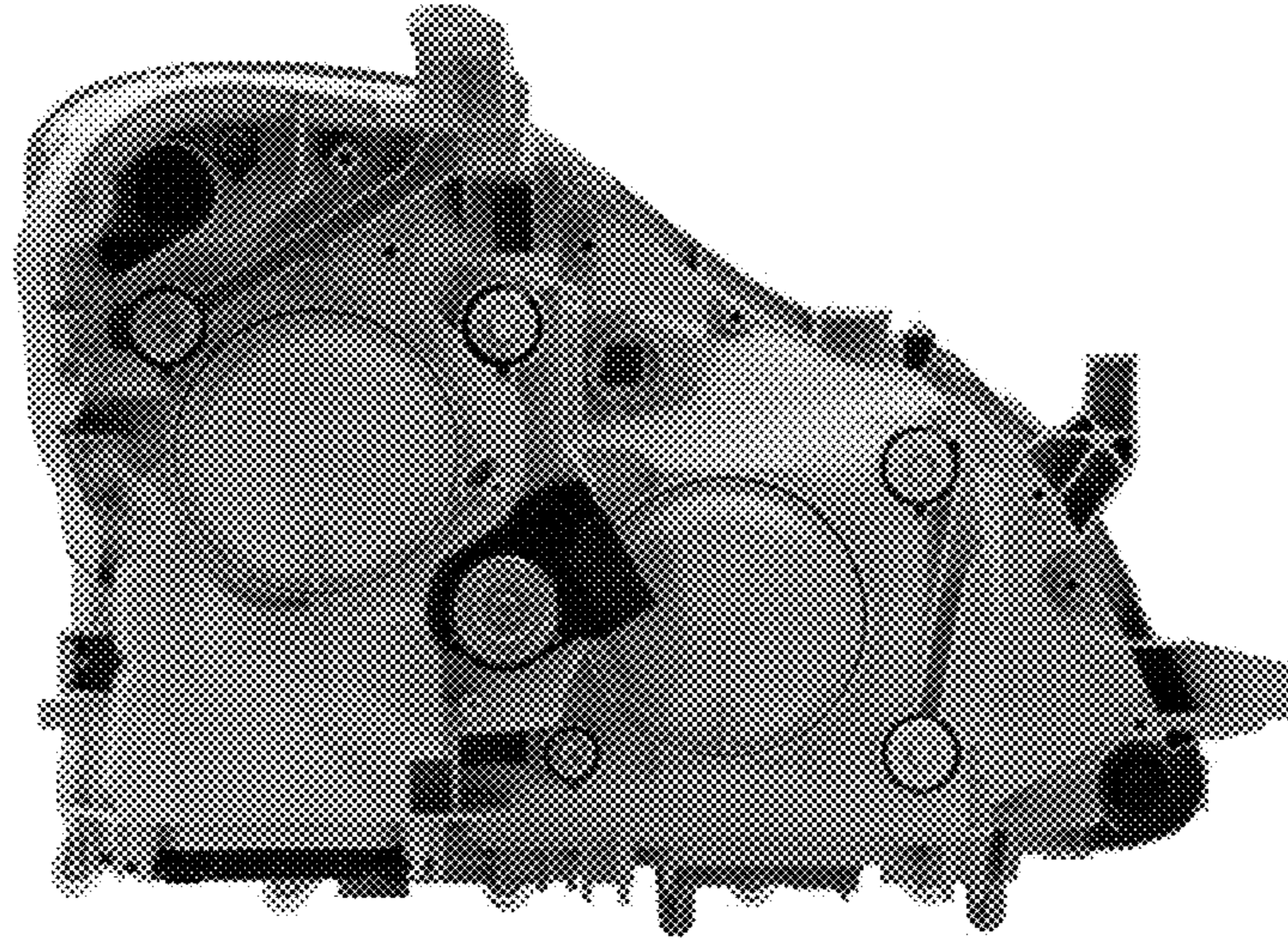


FIG. 3

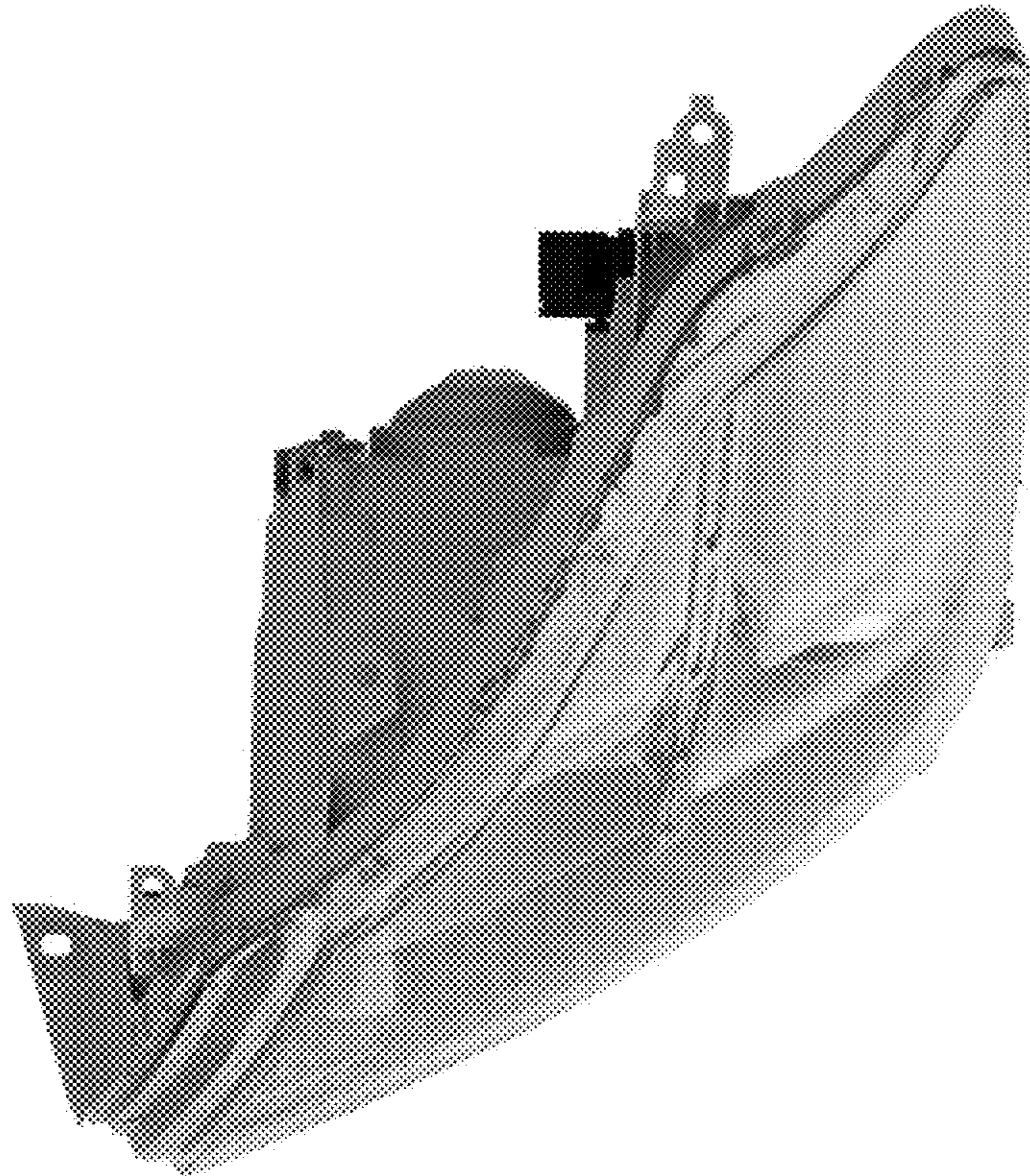


FIG. 4

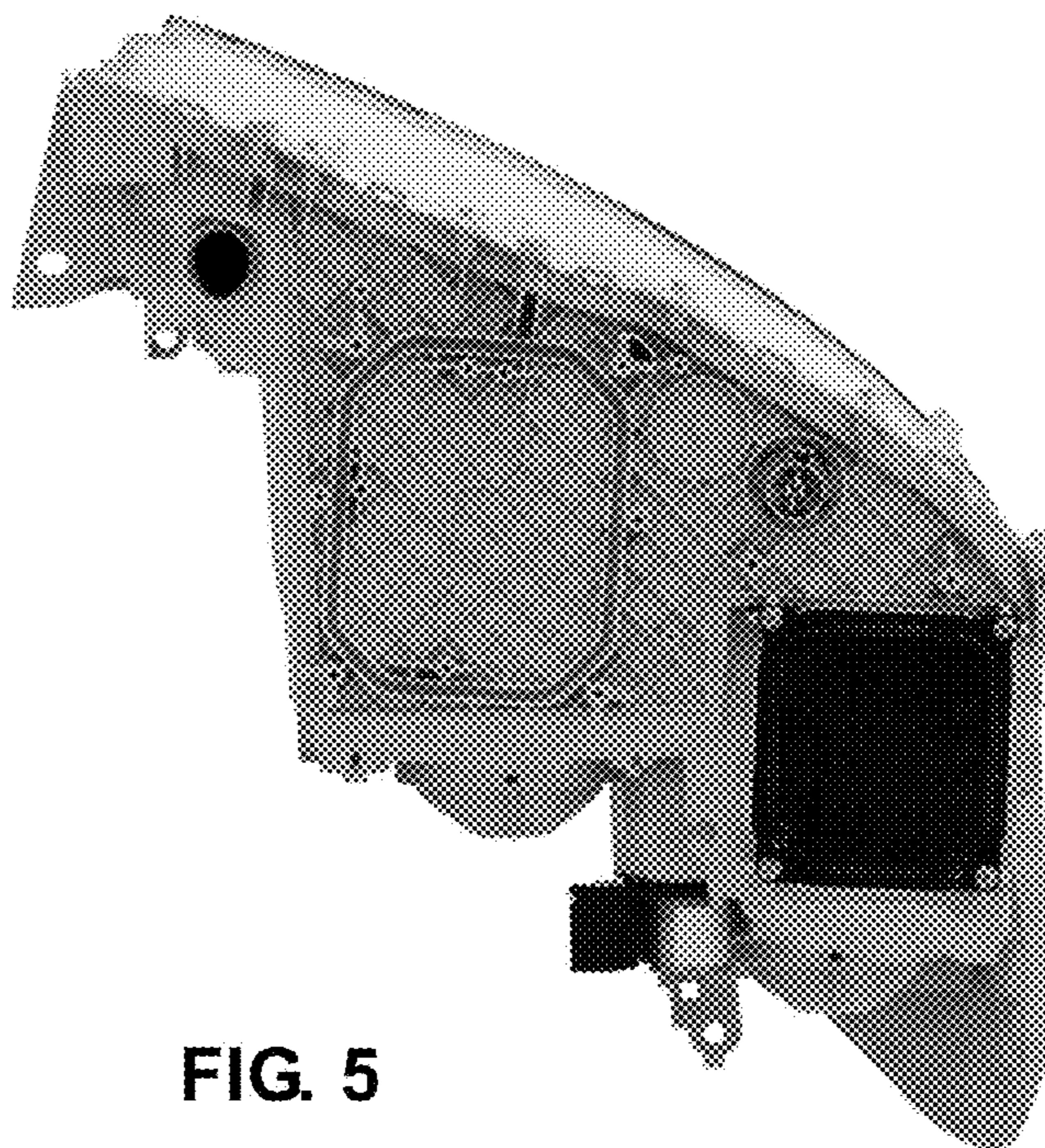


FIG. 5

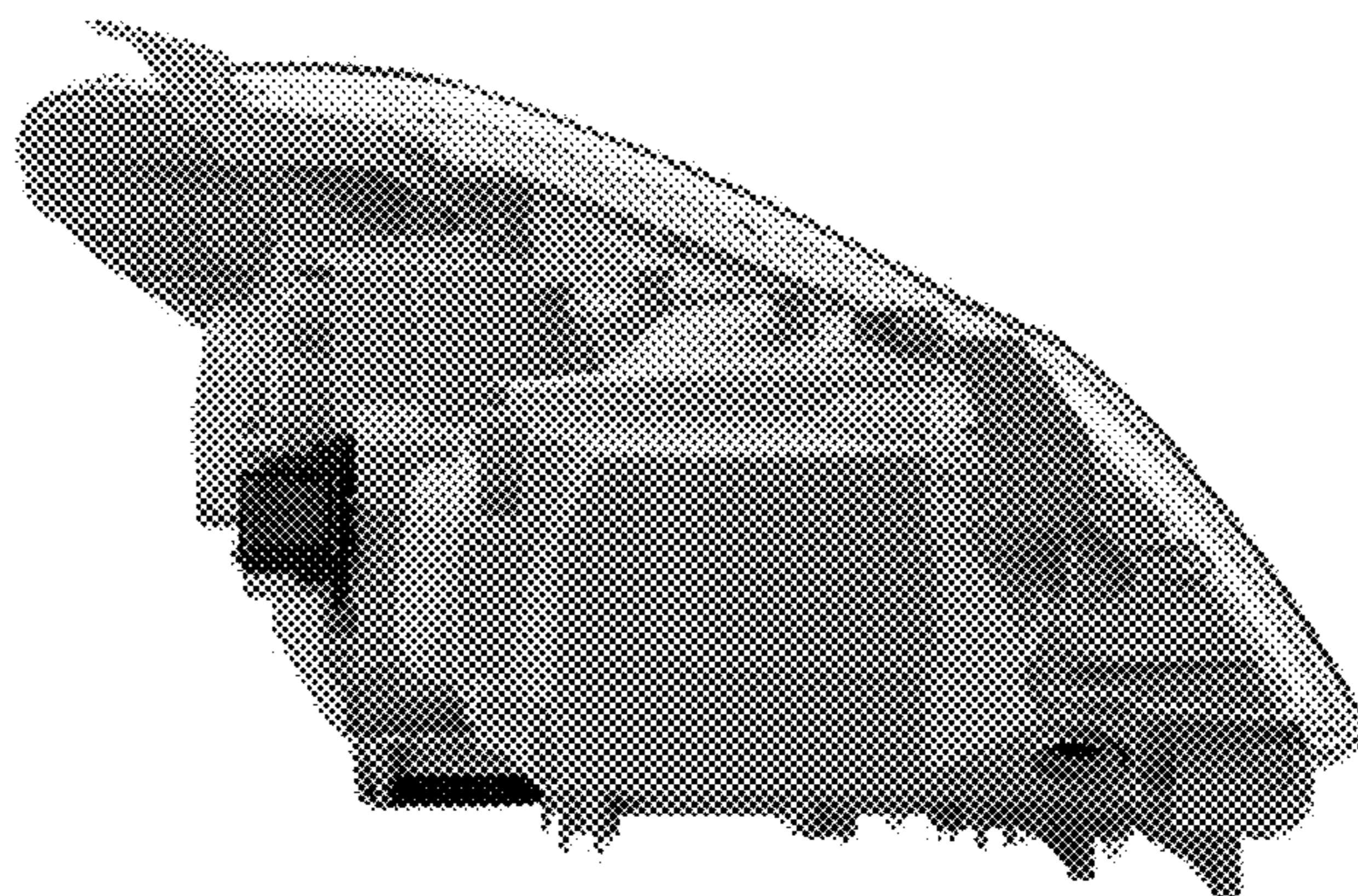


FIG. 6

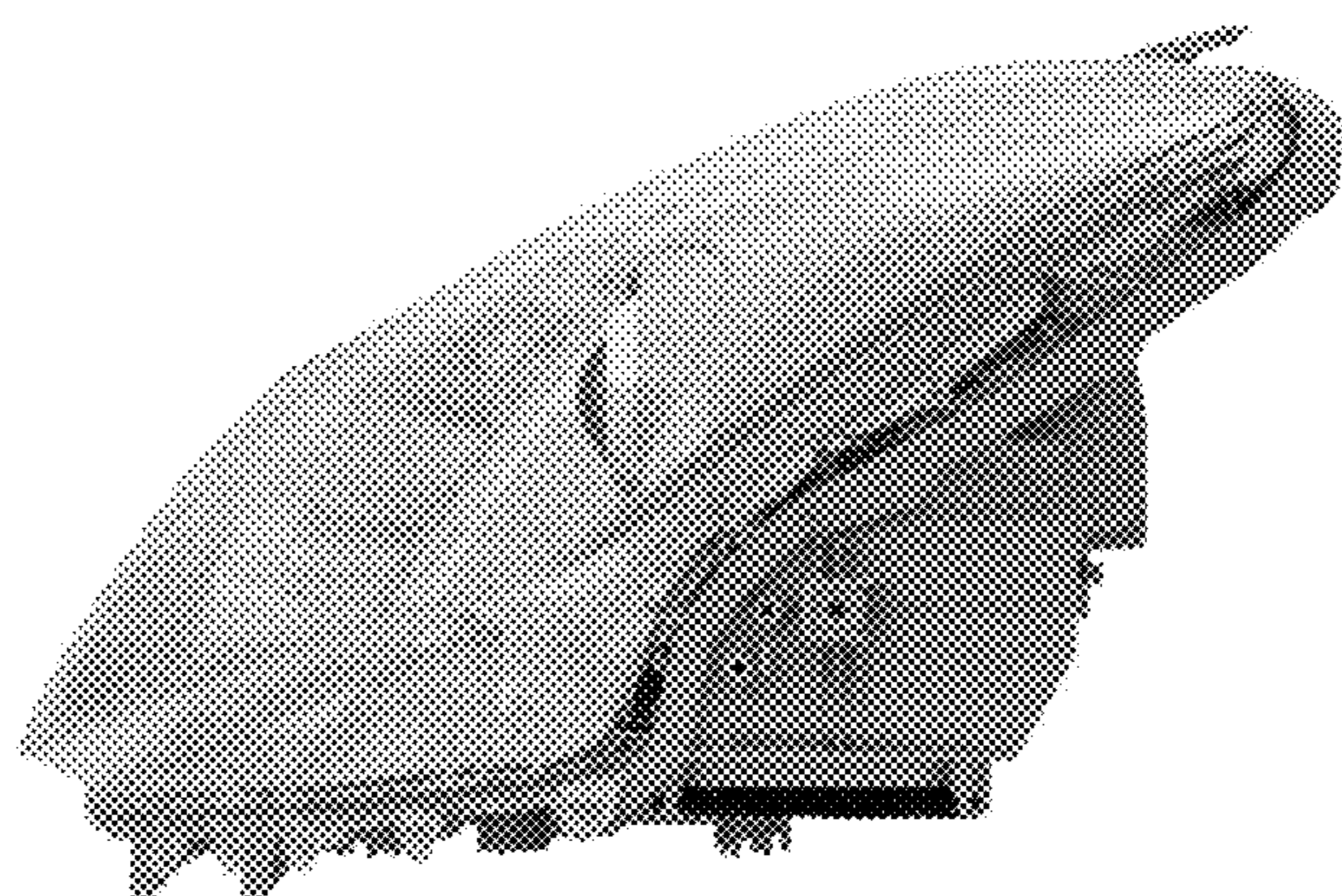


FIG. 7