

US00D577838S

(12) **United States Design Patent**
Nakamura et al.

(10) **Patent No.:** **US D577,838 S**
(45) **Date of Patent:** **** Sep. 30, 2008**

(54) **FRONT COMBINATION LAMP FOR AN
AUTOMOBILE**

(75) Inventors: **Machio Nakamura**, Toyota (JP); **Hideki Hayashi**, Toyota (JP)

(73) Assignee: **Toyota Jidosha Kabushiki Kaisha** (JP)

(**) Term: **14 Years**

(21) Appl. No.: **29/281,137**

(22) Filed: **Jun. 15, 2007**

(51) **LOC (8) Cl.** **26-06**

(52) **U.S. Cl.** **D26/28**

(58) **Field of Classification Search** D26/28-36;
362/459-468, 475-478, 485-487

See application file for complete search history.

(56) **References Cited**

U.S. PATENT DOCUMENTS

D535,764 S *	1/2007	Yamaguchi	D26/28
D542,442 S *	5/2007	Matsunami	D26/28
D544,614 S *	6/2007	Markefka	D26/28
D552,770 S *	10/2007	Davidson	D26/28

OTHER PUBLICATIONS

VW,TOUAREG, <http://volkswagen.co.jp>, Sep. 20, 2006.

Toyota, Camry, Brochure of Camry, Jan. 2006, Toyota Jidosha Kabushiki Kaisha.

* cited by examiner

Primary Examiner—Marcus A. Jackson

(74) *Attorney, Agent, or Firm*—SAIDMAN DesignLaw Group

(57) **CLAIM**

The ornamental design for a front combination lamp for an automobile, as shown and described.

DESCRIPTION

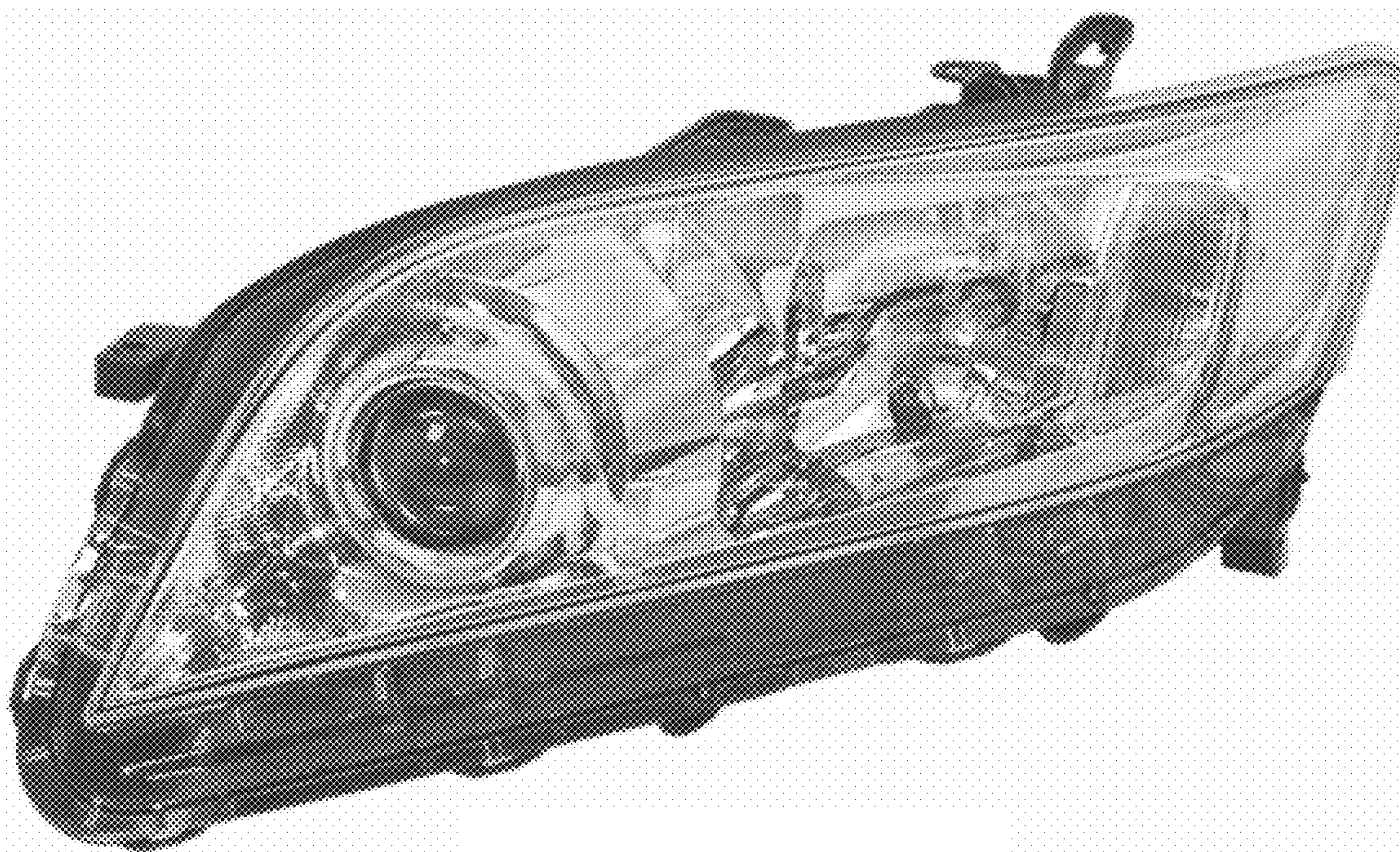
FIG. 1 is a perspective view of a front combination lamp for an automobile showing our new design;

FIG. 2 is a front view thereof;

FIG. 3 is a top view thereof; and,

FIG. 4 is a right-side view thereof.

1 Claim, 2 Drawing Sheets



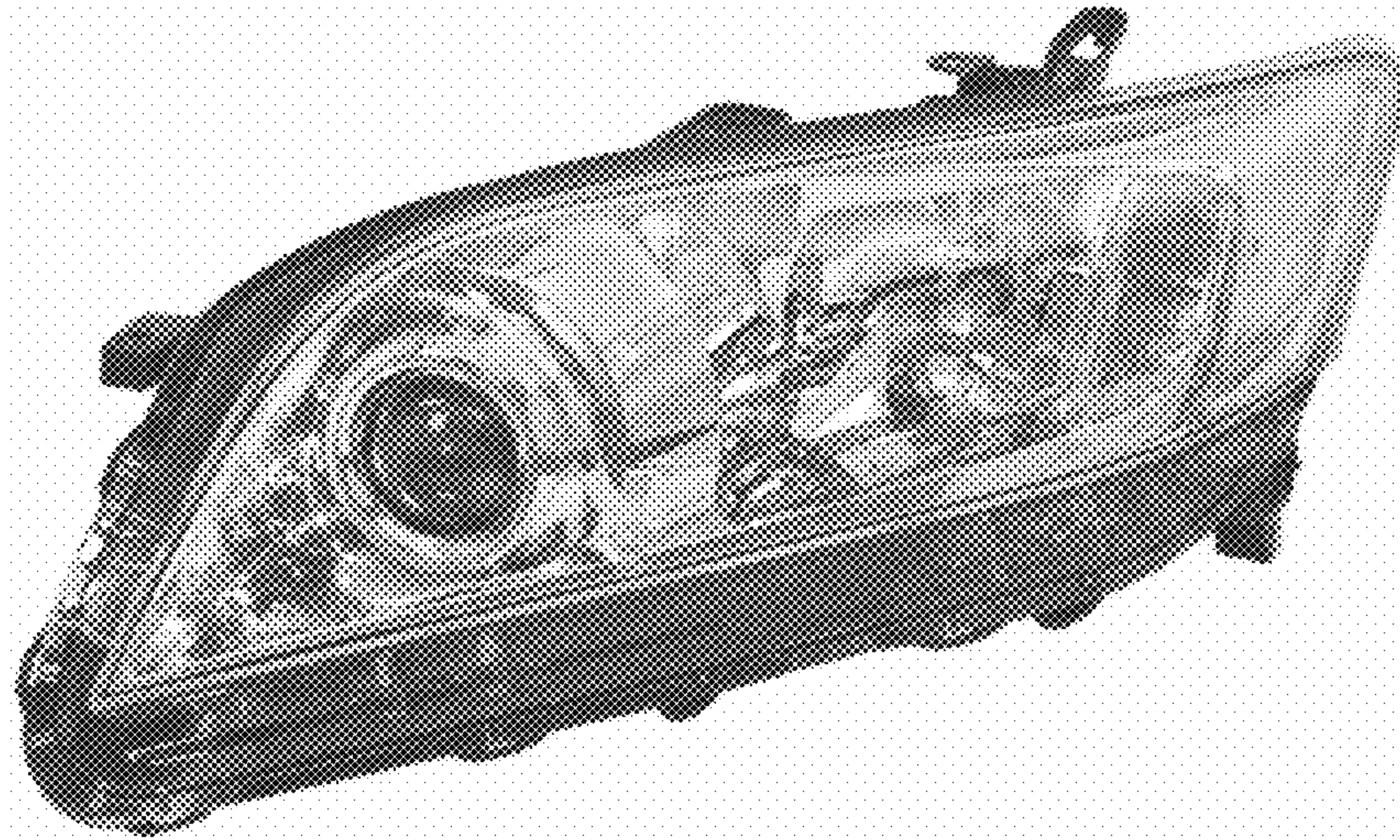


FIG. 1

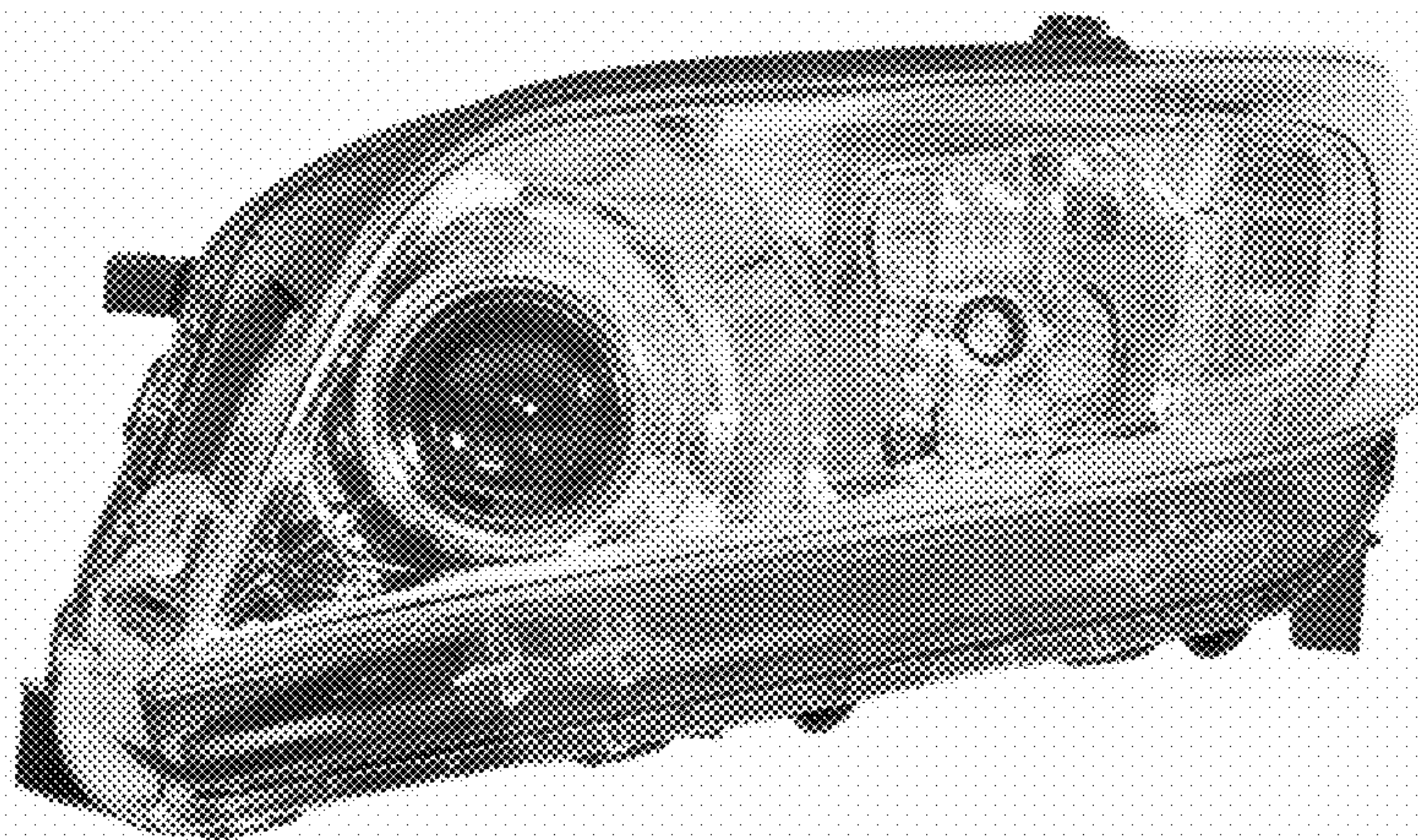


FIG. 2

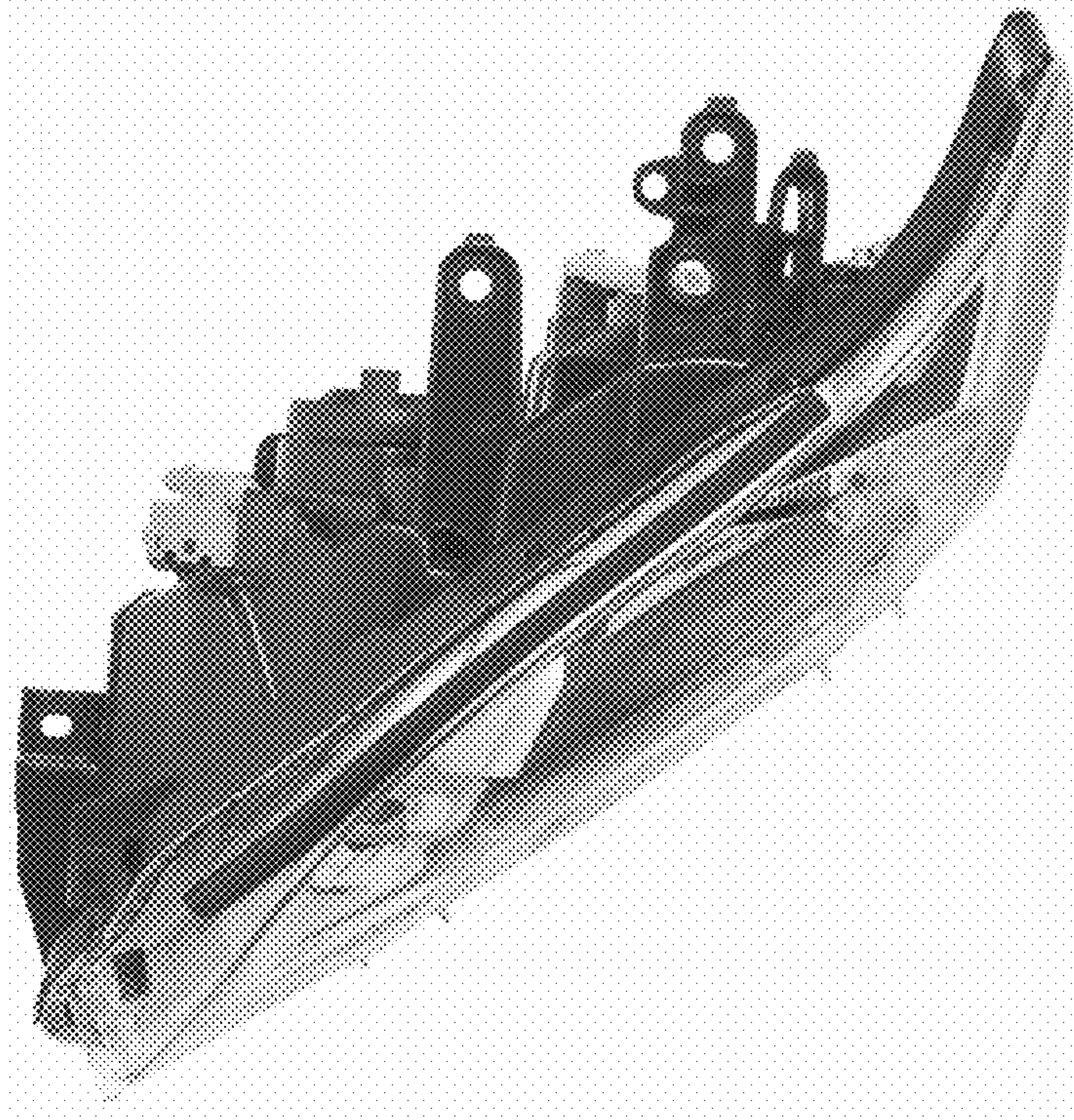


FIG. 3

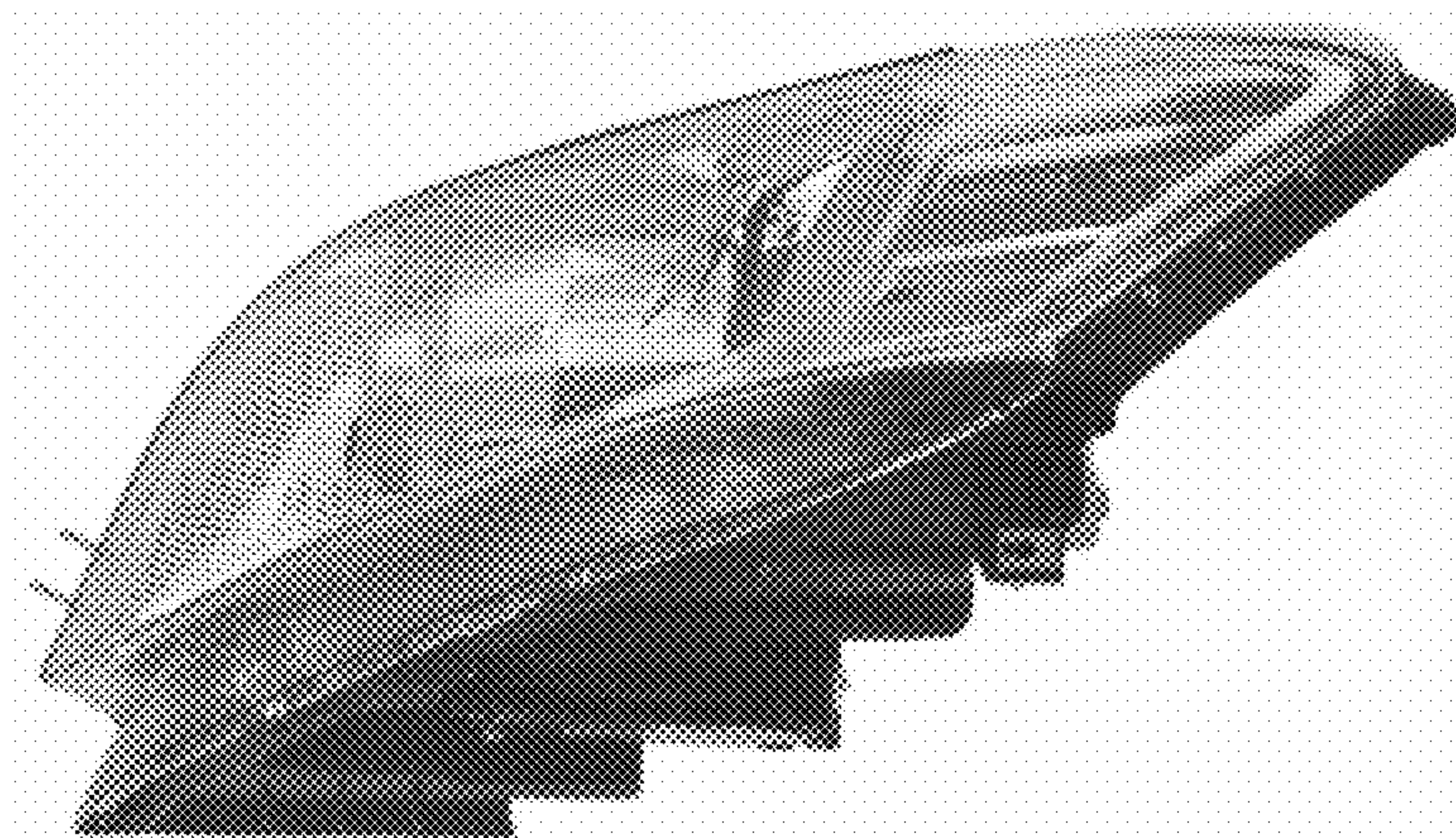


FIG. 4