



US00D577836S

(12) **United States Design Patent**
Engebrigtsen

(10) **Patent No.:** **US D577,836 S**
(45) **Date of Patent:** **** Sep. 30, 2008**

(54) **LAMP DEVICE**

(76) Inventor: **Jo Engebrigtsen**, Ola Valdris vei 8,
Bekkestua (NO) NO-1357

(**) Term: **14 Years**

(21) Appl. No.: **29/276,166**

(22) Filed: **Jan. 18, 2007**

(51) **LOC (8) Cl.** **26-04**

(52) **U.S. Cl.** **D26/24; D26/28; D26/37**

(58) **Field of Classification Search** D26/1,
D26/27, 26, 28, 30-31, 36, 39; 362/459,
362/487, 493, 505-507, 540-541, 545, 555,
362/800, 103, 105-107

See application file for complete search history.

(56) **References Cited**

U.S. PATENT DOCUMENTS

D222,500 S *	10/1971	Gugeiot et al.	D26/37
D343,019 S *	1/1994	Garrity	D26/37
D484,270 S *	12/2003	Yiu	D26/89
D561,924 S *	2/2008	Yiu	D26/72
D563,017 S *	2/2008	Waedeled	D26/70
2003/0030745 A1 *	2/2003	Meek et al.	348/370

* cited by examiner

Primary Examiner—Ian Simmons

Assistant Examiner—Dana L Sipos

(74) *Attorney, Agent, or Firm*—Rodman & Rodman

(57) **CLAIM**

The ornamental design for a lamp device, as shown and described.

DESCRIPTION

FIG. 1 is a top, front, left side perspective view of a lamp device showing my new design;

FIG. 2 is a bottom, rear, right side perspective view thereof;

FIG. 3 is a front elevation view thereof;

FIG. 4 is a rear elevation view thereof;

FIG. 5 is a left side elevation view thereof;

FIG. 6 is a right side elevation view thereof;

FIG. 7 is a top plan view thereof;

FIG. 8 is a bottom plan view thereof;

FIG. 9 is a top, front, left side perspective view of the lamp housing portion of the lamp device with the attachment holder portion removed;

FIG. 10 is a bottom, rear, right side perspective view thereof;

FIG. 11 is a front elevation view thereof;

FIG. 12 is a rear elevation view thereof;

FIG. 13 is a left side elevation view thereof;

FIG. 14 is a right side elevation view thereof;

FIG. 15 is a top plan view thereof;

FIG. 16 is a bottom plan view thereof;

FIG. 17 is a top, front, right side perspective view of the attachment holder portion of the lamp device shown with the lamp housing portion removed;

FIG. 18 is a bottom, rear, right side perspective view thereof;

FIG. 19 is a front elevation view thereof;

FIG. 20 is a rear elevation view thereof;

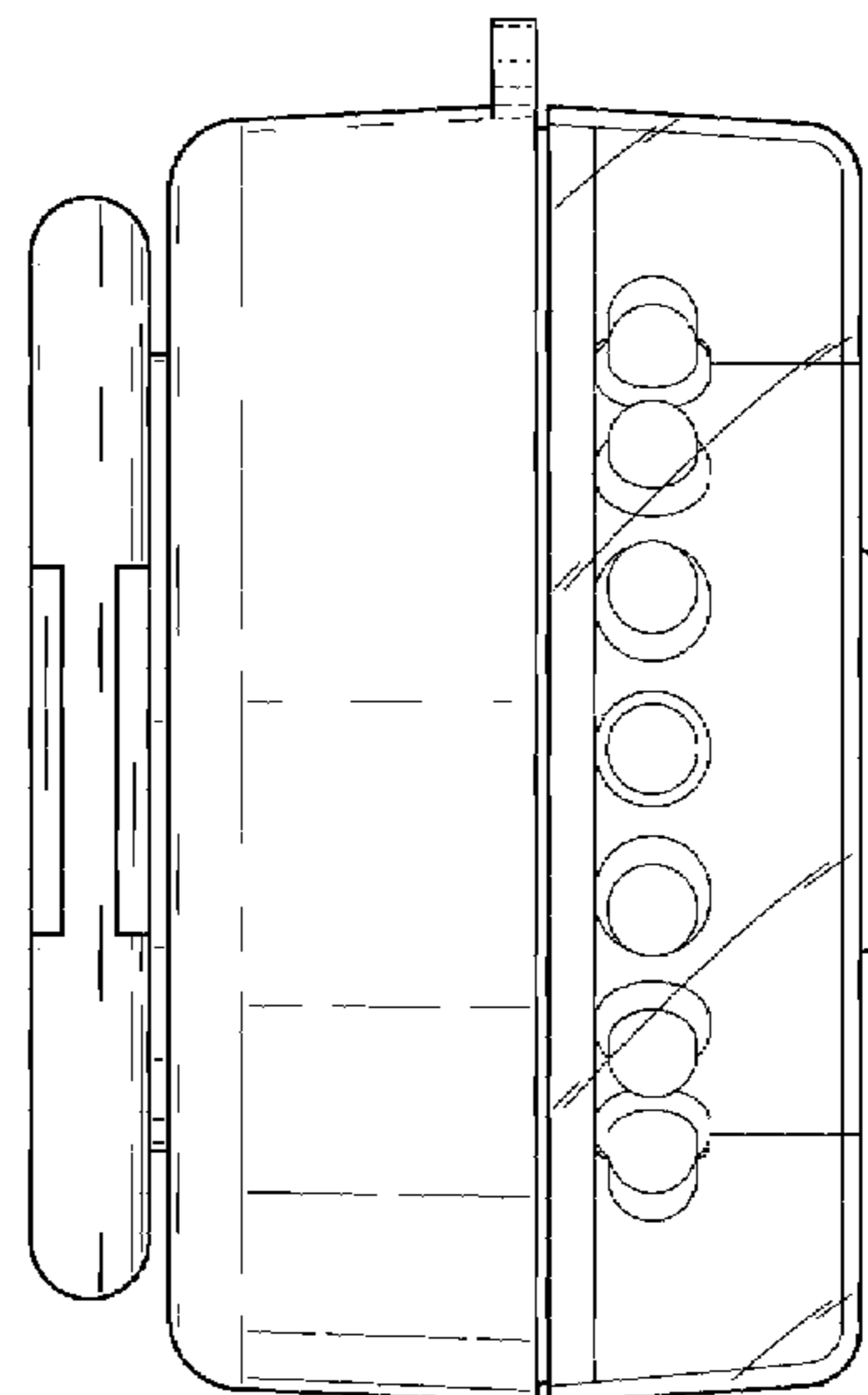
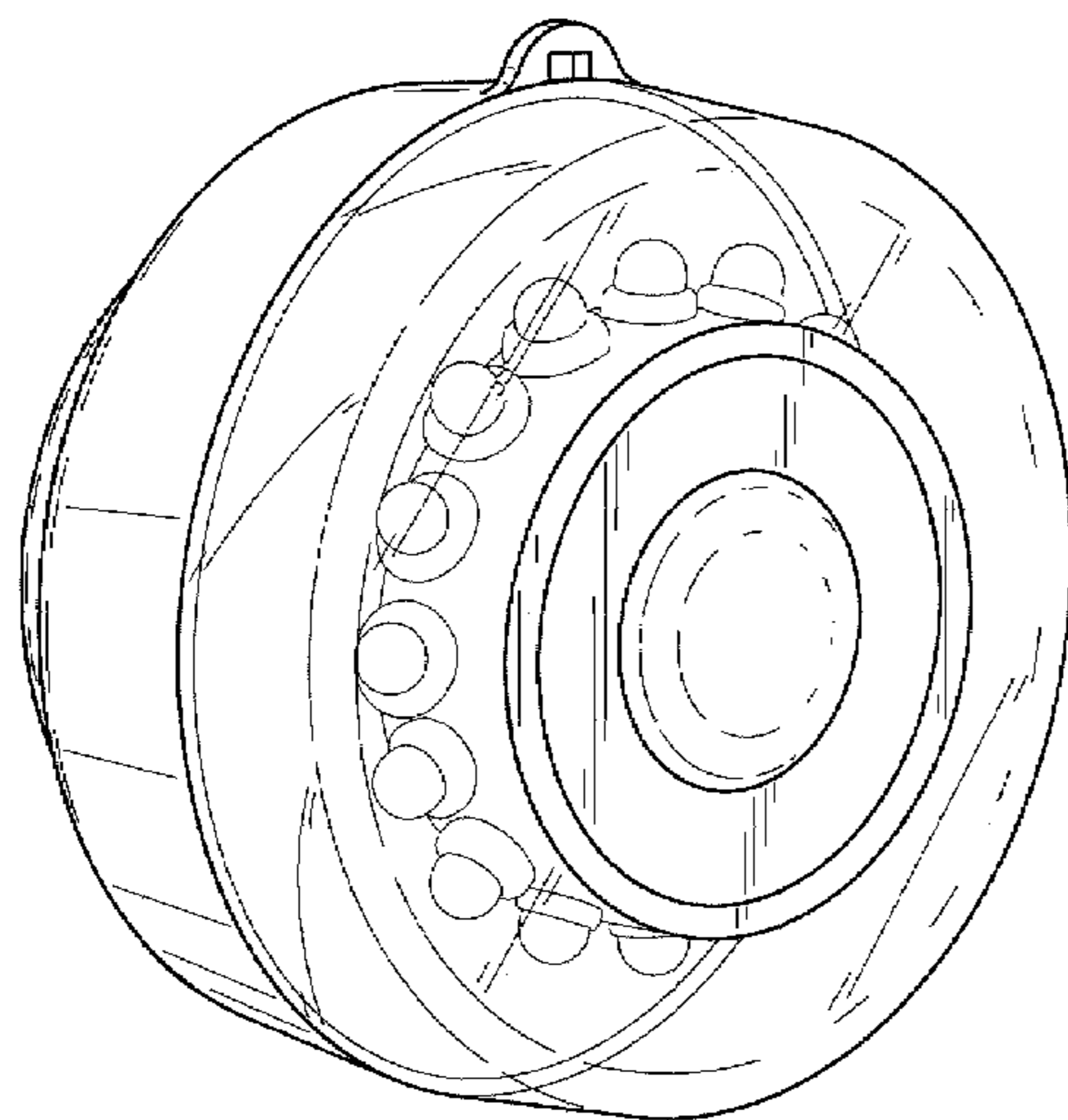
FIG. 21 is a left side elevation view thereof;

FIG. 22 is a right side elevation view thereof;

FIG. 23 is a top plan view thereof; and,

FIG. 24 is a bottom plan view thereof.

1 Claim, 11 Drawing Sheets



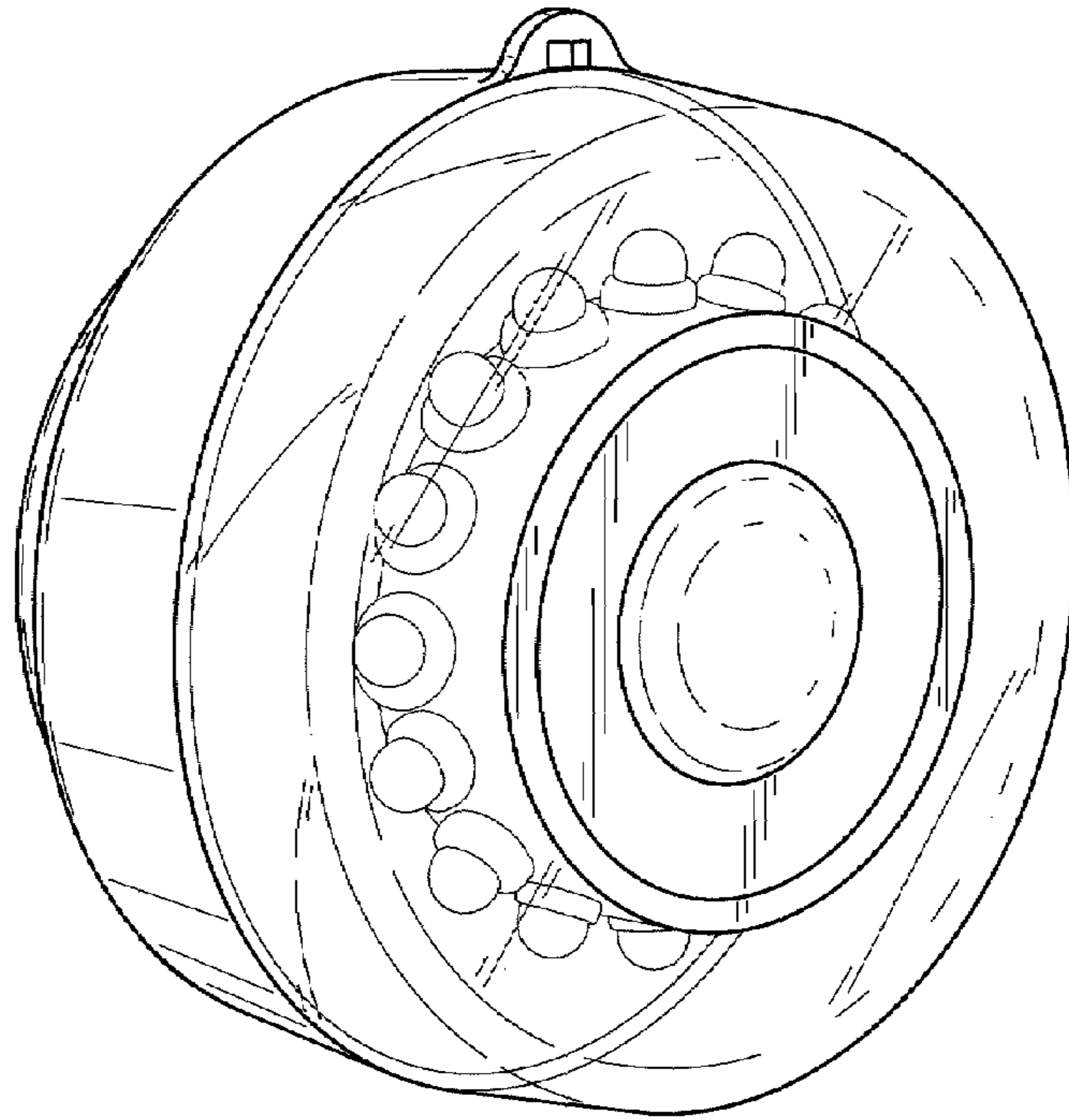


Fig. 1.

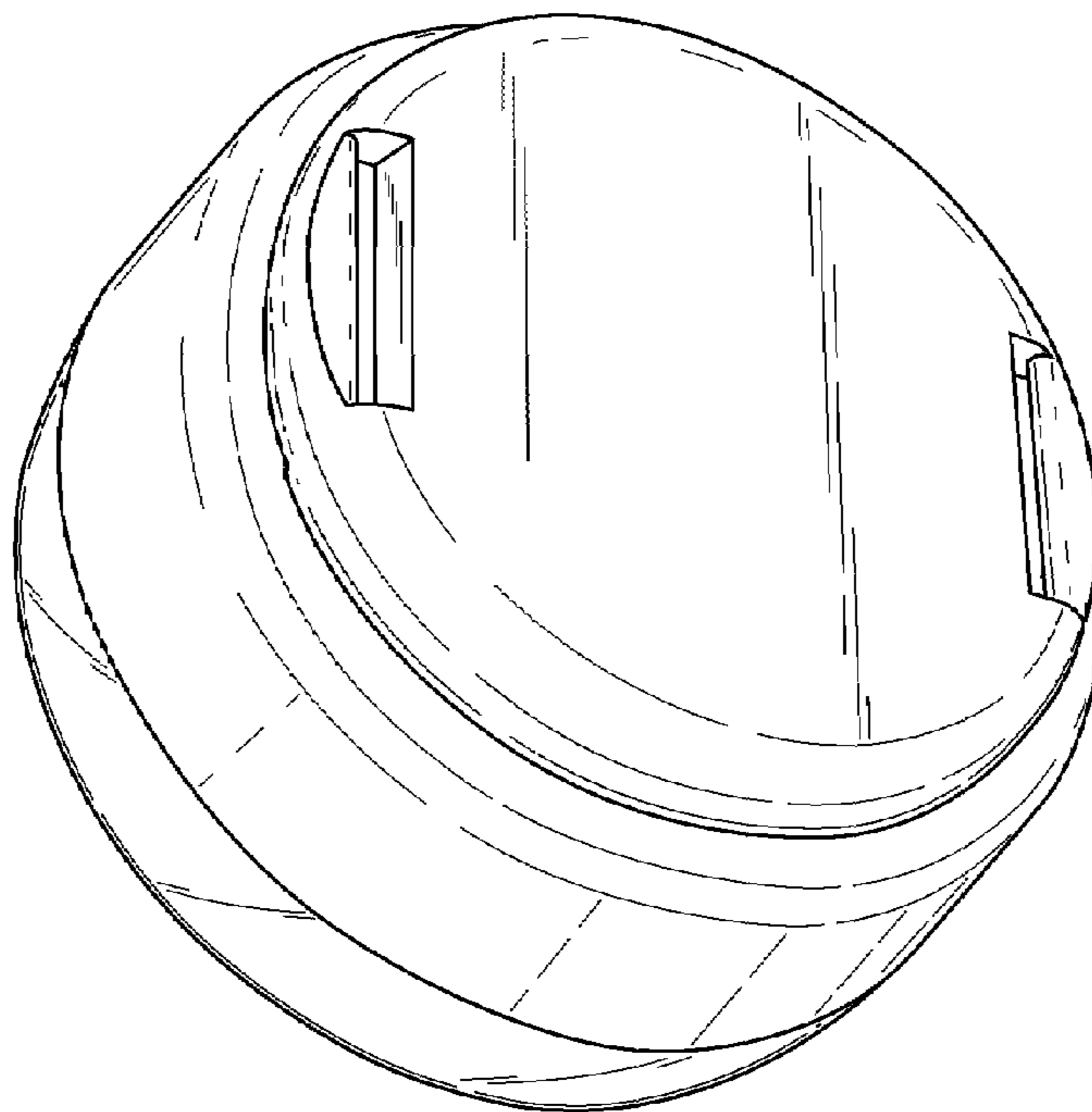


Fig. 2.

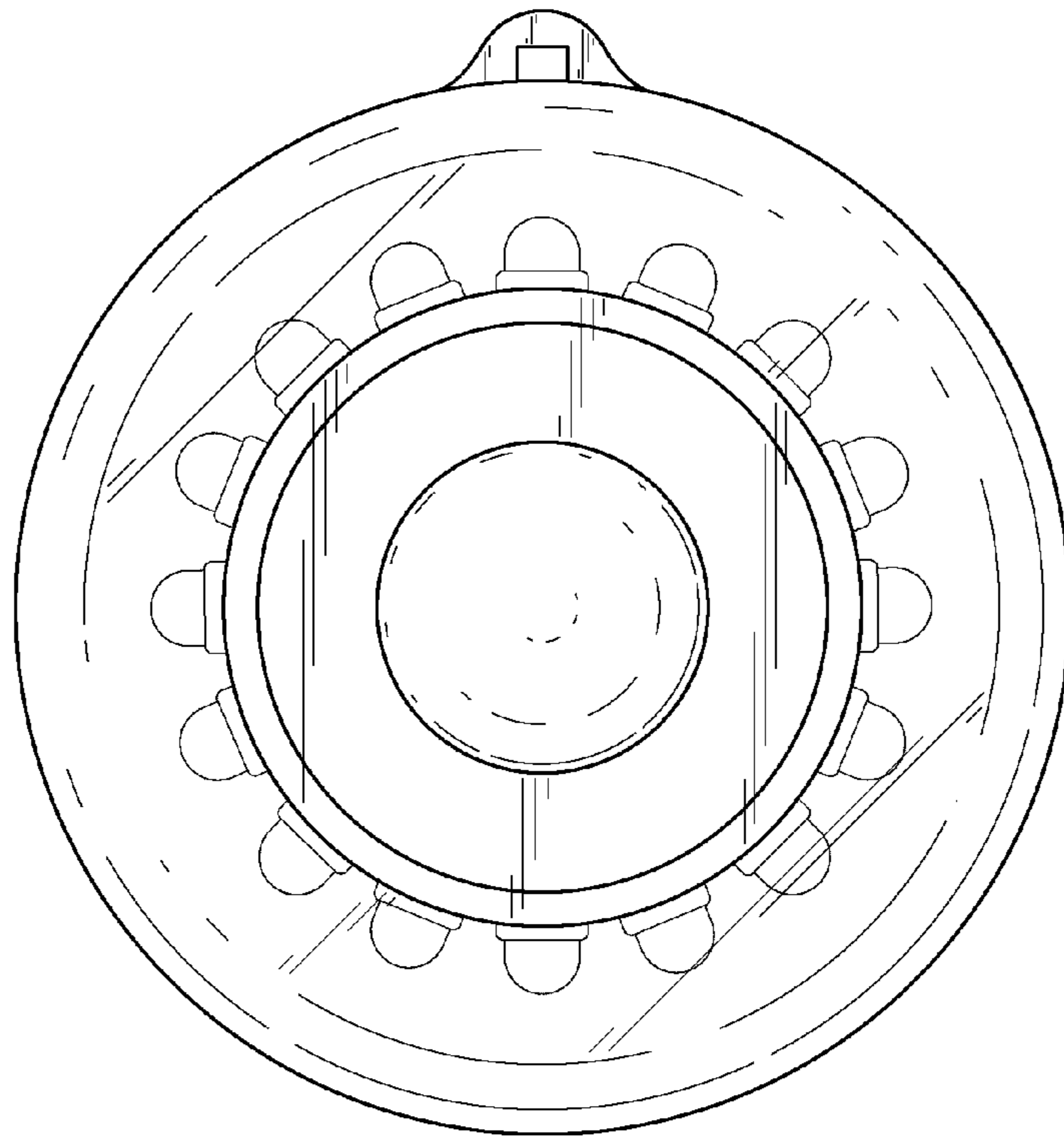


Fig.3.

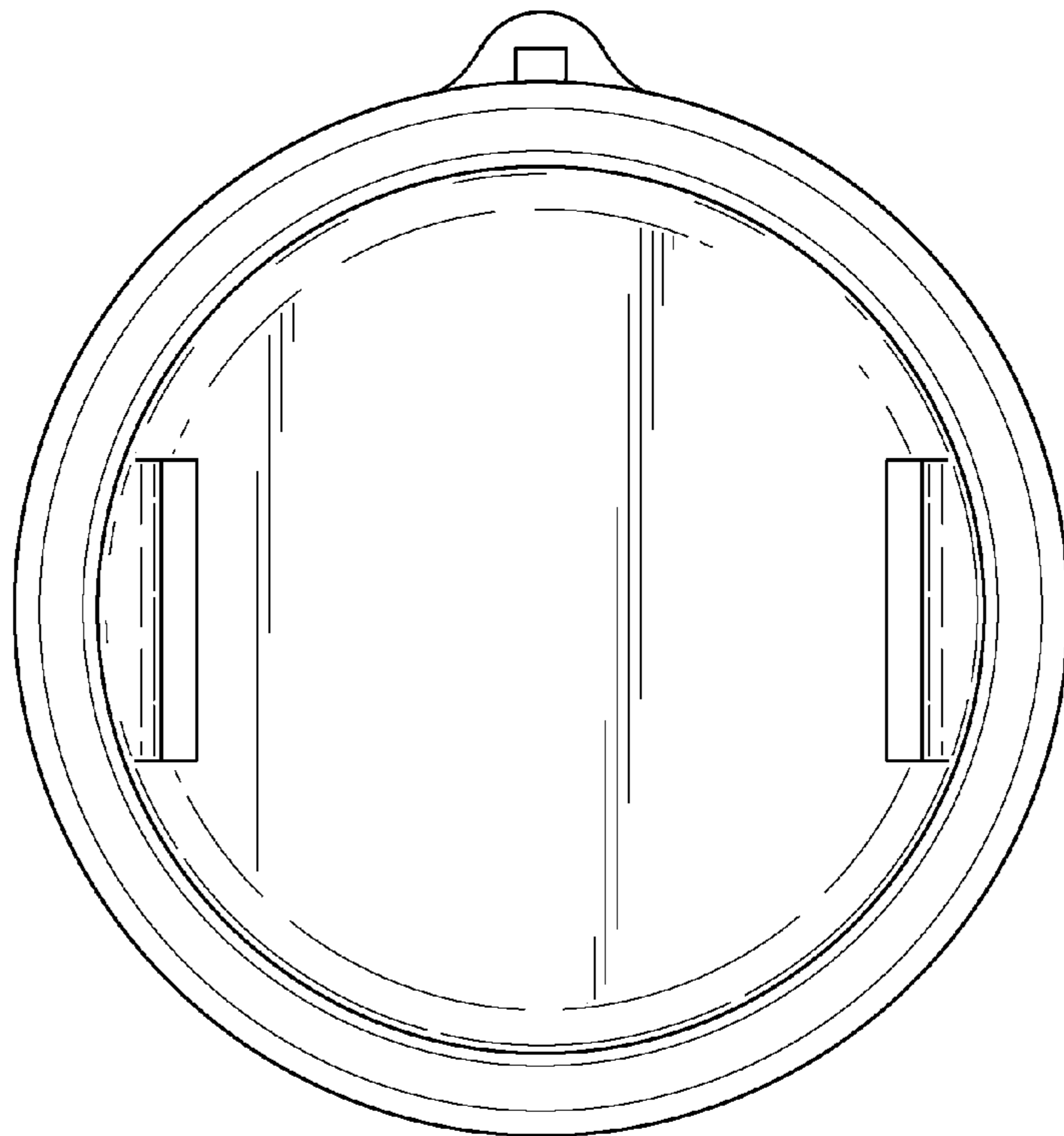


Fig.4.

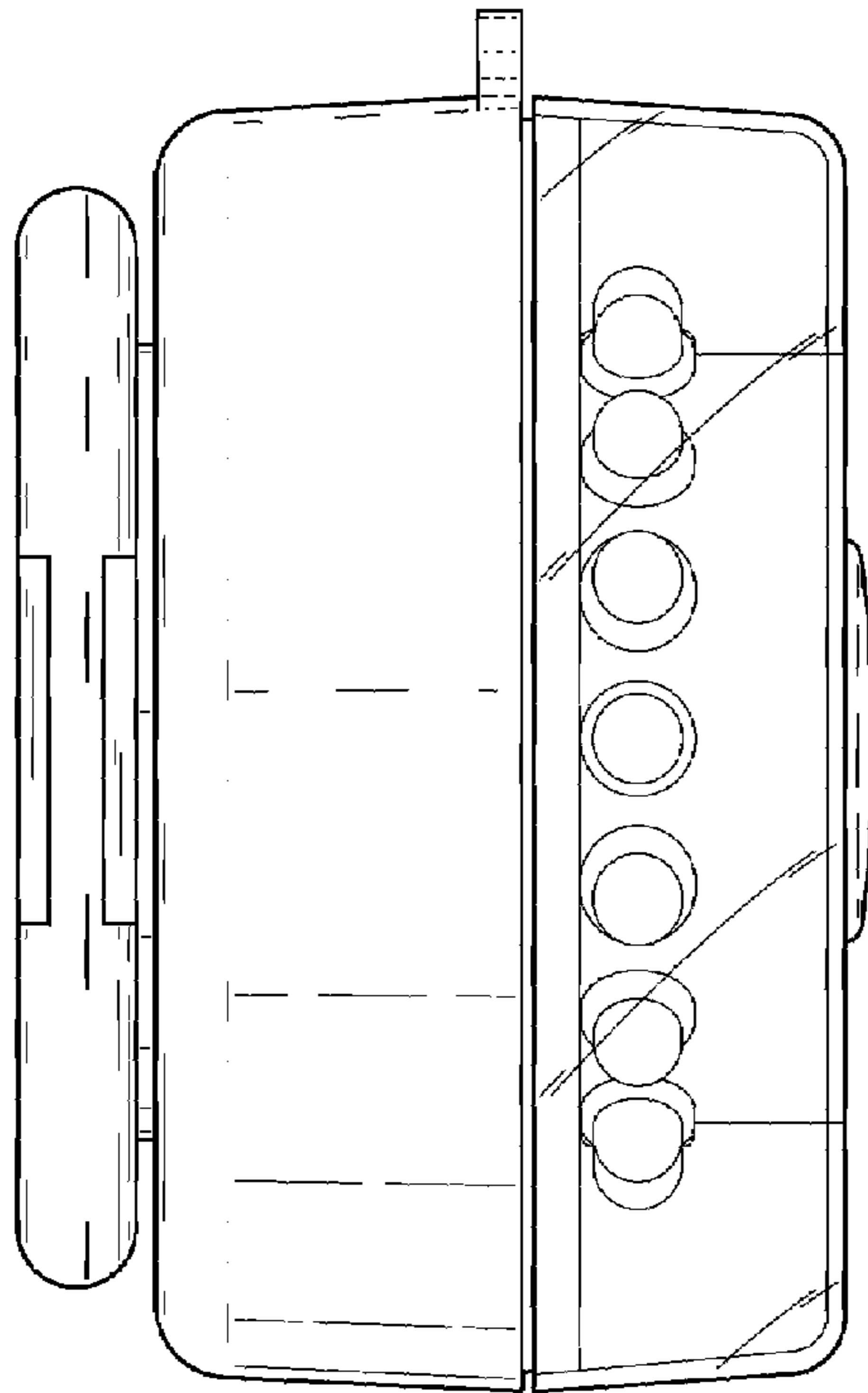


Fig.5.

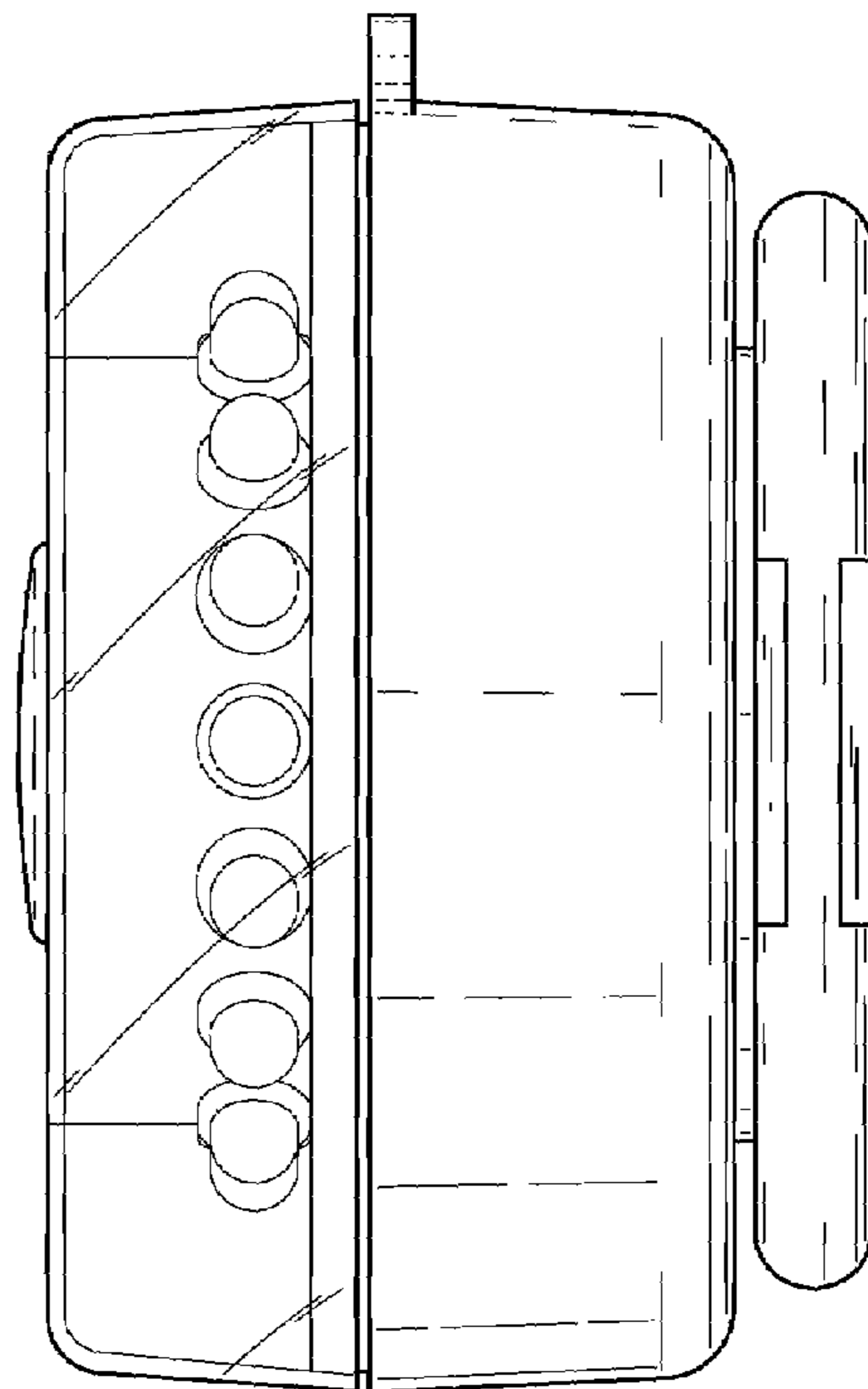


Fig.6.

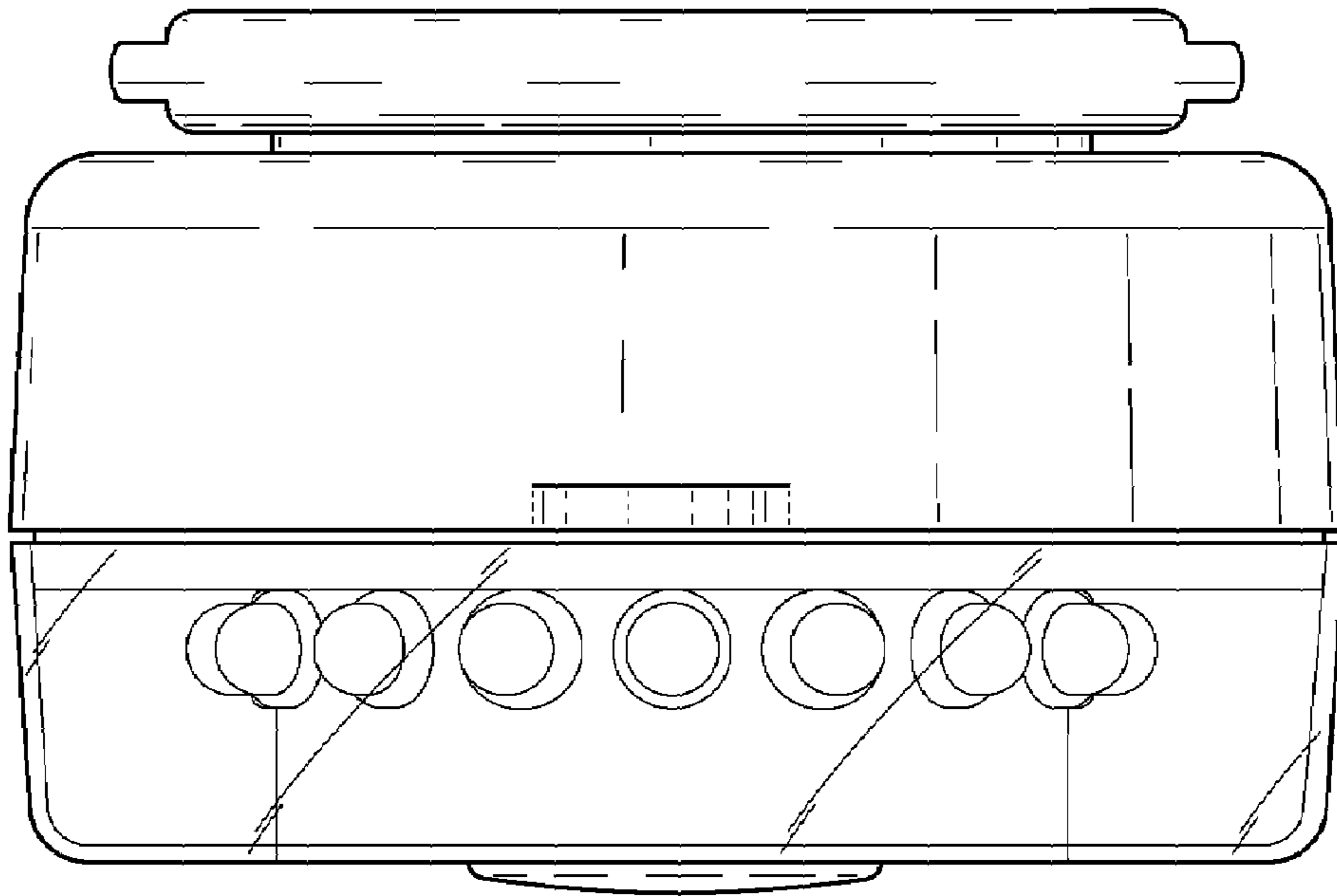


Fig. 7.

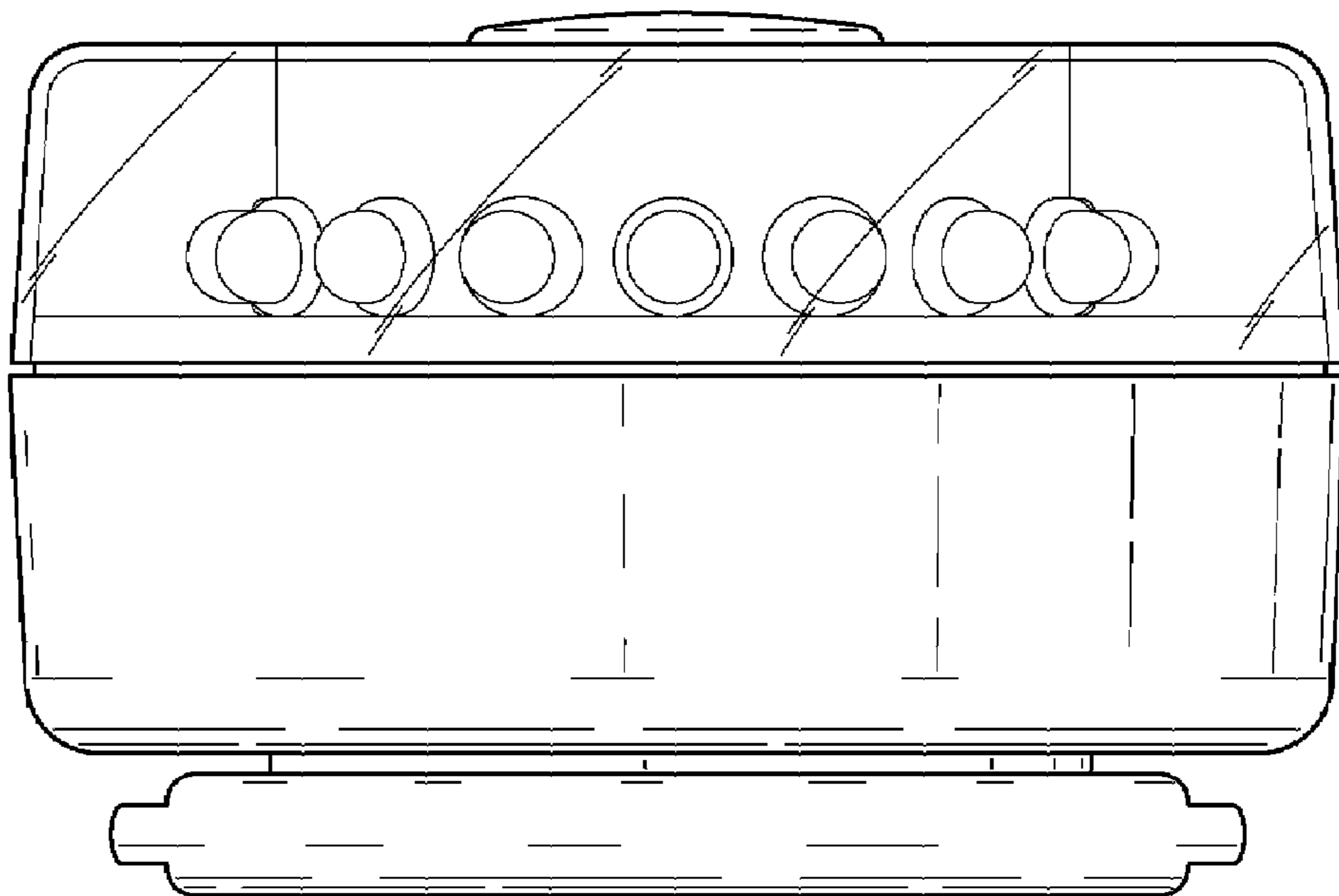


Fig. 8.

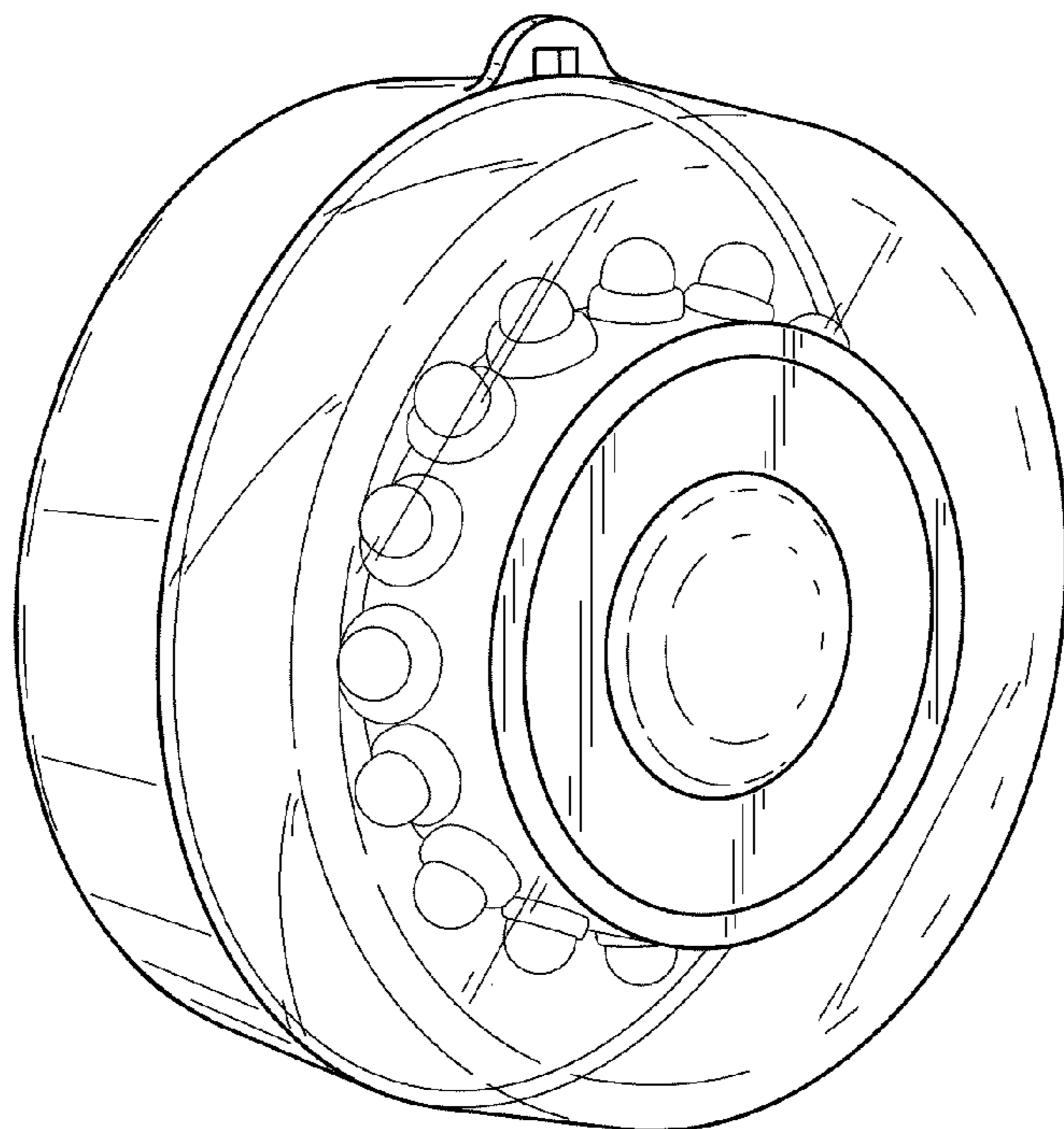


Fig.9.

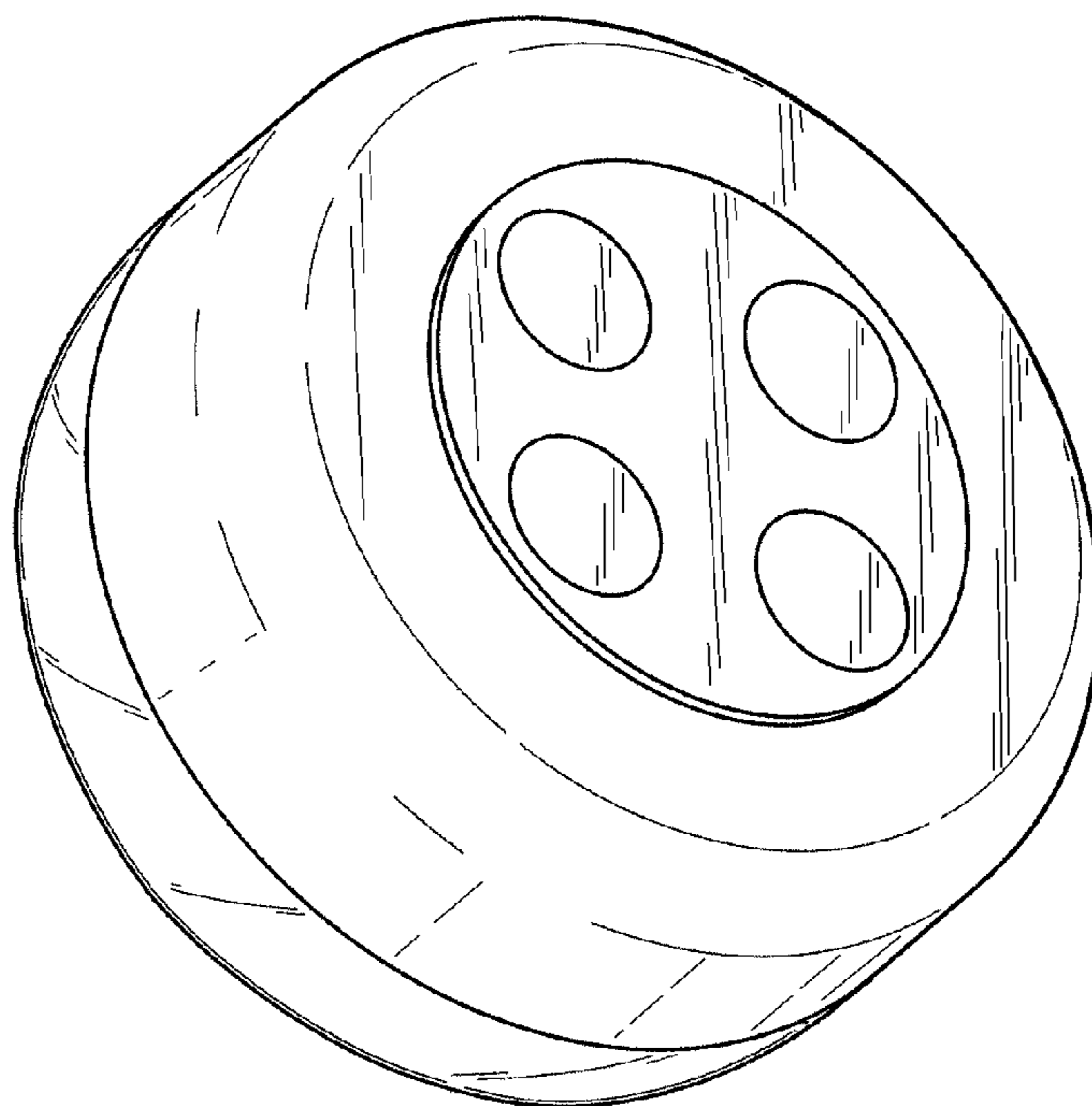


Fig.10.

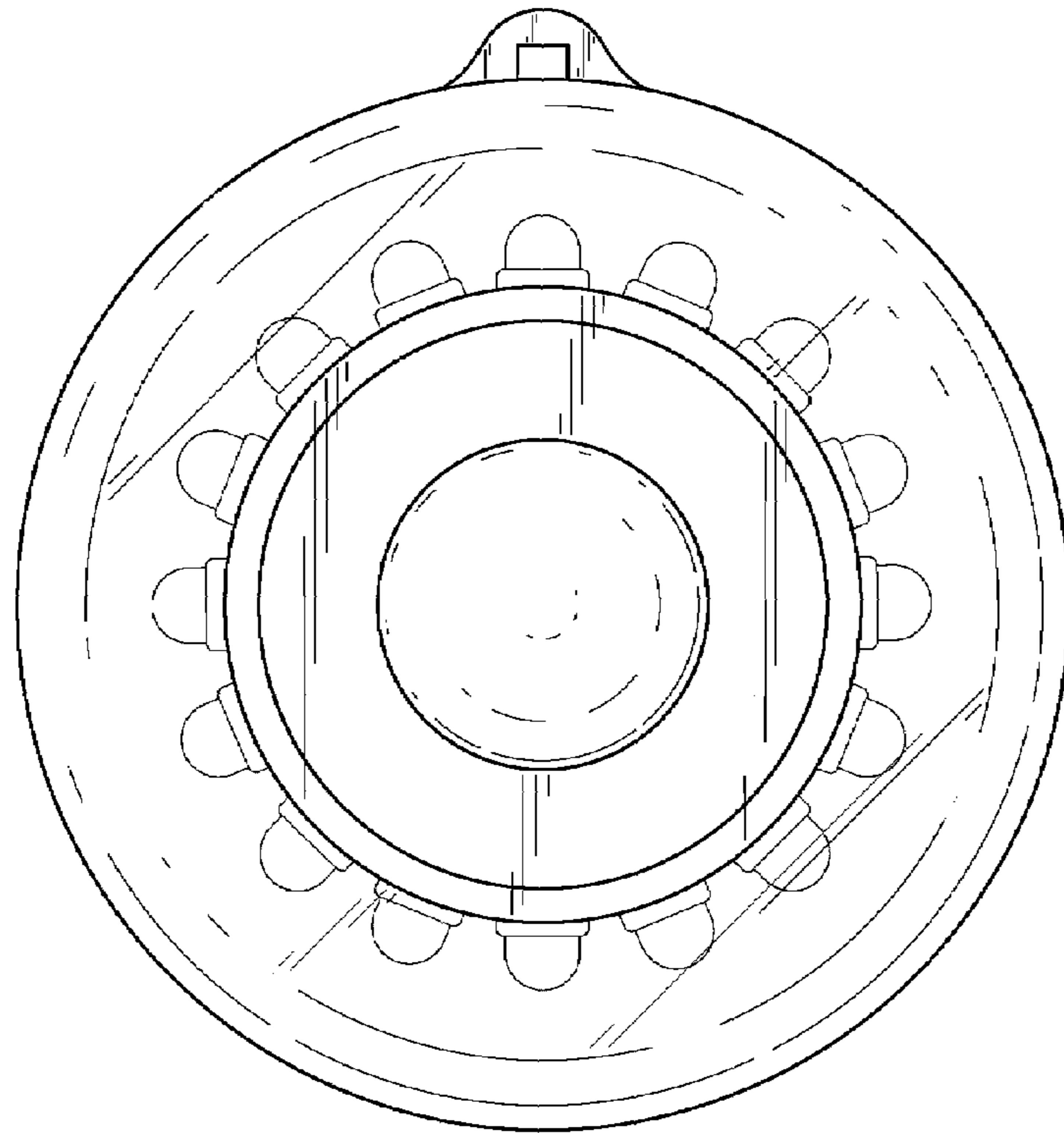


Fig.11.

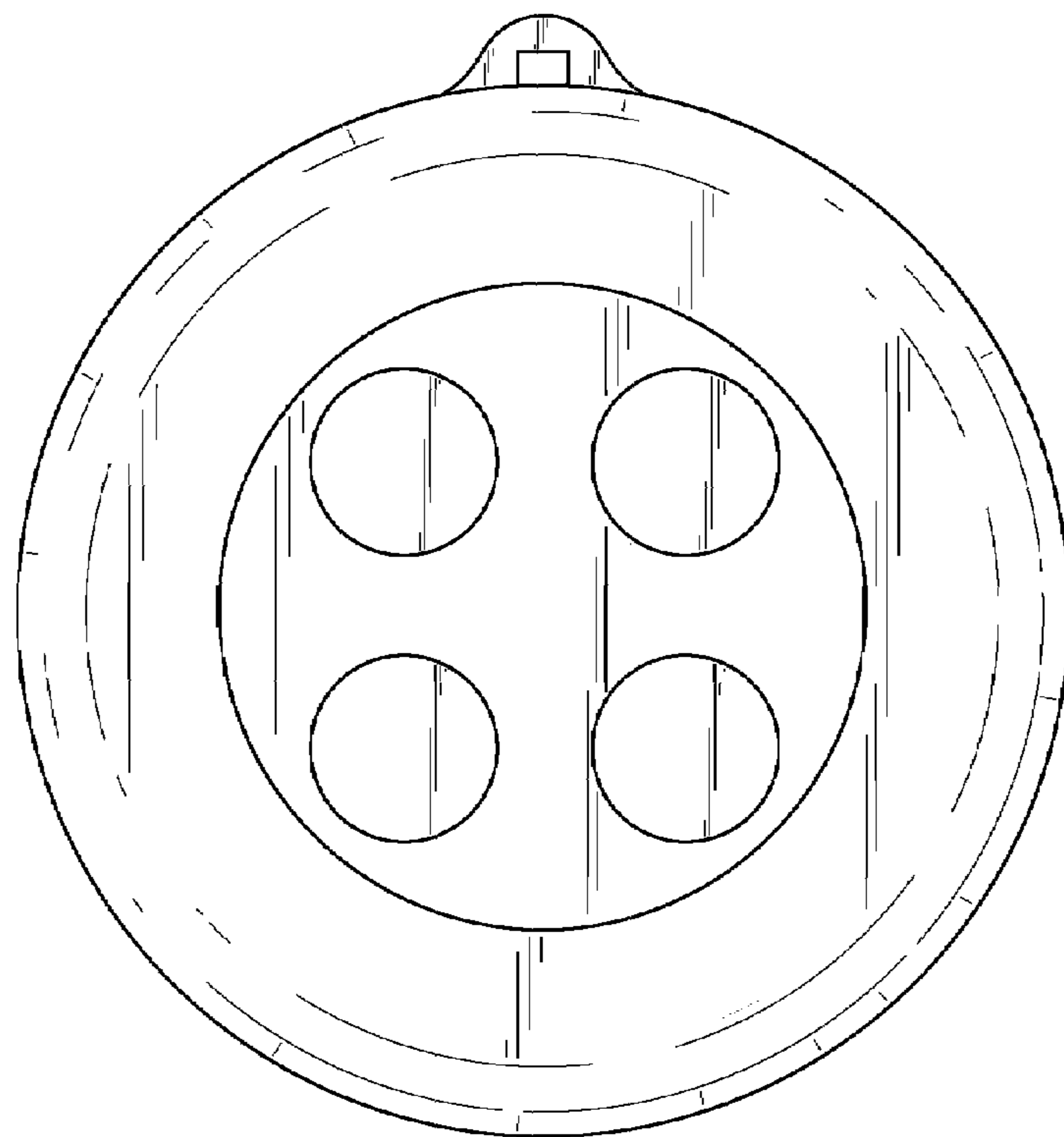


Fig.12.

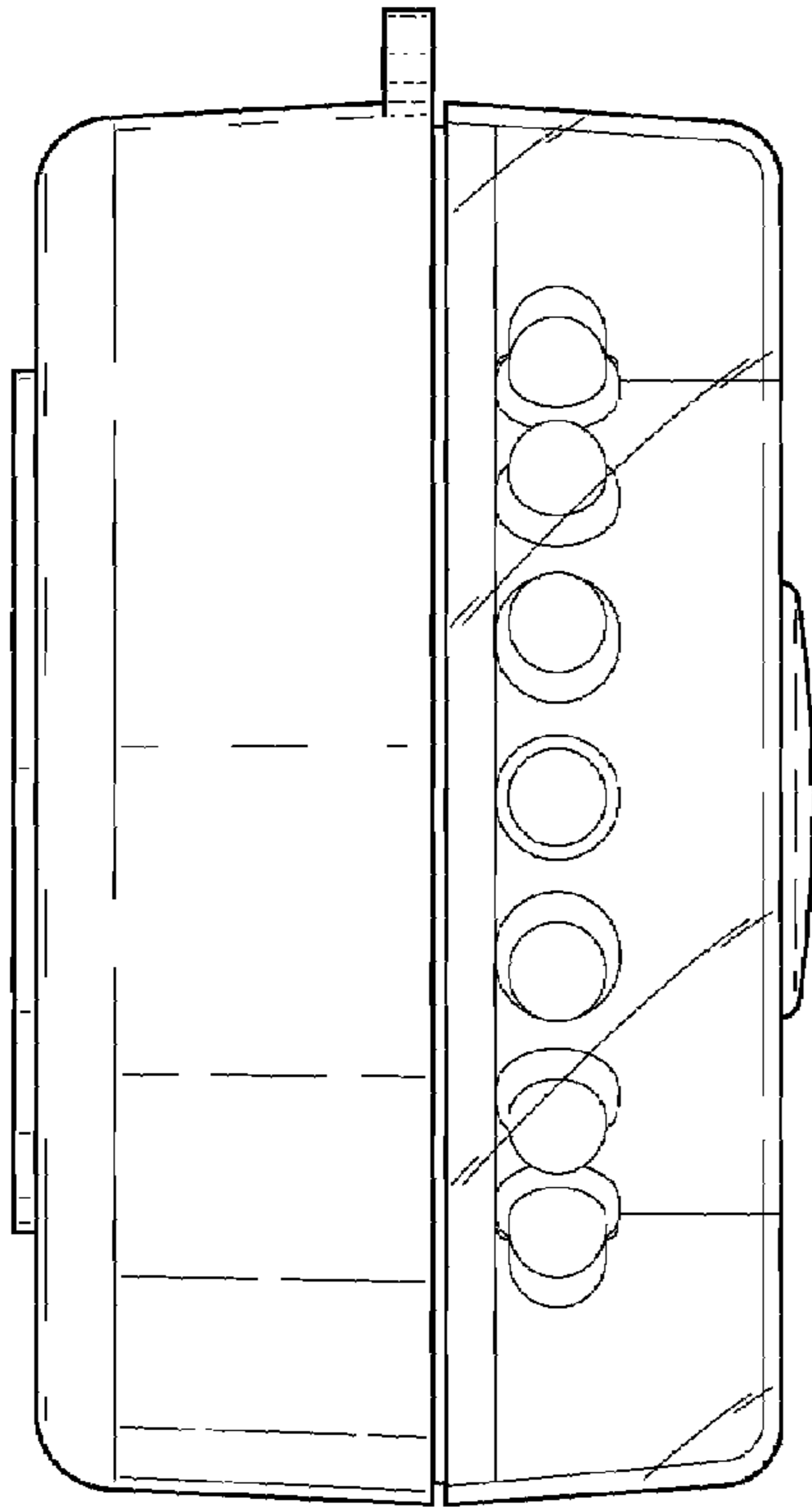


Fig.13.

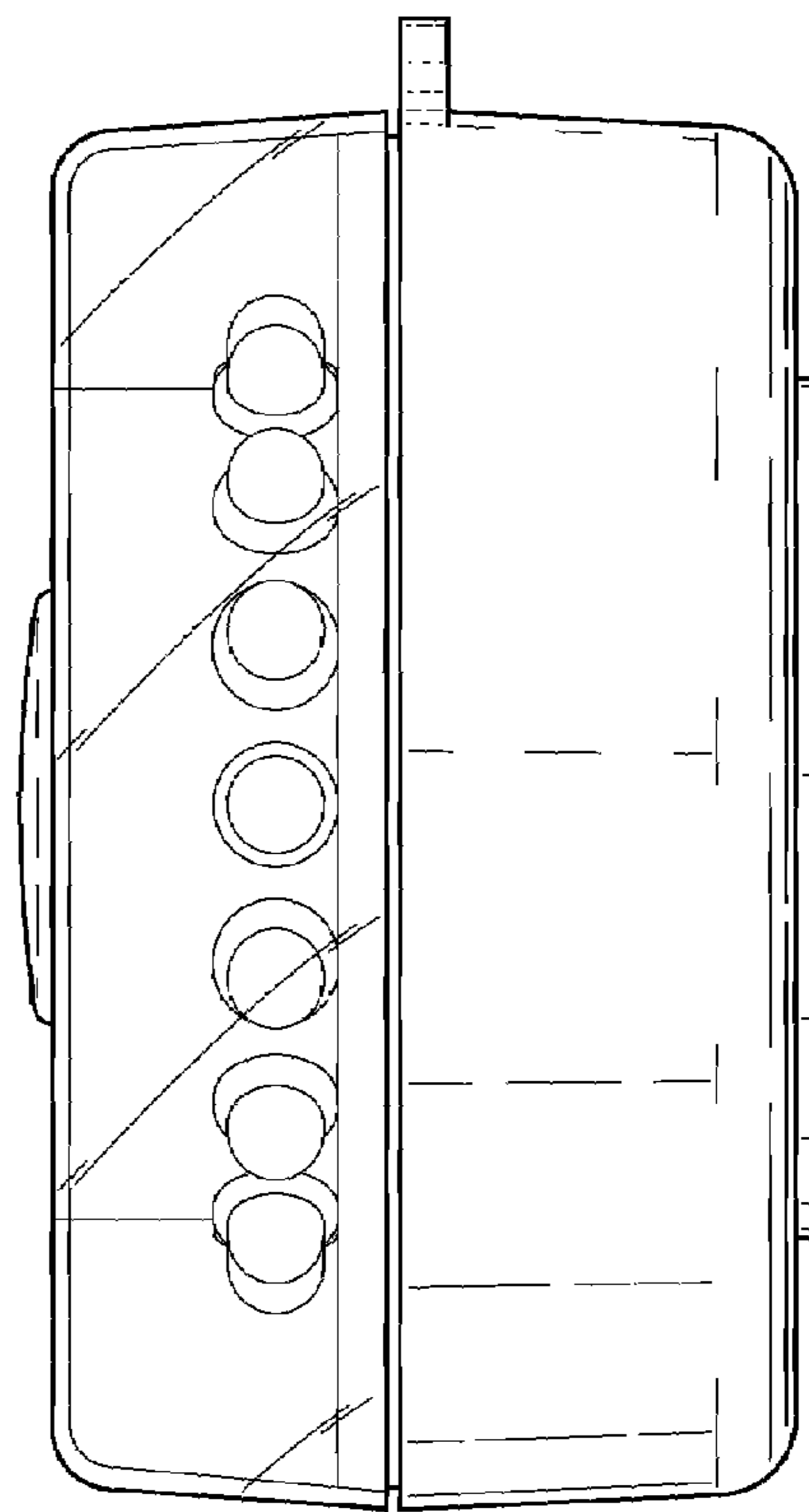


Fig.14.

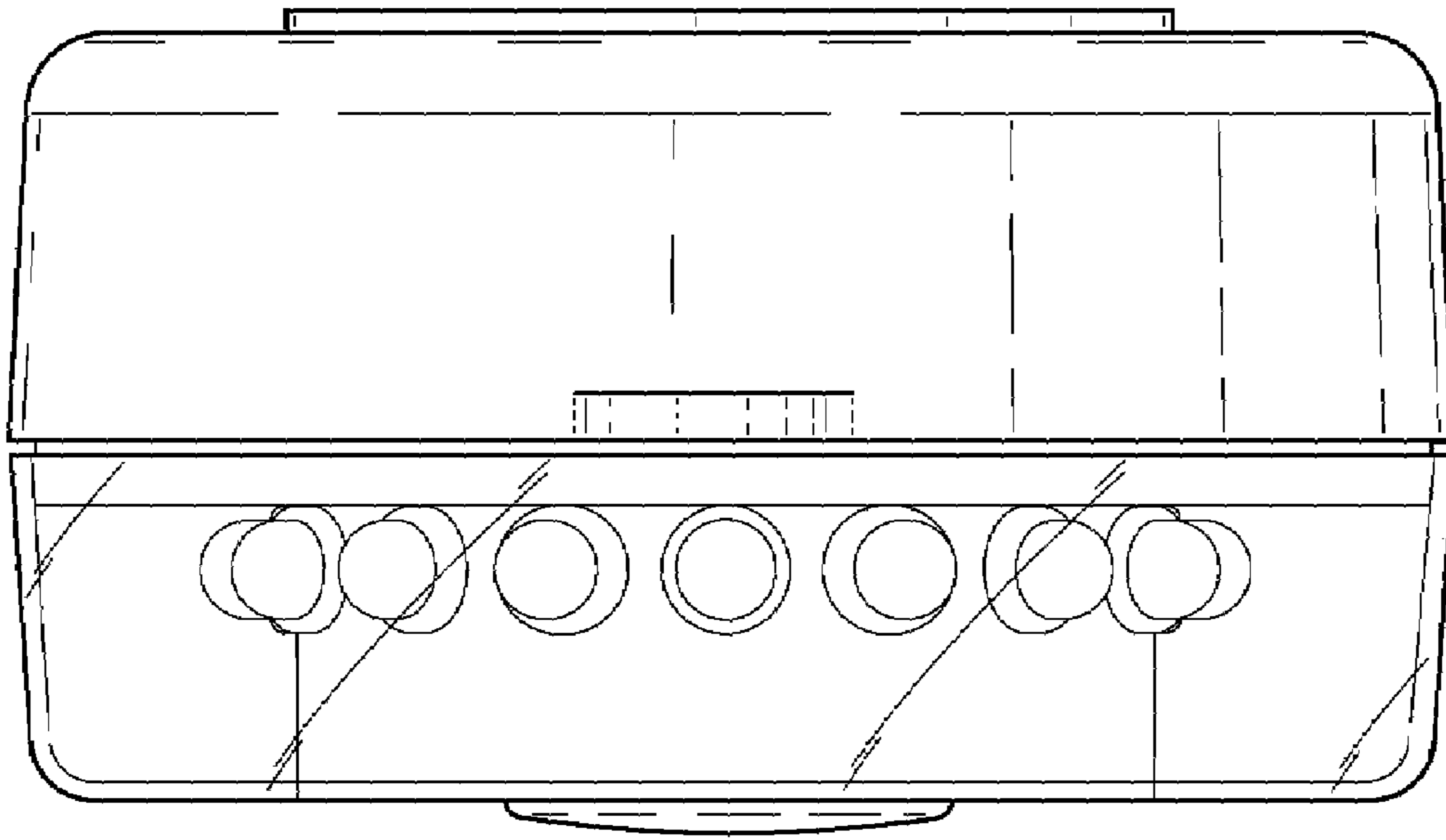


Fig. 15.

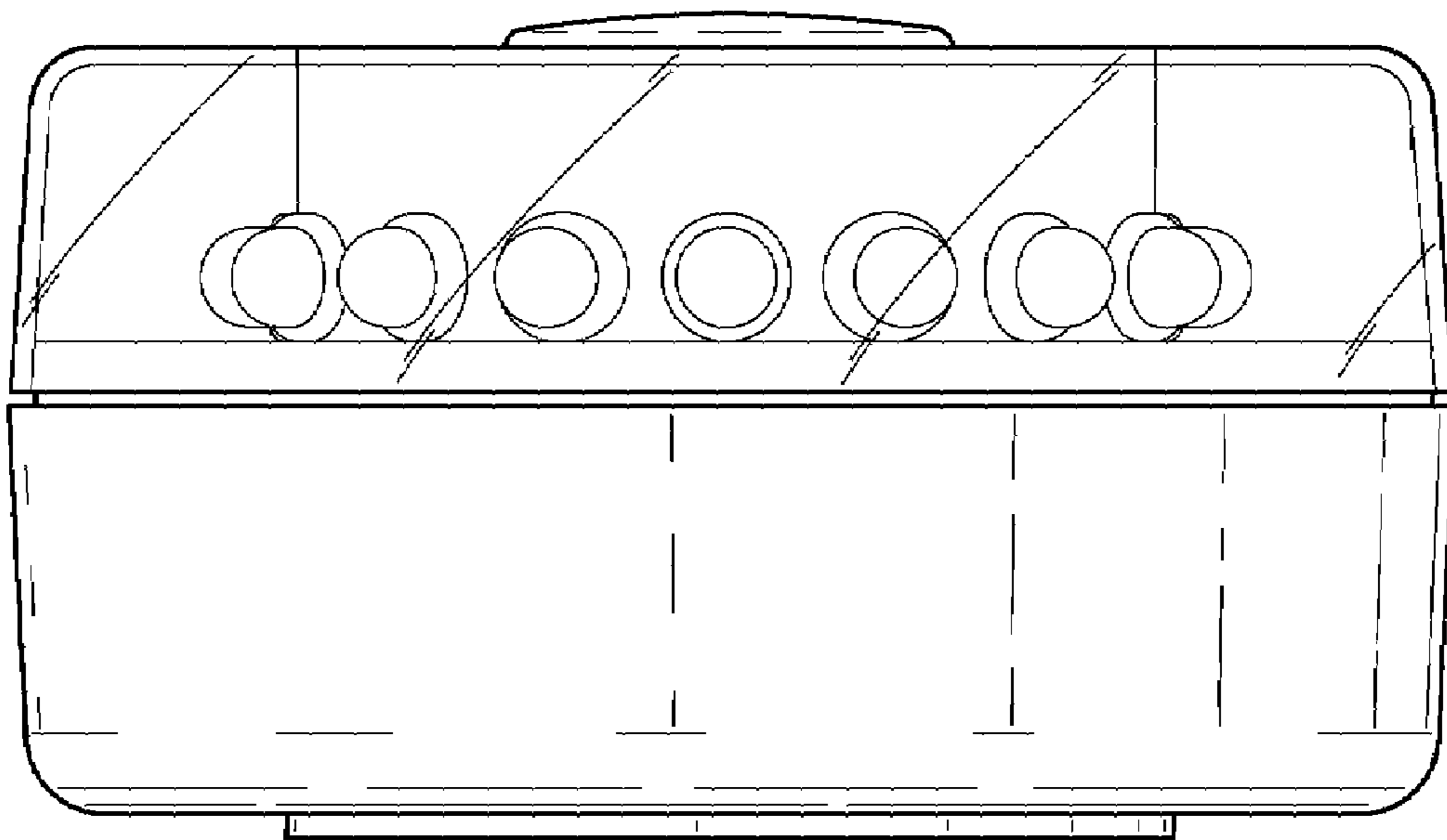


Fig. 16.

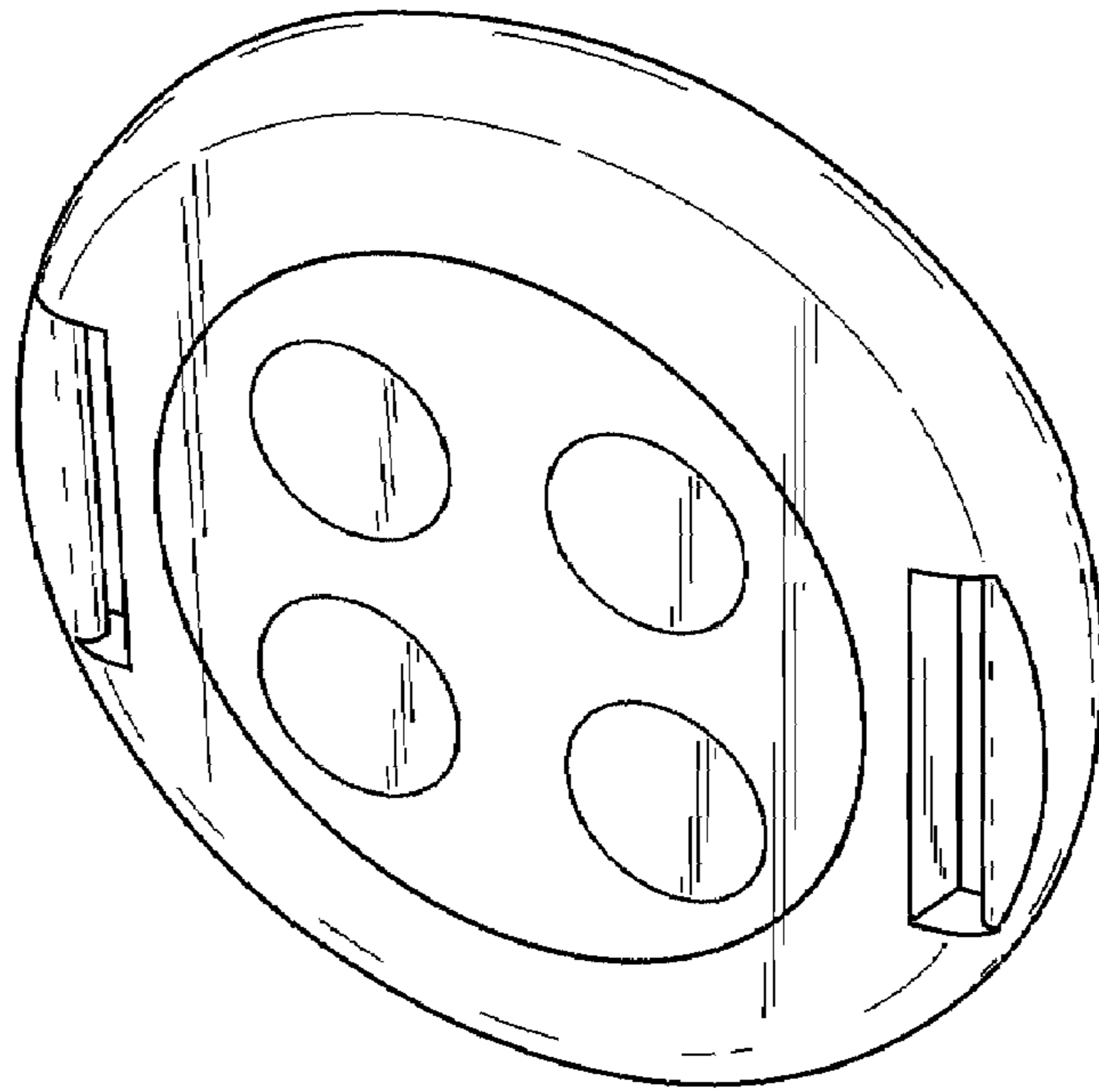


Fig. 17.

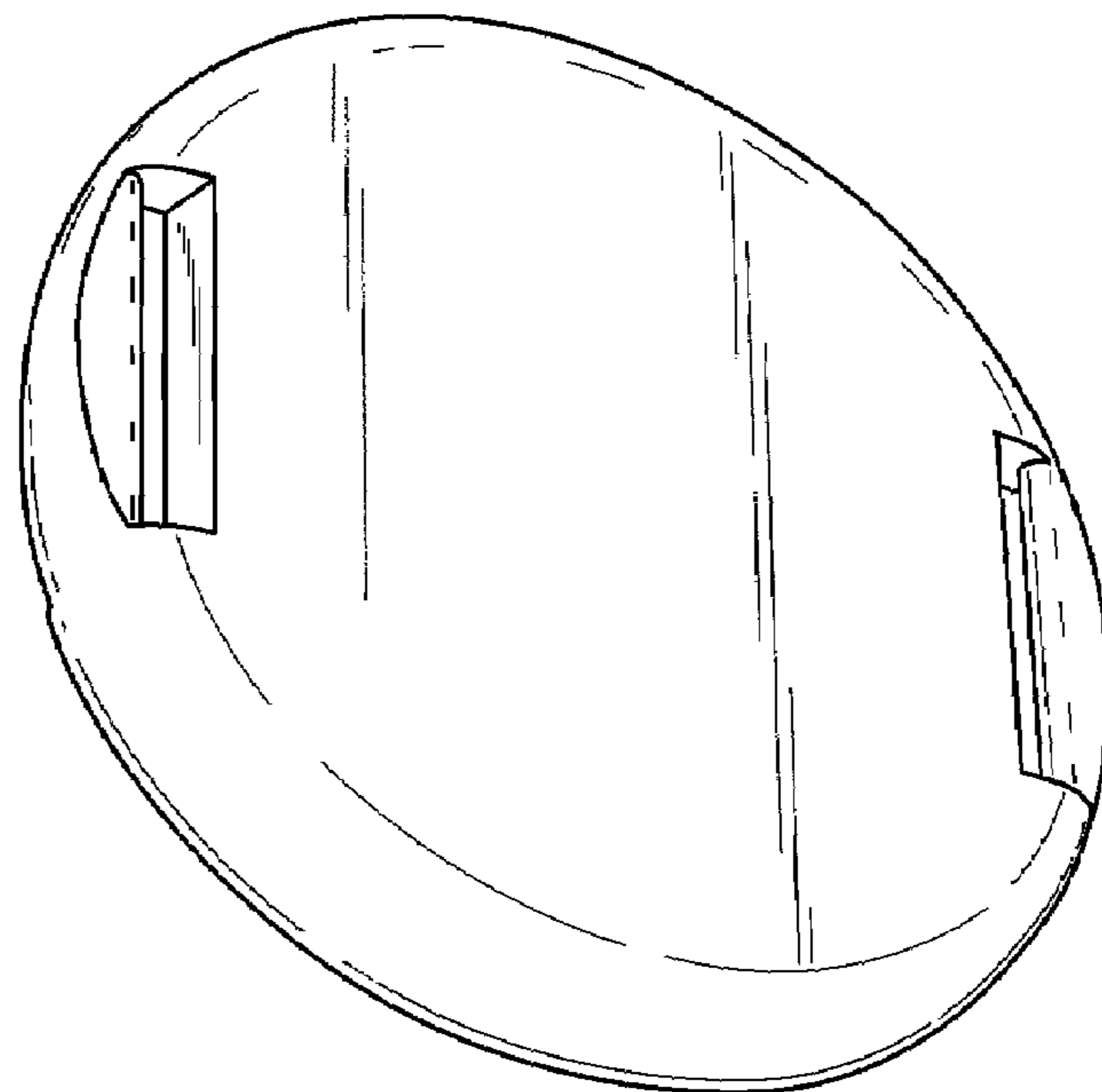


Fig. 18.

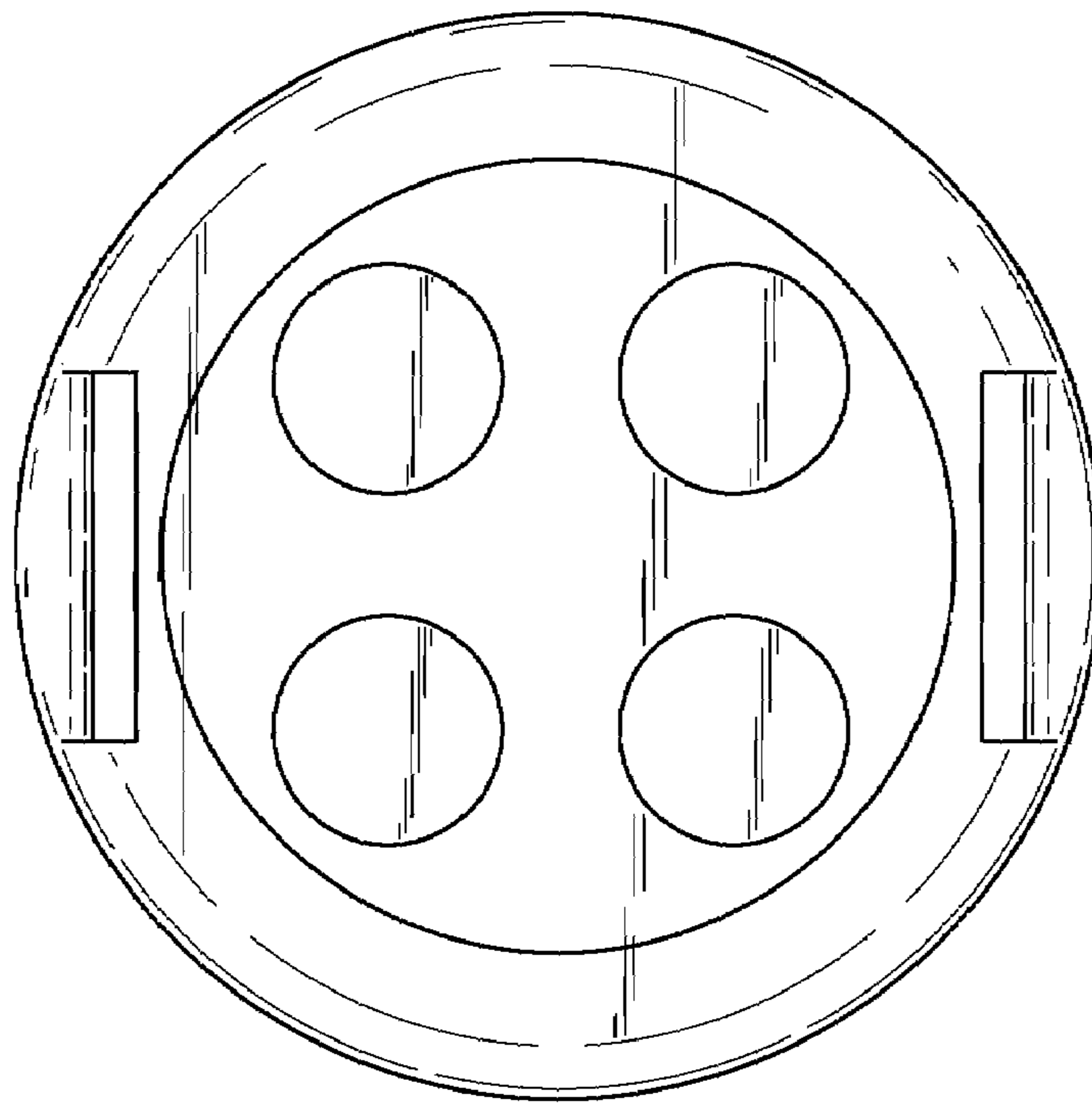


Fig.19.

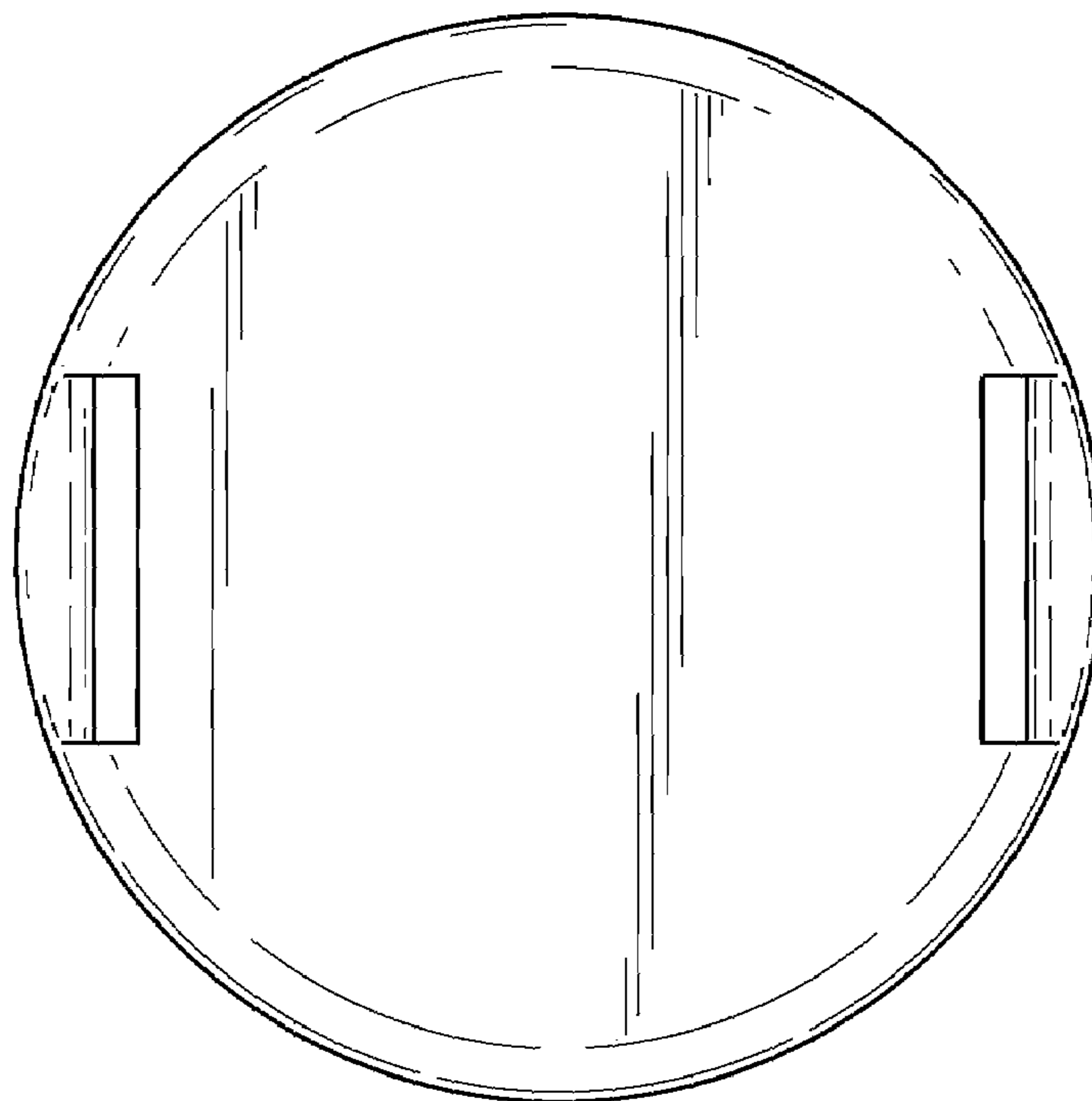


Fig.20.

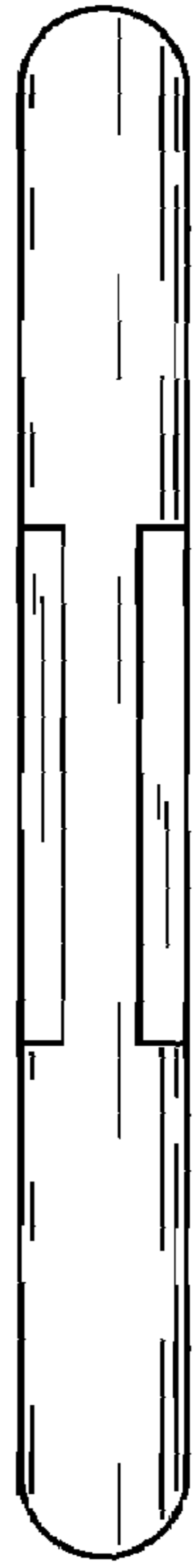


Fig.21.

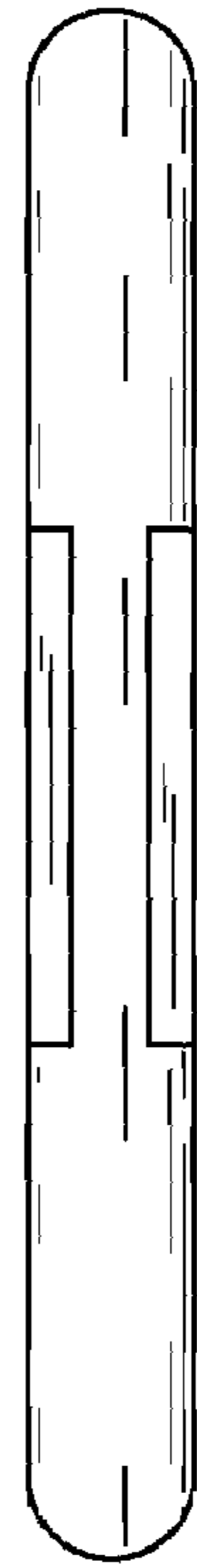


Fig.22.

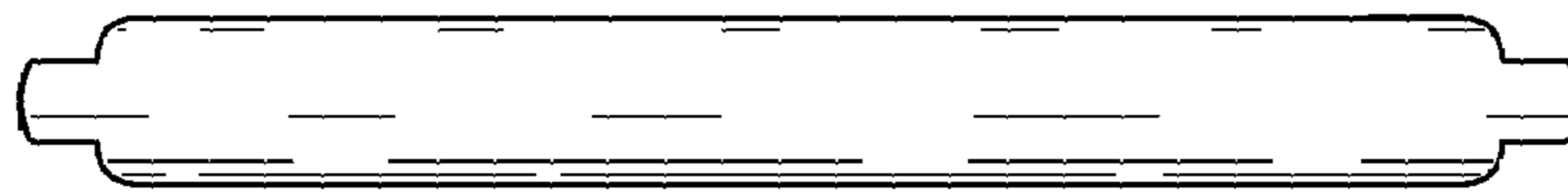


Fig.23.

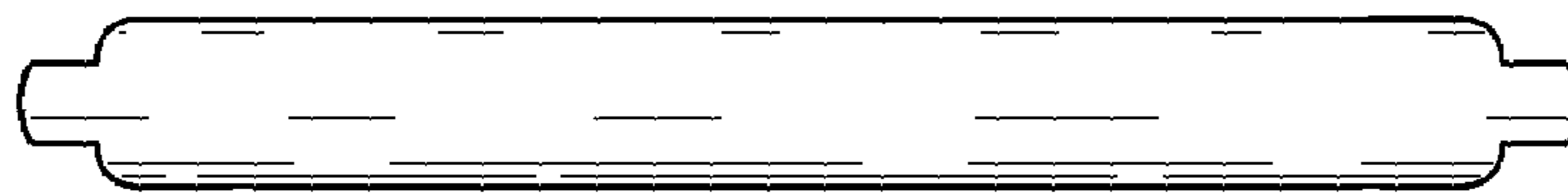


Fig.24.