

US00D577835S

(12) **United States Design Patent**
Raheel et al.

(10) **Patent No.:** **US D577,835 S**

(45) **Date of Patent:** **** Sep. 30, 2008**

(54) **SUSPENDED CEILING GRID TEE**

(75) Inventors: **Muhammad M. Raheel**, Mundelein, IL (US); **James J. Lehane, Jr.**, McHenry, IL (US); **Paul LaLonde**, Highland Park, IL (US)

(73) Assignee: **USG Interiors, Inc.**, Chicago, IL (US)

(**) Term: **14 Years**

(21) Appl. No.: **29/275,538**

(22) Filed: **Dec. 29, 2006**

(51) **LOC (8) Cl.** **25-01**

(52) **U.S. Cl.** **D25/138; D25/164**

(58) **Field of Classification Search** D25/138, D25/119, 126, 136, 164, 38, 141-144, 121; 52/588.1, 506.07, 506.08, 506.09, 634, 729.1, 52/733.1, 731.7, 241, 232, 311.2, 311.3; 72/203

See application file for complete search history.

(56) **References Cited**

U.S. PATENT DOCUMENTS

991,603	A	5/1911	Brooks	
1,927,442	A	9/1933	Laufle	
3,214,875	A	11/1965	Slowinski et al.	
3,241,284	A *	3/1966	Gregoire	52/588.1
3,511,012	A	5/1970	Brady	
3,526,073	A	9/1970	Brady	
4,554,718	A	11/1985	Ollinger et al.	
4,817,357	A *	4/1989	Hocevar	52/733.1

4,852,325	A *	8/1989	Dunn et al.	52/733.1
5,088,261	A *	2/1992	Mieyal et al.	52/733.1
5,535,569	A	7/1996	Seccombe et al.	
6,047,511	A	4/2000	Lehane et al.	
6,108,994	A *	8/2000	Bodine	52/506.07
6,131,362	A	10/2000	Buecker	
6,178,712	B1 *	1/2001	Sauer	52/506.07
6,305,137	B1 *	10/2001	Rebman	52/506.07
6,436,552	B1	8/2002	Walker et al.	
6,446,407	B1	9/2002	Lehane et al.	
6,523,314	B1	2/2003	LaLonde et al.	
6,751,922	B1 *	6/2004	Auriemma	52/733.1
6,964,140	B2	11/2005	Walker et al.	
2003/0154686	A1	8/2003	Platt	

* cited by examiner

Primary Examiner—Catherine R Oliver

(74) *Attorney, Agent, or Firm*—Pearne & Gordon LLP

(57) **CLAIM**

The ornamental design for a suspended ceiling grid tee, as shown and described.

DESCRIPTION

FIG. 1 is a perspective view of a partial length of a grid tee showing our new design;

FIG. 2 is an end view thereof;

FIG. 3 is a perspective view taken from a side opposite FIG. 1; and,

FIG. 4 is an end view taken from the end opposite FIG. 2.

1 Claim, 2 Drawing Sheets

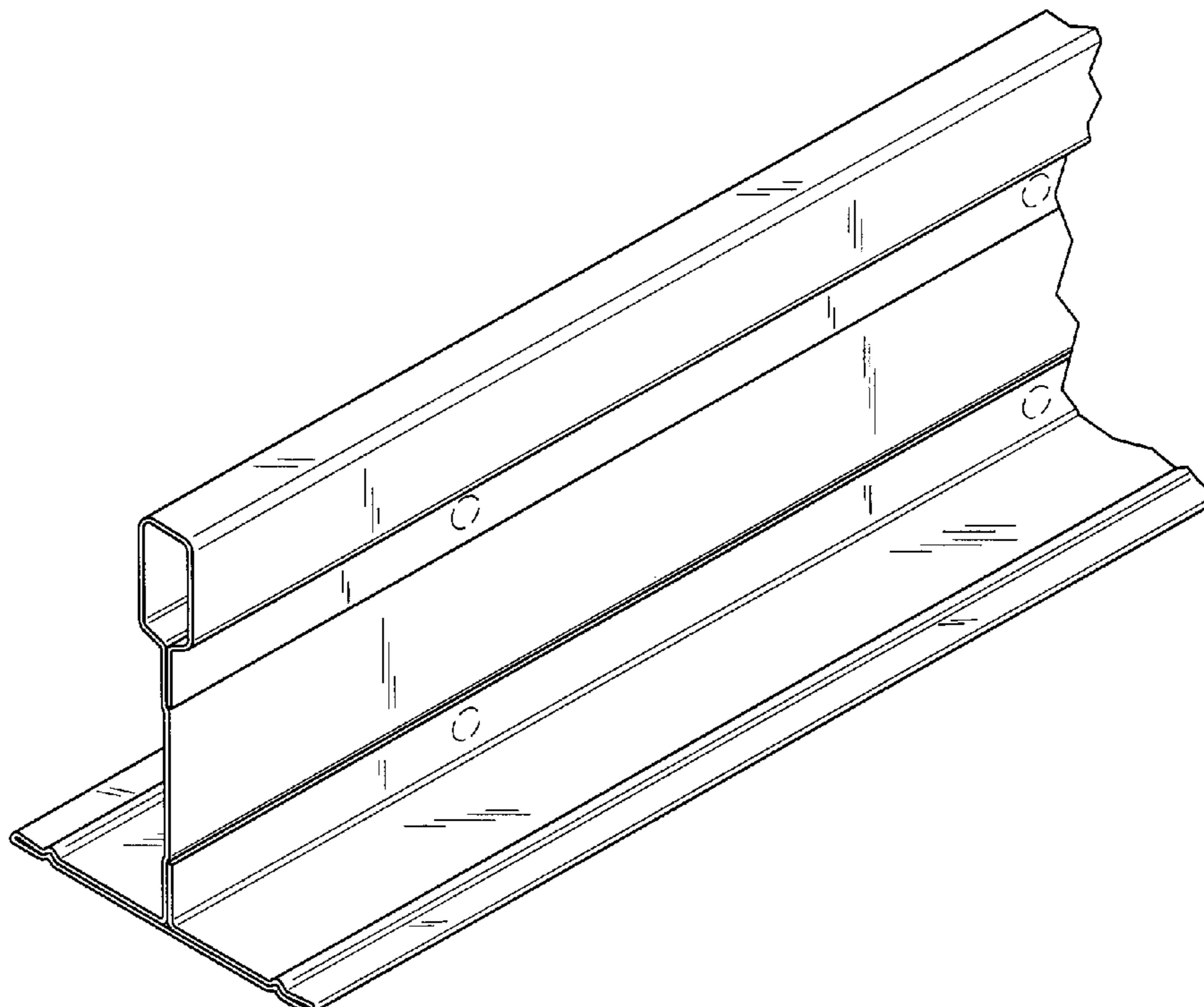


FIG. 1

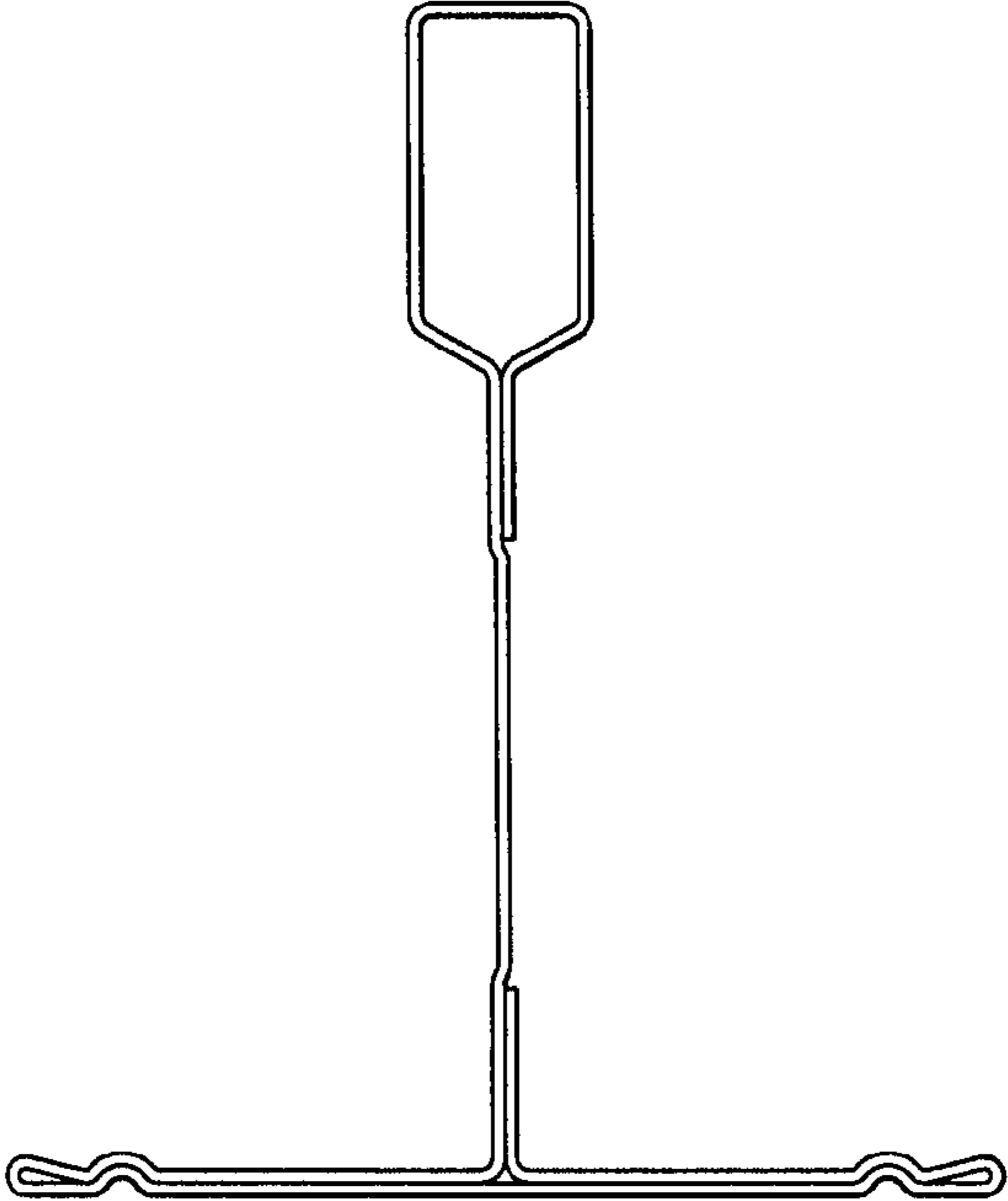
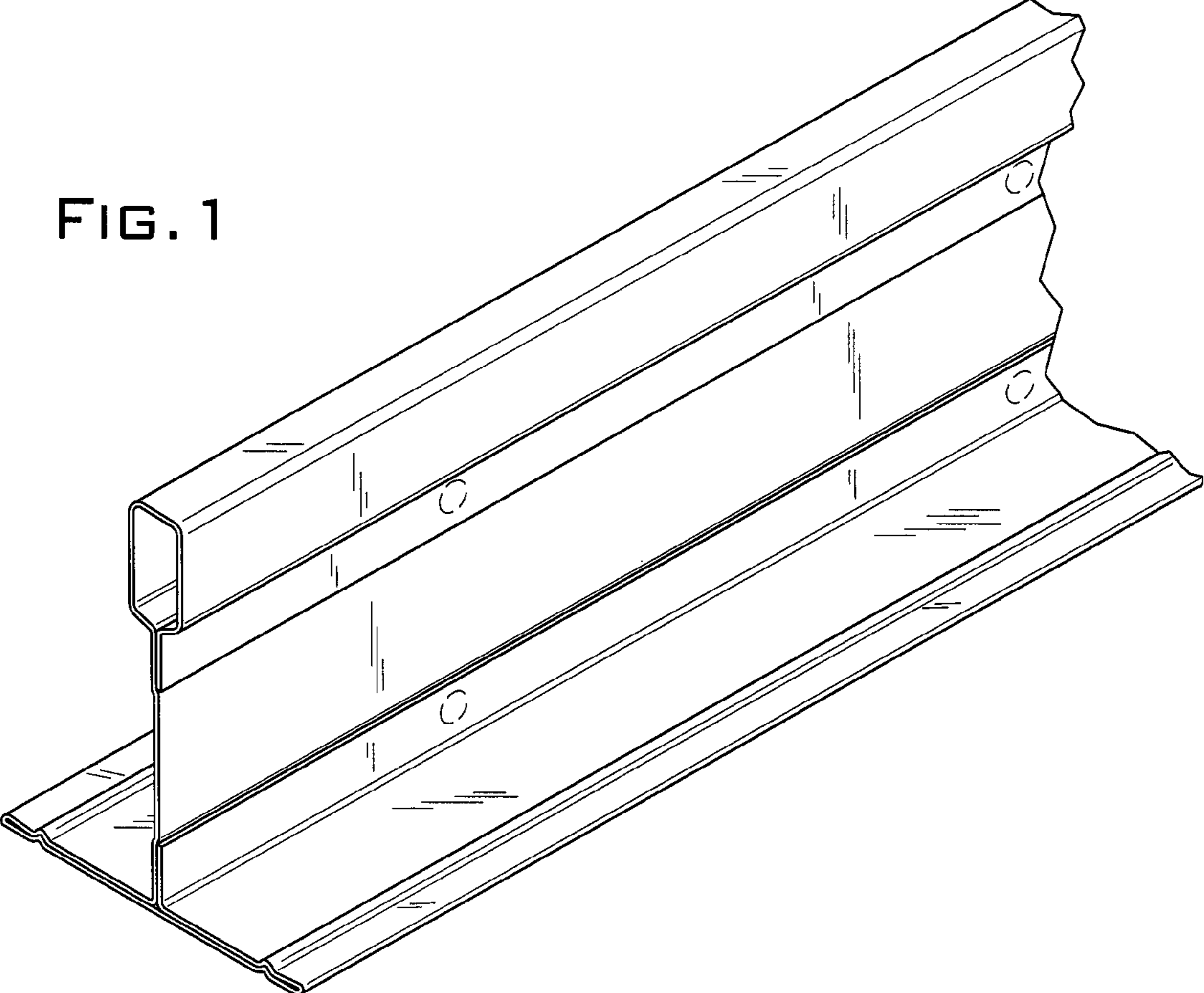


FIG. 2

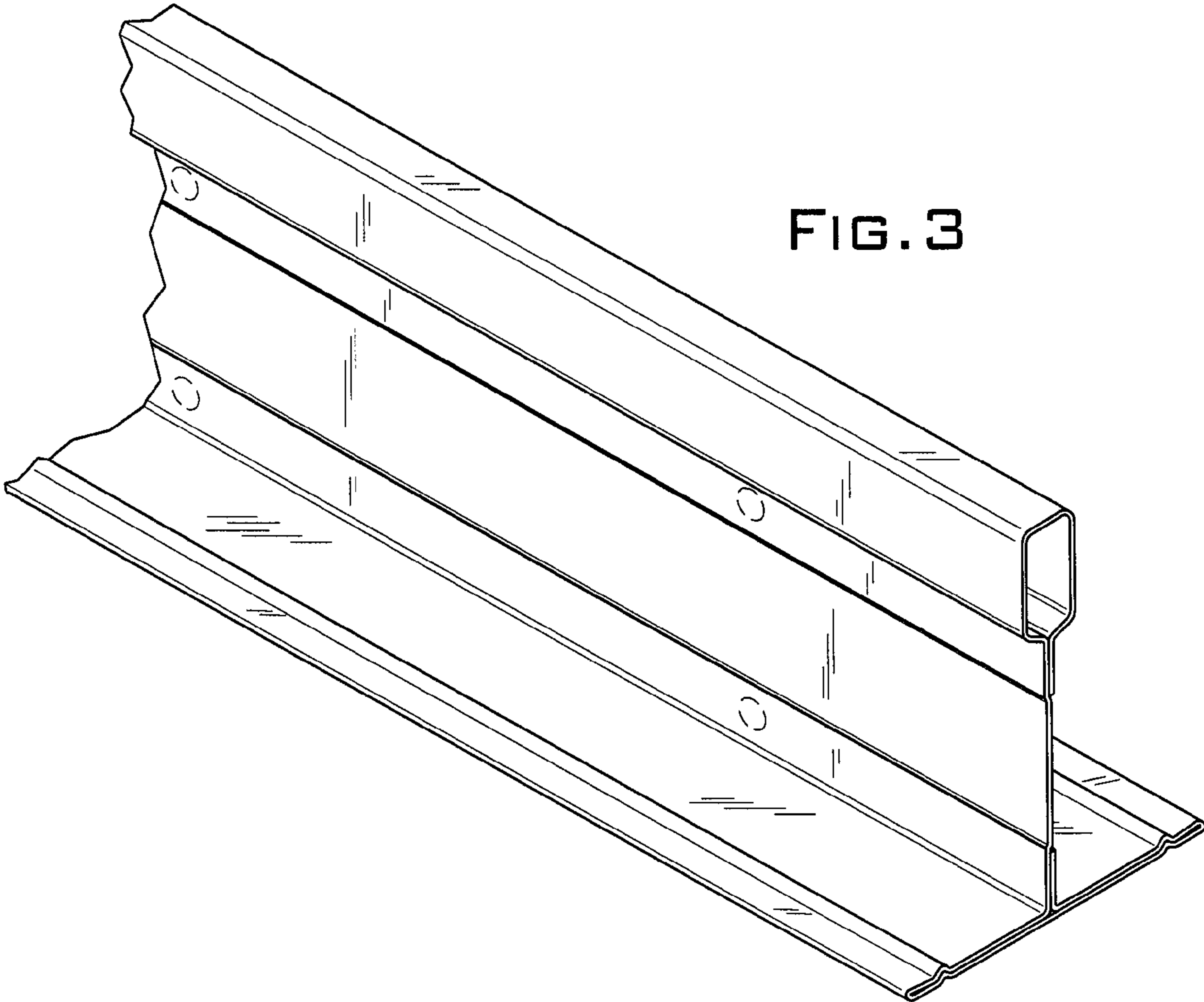


FIG. 3

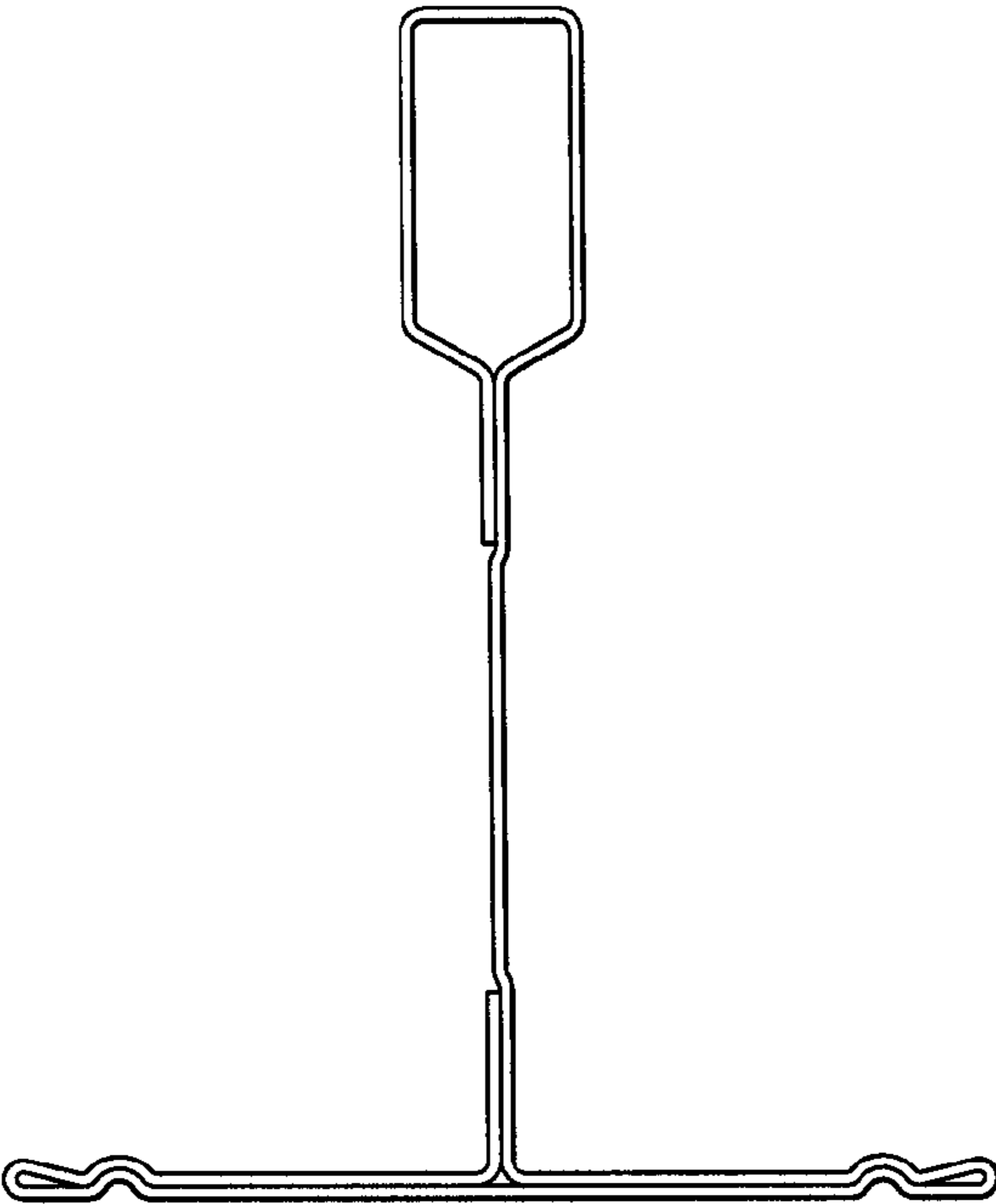


FIG. 4