



US00D577824S

(12) **United States Design Patent**
Thomssen et al.

(10) **Patent No.:** **US D577,824 S**

(45) **Date of Patent:** **** Sep. 30, 2008**

(54) **DISPOSABLE DENTAL HANDPIECE**

(75) Inventors: **Eli Thomssen**, Kalamazoo, MI (US);
David Murphy, Ostego, MI (US);
Clayton Waldorf, Richland, MI (US);
Dirk Schipper, Kalamazoo, MI (US);
Kevin Turner, Highland Village, TX (US)

(73) Assignee: **Axenic Dental Inc.**, Kalamazoo, MI (US)

(**) Term: **14 Years**

(21) Appl. No.: **29/296,705**

(22) Filed: **Oct. 25, 2007**

Related U.S. Application Data

(62) Division of application No. 29/277,333, filed on Feb. 21, 2007, now abandoned.

(51) **LOC (8) Cl.** **24-03**

(52) **U.S. Cl.** **D24/152**

(58) **Field of Classification Search** D24/152,
D24/154, 146, 133; 433/3, 141, 114, 119,
433/118, 321, 322; 604/1

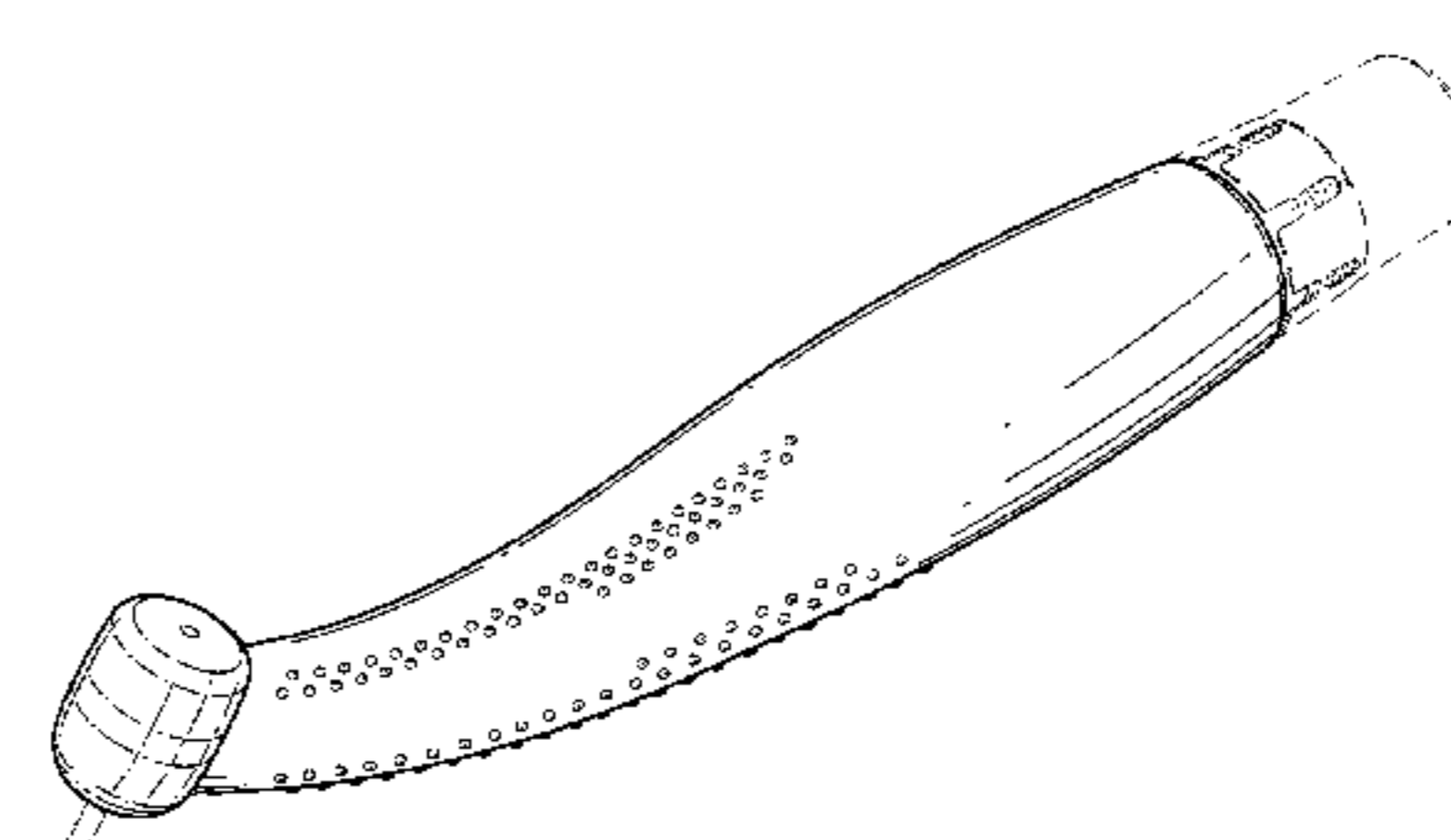
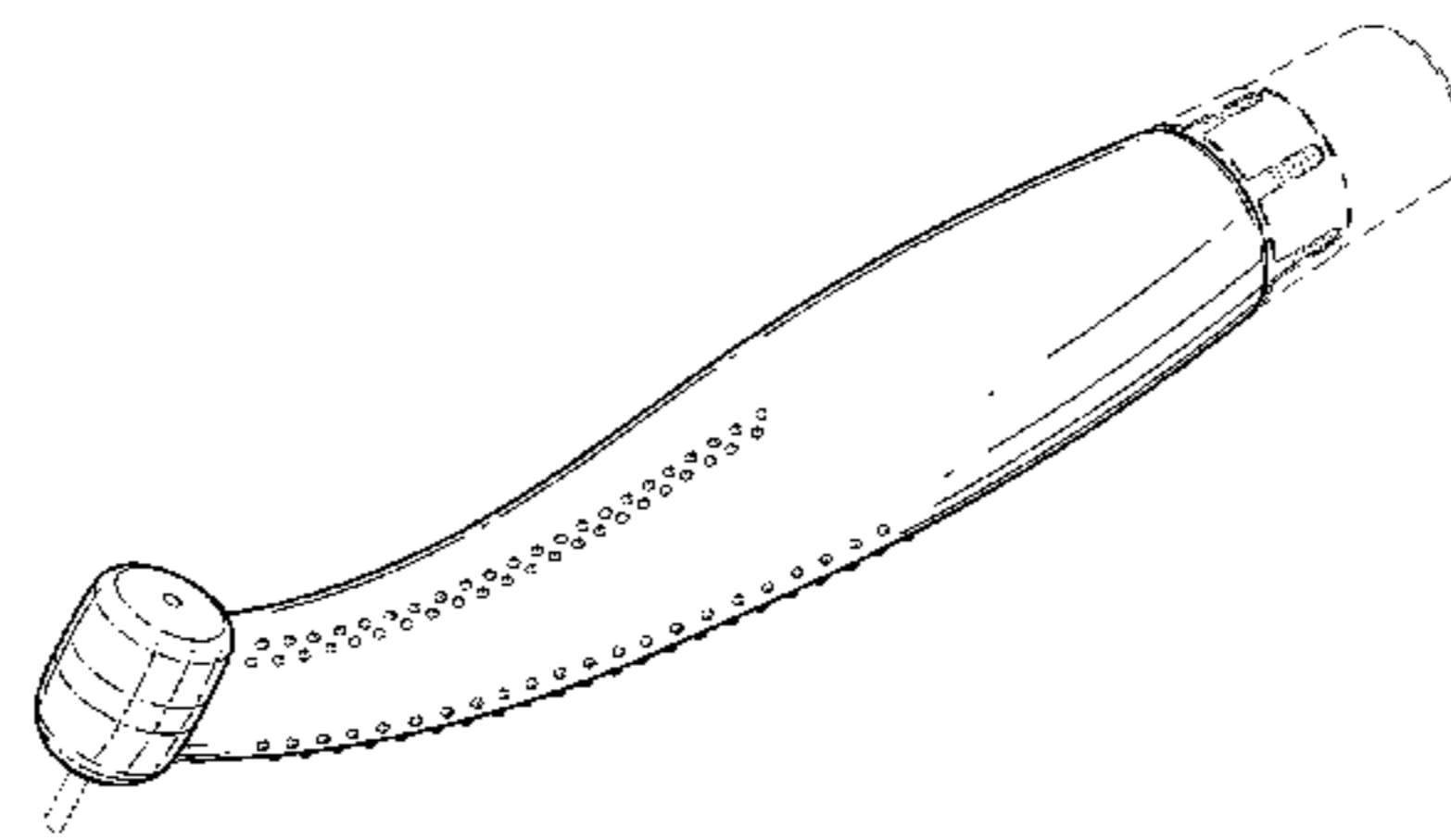
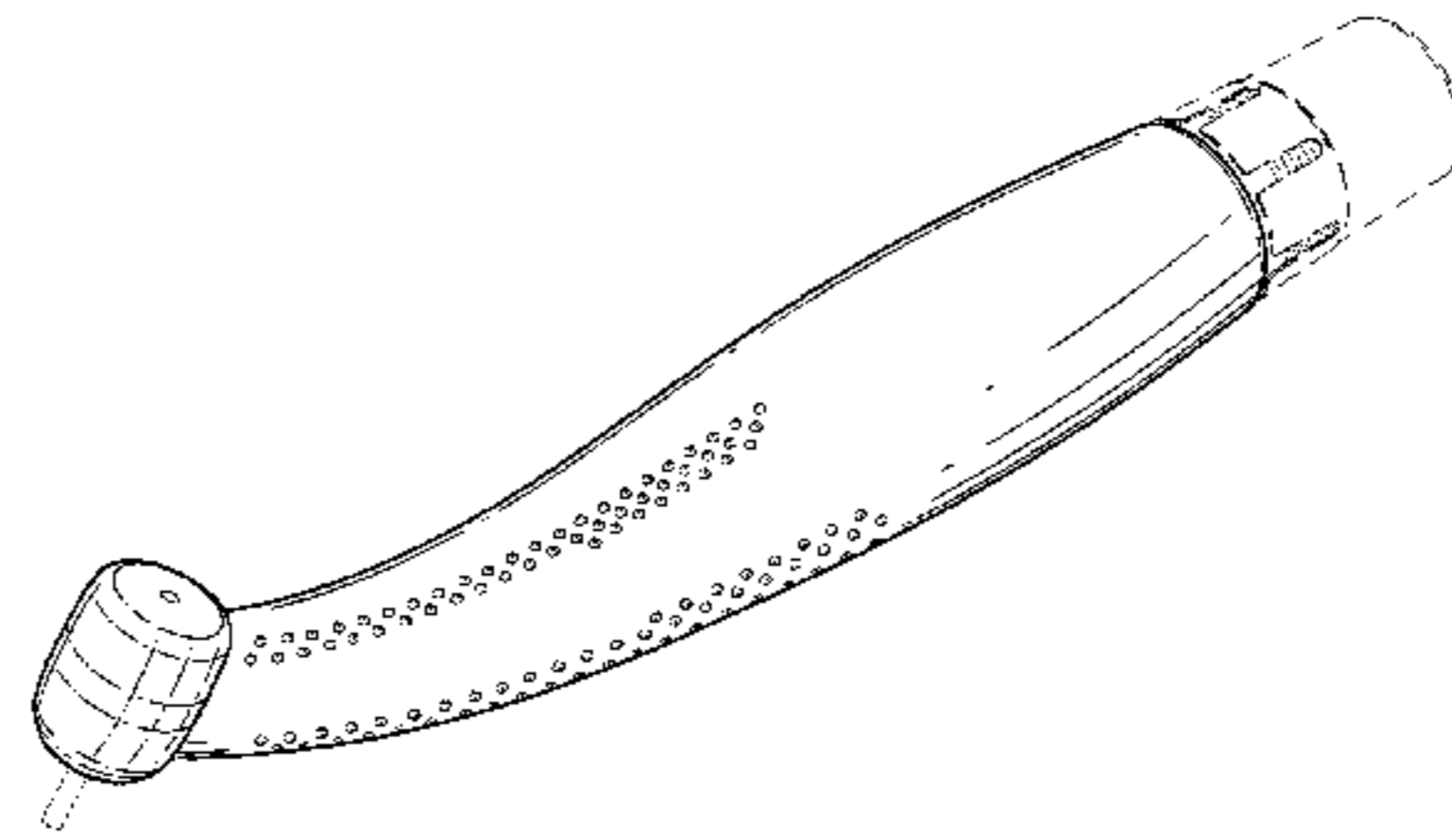
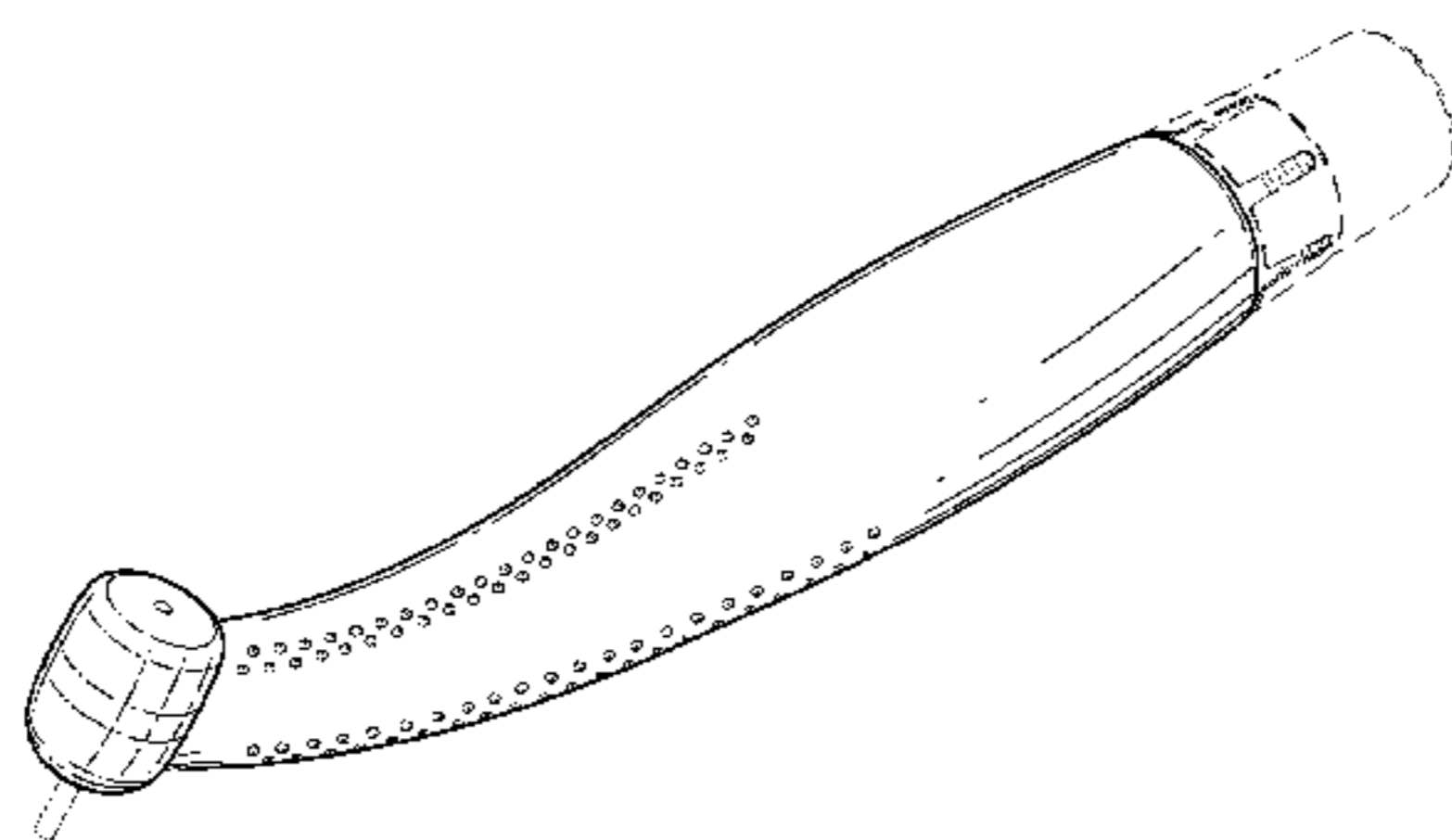
See application file for complete search history.

(56) **References Cited**

U.S. PATENT DOCUMENTS

D110,936 S	8/1938	Wiseman
D121,506 S	7/1940	Davis
D162,002 S	2/1951	Brown
3,120,705 A	2/1964	Hoffmeister et al.
D219,979 S	2/1971	Coss
3,893,242 A	7/1975	Lieb et al.
D239,390 S	3/1976	Webb
D241,550 S	9/1976	Morin
4,014,099 A	3/1977	Bailey
D251,304 S	3/1979	Leonard
D254,570 S	3/1980	McDonald
D255,929 S	7/1980	Austin, Jr.
D255,930 S	7/1980	Nilles et al.

D257,284 S	10/1980	Leonard
4,249,896 A	2/1981	Kerfoot
D261,032 S	9/1981	Marucci et al.
D261,301 S	10/1981	Marucci et al.
D263,877 S	4/1982	Podszus et al.
D264,876 S	6/1982	Seid
D267,036 S	11/1982	Podszus et al.
4,370,132 A	1/1983	Wohlgemuth
D269,122 S	5/1983	Seeley
4,795,343 A	1/1989	Choisser
4,842,516 A	6/1989	Choisser
D305,935 S	2/1990	Straihammer et al.
4,941,828 A	7/1990	Kimura
4,978,297 A	12/1990	Vlock
5,007,831 A	4/1991	Bierbaum et al.
5,040,978 A	8/1991	Falcon et al.
5,096,421 A	3/1992	Seney
5,156,547 A	10/1992	Bailey
D335,347 S *	5/1993	McKeown D24/152
5,217,372 A	6/1993	Truocchio
5,231,973 A	8/1993	Dickie
5,263,606 A	11/1993	Dutt
5,308,242 A	5/1994	McLaughlin et al.
5,334,013 A	8/1994	Meller
5,348,473 A	9/1994	Kivlighan, Jr.
5,352,118 A	10/1994	Franetzki et al.
5,352,119 A	10/1994	Sakurai
5,374,189 A	12/1994	Mendoza
D355,971 S	2/1995	Meller
D356,866 S *	3/1995	Meller D24/152
5,538,425 A	7/1996	Reeves
D373,636 S	9/1996	Martin
5,562,446 A	10/1996	Matsui et al.
D378,235 S	2/1997	Mark
5,674,068 A	10/1997	Eibofner
5,681,409 A	10/1997	Lin et al.
D389,912 S	1/1998	Emerson et al.
5,733,120 A	3/1998	Yao et al.
5,772,436 A	6/1998	Matsui et al.
5,782,634 A	7/1998	Lingenhole et al.
5,797,743 A	8/1998	Bailey
5,807,108 A	9/1998	Schwenoha et al.
5,810,588 A	9/1998	Cohen
5,902,108 A	5/1999	Nakayama et al.
5,911,577 A	6/1999	Henrikson
5,921,777 A	7/1999	Dorman
5,924,206 A *	7/1999	Cote et al. D24/152
5,924,865 A	7/1999	Quinn
5,984,654 A	11/1999	Mendoza et al.



D425,988	S	5/2000	Frank	
D426,636	S	6/2000	Herring	
D427,311	S	6/2000	Henrikson	
D427,682	S	7/2000	Novak	
6,099,309	A	8/2000	Cardarelli	
6,149,430	A	11/2000	Nemetz et al.	
6,186,784	B1	2/2001	Bailey	
6,305,935	B1	10/2001	Cardarelli	
6,315,560	B1	11/2001	Krouglicof et al.	
6,350,124	B1	2/2002	Wade	
D463,556	S	9/2002	Bareth et al.	
D465,279	S	11/2002	Etter et al.	
D472,969	S	4/2003	Wilden	
6,579,093	B2	6/2003	Bailey et al.	
6,638,068	B2	10/2003	Lingenhole et al.	
6,676,374	B2	1/2004	Hashimoto et al.	
D489,134	S	4/2004	Nakanishi	
6,716,028	B2	4/2004	Rahman et al.	
D495,799	S *	9/2004	Hirsch et al.	D24/152
6,821,119	B2	11/2004	Shortt et al.	
D499,486	S	12/2004	Kuhn et al.	
D504,949	S	5/2005	Kuhn et al.	
7,008,224	B1	3/2006	Browning et al.	
D533,276	S	12/2006	Nakanishi	
D556,323	S *	11/2007	Nakanishi	D24/152
2002/0119420	A1	8/2002	Bailey et al.	
2006/0121413	A1	6/2006	Turner	
2006/0183073	A1	8/2006	Browning et al.	
2006/0183074	A1	8/2006	Brennan	

FOREIGN PATENT DOCUMENTS

CH	686113	A5	1/1996
EP	0925762	A1	6/1999
GB	1023481		5/1985
GB	2071913		5/1998
JP	1211559		8/1989
WO	WO 91/15160		10/1991
WO	WO 95/12361		5/1995
WO	WO 02/076308	A2	10/2002
WO	WO 2004-082501	A2	9/2004

OTHER PUBLICATIONS

Supplementary European Search Report to European Application No. 04 72 0427, dated Apr. 5, 2007 listing documents cited.
 International Search Report Accompanying WO 91/15160.
 International Search Report Accompanying WO 95/12361.
 KaVo ELECTROtorque plus Brushless Electric Motor System Brochure in 17 pages, KaVo America Corporation, Lake Zurich, IL.
 Dentsply Professional Midwest Stylus Brochure in 2 pages, 2005 Dentsply International, Des Plaines, IL.
 Dentsply Professional Midwest System Brochure in 8 pages, 2002 Dentsply International, Des Plaines, IL.
 Dental EZ Group Star Dental Solara Series Brochure in 6 pages, 2003 Dental EZ Group, Malvern, PA.
 The Dental Company Sirona Hanpieces Brochure in 14 pages, Sirona Dental Systems LLC, Charlotte, NC.
 Dental EZ Group StarDental 430 Series LubeFree High-Speed Handpiece System Brochure in 4 pages, 2005 Dental EZ Group, Lancaster, PA.
 Office Action dated Jul. 20, 2007 for Japanese Design Application No. 2007-7115.

* cited by examiner

Primary Examiner—Charles A Rademaker
 (74) Attorney, Agent, or Firm—Knobbe, Martens, Olson & Bear, LLP

(57) CLAIM

The ornamental design for a disposable dental handpiece, as shown and described.

DESCRIPTION

FIG. 1 is a top, front and left side perspective view of a disposable dental handpiece showing our new design;
 FIG. 2 is a right side elevation thereof;
 FIG. 3 is a left side elevation thereof;
 FIG. 4 is a front elevation thereof;
 FIG. 5 is a rear elevation thereof;
 FIG. 6 is a top plan view thereof;
 FIG. 7 is a bottom plan view thereof;
 FIG. 8 is a bottom, rear and right side perspective view thereof;
 FIG. 9 is a top, front and left side perspective view of a modified embodiment of the design shown in FIGS. 1 through 8;
 FIG. 10 is a right side elevation thereof;
 FIG. 11 is a left side elevation thereof;
 FIG. 12 is a front elevation thereof;
 FIG. 13 is a rear elevation thereof;
 FIG. 14 is a top plan view thereof;
 FIG. 15 is a bottom plan view thereof;
 FIG. 16 is a bottom, rear and right side perspective view thereof;
 FIG. 17 is a top, front and left side perspective view of a second modified embodiment of the design shown in FIGS. 1 through 8;
 FIG. 18 is a right side elevation thereof;
 FIG. 19 is a left side elevation thereof;
 FIG. 20 is a front elevation thereof;
 FIG. 21 is a rear elevation thereof;
 FIG. 22 is a top plan view thereof;
 FIG. 23 is a bottom plan view thereof;
 FIG. 24 is a bottom, rear and right side perspective view thereof;
 FIG. 25 is a top, front and left side perspective view of a third modified embodiment of the design shown in FIGS. 1 through 8;
 FIG. 26 is a right side elevation thereof;
 FIG. 27 is a left side elevation thereof;
 FIG. 28 is a front elevation thereof;
 FIG. 29 is a rear elevation thereof;
 FIG. 30 is a top plan view thereof;
 FIG. 31 is a bottom plan view thereof; and,
 FIG. 32 is a bottom, rear and right side perspective view thereof.

The broken lines shown in the drawings are included for the purpose of illustrating environmental structure and form no part of the claimed design.

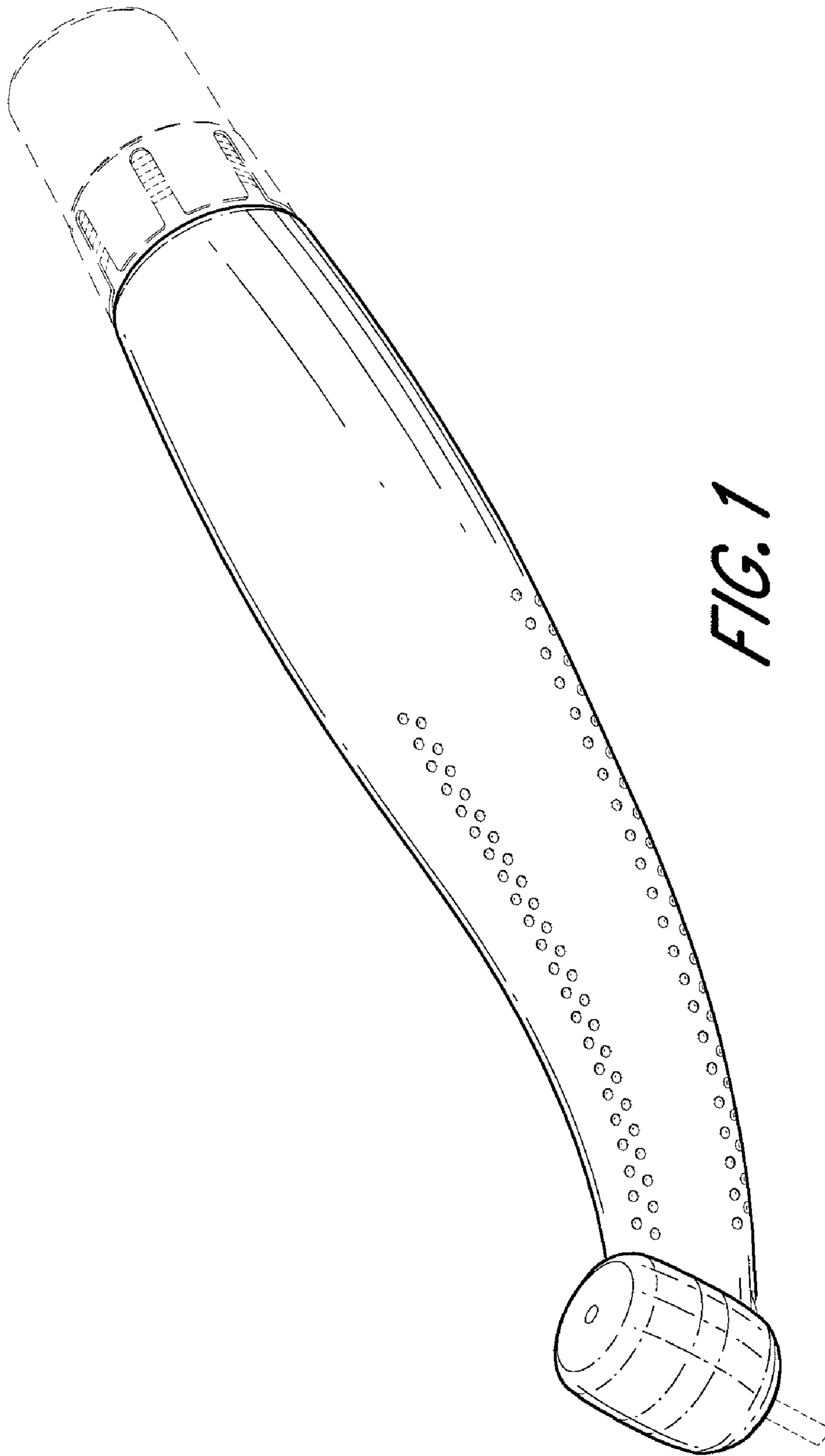


FIG. 1

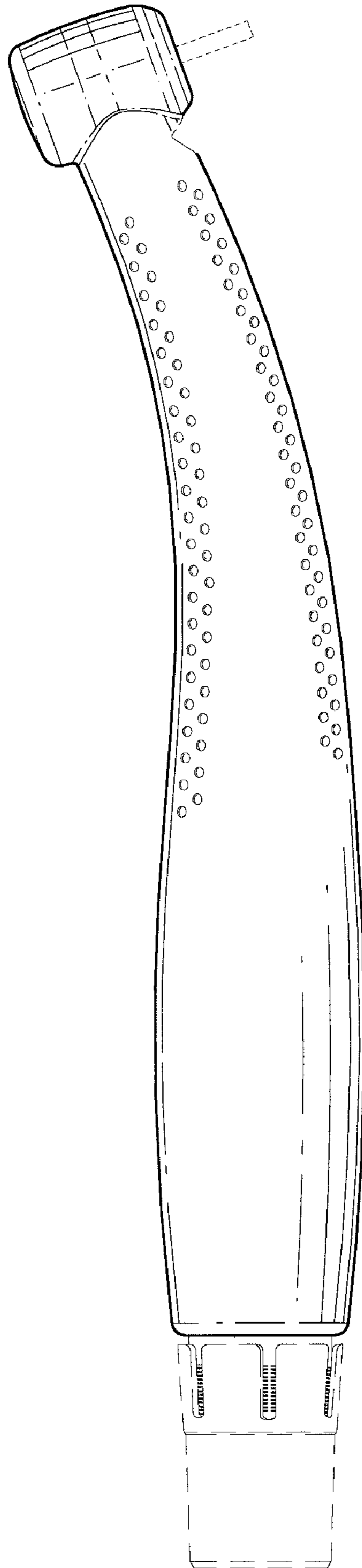


FIG. 2

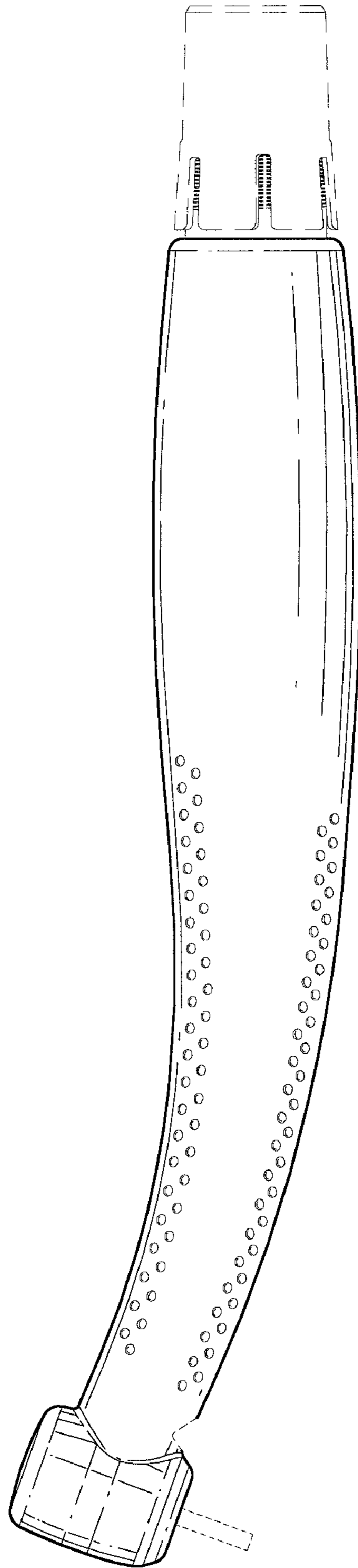


FIG. 3

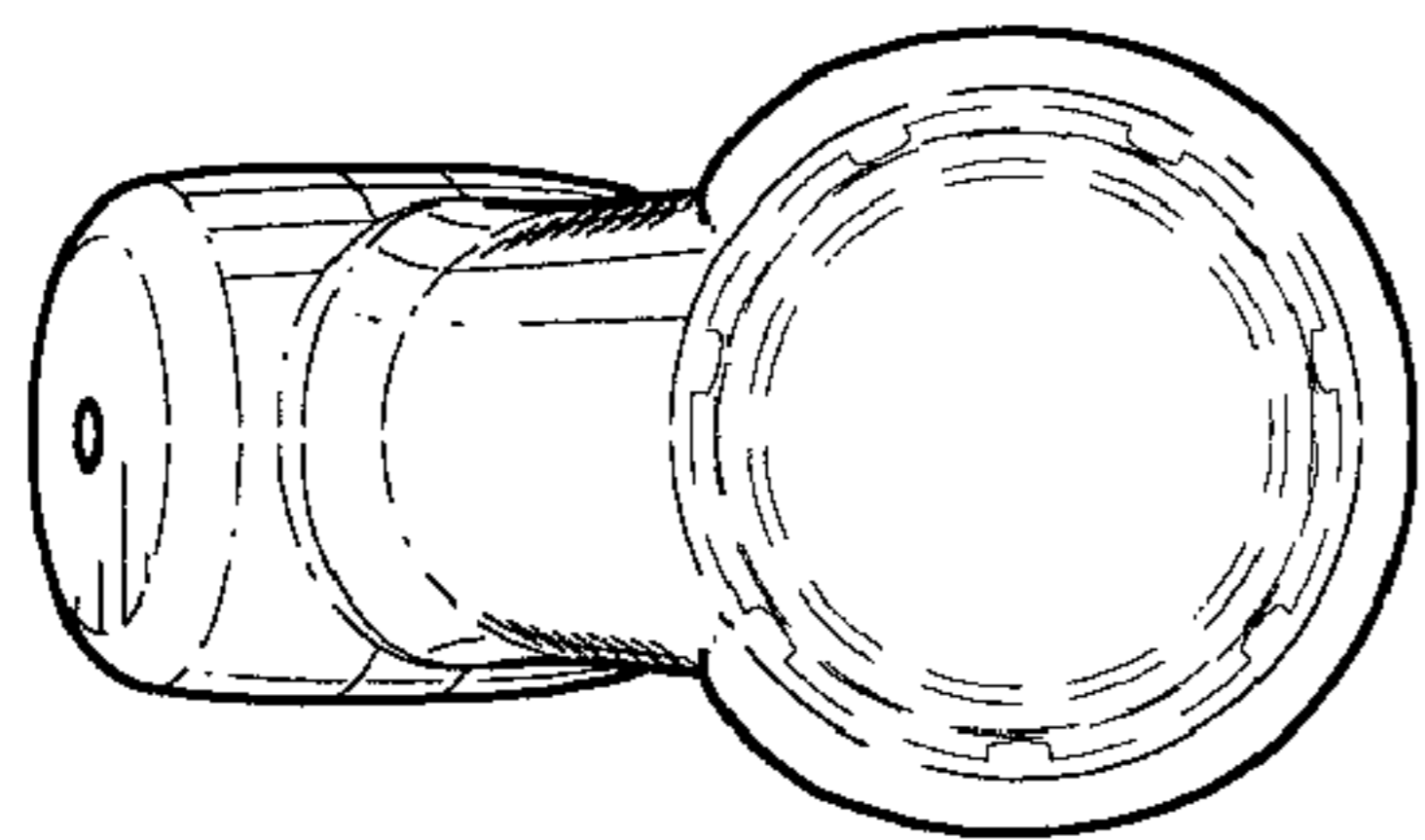


FIG. 5

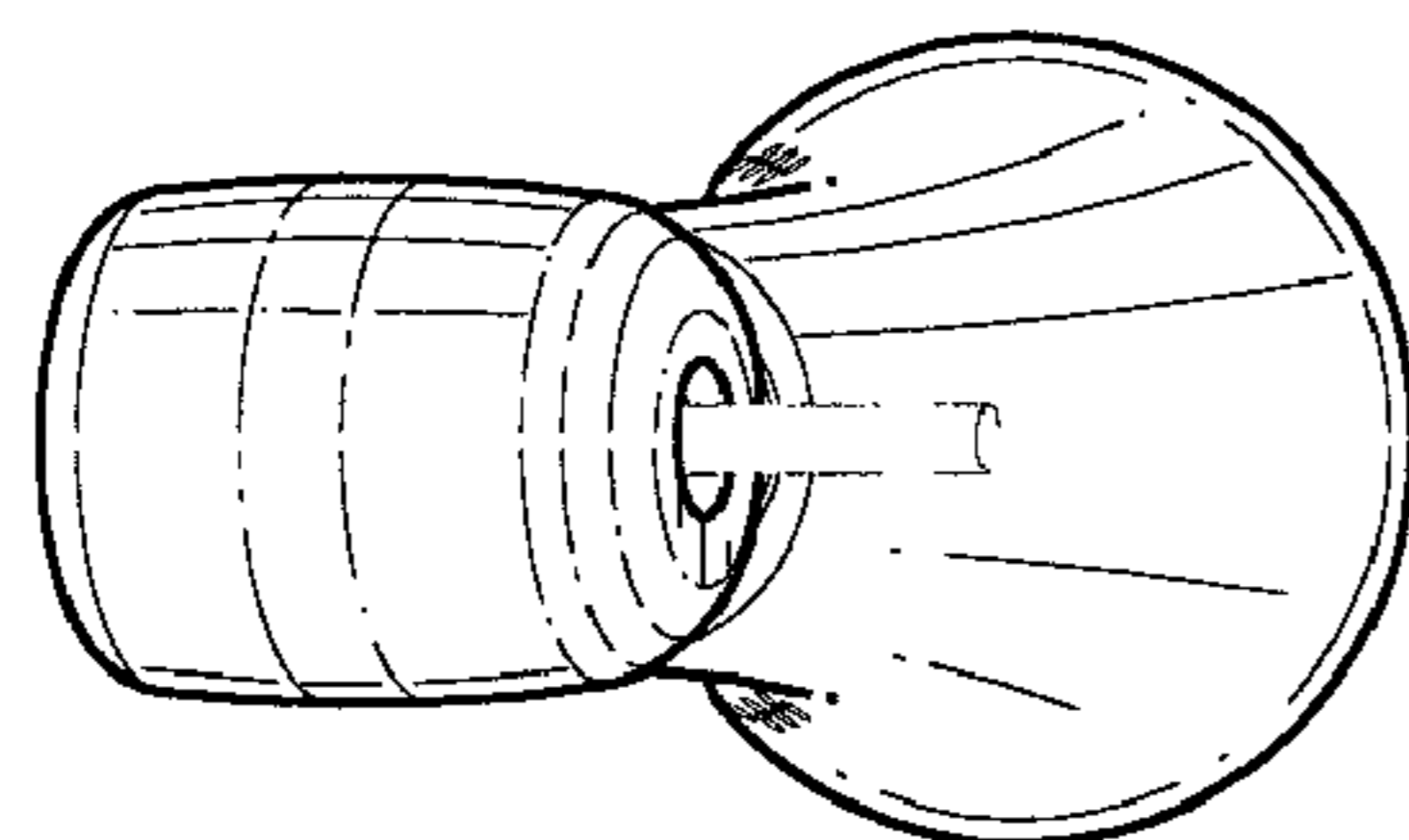


FIG. 4

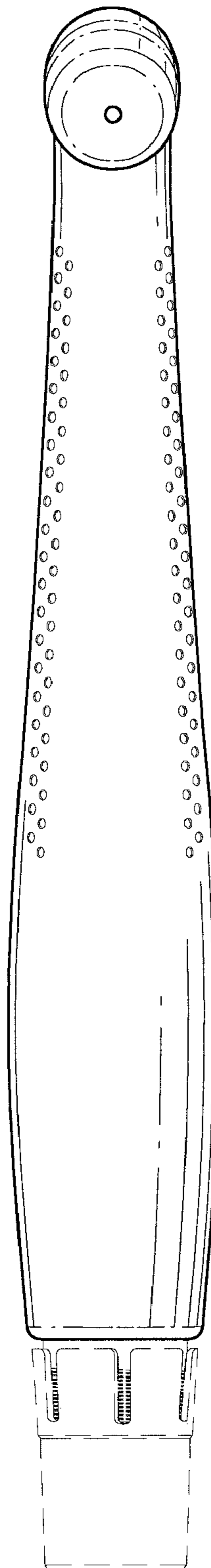


FIG. 6

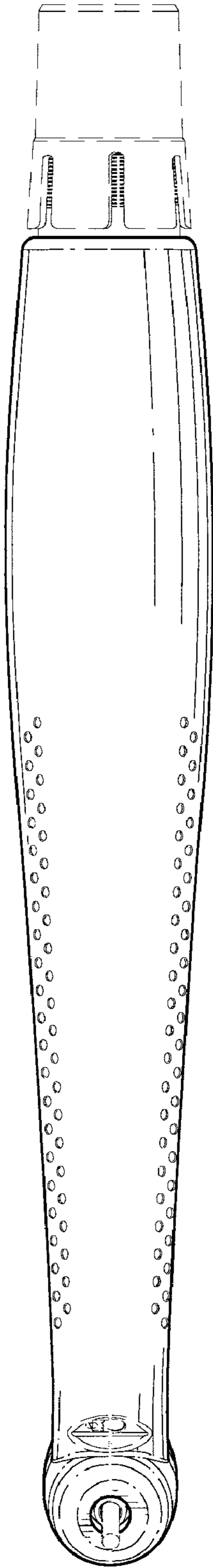


FIG. 7

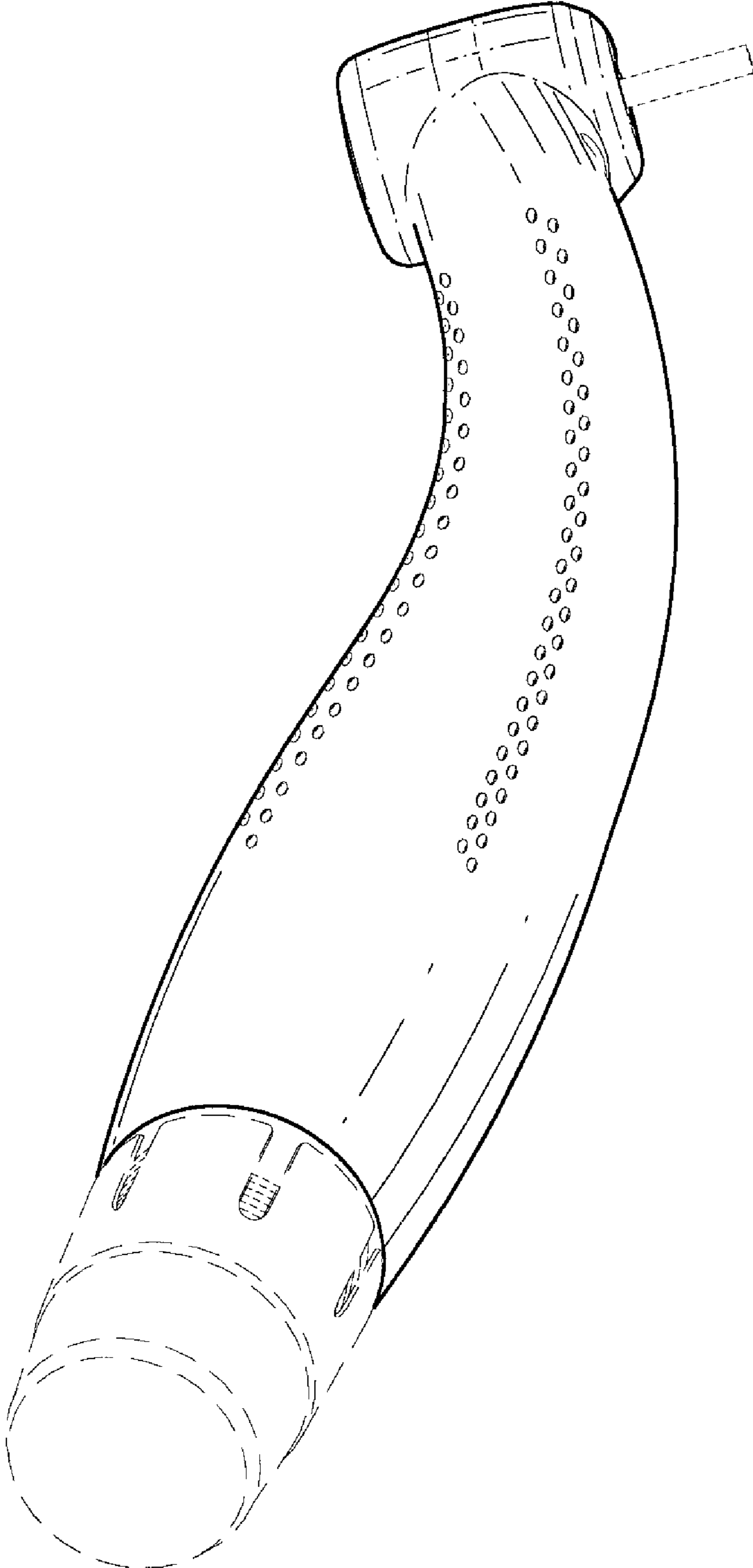


FIG. 8

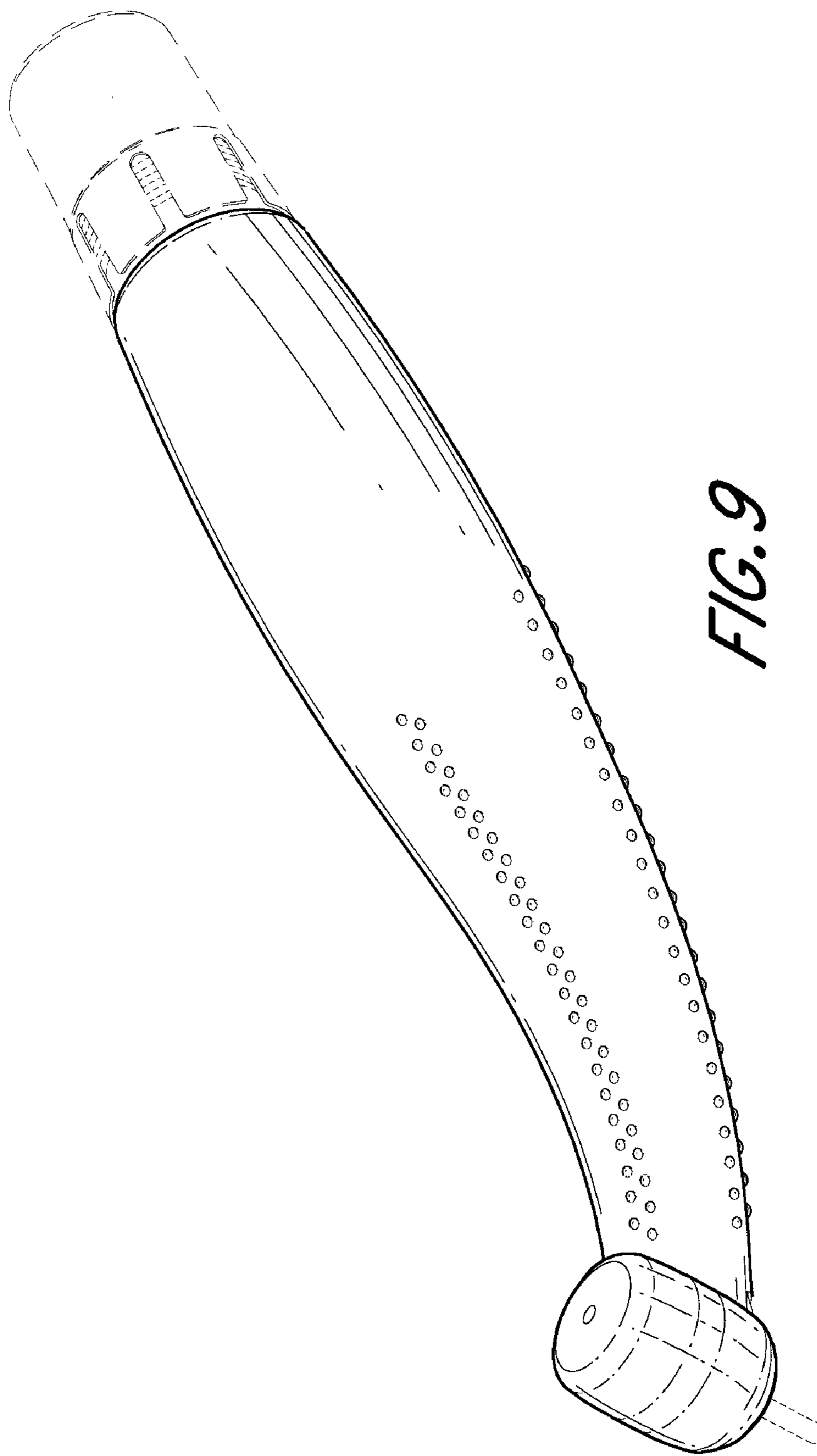


FIG. 9

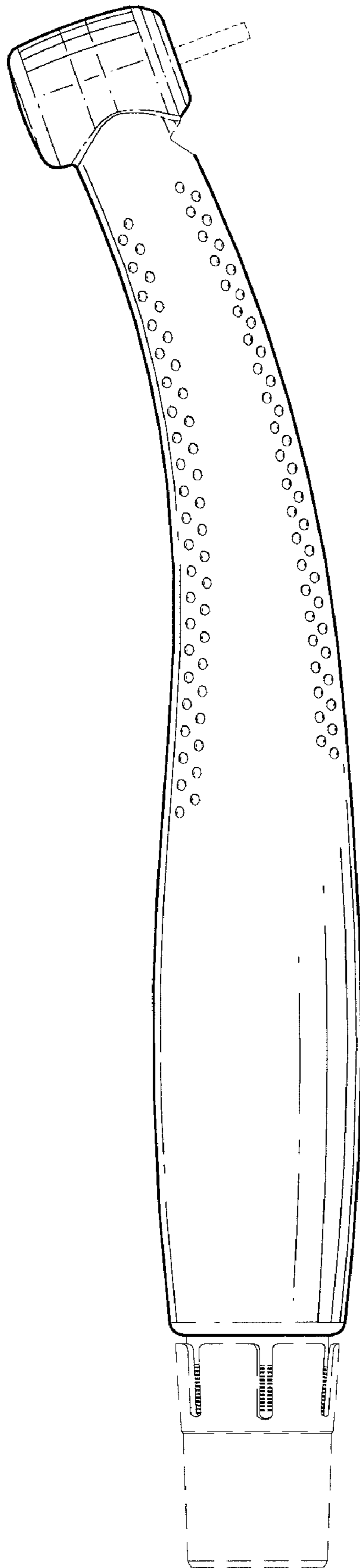


FIG. 10

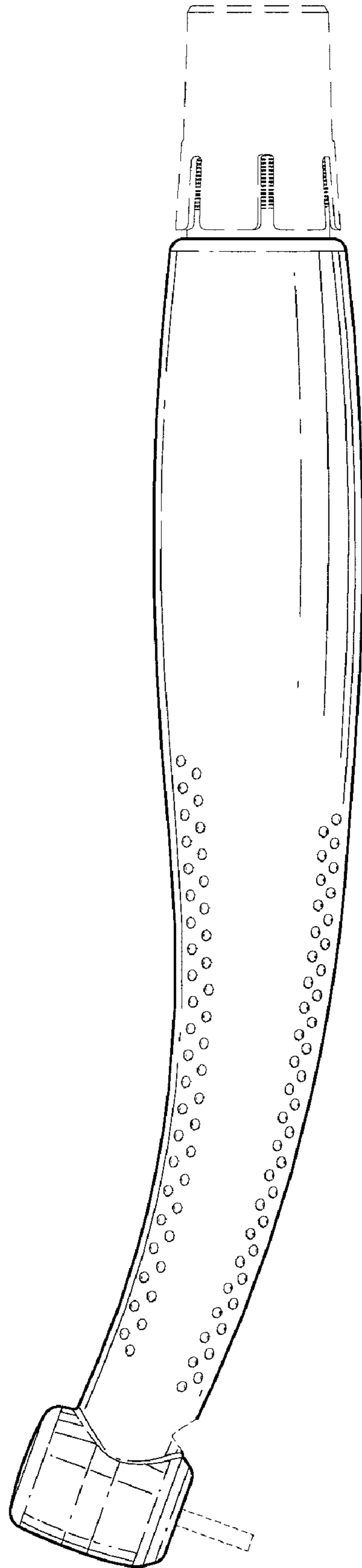


FIG. 11

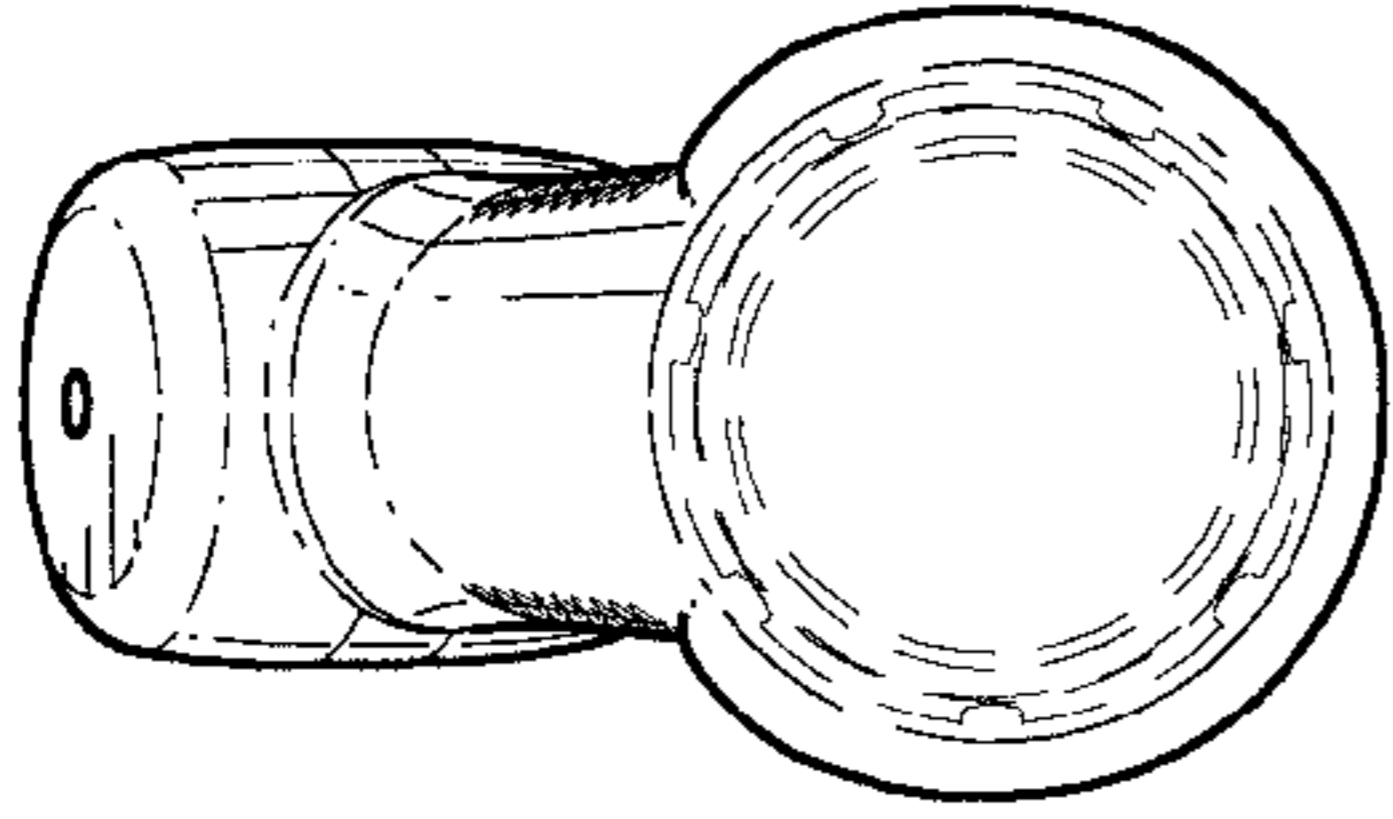


FIG. 12

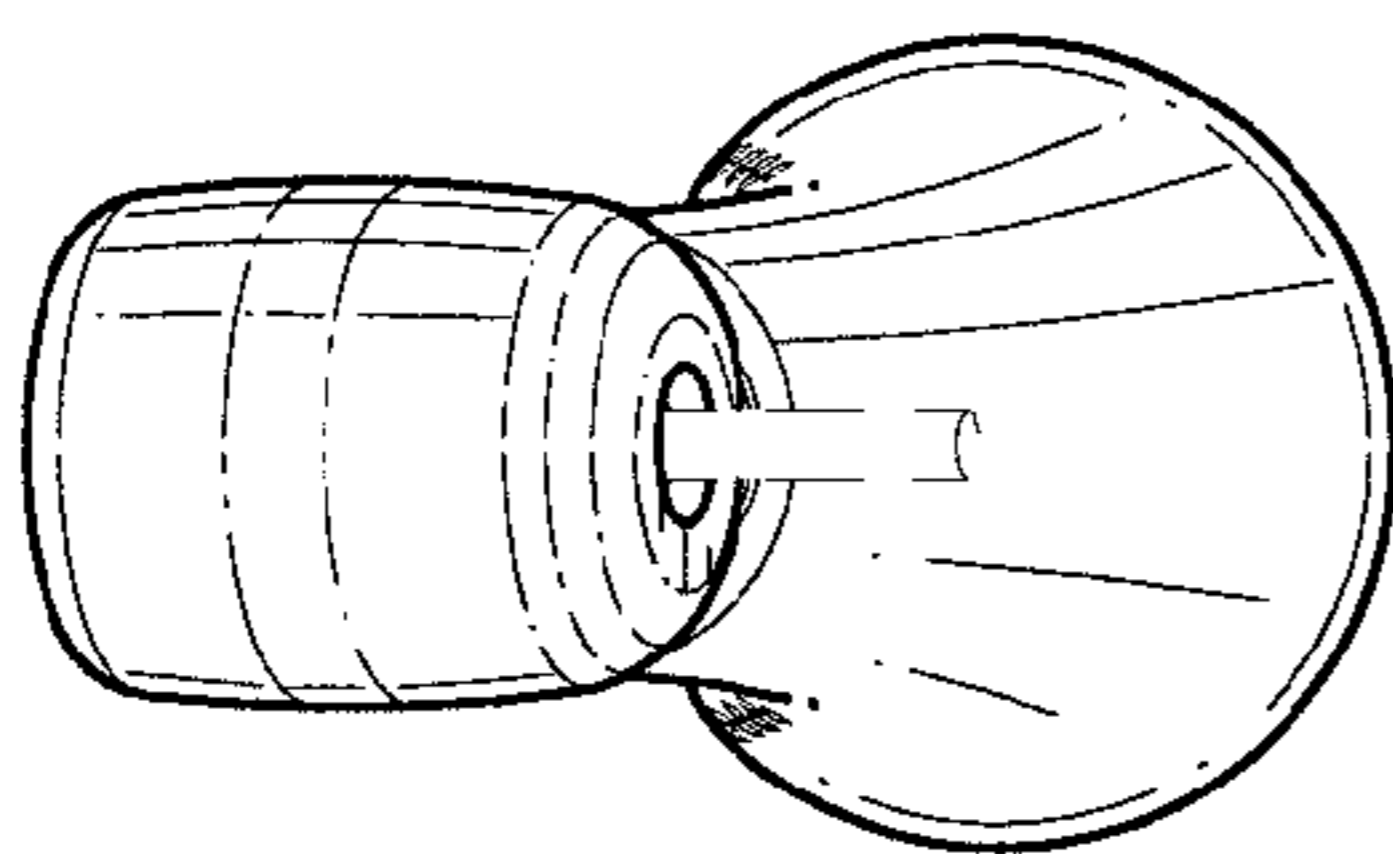


FIG. 13

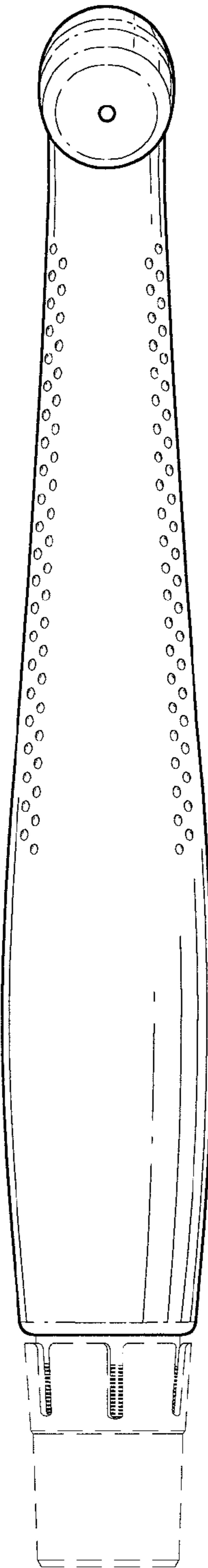


FIG. 14

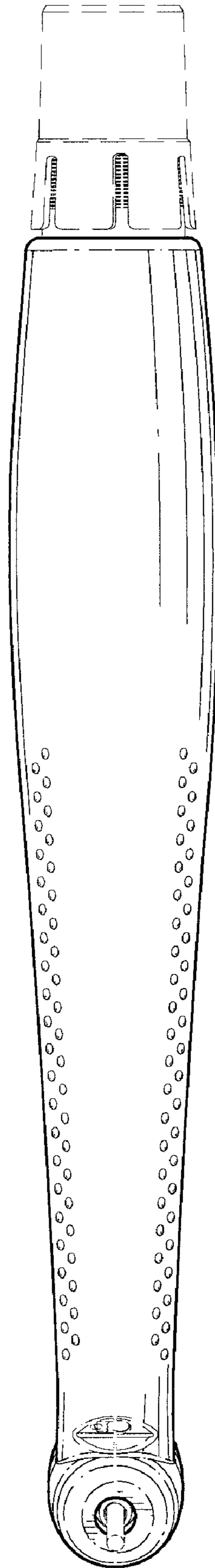


FIG. 15

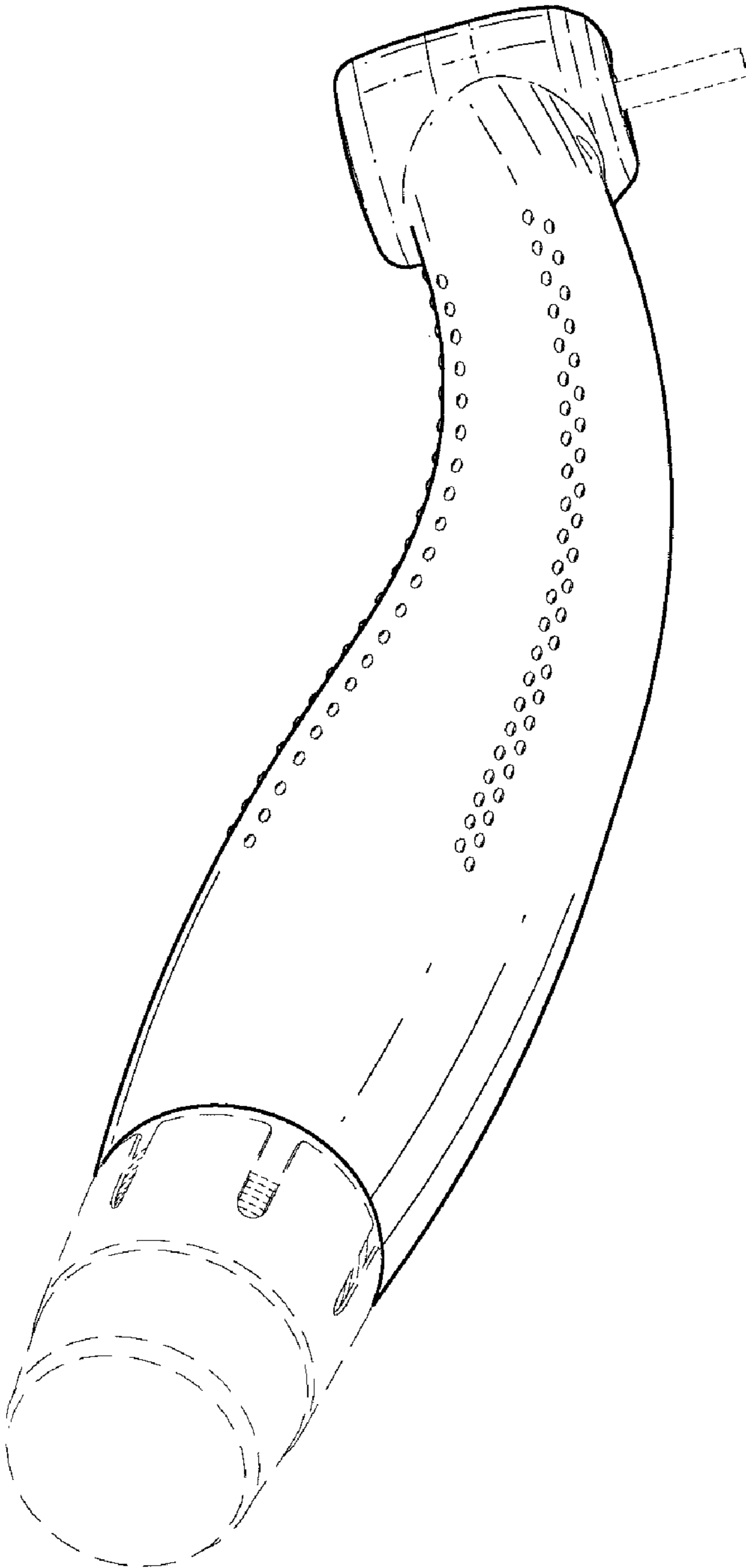


FIG. 16

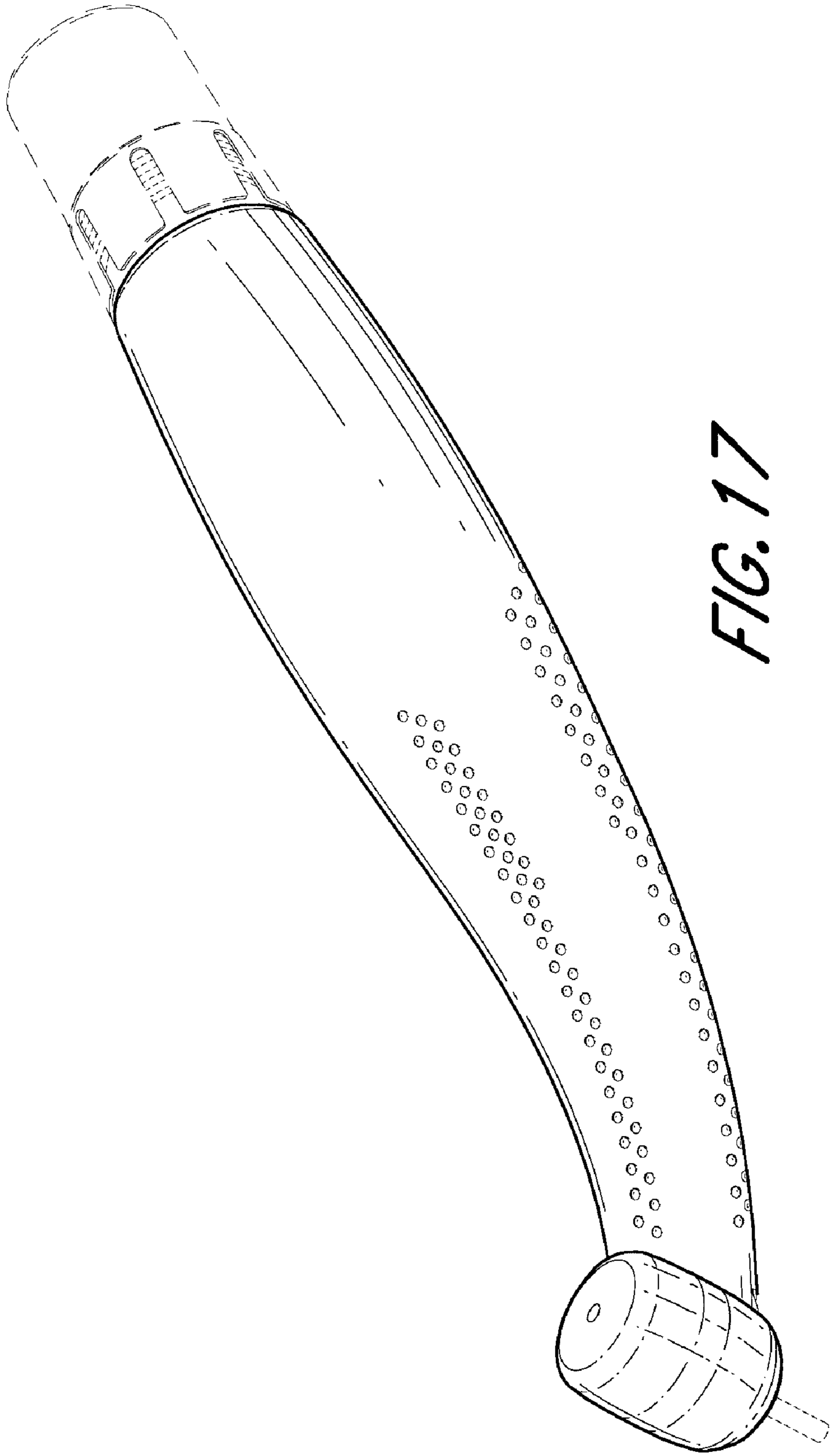


FIG. 17

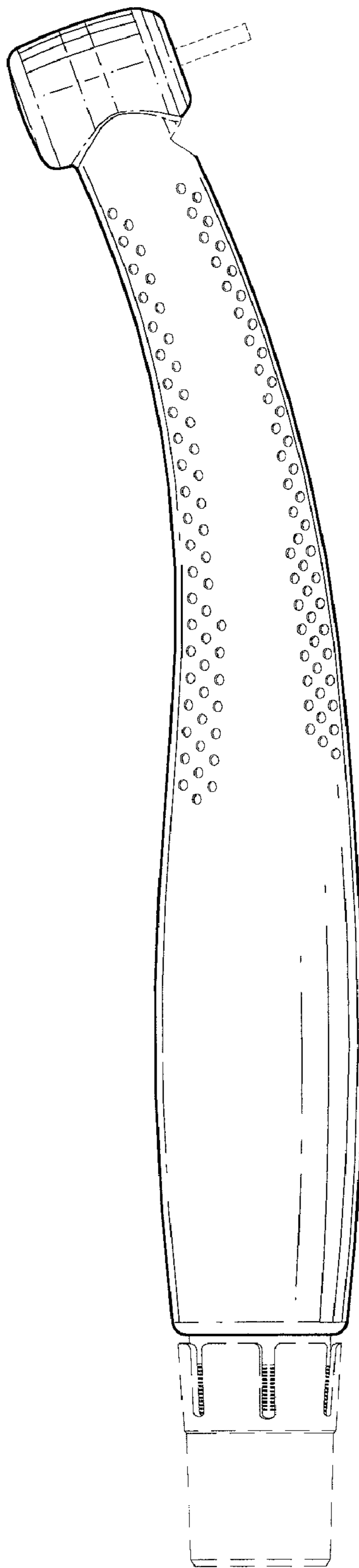


FIG. 18

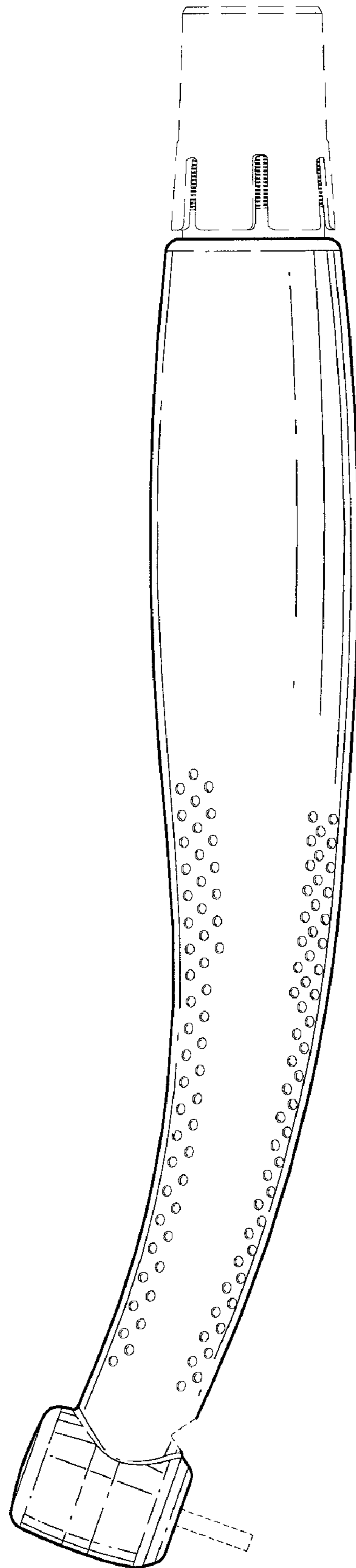


FIG. 19

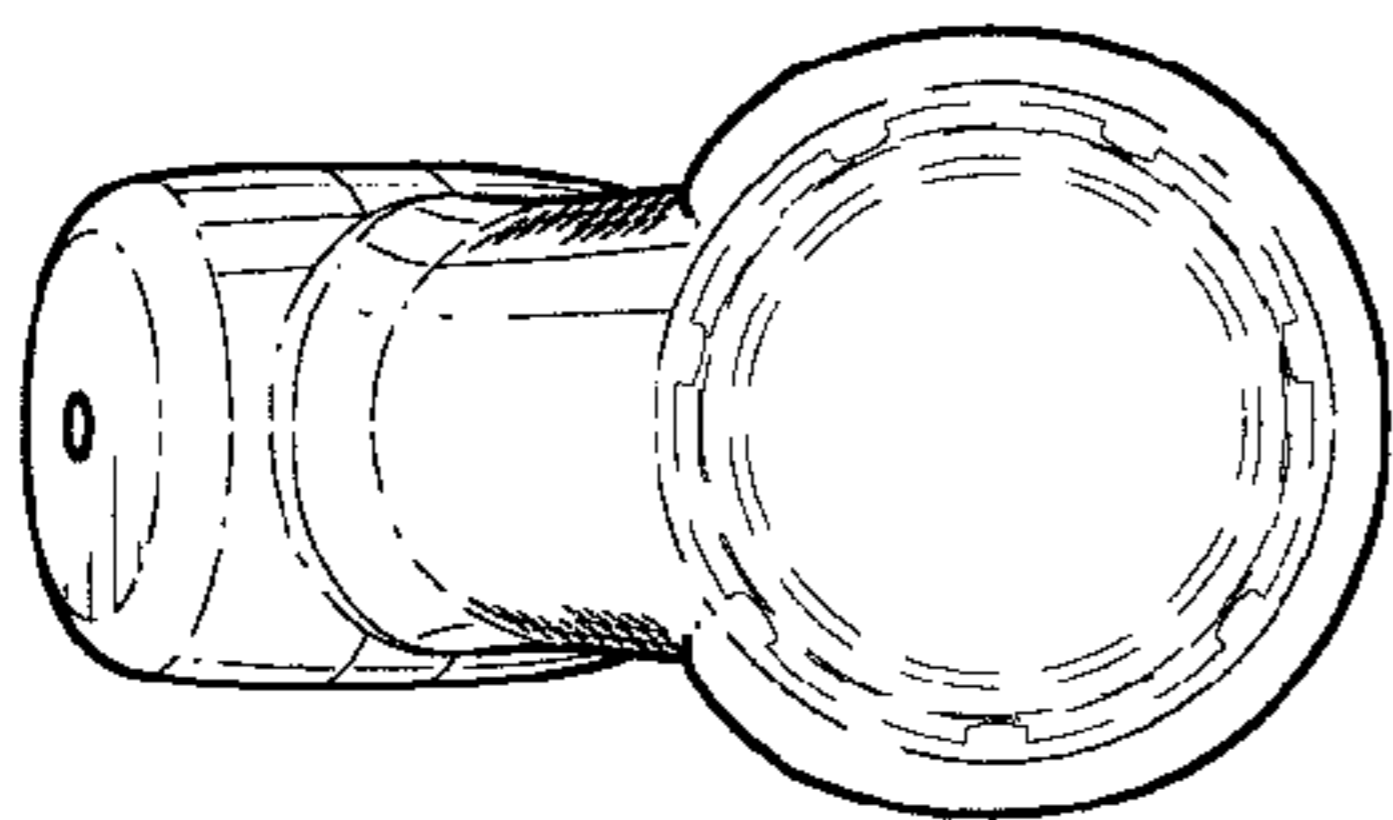


FIG. 21

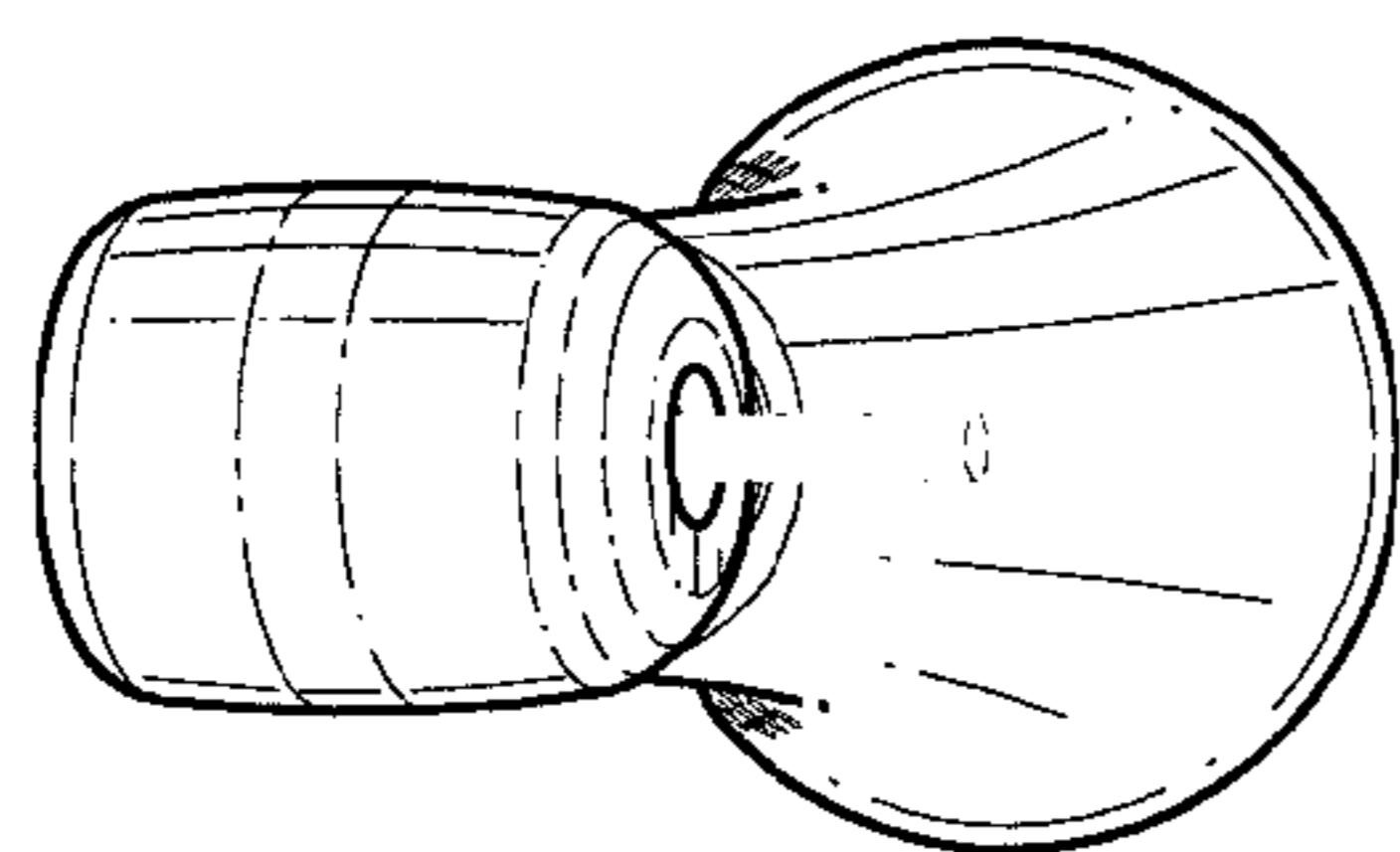


FIG. 20

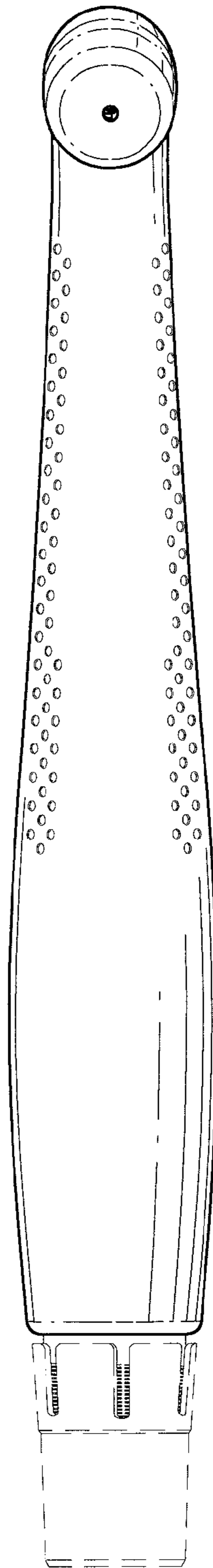


FIG. 22

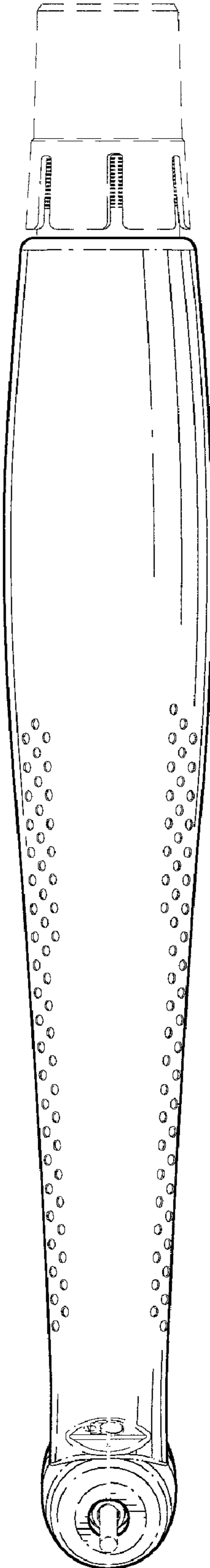


FIG. 23

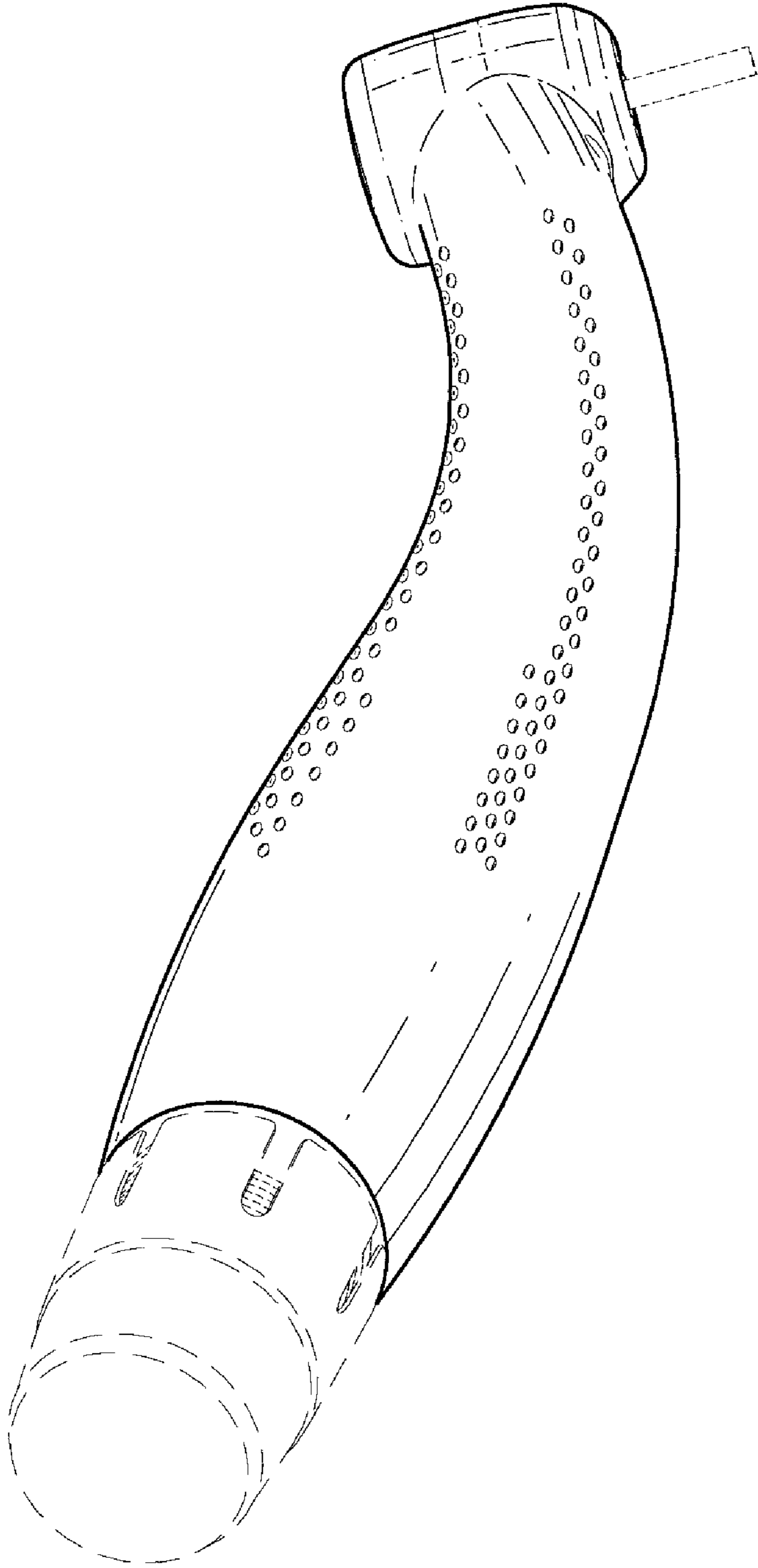


FIG. 24

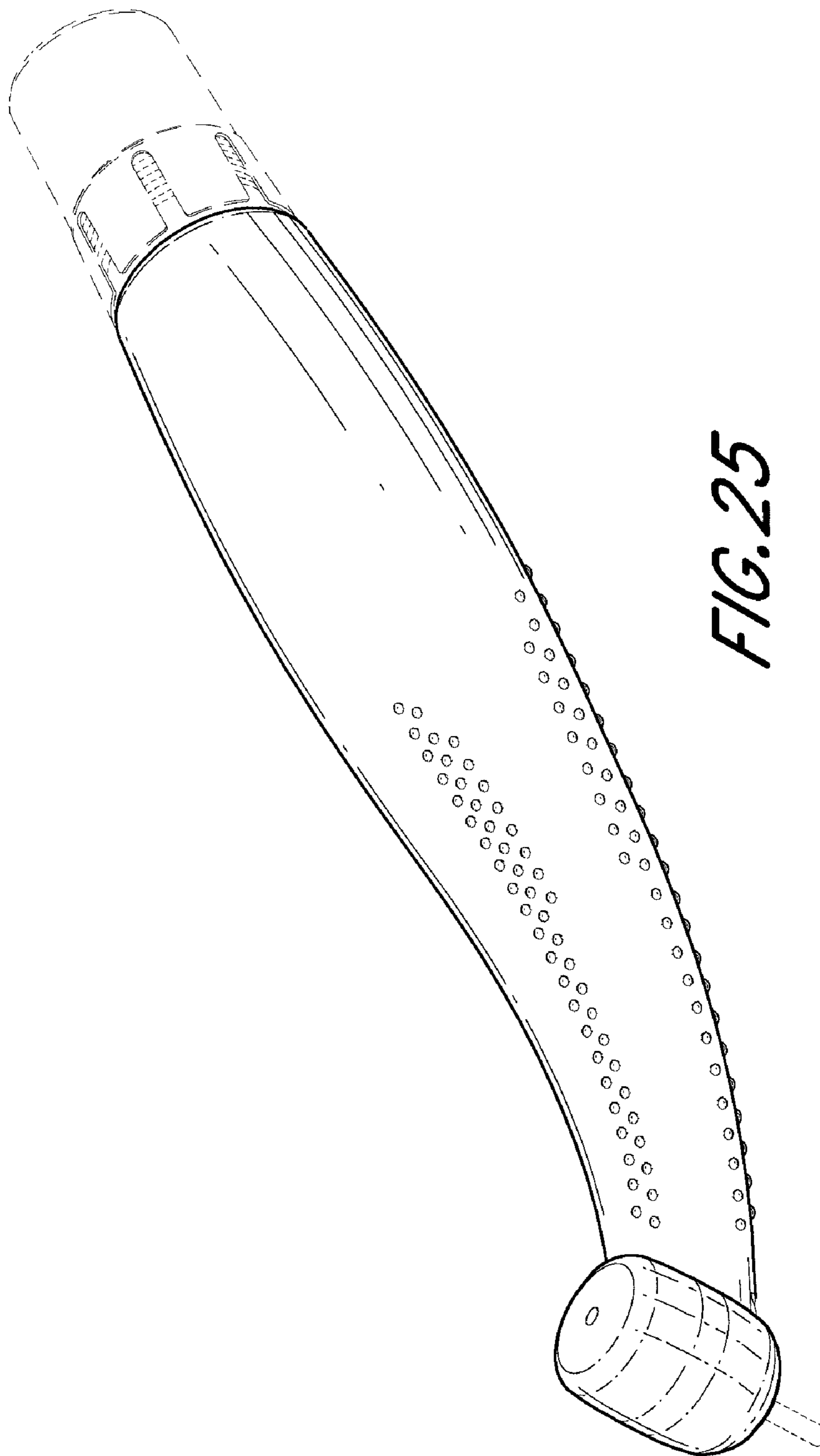


FIG. 25

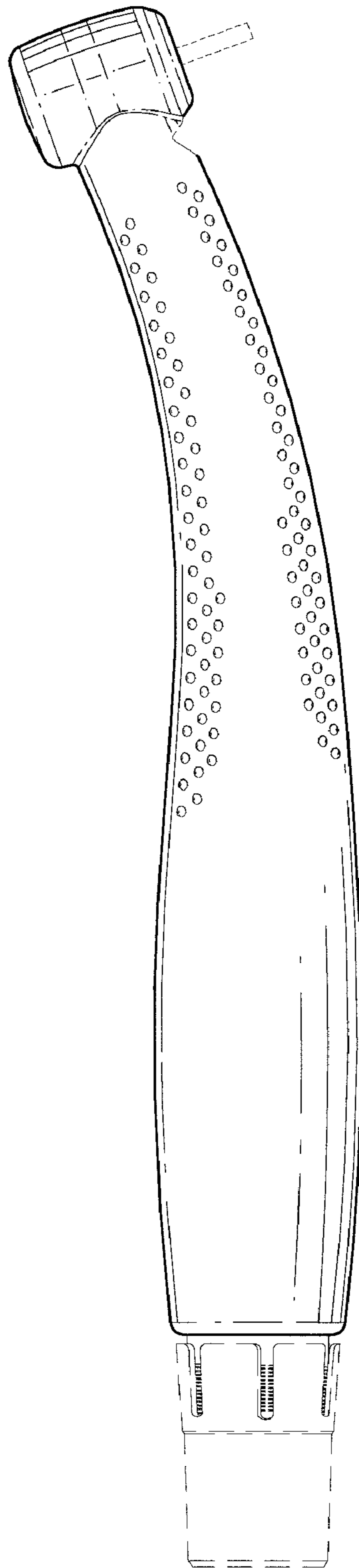


FIG. 26

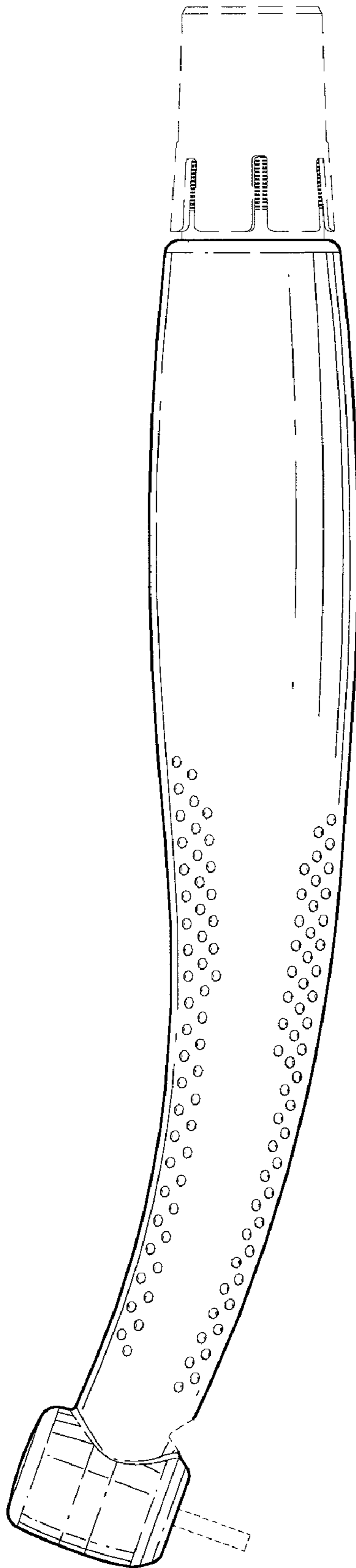


FIG. 27

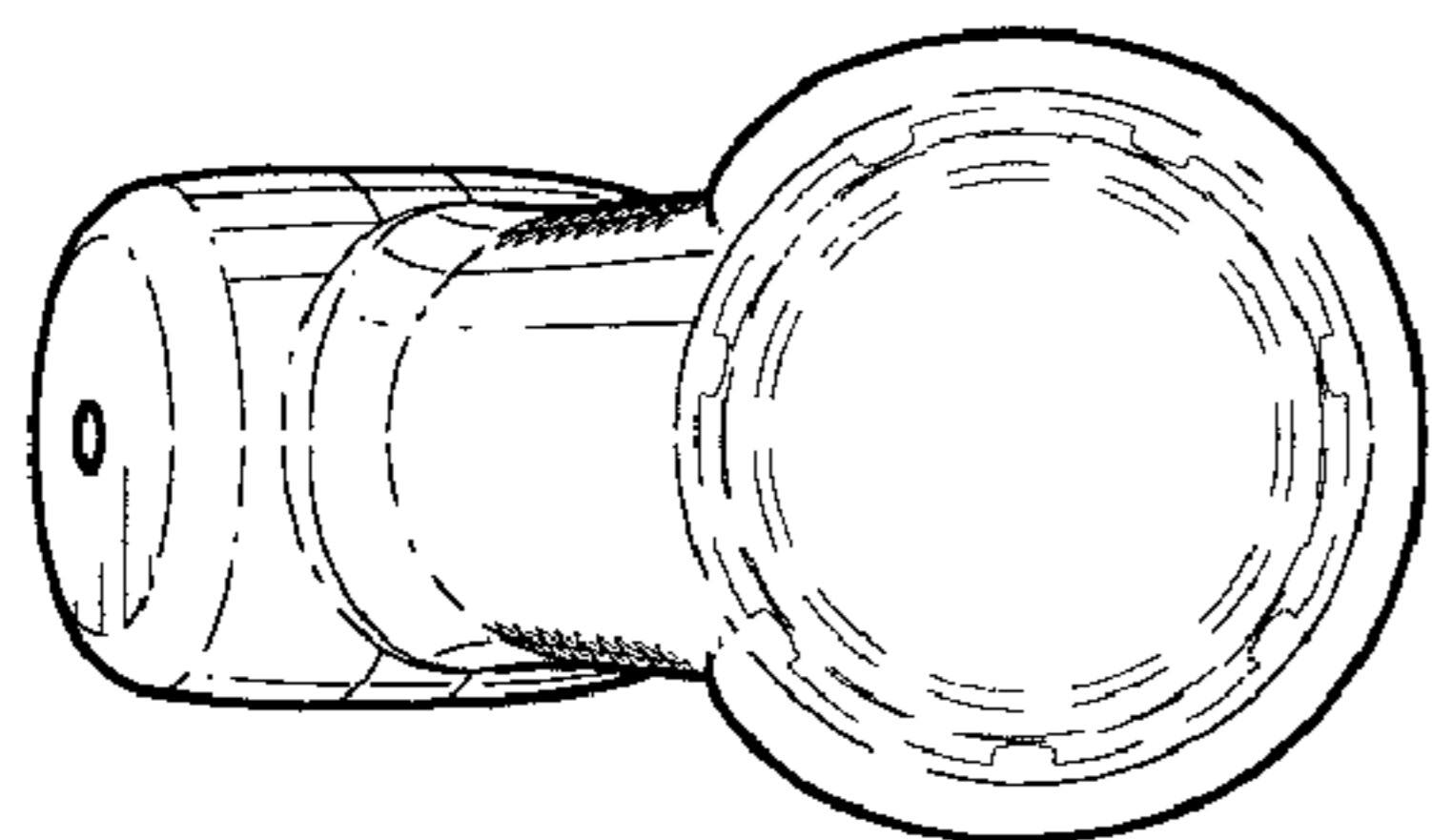


FIG. 29

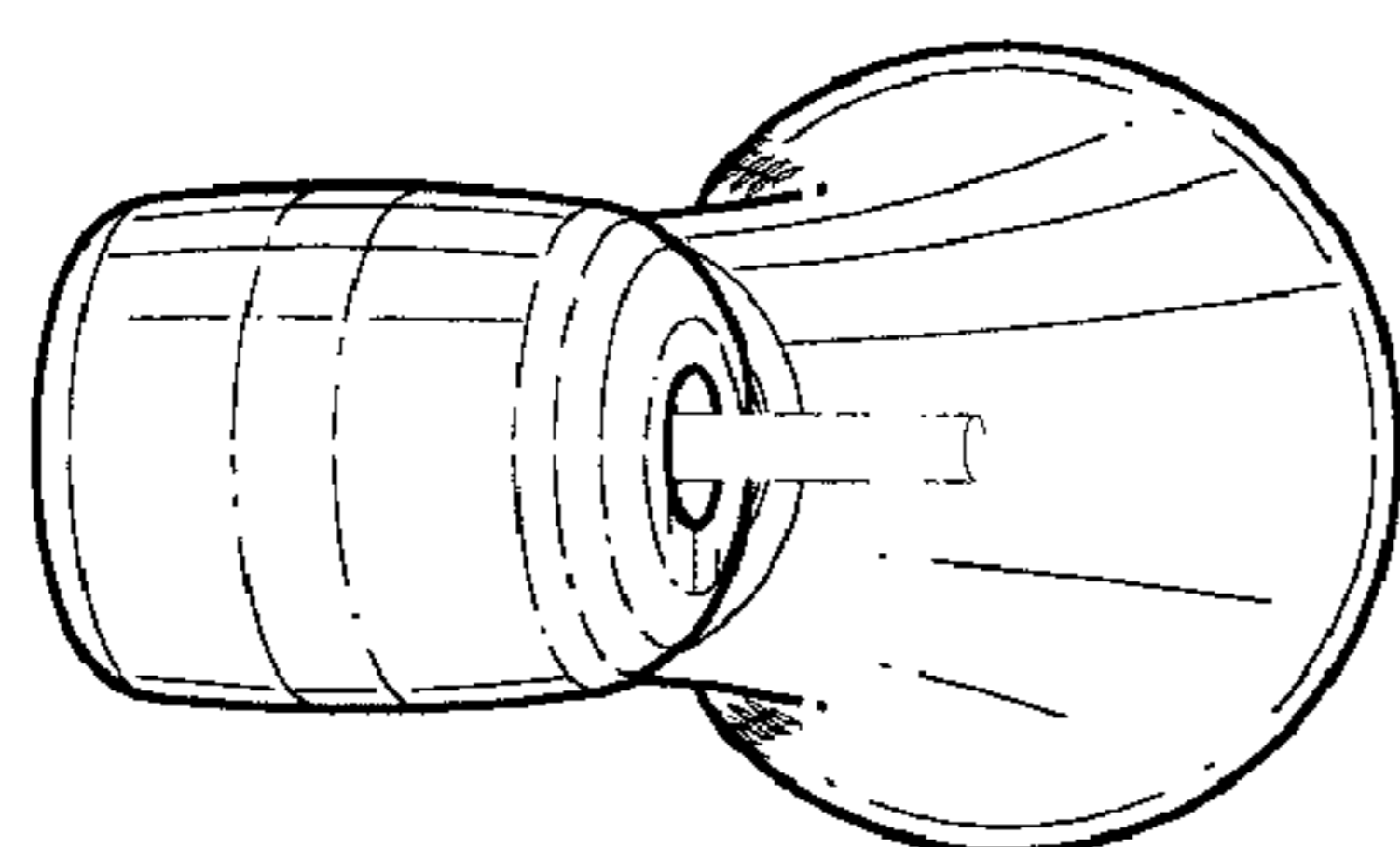


FIG. 28

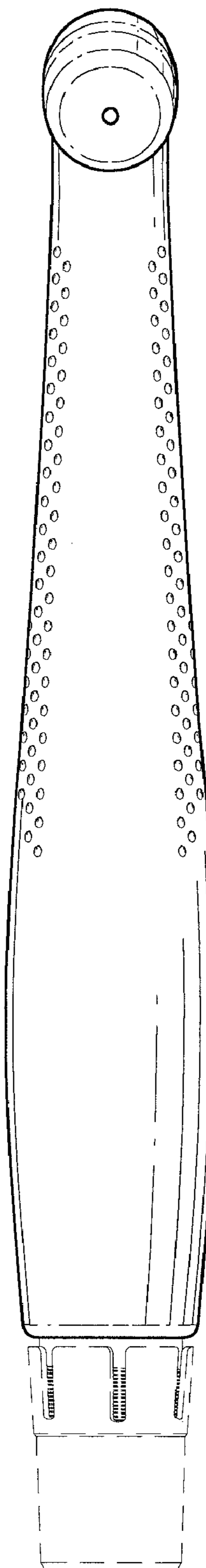


FIG. 30

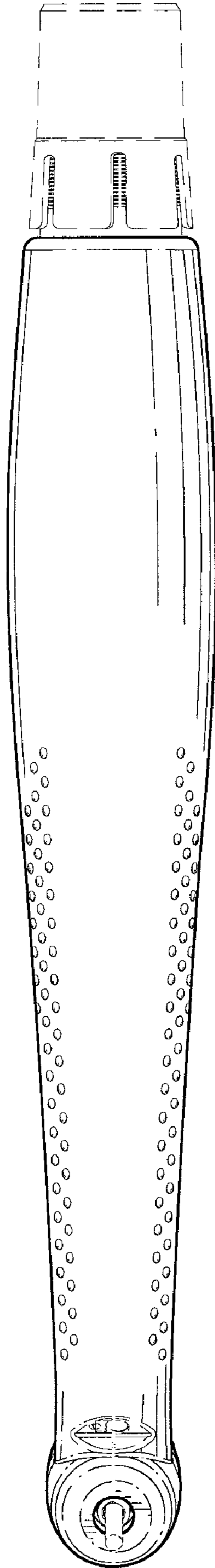


FIG. 31

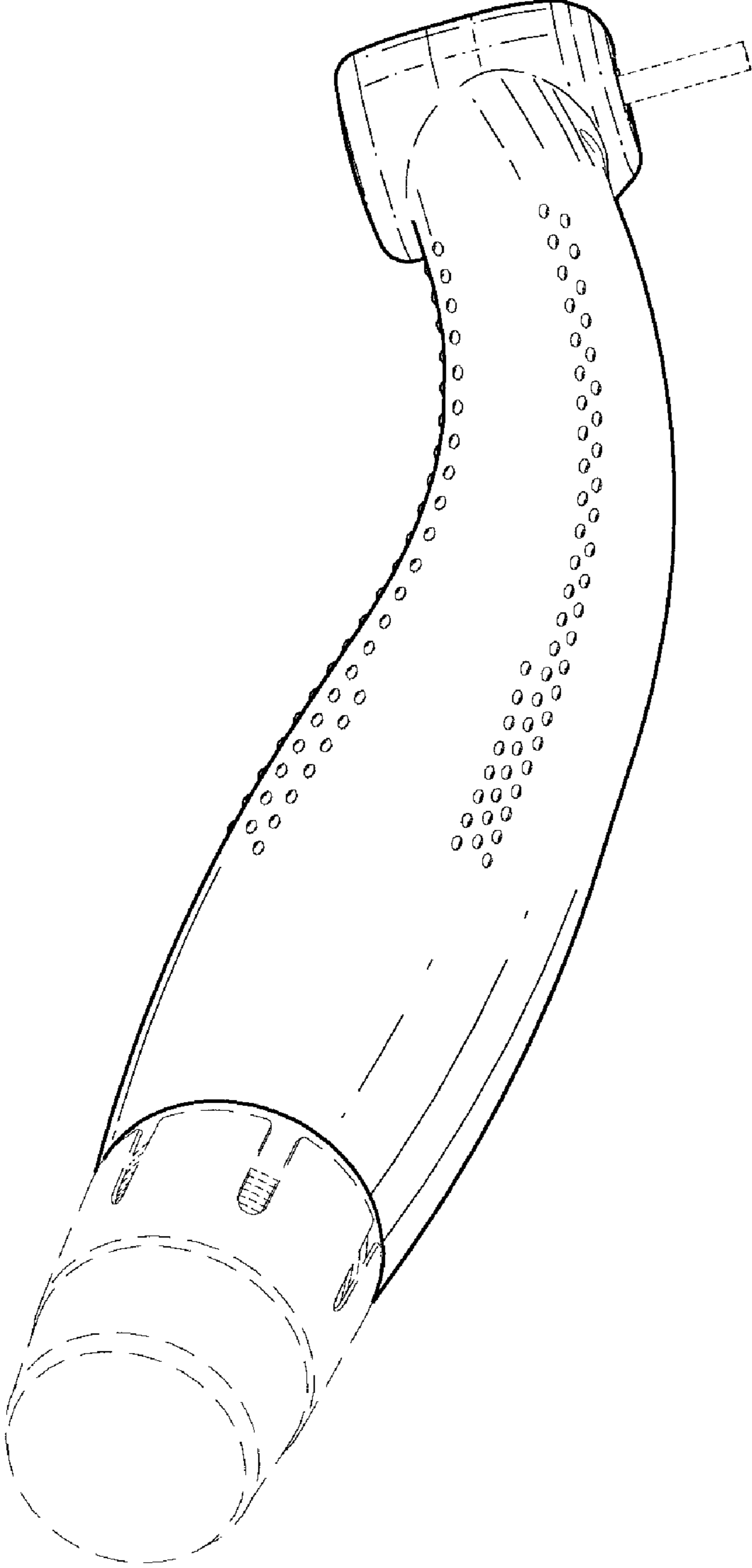


FIG. 32