



US00D577815S

(12) **United States Design Patent**
Gokhale et al.

(10) **Patent No.:** **US D577,815 S**
(45) **Date of Patent:** **** Sep. 30, 2008**

(54) **INHALER**

(75) Inventors: **Satish Madhukar Gokhale**, Pune (ID);
Abhijit Takale, Pune (ID)

(73) Assignee: **Sun Pharma Advanced Research Company Limited**, Gujarat (IN)

(**) Term: **14 Years**

(21) Appl. No.: **29/296,880**

(22) Filed: **Oct. 30, 2007**

(30) **Foreign Application Priority Data**

Apr. 30, 2007 (ID) 209913

(51) **LOC (8) Cl.** **24-02**

(52) **U.S. Cl.** **D24/110**

(58) **Field of Classification Search** D10/46,
D10/81; D24/110; 128/200.23, 200.14,
128/203.12, 203.15, 203.19, 203.21; 239/337;
604/275

See application file for complete search history.

(56) **References Cited**

U.S. PATENT DOCUMENTS

D355,029 S * 1/1995 Kinneir et al. D24/110
5,388,572 A * 2/1995 Mulhauser et al. 128/203.15

D427,675 S * 7/2000 Hansel D24/110
D565,436 S * 4/2008 McDarby et al. D10/46
7,360,537 B2 * 4/2008 Snyder et al. 128/200.23
7,367,333 B2 * 5/2008 Hodson et al. 128/200.23

OTHER PUBLICATIONS

Search Report for Indian Patent 209913.
Search Report for Indian Patent 209914.
Search Report for Indian Patent 209915.

* cited by examiner

Primary Examiner—Antoine D Davis

(74) *Attorney, Agent, or Firm*—Merchant & Gould P.C.

(57) **CLAIM**

The ornamental design for an inhaler, as shown and described.

DESCRIPTION

FIG. 1 is a perspective view of an inhaler according to the principles of the present invention;

FIG. 2 is a front elevational view thereof;

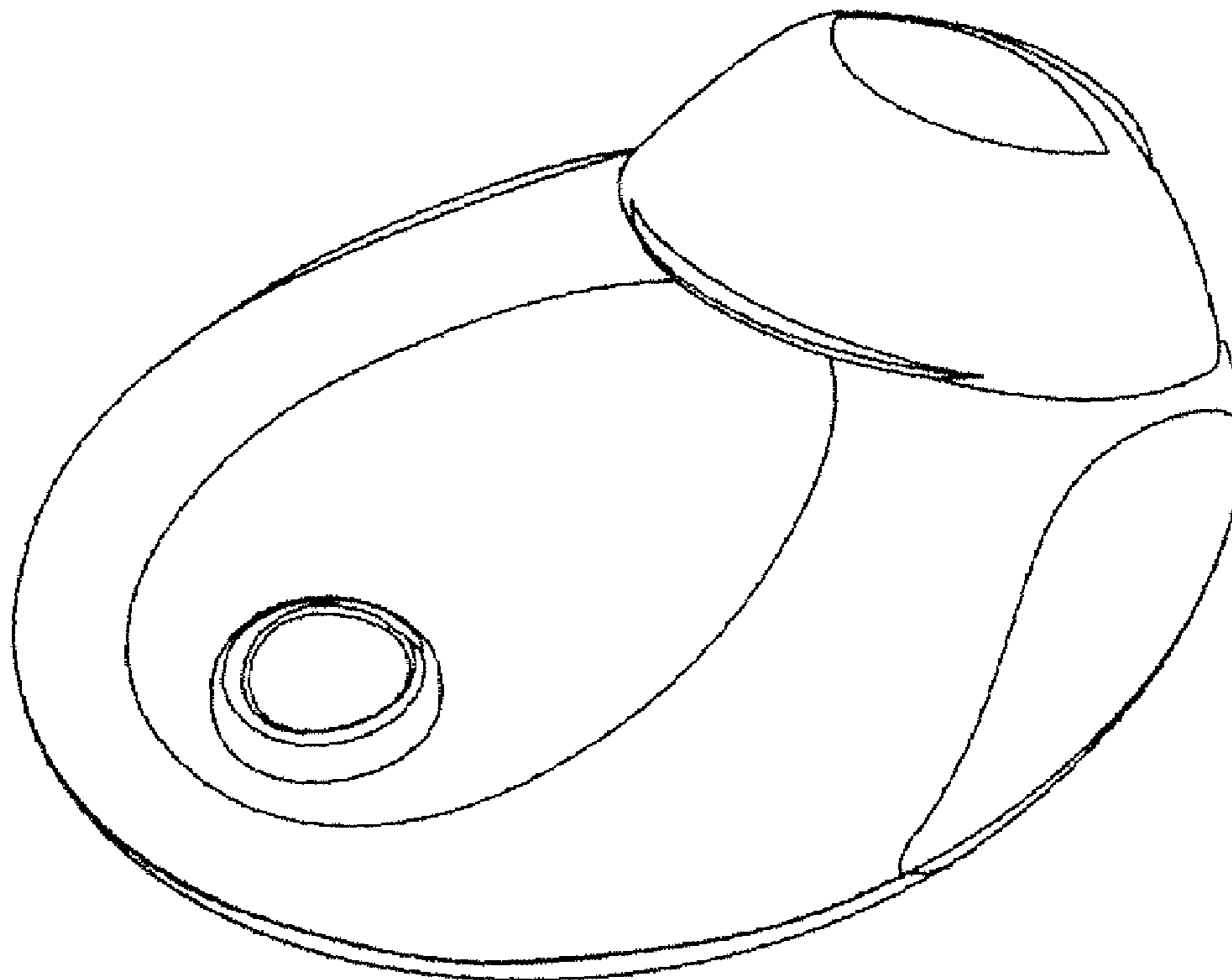
FIG. 3 is a rear elevational view thereof;

FIG. 4 is a top plan view thereof;

FIG. 5 is a bottom plan view thereof; and,

FIG. 6 is a side elevational view thereof.

1 Claim, 2 Drawing Sheets



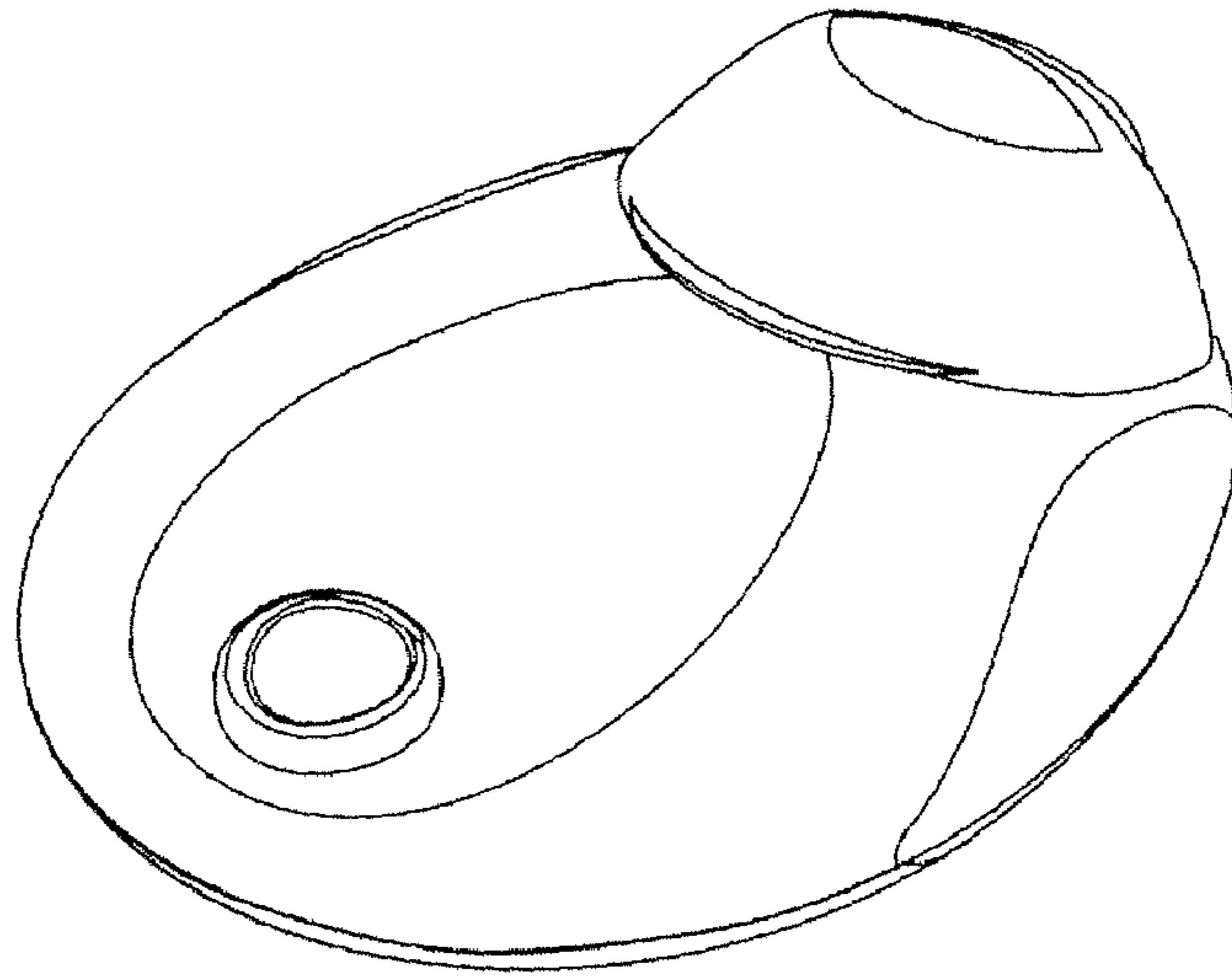


Fig. 1

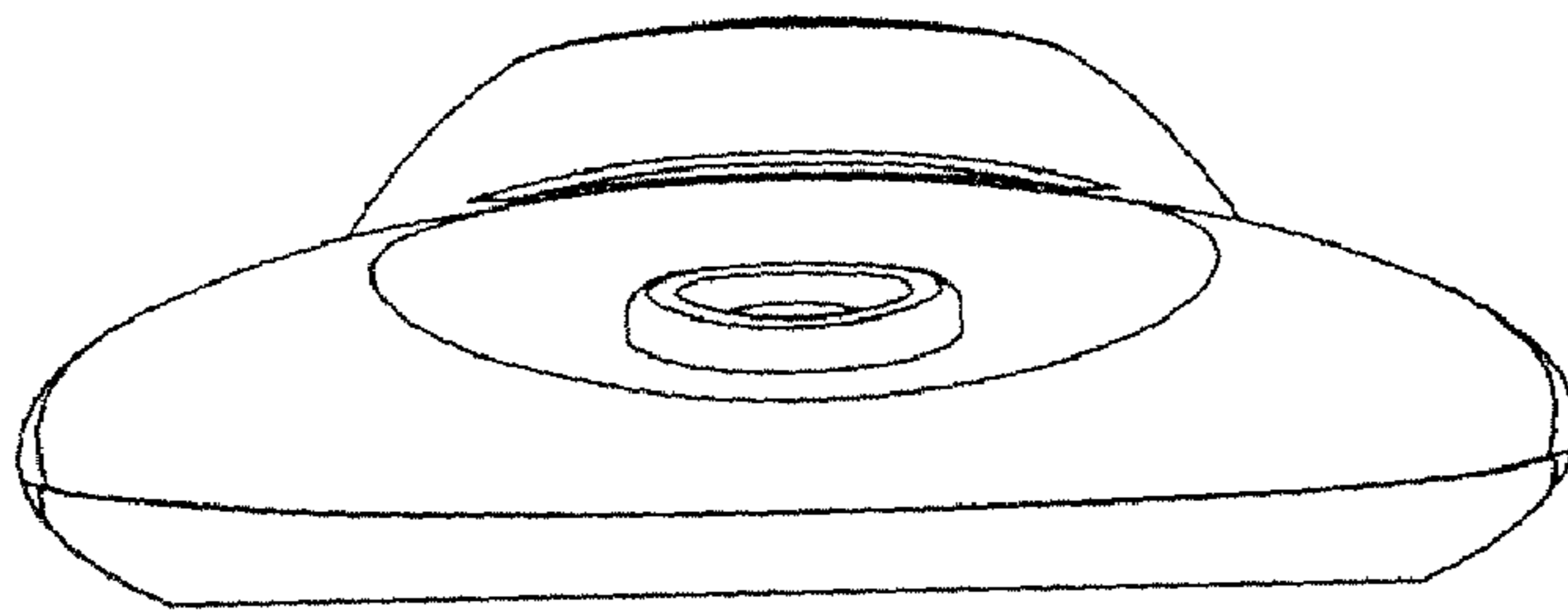


Fig. 2

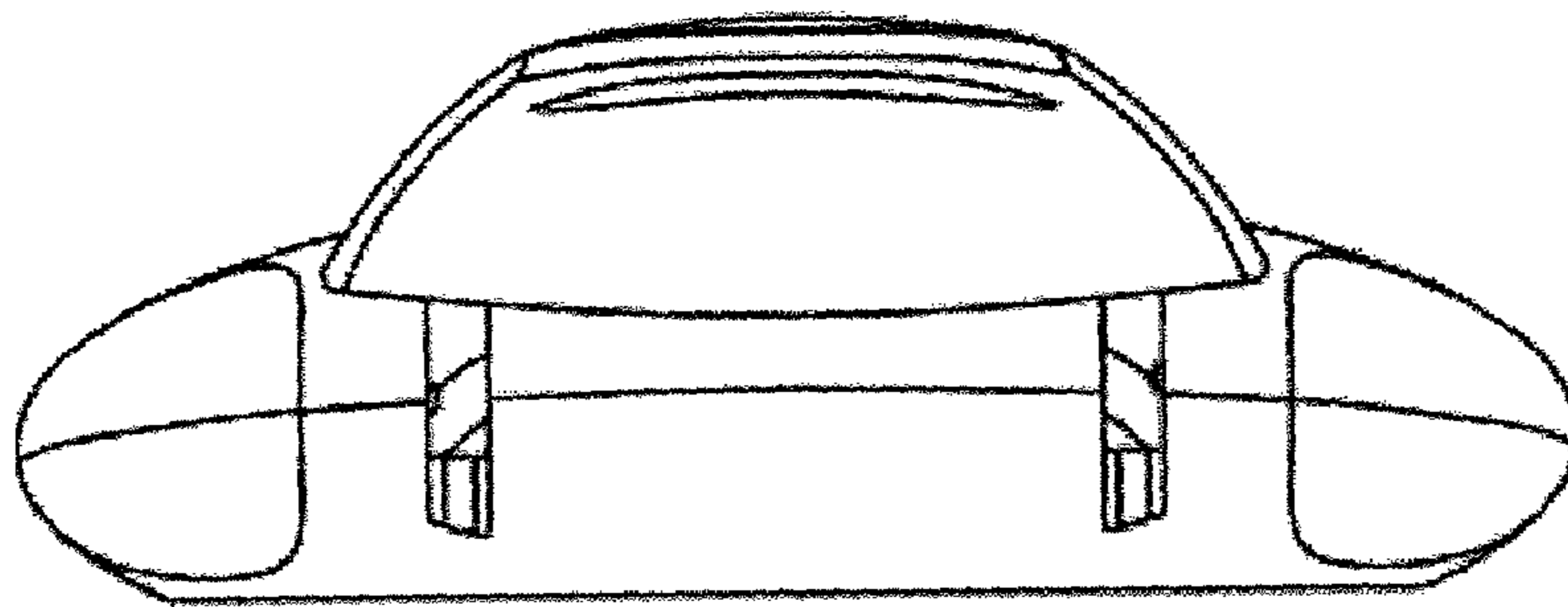


Fig 3

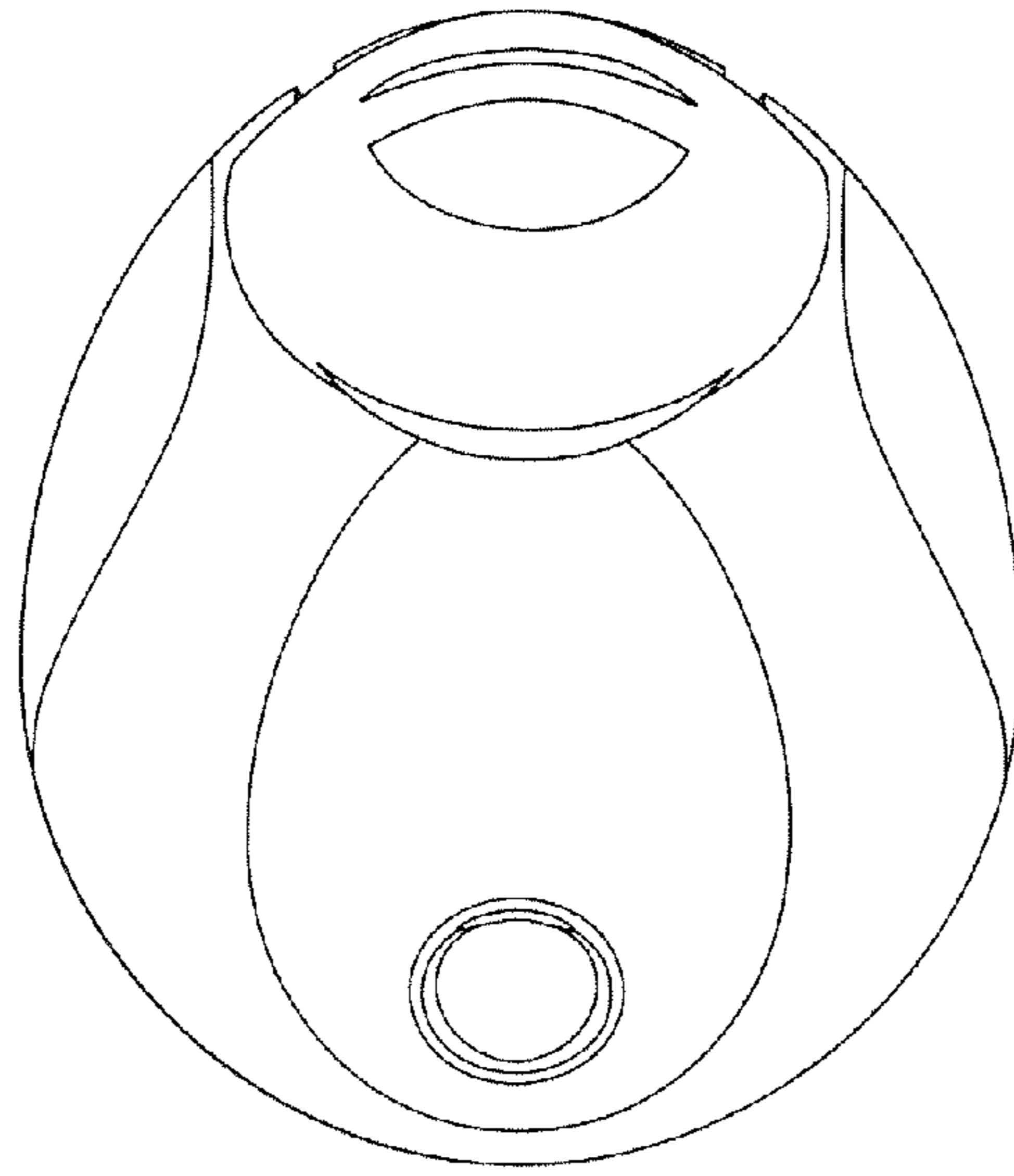


Fig. 4

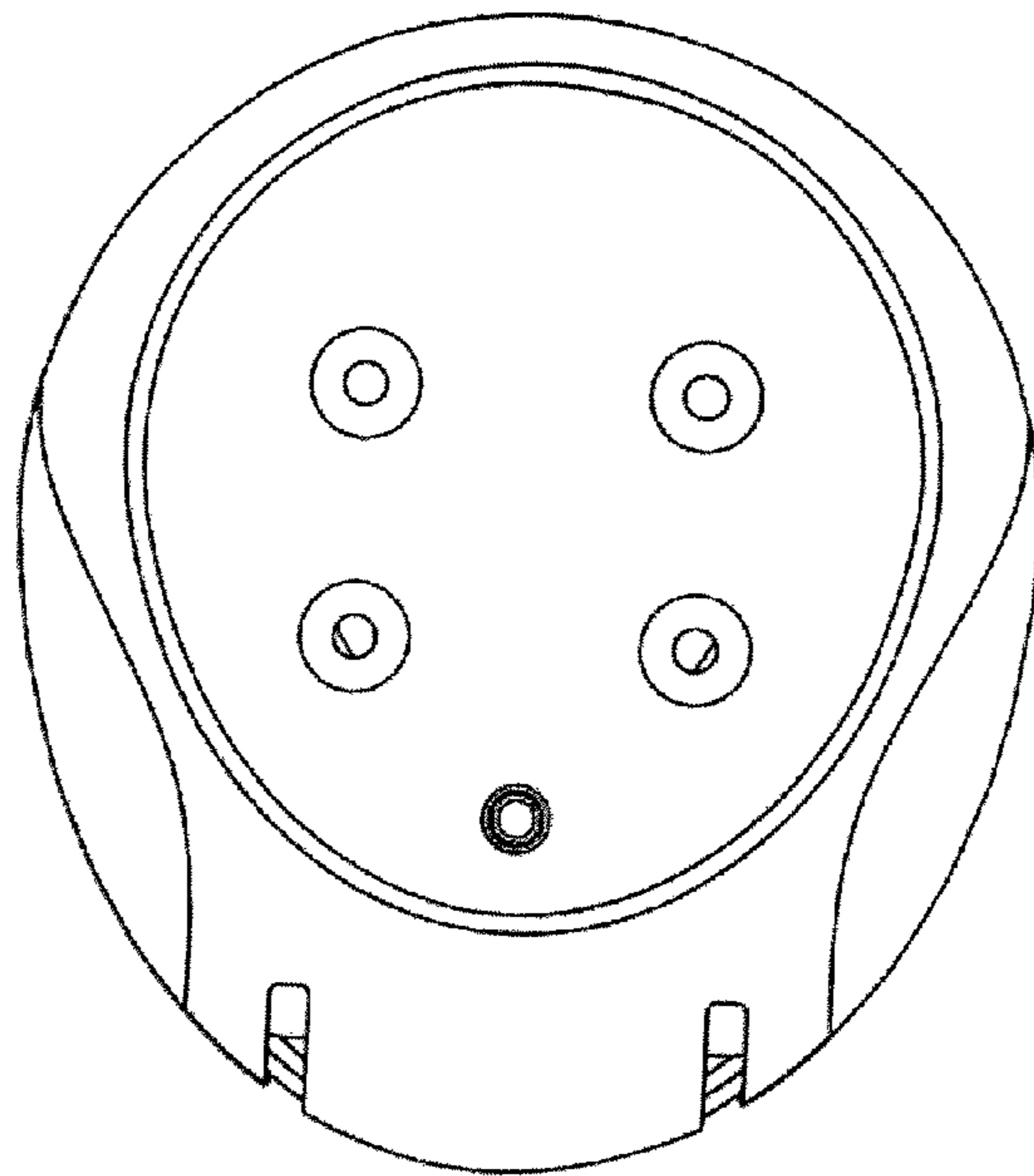


Fig. 5

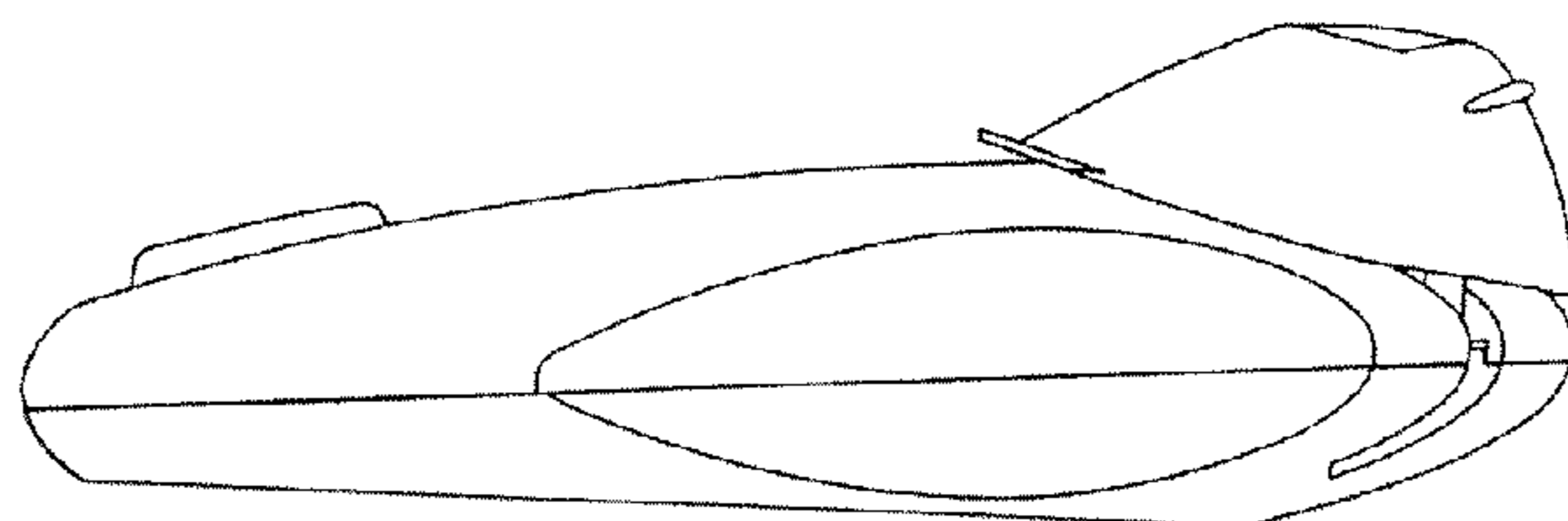


Fig. 6