



US00D577814S

(12) **United States Design Patent**  
**Seki et al.**

(10) **Patent No.:** **US D577,814 S**  
(45) **Date of Patent:** **\*\* Sep. 30, 2008**

(54) **ELECTRIC FACIAL PORE CLEANER**

(75) Inventors: **Mayumi Seki**, Tokyo (JP); **Keiko Ohta**,  
Chiba (JP)

(73) Assignee: **Matsushita Electric Works, Ltd.**,  
Osaka (JP)

(\*\*) Term: **14 Years**

(21) Appl. No.: **29/288,878**

(22) Filed: **Jun. 25, 2007**

(30) **Foreign Application Priority Data**

Dec. 25, 2006 (JP) ..... 2006-035364

(51) **LOC (8) Cl.** ..... **24-02**

(52) **U.S. Cl.** ..... **D24/107; D24/133**

(58) **Field of Classification Search** ..... D24/146,  
D24/147, 133, 200, 214, 215, 108, 107; D28/9,  
D28/7, 20, 50; D9/529, 551, 556, 558; D4/116;  
606/9, 131-133; 601/15, 17, 21, 47; 607/145,  
607/150, 151

See application file for complete search history.

(56) **References Cited**

**U.S. PATENT DOCUMENTS**

D319,711 S \* 9/1991 Fujisawa ..... D28/50  
D330,091 S \* 10/1992 Anema ..... D28/58  
D414,582 S \* 9/1999 Hwang ..... D28/9  
D425,241 S \* 5/2000 Nishizawa et al. .... D28/9  
D434,181 S \* 11/2000 Watanabe et al. .... D28/9  
D526,205 S \* 8/2006 Priestman ..... D9/529

D528,920 S \* 9/2006 Priestman ..... D9/529  
D538,430 S \* 3/2007 Ohta ..... D24/146  
D538,474 S \* 3/2007 Sheppard et al. .... D28/7  
D538,483 S \* 3/2007 Bakic ..... D28/89  
D548,341 S \* 8/2007 Ohta et al. .... D24/146  
D568,473 S \* 5/2008 Ashiwa et al. .... D24/146

**FOREIGN PATENT DOCUMENTS**

JP 1285547 11/2006

\* cited by examiner

*Primary Examiner*—Ian Simmons

*Assistant Examiner*—Christopher Lee

(74) *Attorney, Agent, or Firm*—Osha • Liang LLP

(57) **CLAIM**

The ornamental design for an electric facial pore cleaner, as shown and described.

**DESCRIPTION**

FIG. 1 is a perspective view of the design according to the invention.

FIG. 2 is a front view of the design according to the invention.

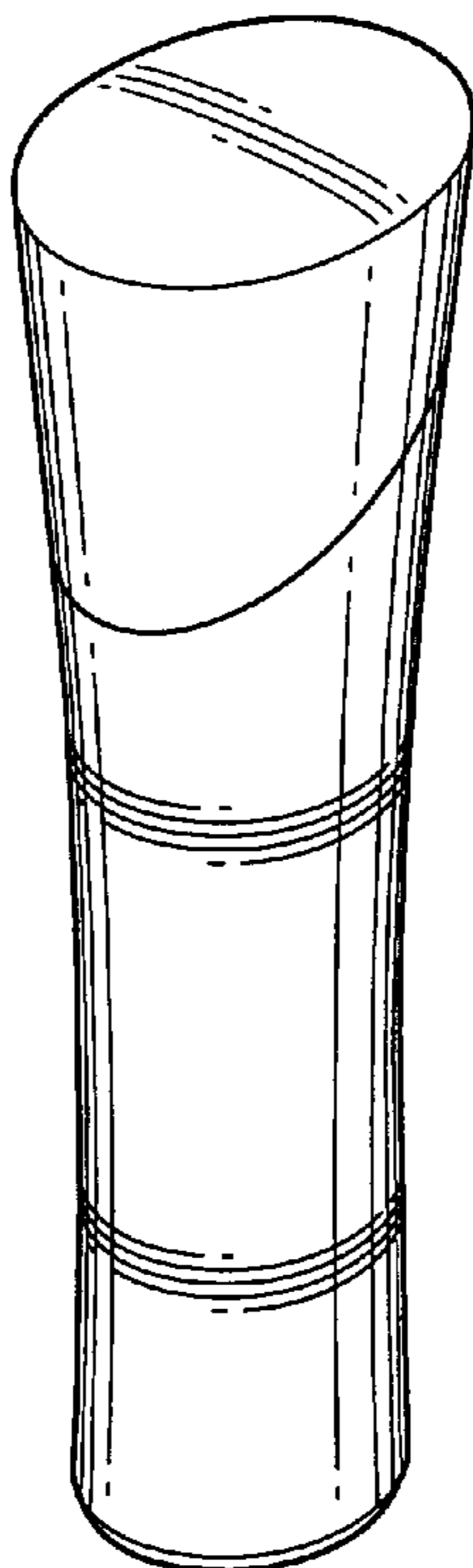
FIG. 3 is a rear view of the design according to the invention.

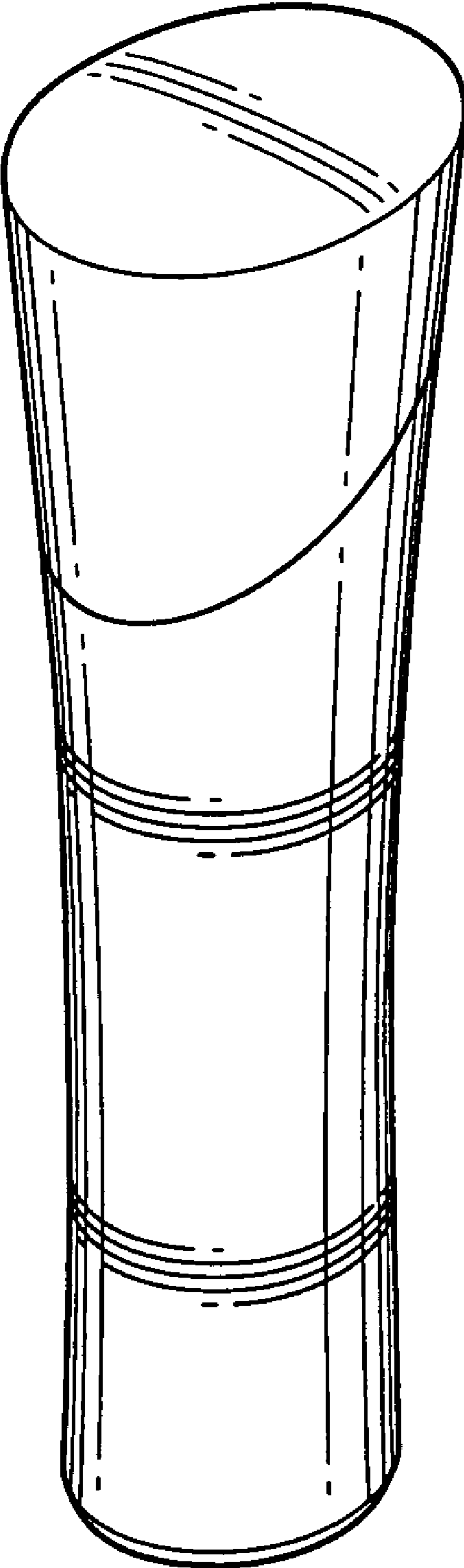
FIG. 4 is a right side view of the design according to the invention, a left side view being a mirror image thereof.

FIG. 5 is a top view of the design according to the invention; and,

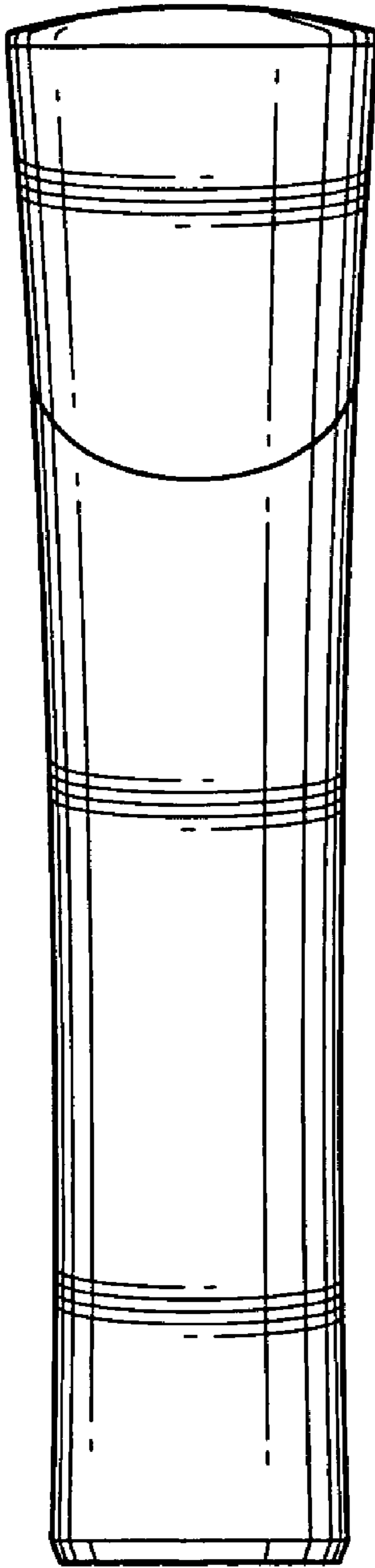
FIG. 6 is a bottom view of the design according to the invention.

**1 Claim, 3 Drawing Sheets**

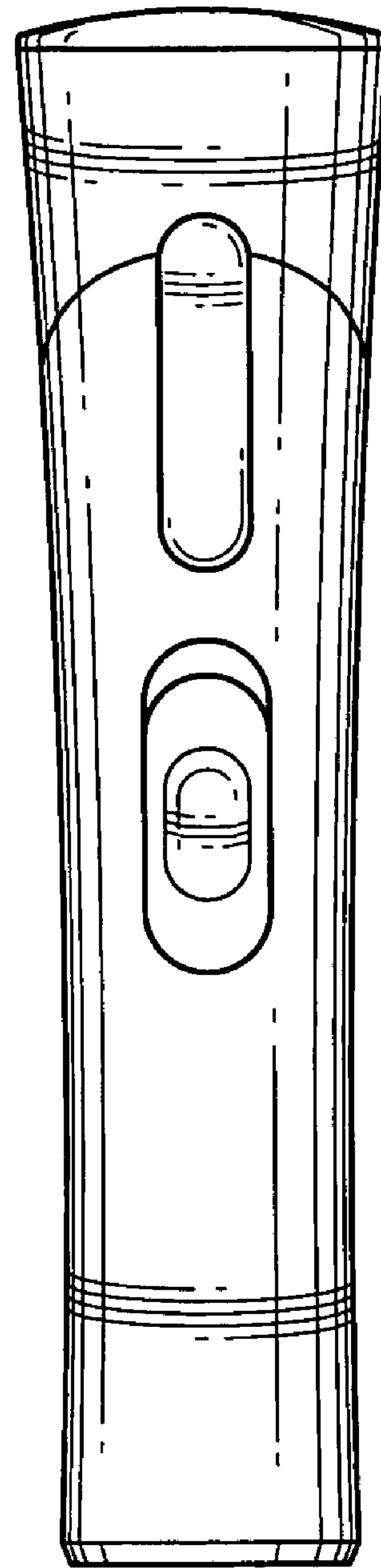




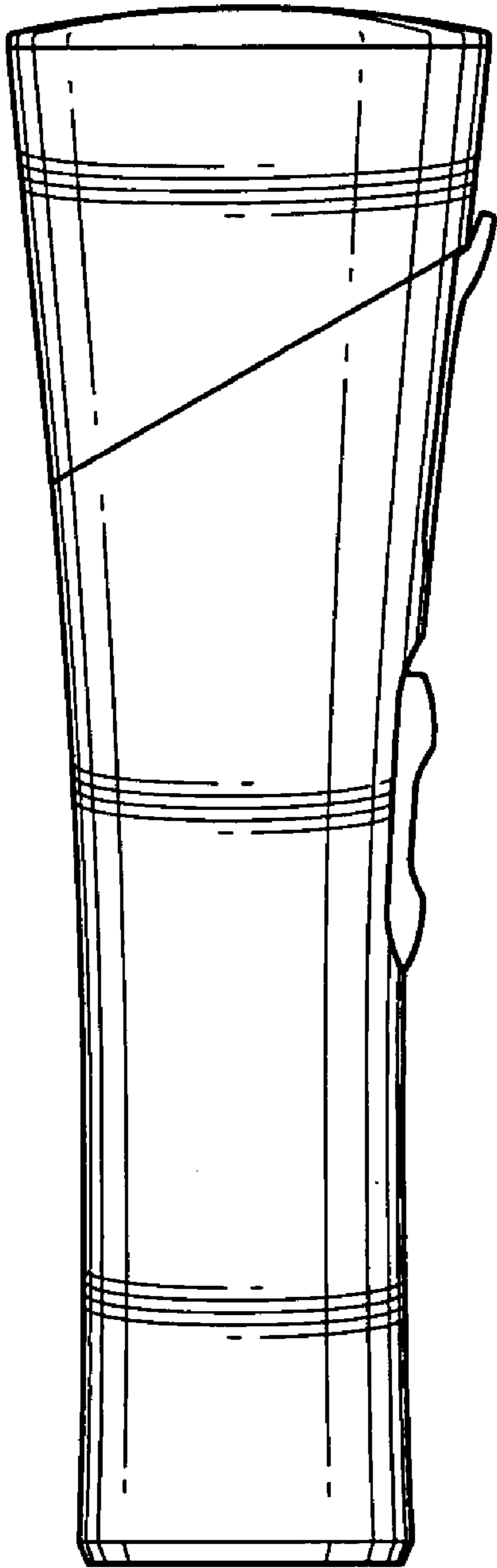
**FIG. 1**



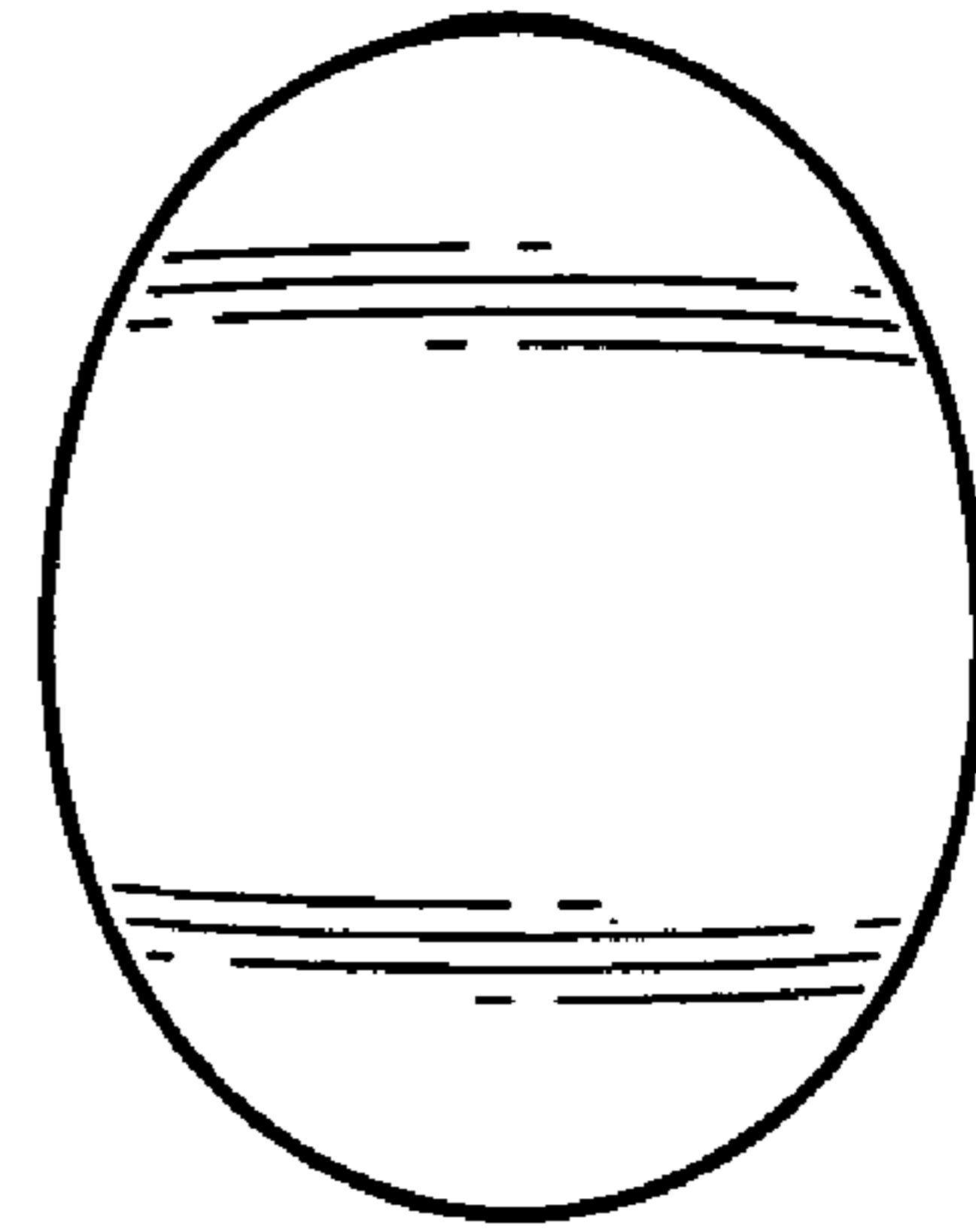
**FIG. 2**



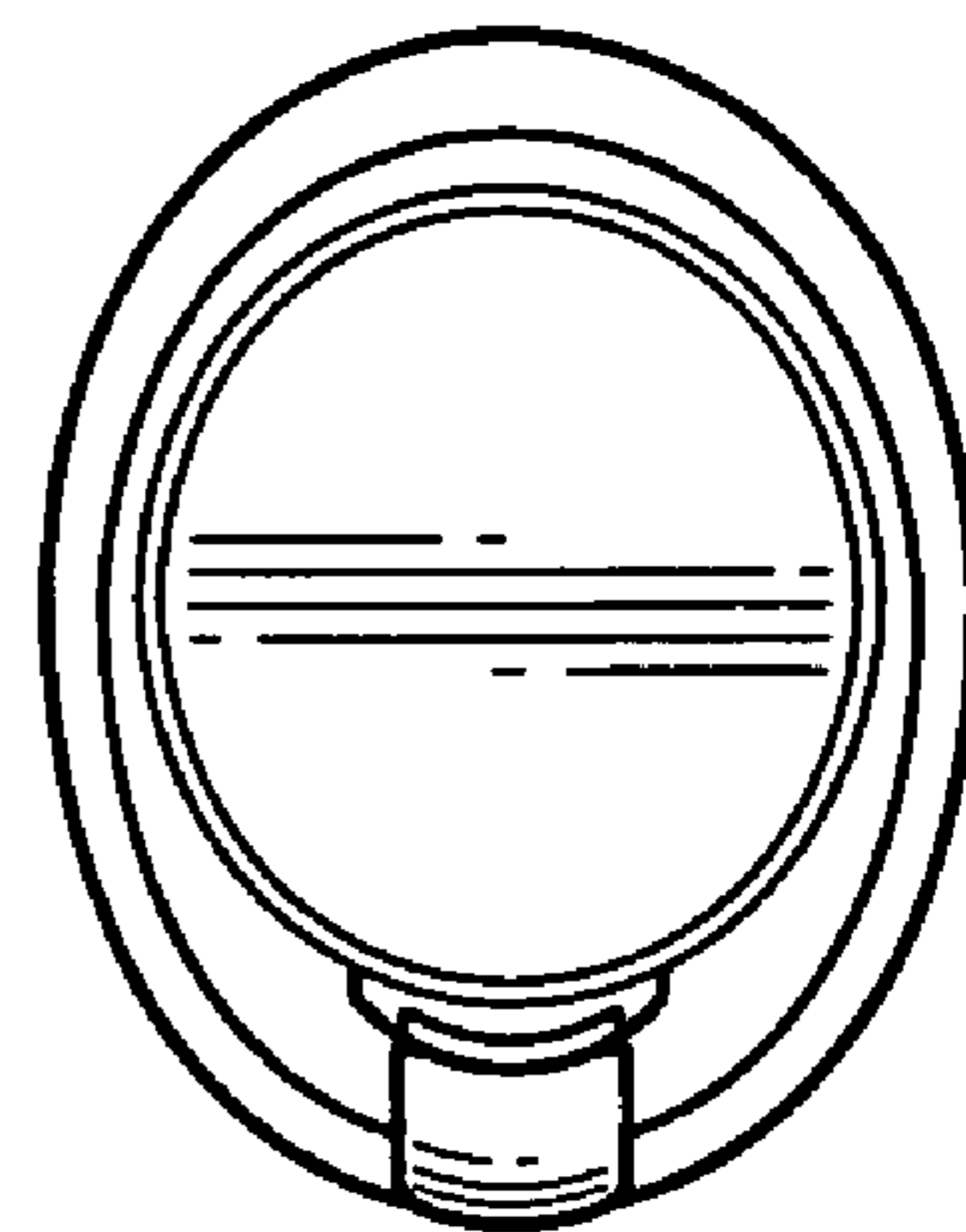
**FIG. 3**



**FIG. 4**



**FIG. 5**



**FIG. 6**