



US00D577810S

(12) **United States Design Patent**  
**Hidalgo**

(10) **Patent No.:** **US D577,810 S**

(45) **Date of Patent:** **\*\* Sep. 30, 2008**

(54) **CEILING FAN HOUSING**

(75) Inventor: **Rolando Hidalgo**, Orange, CA (US)

(73) Assignee: **Minka Lighting, Inc.**, Corona, CA (US)

(\*\*) Term: **14 Years**

(21) Appl. No.: **29/299,281**

(22) Filed: **Dec. 21, 2007**

(51) **LOC (8) Cl.** ..... **23-04**

(52) **U.S. Cl.** ..... **D23/411**

(58) **Field of Classification Search** ..... D23/377,  
D23/379, 385, 411, 413; 416/5

See application file for complete search history.

(56) **References Cited**

**U.S. PATENT DOCUMENTS**

D504,174 S	*	4/2005	Thomas, Jr.	.....	D23/413
D517,712 S	*	3/2006	Pickett	.....	D26/59
D526,733 S	*	8/2006	Ertze	.....	D26/59
D527,451 S	*	8/2006	Glasbrenner	.....	D23/377
D565,726 S	*	4/2008	Hidalgo	.....	D23/413

**OTHER PUBLICATIONS**

Fanimation Internet Catalog; Sandella; Model #FP1820RS; printed from www.hansenwholesale.com on Apr. 25, 2007.

Concord Internet Catalog; Panama Weave; Model # CO-CO-52AAL4OWL; printed from www.hansenwholesale.com on Aug. 17, 2007.

Fanimation Internet Catalog; Treventi Amalfi; Model # FA-HA25AB; printed from www.hansenwholesale.com on Apr. 25, 2007.

Concord Internet Catalog; Criss Cross; Model # CO-52AAL4ORB; printed from www.hansenwholesale.com on Apr. 25, 2007.

\* cited by examiner

*Primary Examiner*—Lisa P Lichtenstein

(74) *Attorney, Agent, or Firm*—Baker & McKenzie LLP

(57) **CLAIM**

The ornamental design for a ceiling fan housing, as shown and described.

**DESCRIPTION**

FIG. 1 is a bottom perspective view of a ceiling fan housing in accordance with my design;

FIG. 2 is a reduced top plan view of the ceiling fan housing in accordance with my design;

FIG. 3 is a reduced bottom plan view of the ceiling fan housing in accordance with my design;

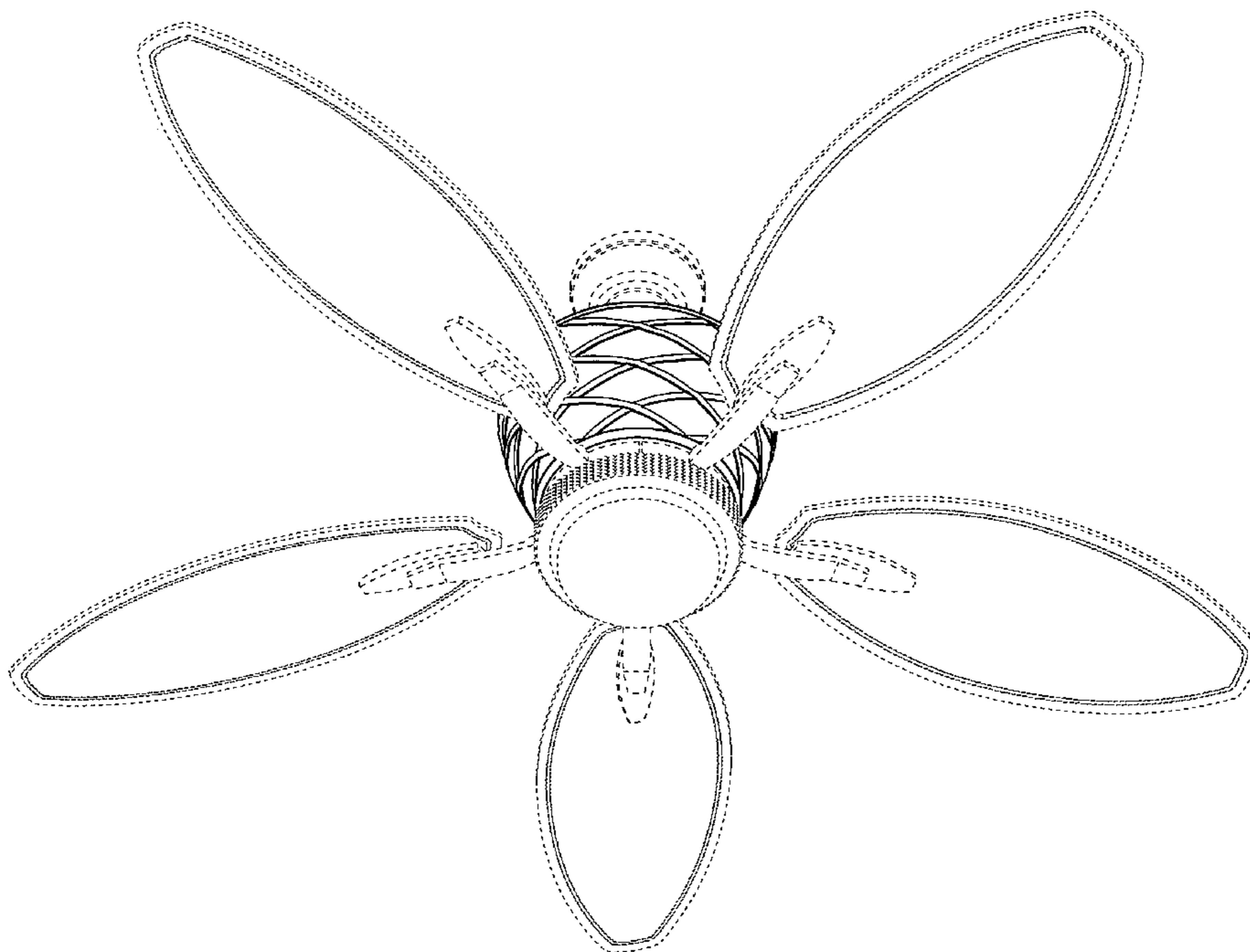
FIG. 4 is an enlarged side elevation view of the ceiling fan housing in accordance with my design, all sides being identical;

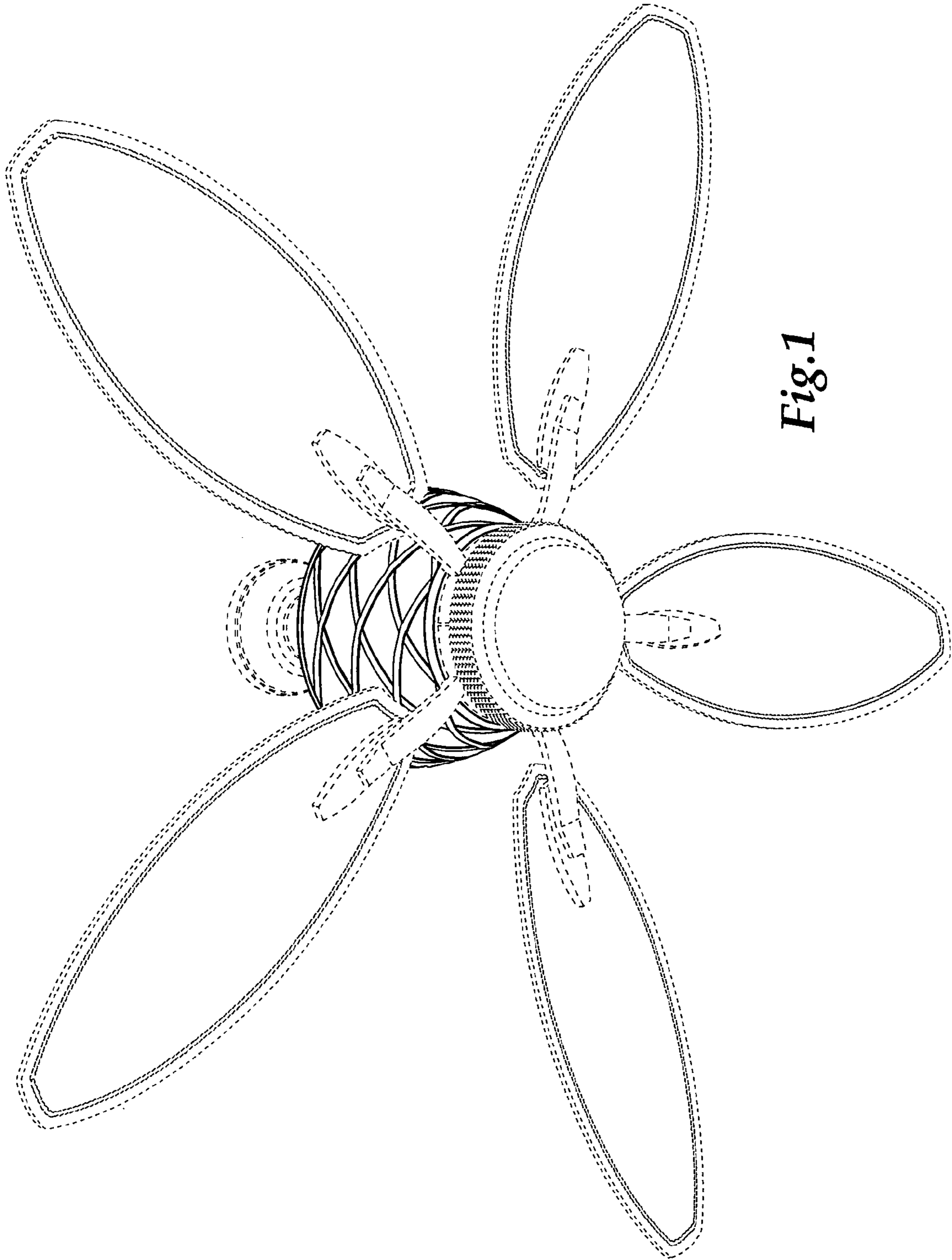
FIG. 5 is a greatly enlarged side elevation view of the ceiling fan housing in accordance with my design, all sides being identical; and,

FIG. 6 is a greatly enlarged bottom plan view of the ceiling fan housing in accordance with my design.

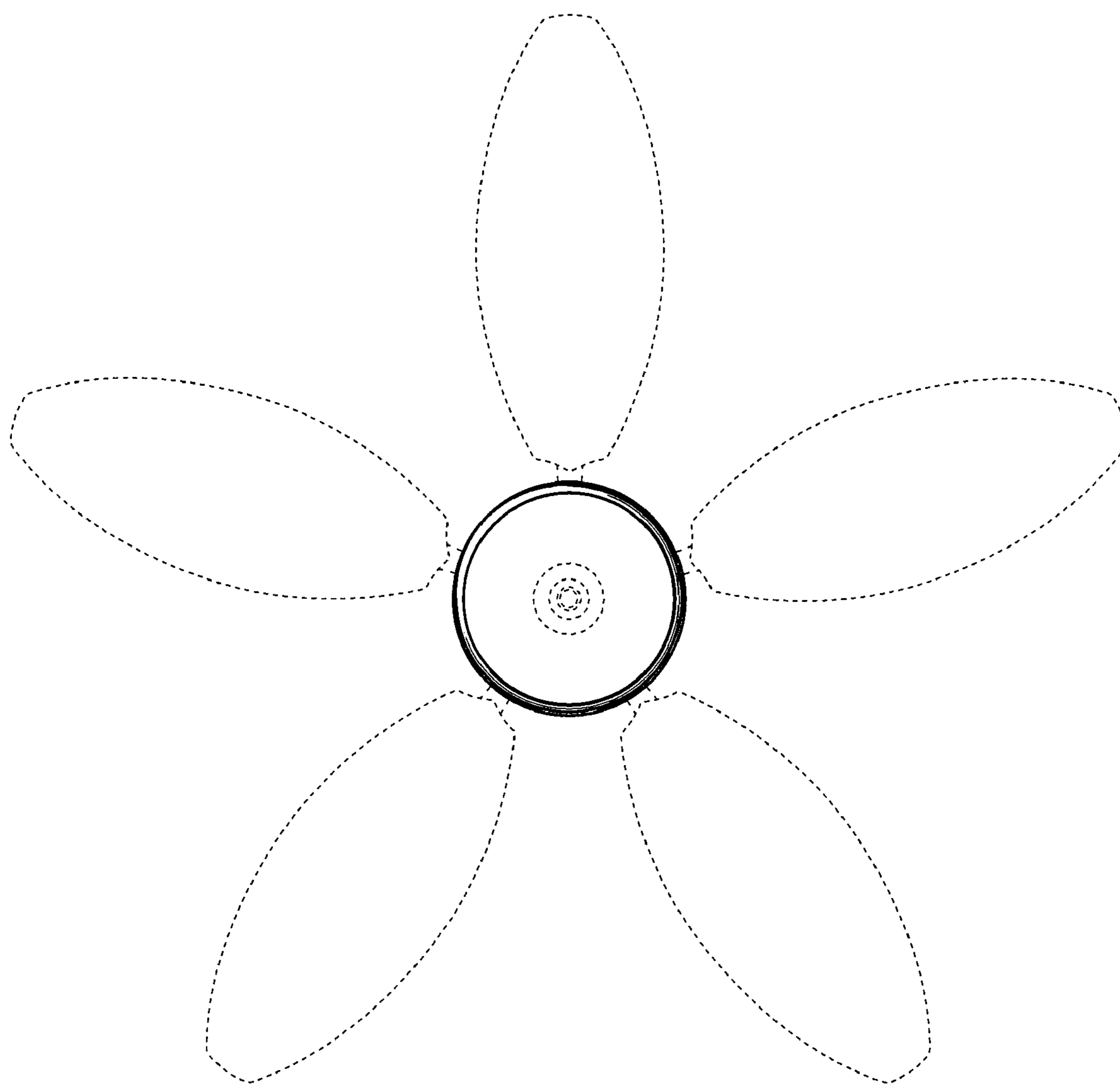
The broken line showing of the canopy, support rod, blades, blade irons and light fixture is included for the purpose of illustrating environmental structure and forms no part of the claimed design.

**1 Claim, 5 Drawing Sheets**

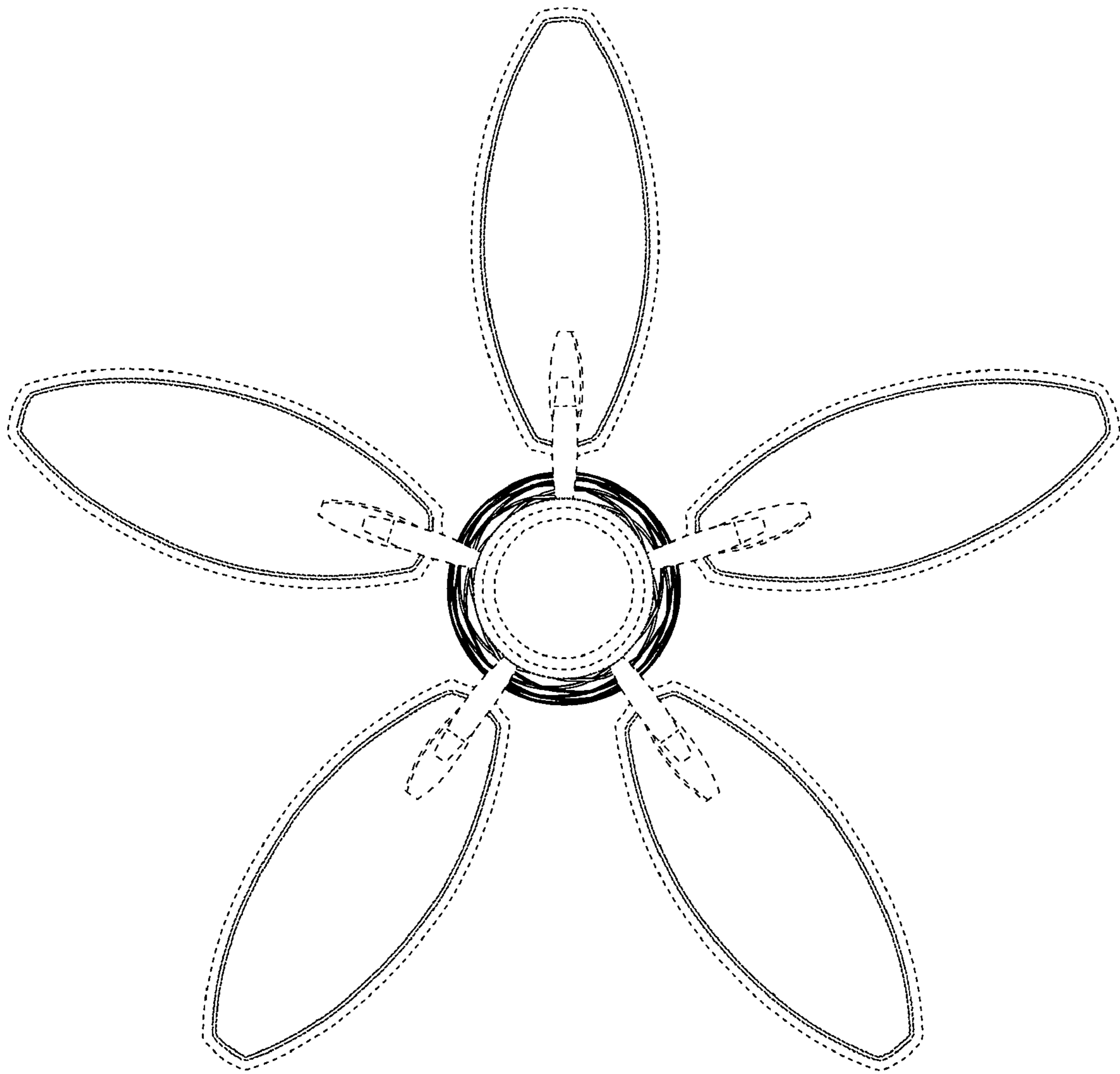




*Fig.1*



*Fig.2*



*Fig.3*

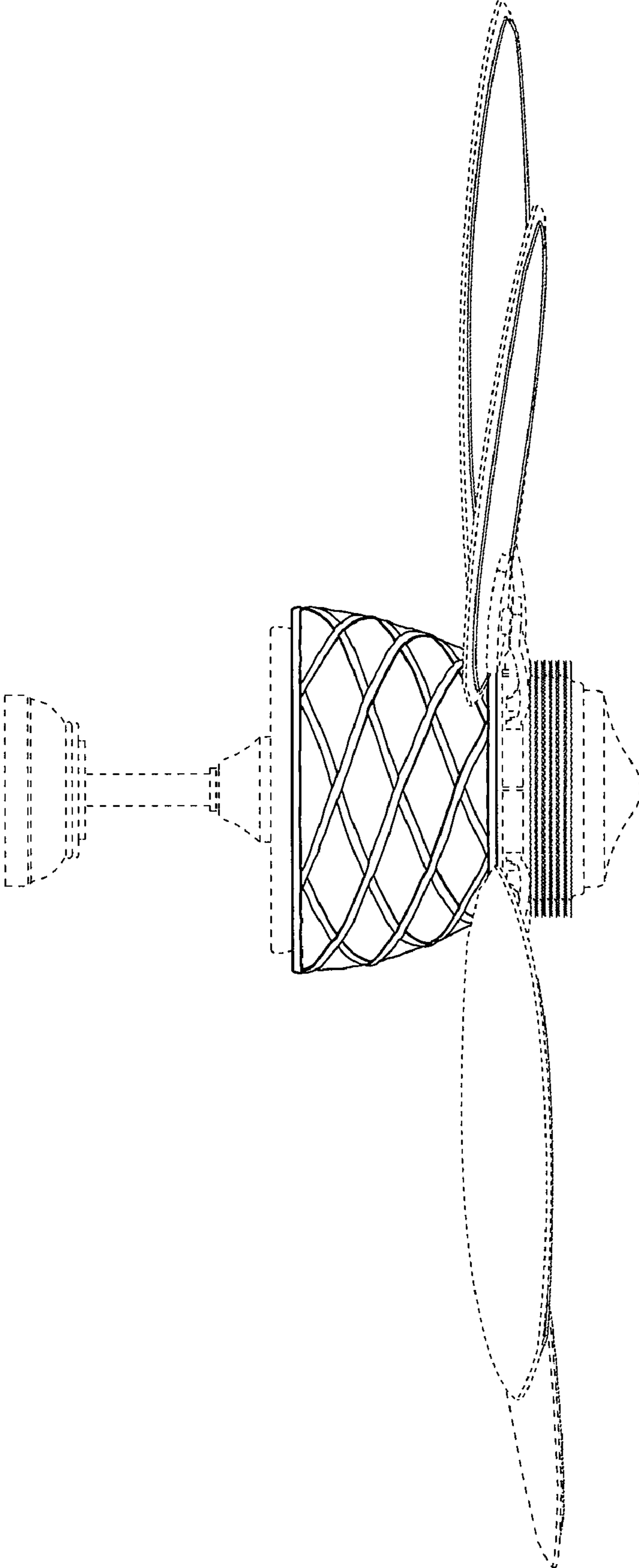
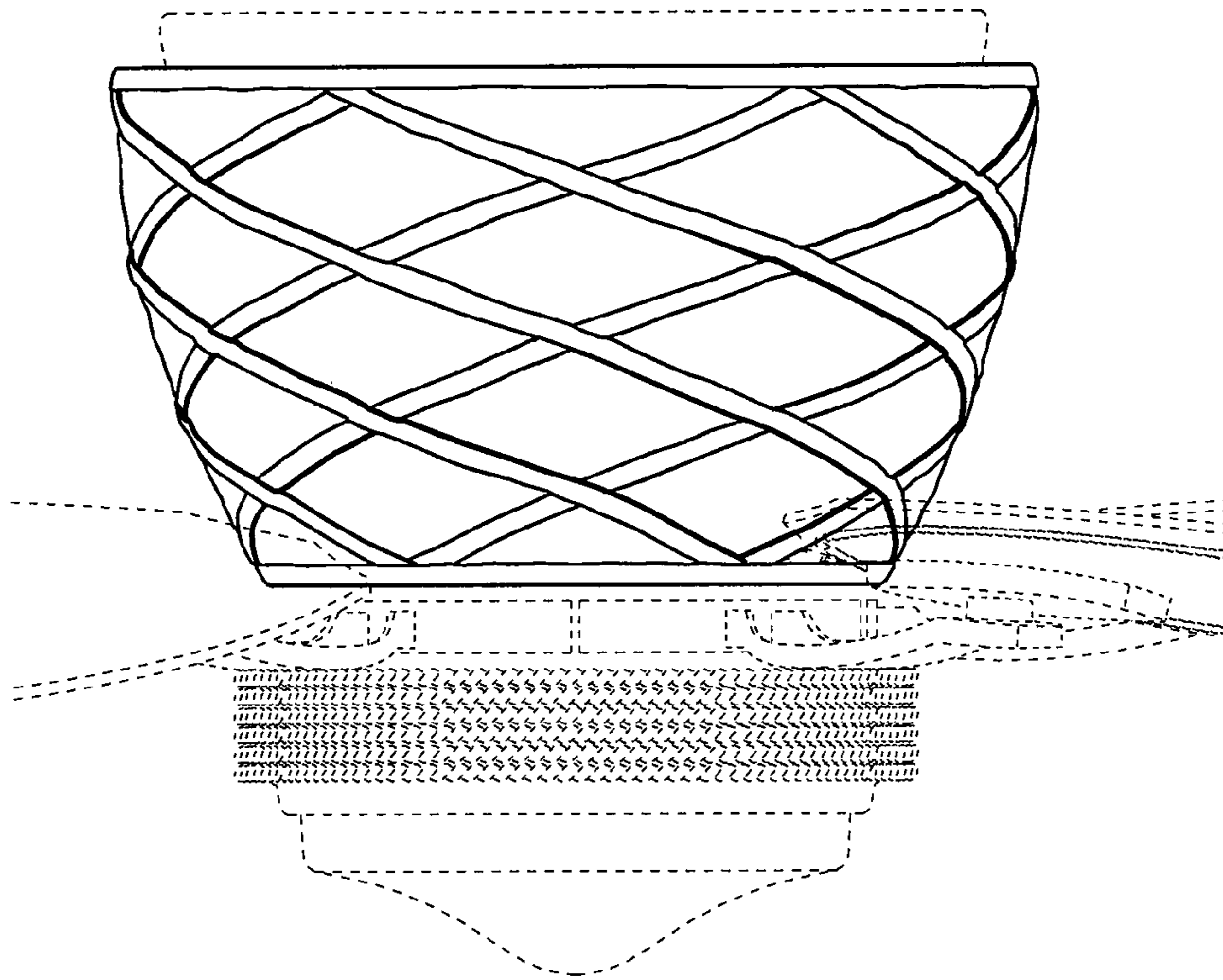
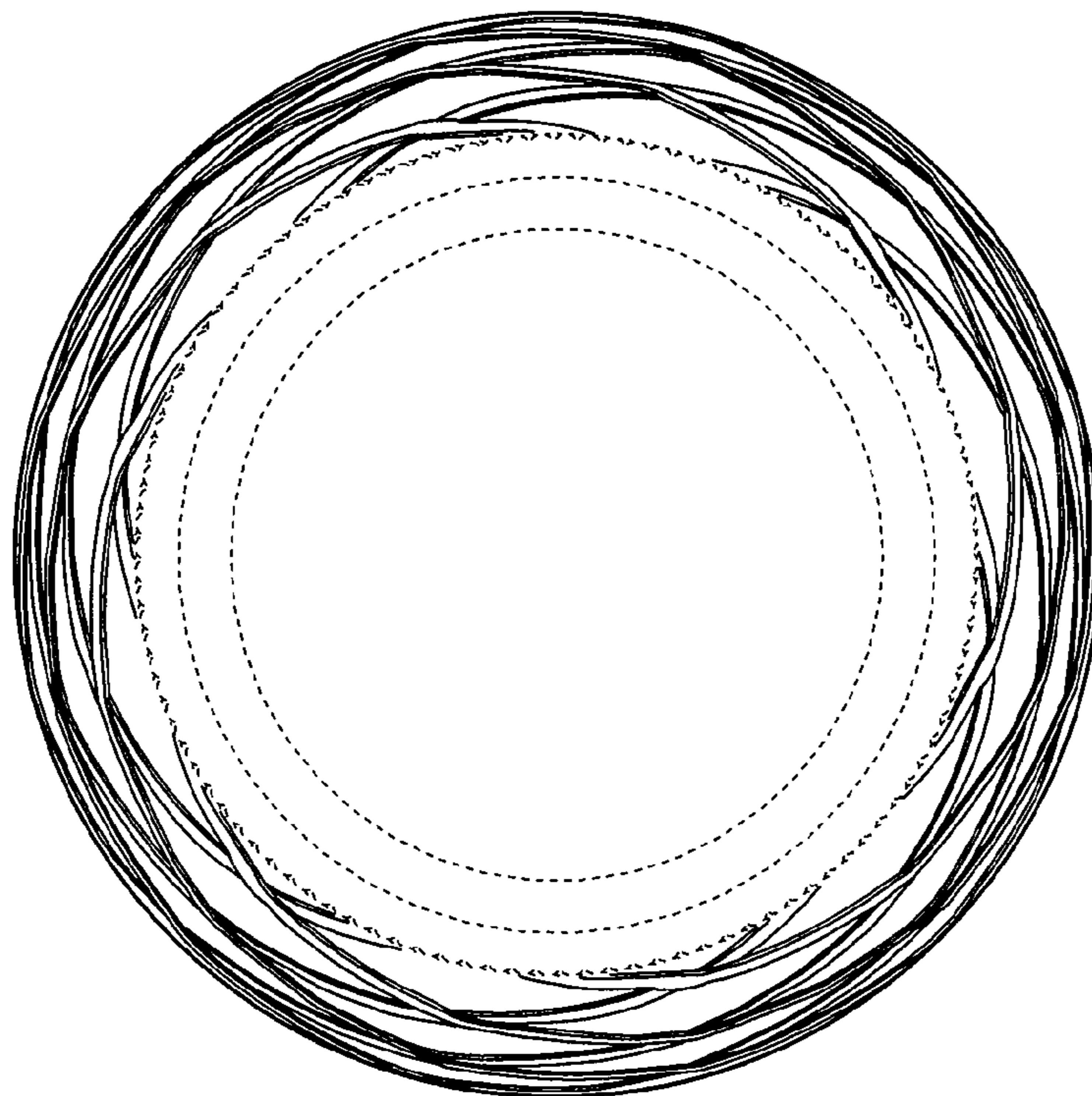


Fig.4



*Fig.5*



*Fig.6*