



US00D577808S

(12) **United States Design Patent**  
**Chang et al.**

(10) **Patent No.:** **US D577,808 S**

(45) **Date of Patent:** **\*\* Sep. 30, 2008**

(54) **ELECTRIC FAN**

D329,695 S \* 9/1992 Lin ..... D23/382

(76) Inventors: **Chih-Huang Chang**, P.O. Box No. 6-57,  
Junghe, Taipei 235 (TW); **Shen-Yuan**  
**Chen**, P.O. Box No. 6-57, Junghe, Taipei  
235 (TW)

\* cited by examiner

*Primary Examiner*—Lisa P Lichtenstein  
(74) *Attorney, Agent, or Firm*—Troxell Law Office, PLLC

(\*\*) Term: **14 Years**

(57) **CLAIM**

(21) Appl. No.: **29/287,702**

The ornamental design for an electric fan, as shown and described.

(22) Filed: **Sep. 10, 2007**

**DESCRIPTION**

(51) **LOC (8) Cl.** ..... **23-04**

FIG. 1 is a perspective view of an electric fan;

(52) **U.S. Cl.** ..... **D23/382**

FIG. 2 is a front view thereof;

(58) **Field of Classification Search** ..... D23/382,  
D23/381, 332, 370, 411, 412; 416/246 R,  
416/247 R, 244 R

FIG. 3 is a back view thereof;

FIG. 4 is a left side view thereof;

See application file for complete search history.

FIG. 5 is a right side view thereof;

FIG. 6 is a top view thereof; and,

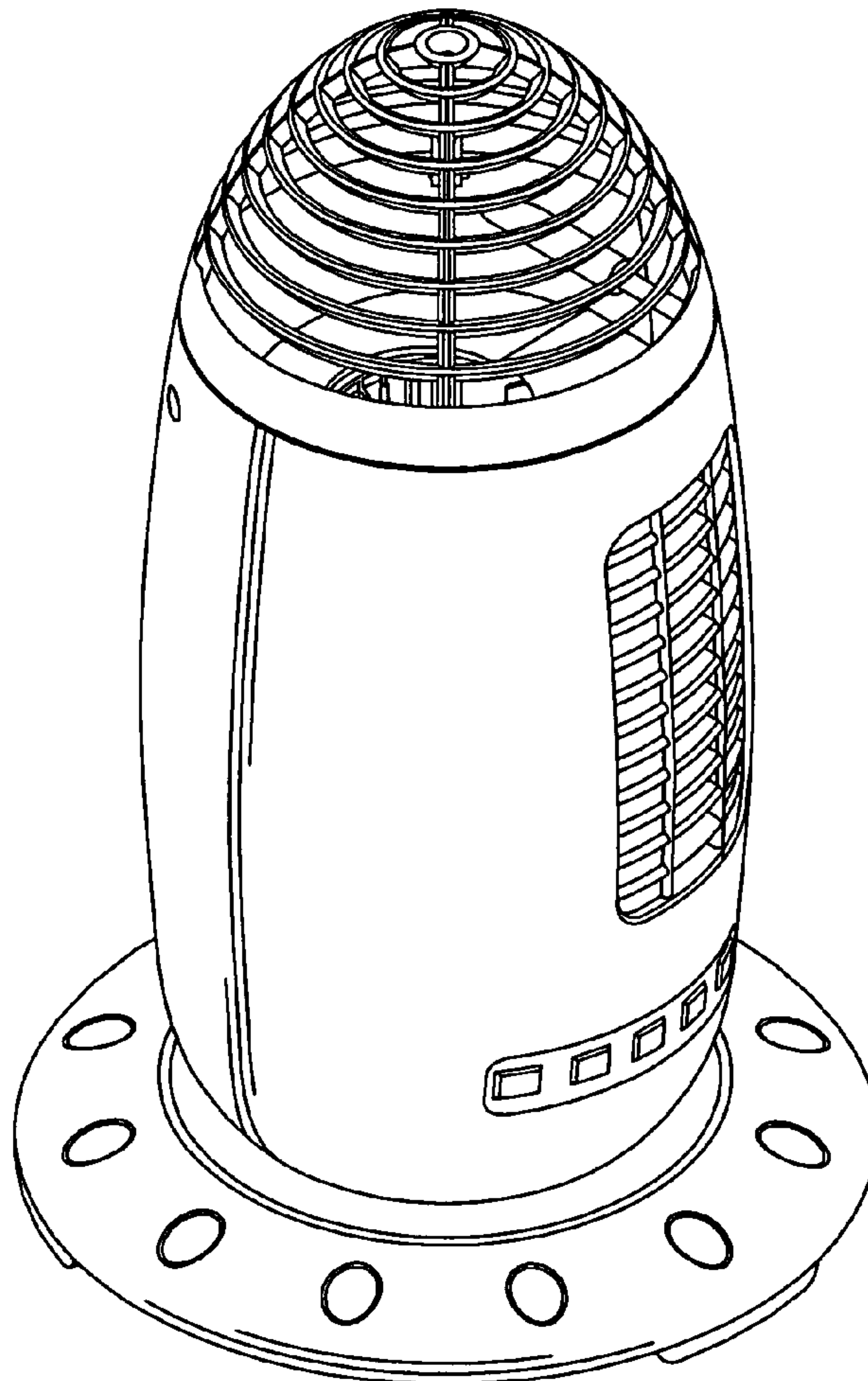
FIG. 7 is a bottom view thereof.

(56) **References Cited**

**U.S. PATENT DOCUMENTS**

2,420,209 A \* 5/1947 Strom ..... 417/424.2

**1 Claim, 7 Drawing Sheets**



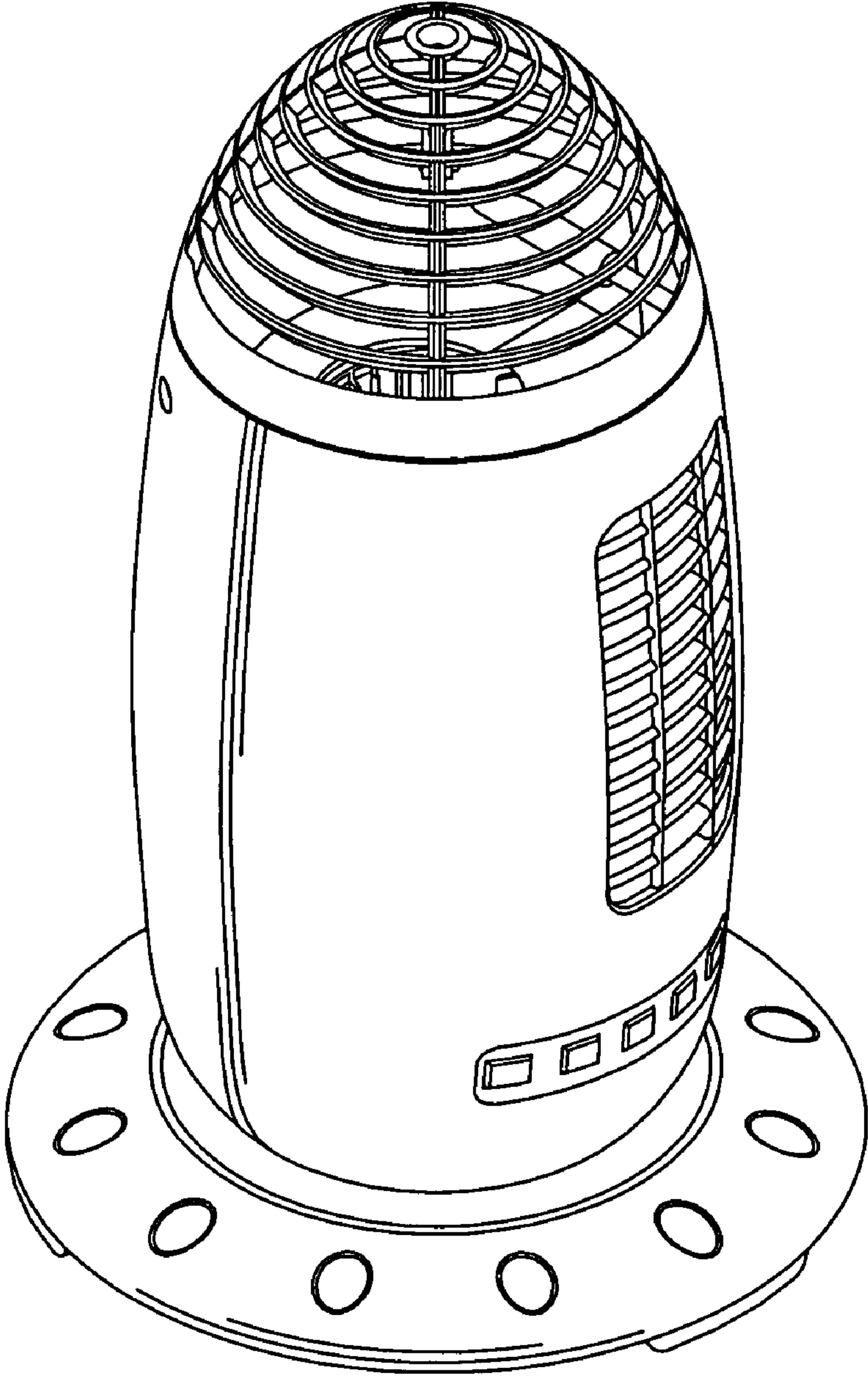


Fig. 1

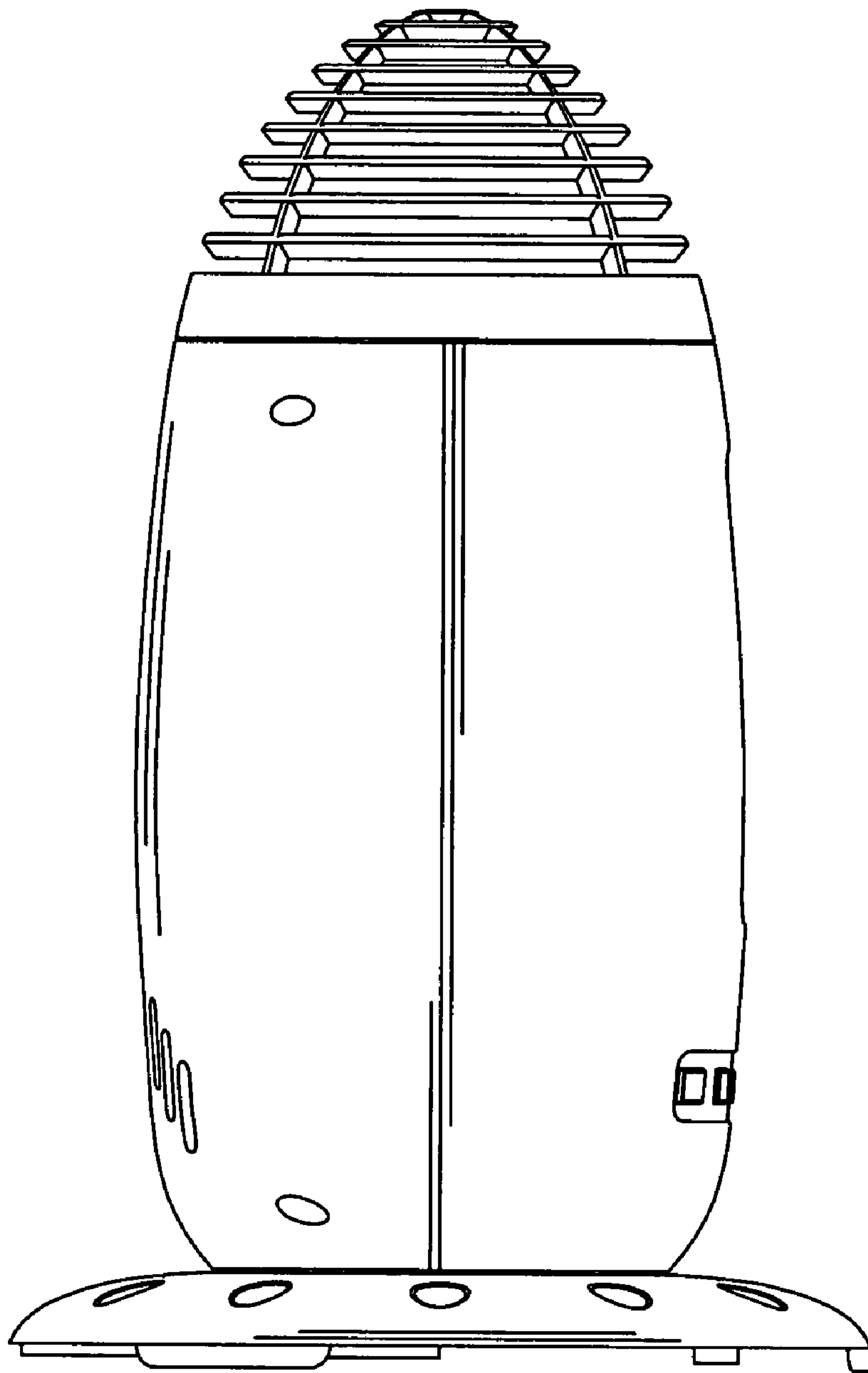


Fig. 2

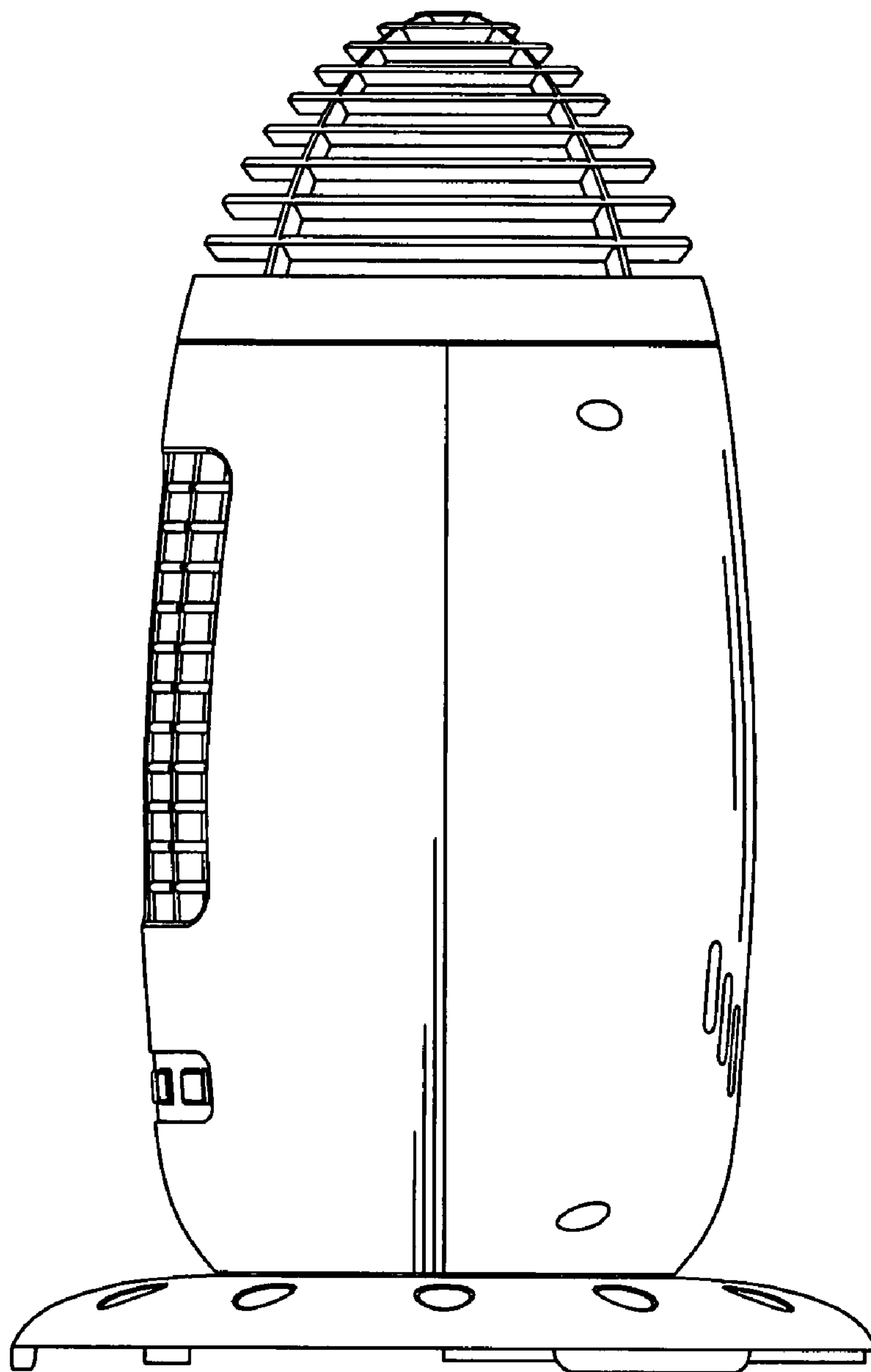


Fig. 3

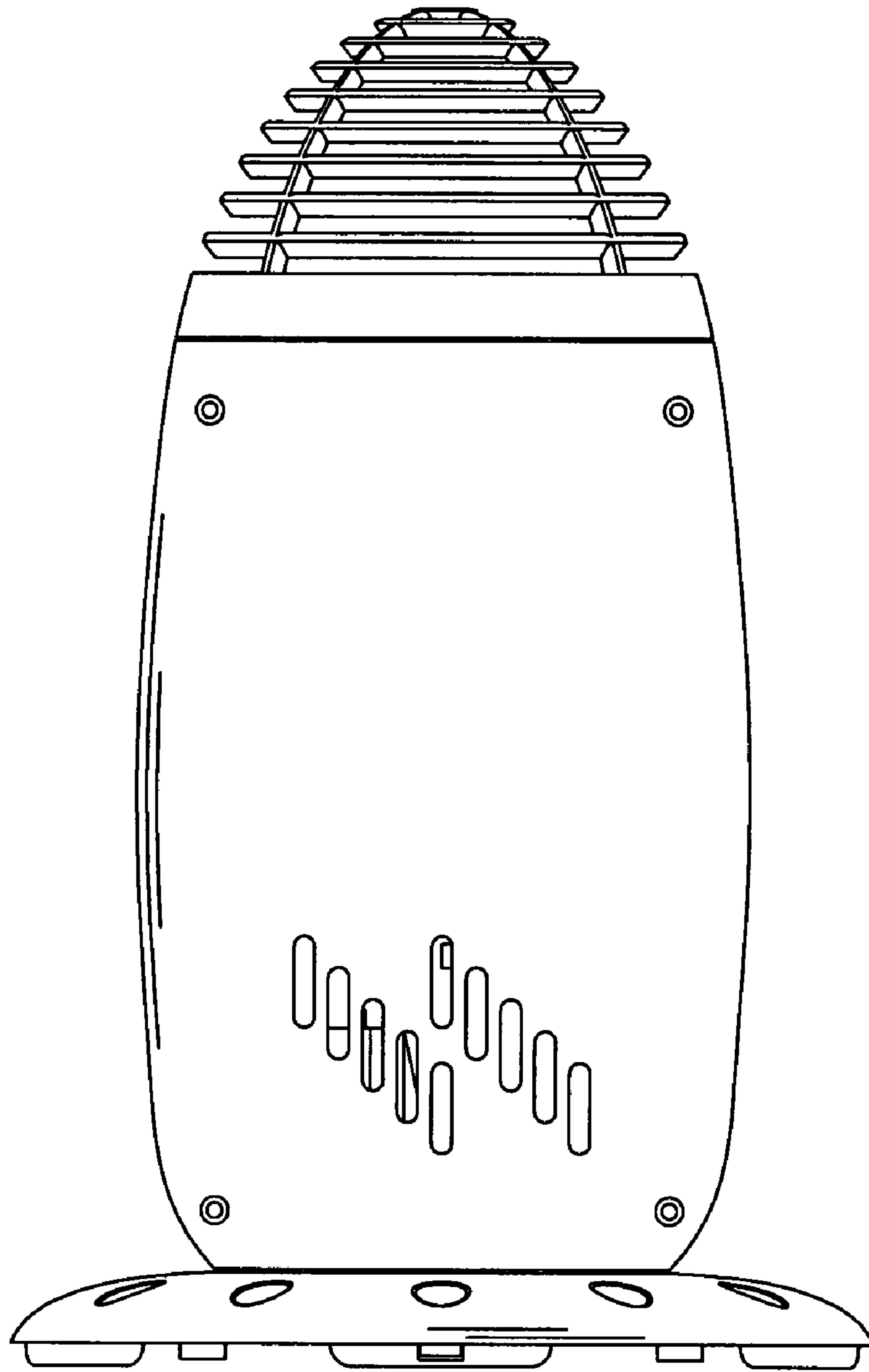


Fig. 4

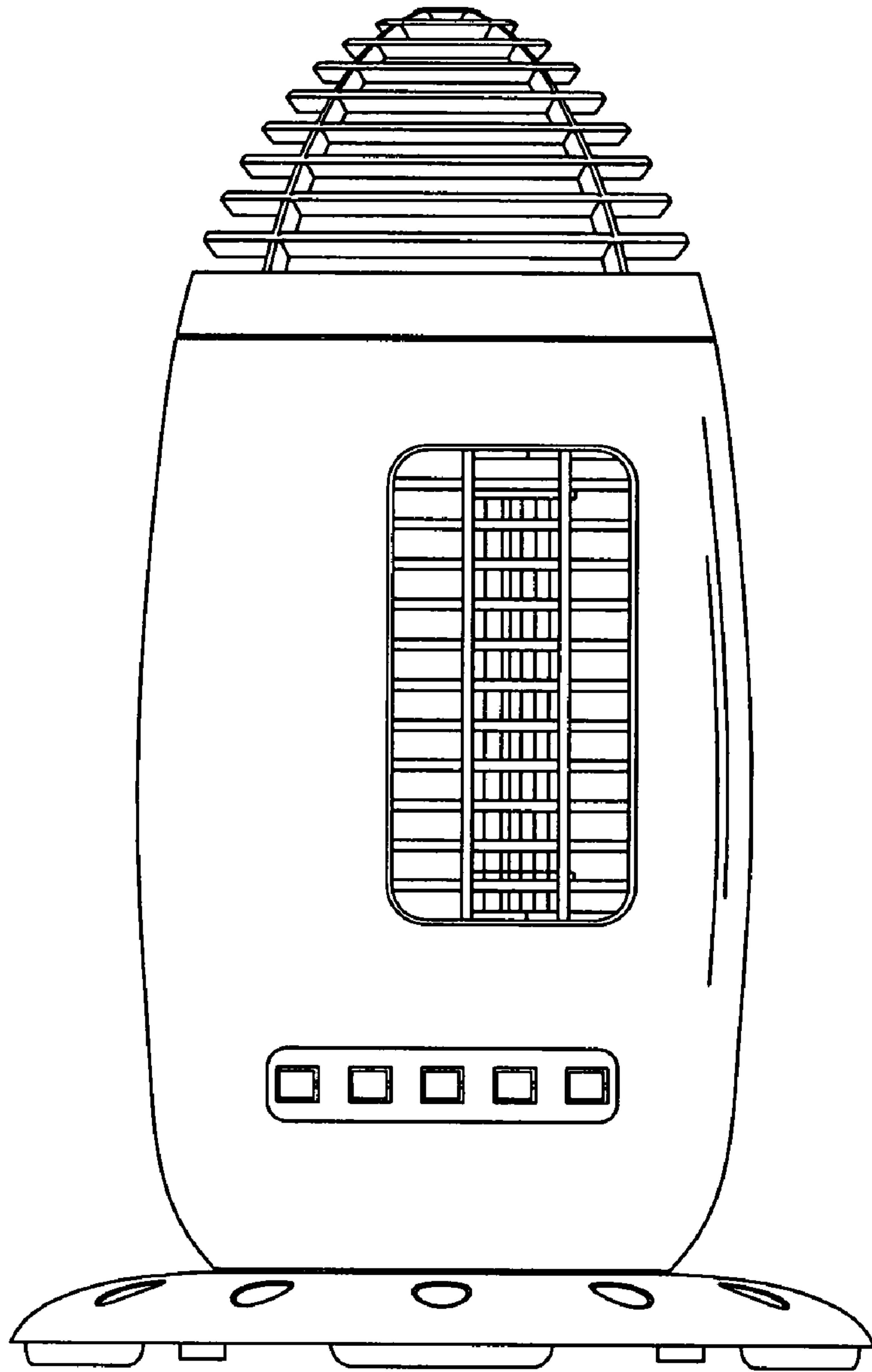


Fig. 5

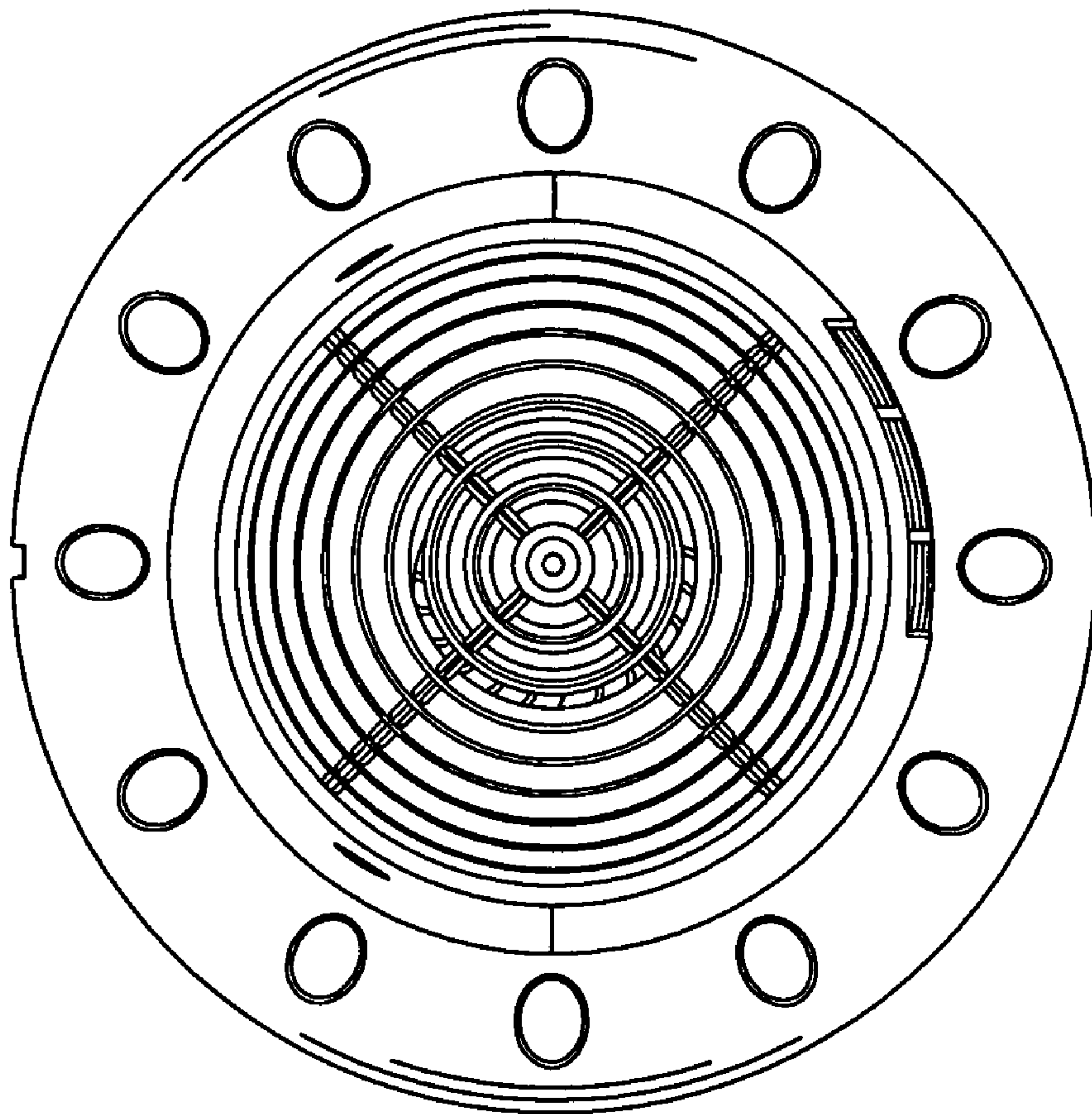


Fig. 6



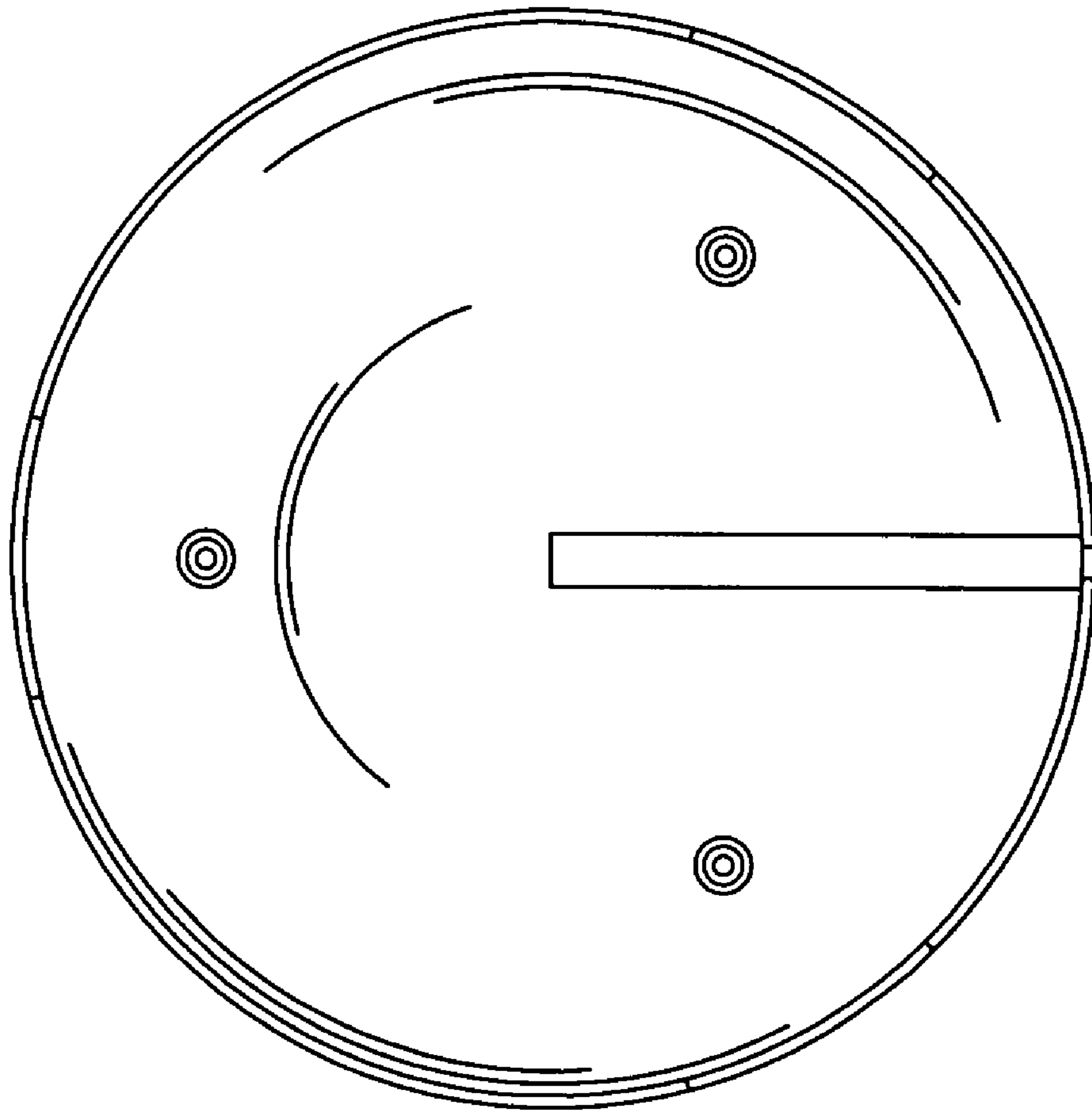


Fig. 7