

US00D577807S

(12) **United States Design Patent**  
**Kenyon et al.**

(10) **Patent No.:** **US D577,807 S**

(45) **Date of Patent:** **\*\* Sep. 30, 2008**

(54) **IMPELLER**

(75) Inventors: **Barton John Kenyon**, Ashfield (AU);  
**Nicholas Jerome Reed**, Mount Colah  
(AU); **Ian Malcolm Smith**, Westleigh  
(AU)

(73) Assignee: **ResMed Limited**, Bella Vista (AU)

(\*\*) Term: **14 Years**

(21) Appl. No.: **29/274,507**

(22) Filed: **Apr. 27, 2007**

(51) **LOC (8) Cl.** ..... **23-04**

(52) **U.S. Cl.** ..... **D23/379; D24/110**

(58) **Field of Classification Search** ..... D24/110,  
D24/164; 128/200.24, 204.18, 203.12, 204.23,  
128/204.21, 204.25, 204.17, 204.16; 417/423.7,  
417/427.12, 423.14, 423.1, 360; 416/3, 10,  
416/185, 188, 223 B; 415/10; D23/370,  
D23/379, 411

See application file for complete search history.

(56) **References Cited**

**U.S. PATENT DOCUMENTS**

2,465,671	A *	3/1949	Van Millingen et al. ....	416/188
3,159,106	A *	12/1964	Schumbacker et al. ..	416/186 R
4,767,285	A	8/1988	Jyoraku et al.	
D314,844	S *	2/1991	Baharad .....	D24/110
D355,253	S	2/1995	Jansen et al.	
5,875,783	A *	3/1999	Kullik .....	128/204.18
5,893,705	A	4/1999	Khan et al.	
D427,675	S *	7/2000	Hansel .....	D24/110
6,095,776	A	8/2000	Maki	
6,210,116	B1	4/2001	Kuczaj et al.	
6,220,819	B1	4/2001	Chien et al.	
D443,281	S *	6/2001	Sodergard .....	D15/7

(Continued)

**FOREIGN PATENT DOCUMENTS**

DE 10035404 2/2002

EP	0295455	12/1988
WO	WO 2004/108198	12/2004
WO	WO 2004/112873	12/2004
WO	WO 2007/048205	5/2007

**OTHER PUBLICATIONS**

U.S. Appl. No. 29/274,505, filed Apr. 27, 2007.  
U.S. Appl. No. 29/274,506, filed Apr. 27, 2007.  
U.S. Appl. No. 29/274,504, filed Apr. 27, 2007.  
International Search Report, Appln. No. PCT/AU2006/001617, Jan.  
5, 2007.  
U.S. Appl. No. 29/106,701.

*Primary Examiner*—Ian Simmons  
*Assistant Examiner*—Wan Laymon  
(74) *Attorney, Agent, or Firm*—Nixon & Vanderhye P.C.

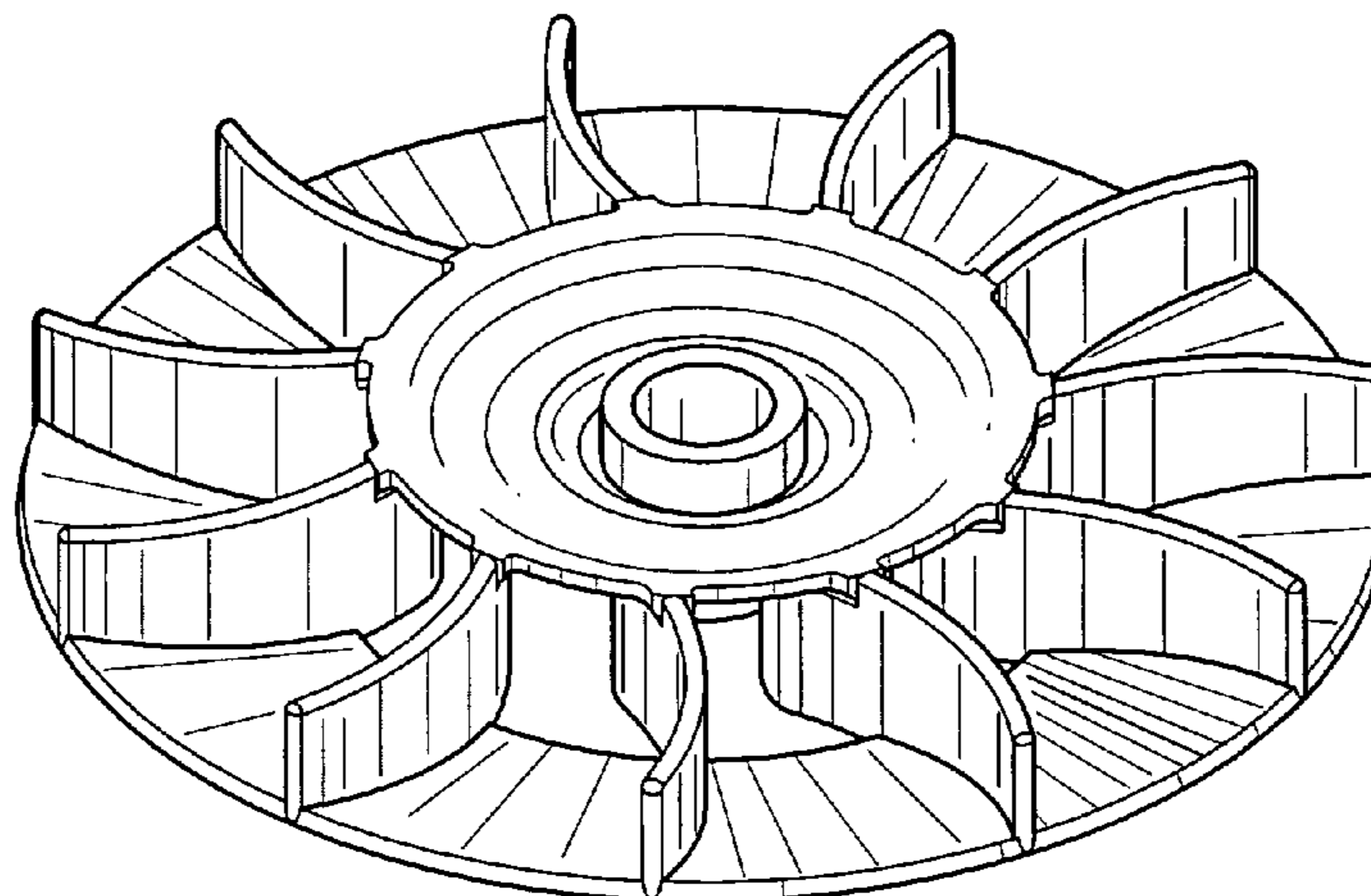
(57) **CLAIM**

The ornamental design for an impeller, as shown.

**DESCRIPTION**

FIG. 1 is a front perspective view of an impeller according to a first embodiment of our design;  
FIG. 2 is a front view thereof;  
FIG. 3 is a rear view thereof;  
FIG. 4 is a top view thereof;  
FIG. 5 is a bottom view thereof;  
FIG. 6 is a right side view thereof;  
FIG. 7 is a left side view thereof;  
FIG. 8 is a front perspective view of an impeller according to a second embodiment of our design;  
FIG. 9 is a front view thereof;  
FIG. 10 is a rear view thereof;  
FIG. 11 is a top view thereof;  
FIG. 12 is a bottom view thereof;  
FIG. 13 is a right side view thereof; and,  
FIG. 14 is a left side view thereof.

**1 Claim, 6 Drawing Sheets**



# US D577,807 S

Page 2

## U.S. PATENT DOCUMENTS

6,296,459	B1 *	10/2001	Saputo et al. ....	417/423.14	D544,598	S *	6/2007	Lithgow et al. ....	D24/110
6,357,463	B1 *	3/2002	Wickham et al. ....	137/12	D560,795	S *	1/2008	Lithgow et al. ....	D24/110
6,371,738	B2 *	4/2002	Jones .....	417/363	2001/0014290	A1	8/2001	Takura et al.	
6,418,927	B1 *	7/2002	Kullik .....	128/204.18	2003/0168064	A1	9/2003	Daly et al.	
D468,011	S *	12/2002	Lithgow et al. ....	D24/110	2003/0190242	A1 *	10/2003	Anderson .....	417/362
6,622,724	B1	9/2003	Truitt		2004/0071552	A1 *	4/2004	Truitt et al. ....	416/223 A
D497,203	S *	10/2004	Lithgow et al. ....	D24/110	2004/0136848	A1 *	7/2004	Marioni .....	417/423.7
6,881,033	B2	4/2005	Makinson		2005/0036887	A1	2/2005	Nadjafizadeh	
7,012,346	B2 *	3/2006	Hoffman et al. ....	310/43	2005/0247314	A1 *	11/2005	Virr et al. ....	128/203.16
7,165,938	B2 *	1/2007	Lee et al. ....	415/206	2006/0138878	A1 *	6/2006	Hoffman et al. ....	310/43
7,210,226	B2 *	5/2007	Makinson et al. ....	29/889.23	2007/0125386	A1 *	6/2007	Quinn .....	128/207.11
					2007/0134085	A1 *	6/2007	Daly et al. ....	415/198.1

\* cited by examiner

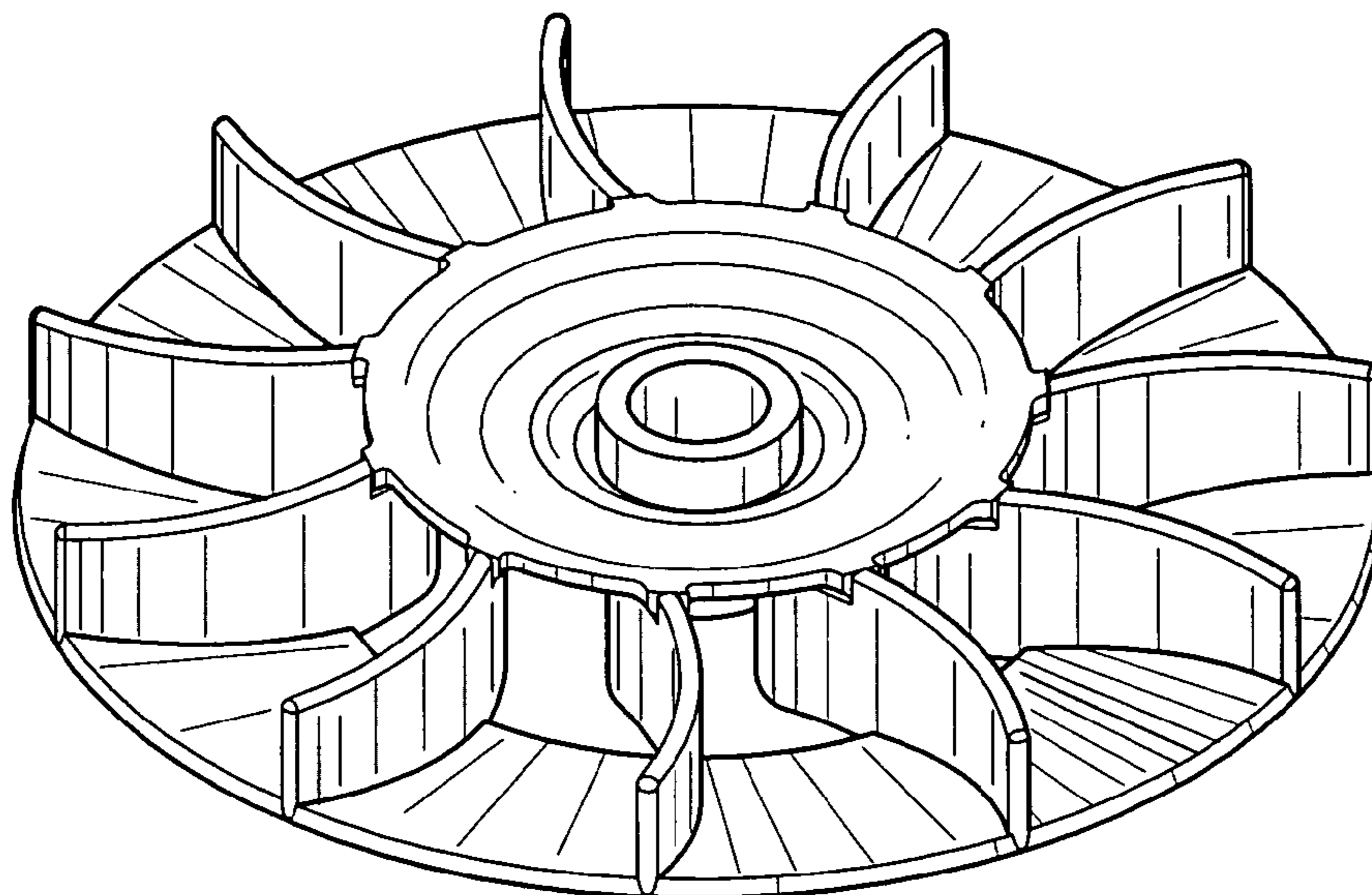


FIG. 1

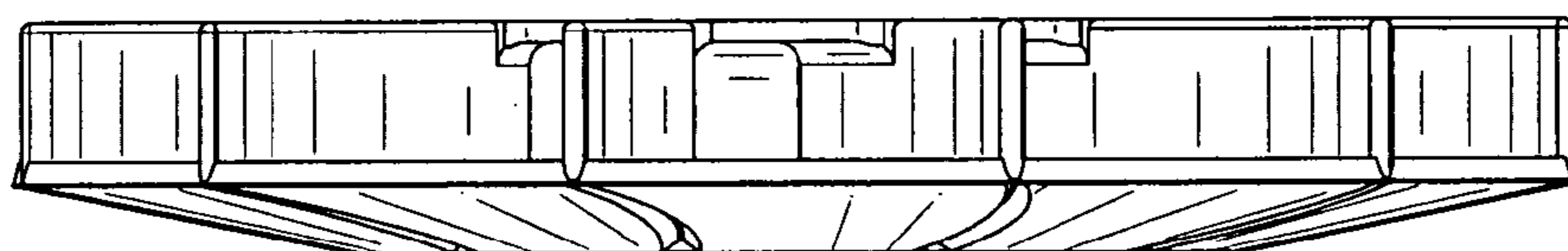


FIG. 2

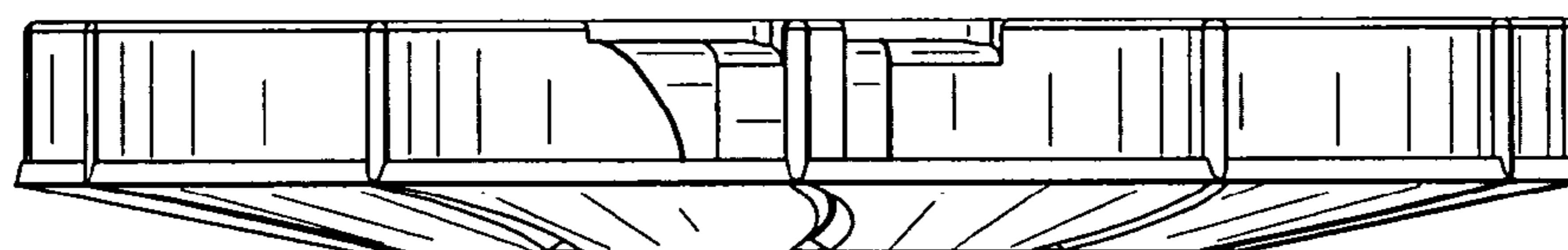


FIG. 3

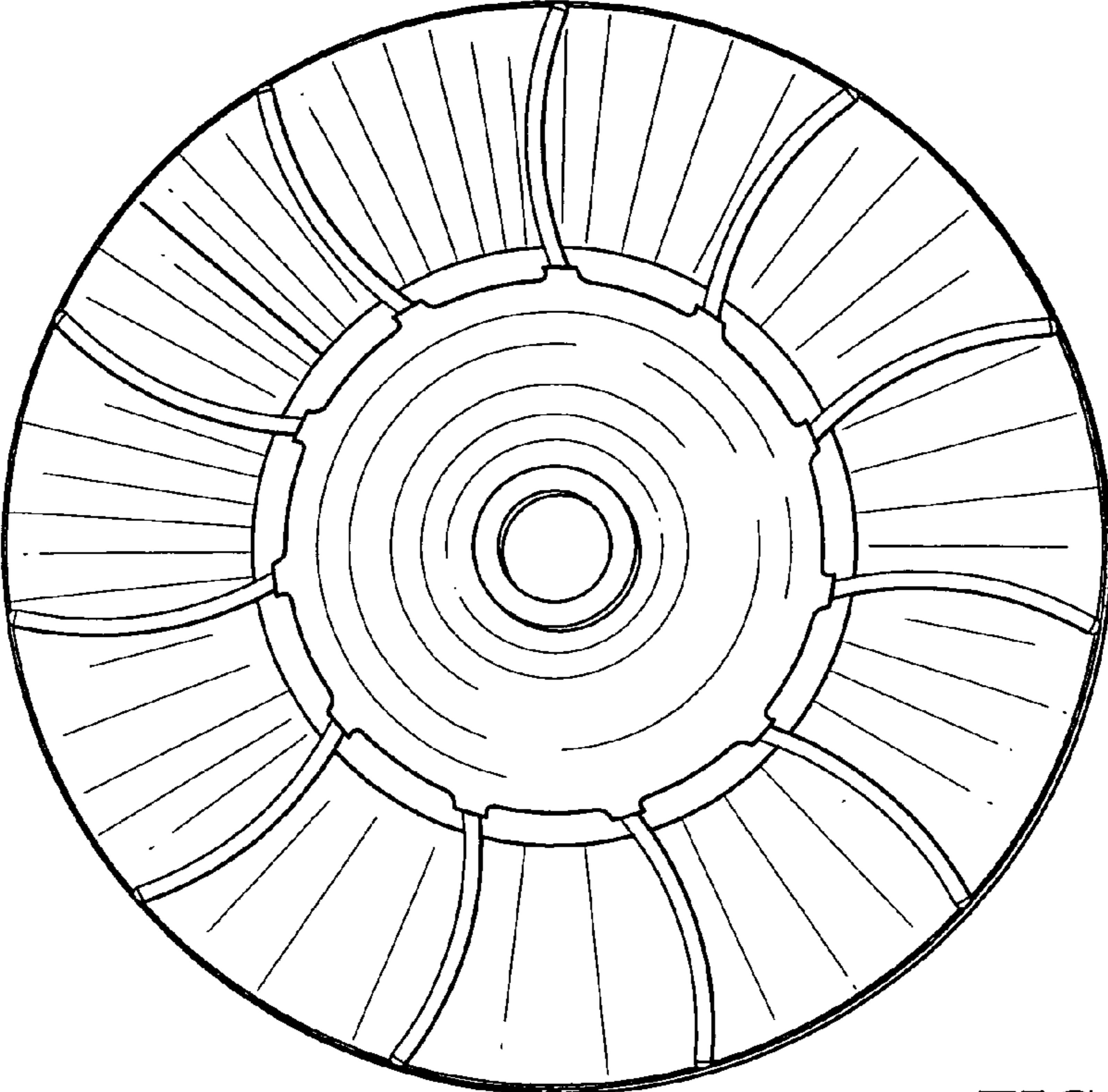


FIG. 4

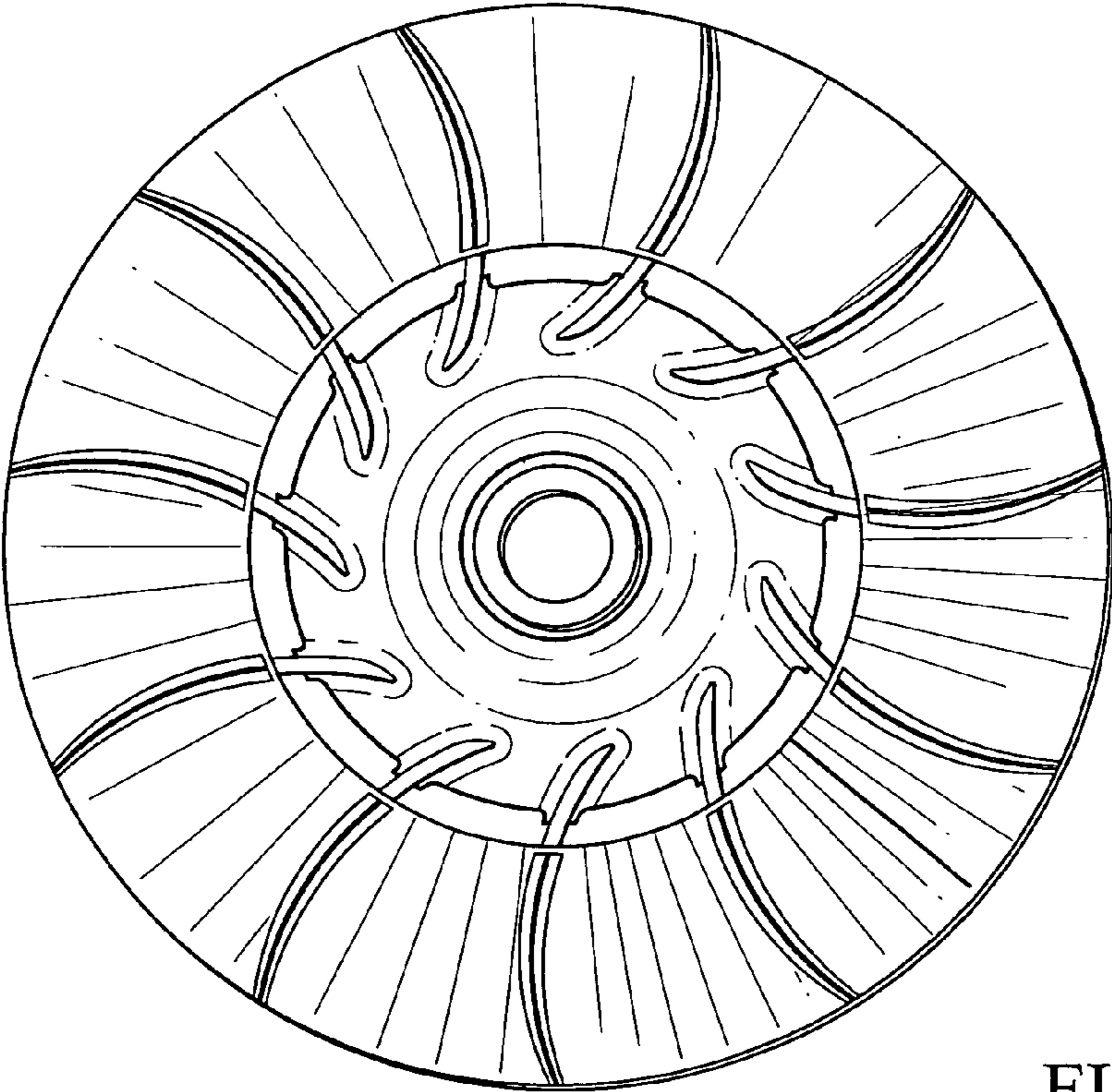


FIG. 5

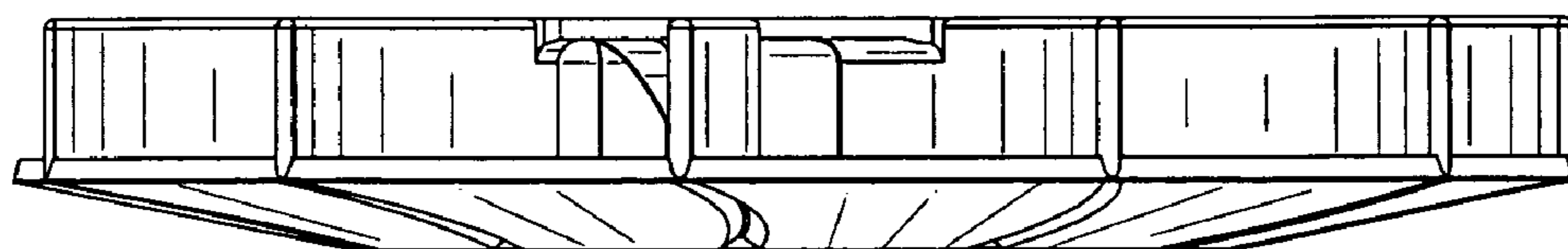


FIG. 6

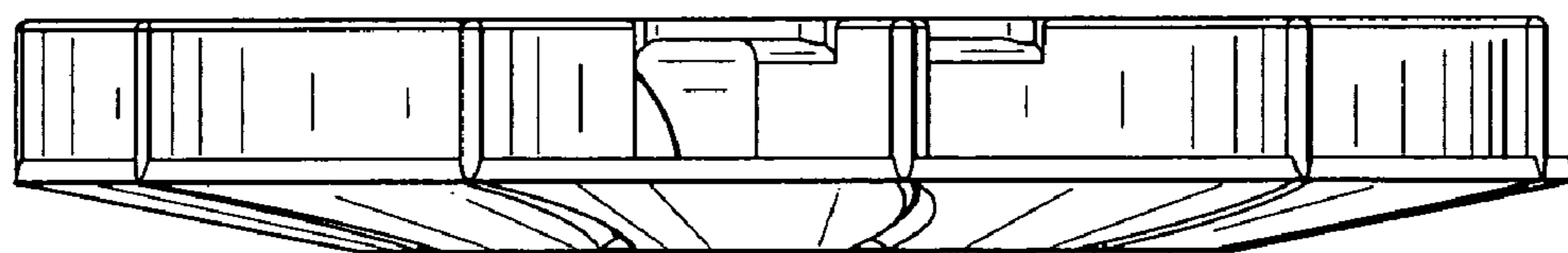


FIG. 7

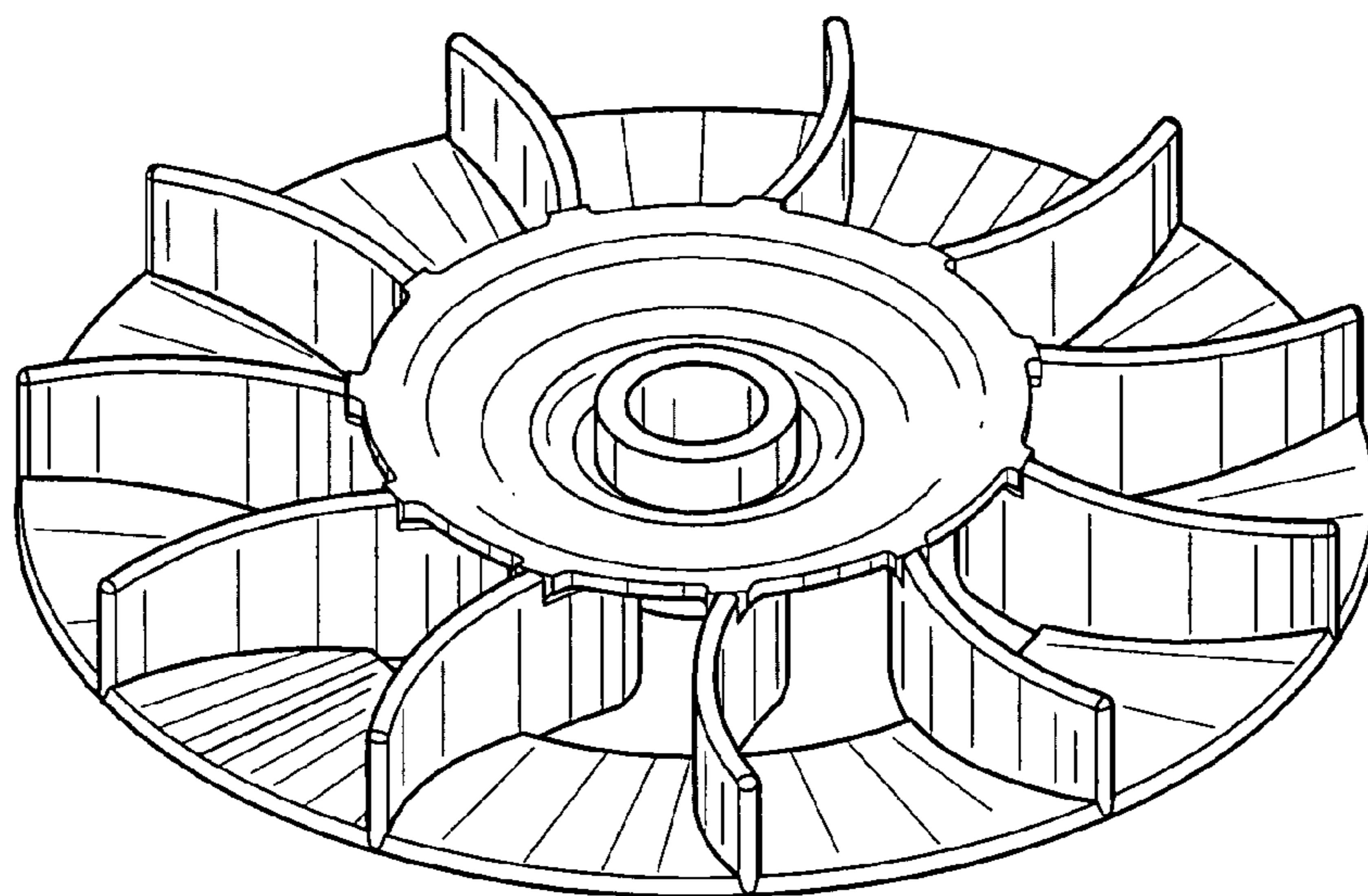


FIG. 8

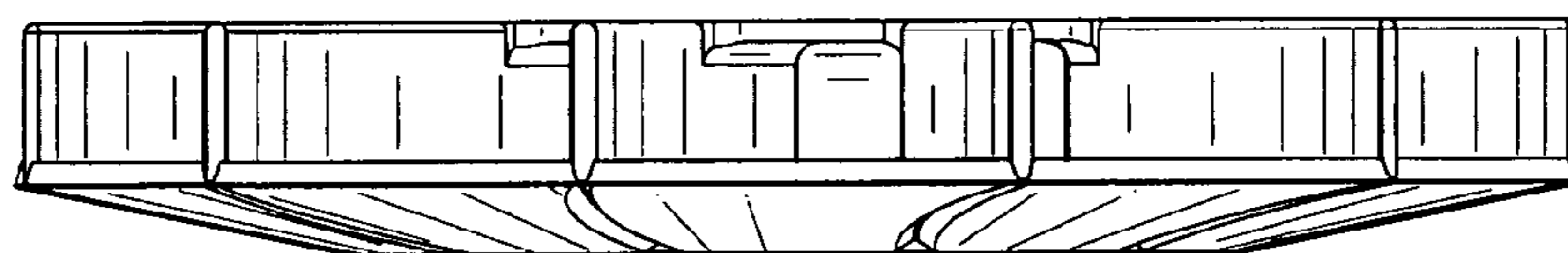


FIG. 9

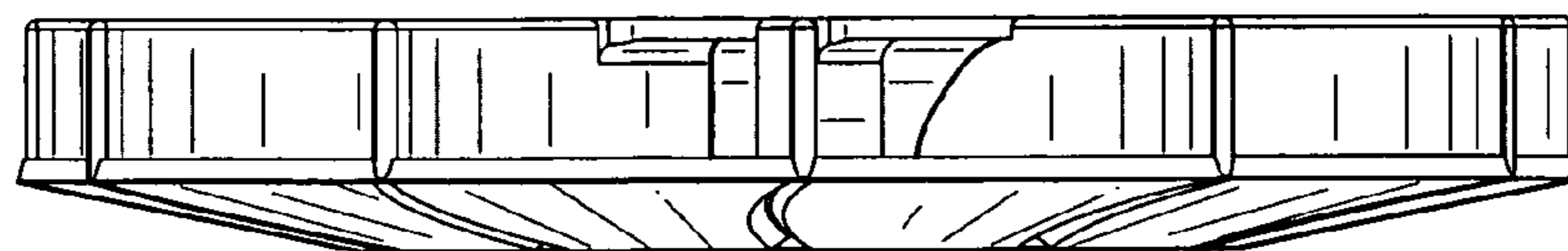


FIG. 10

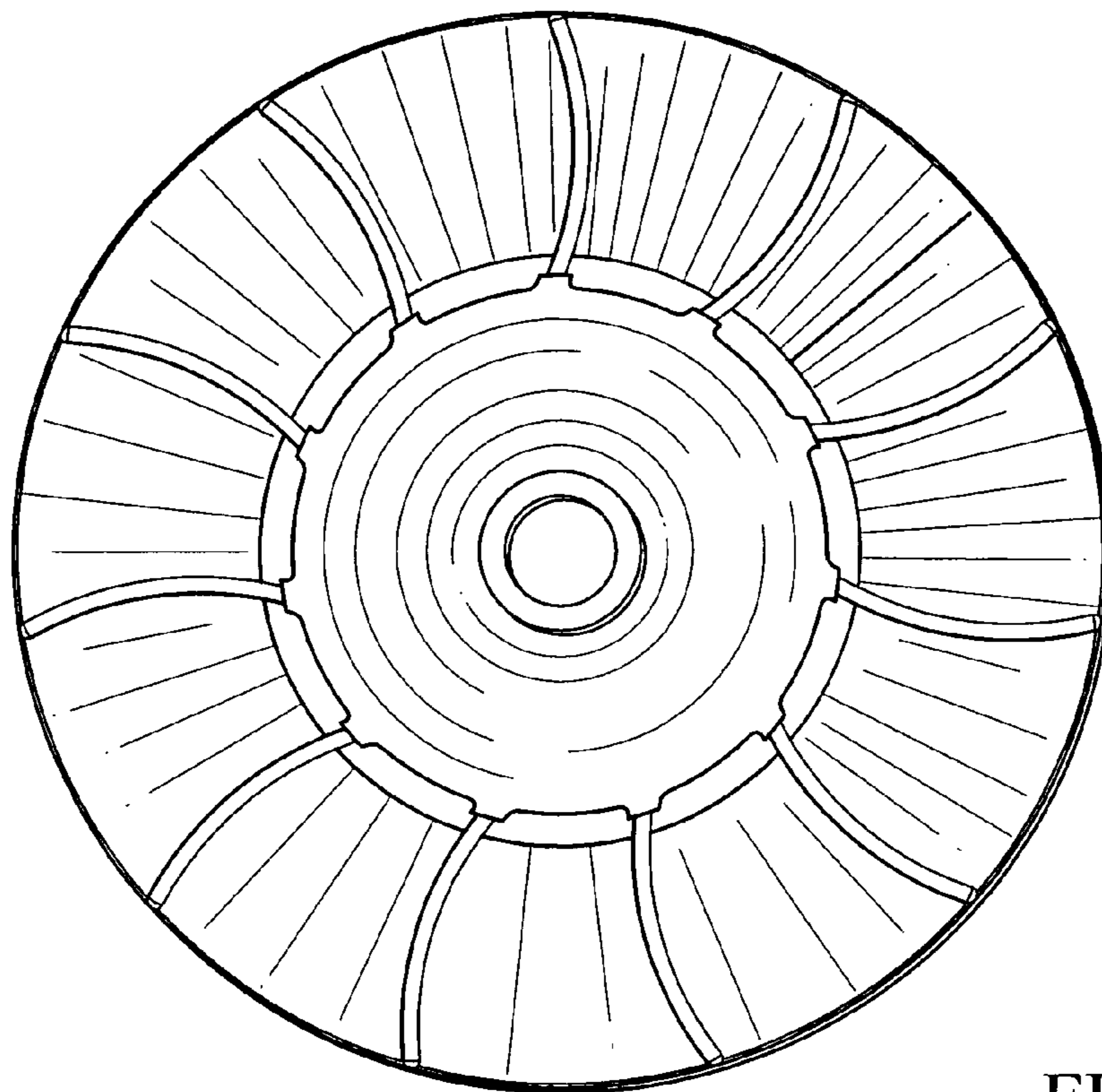


FIG. 11

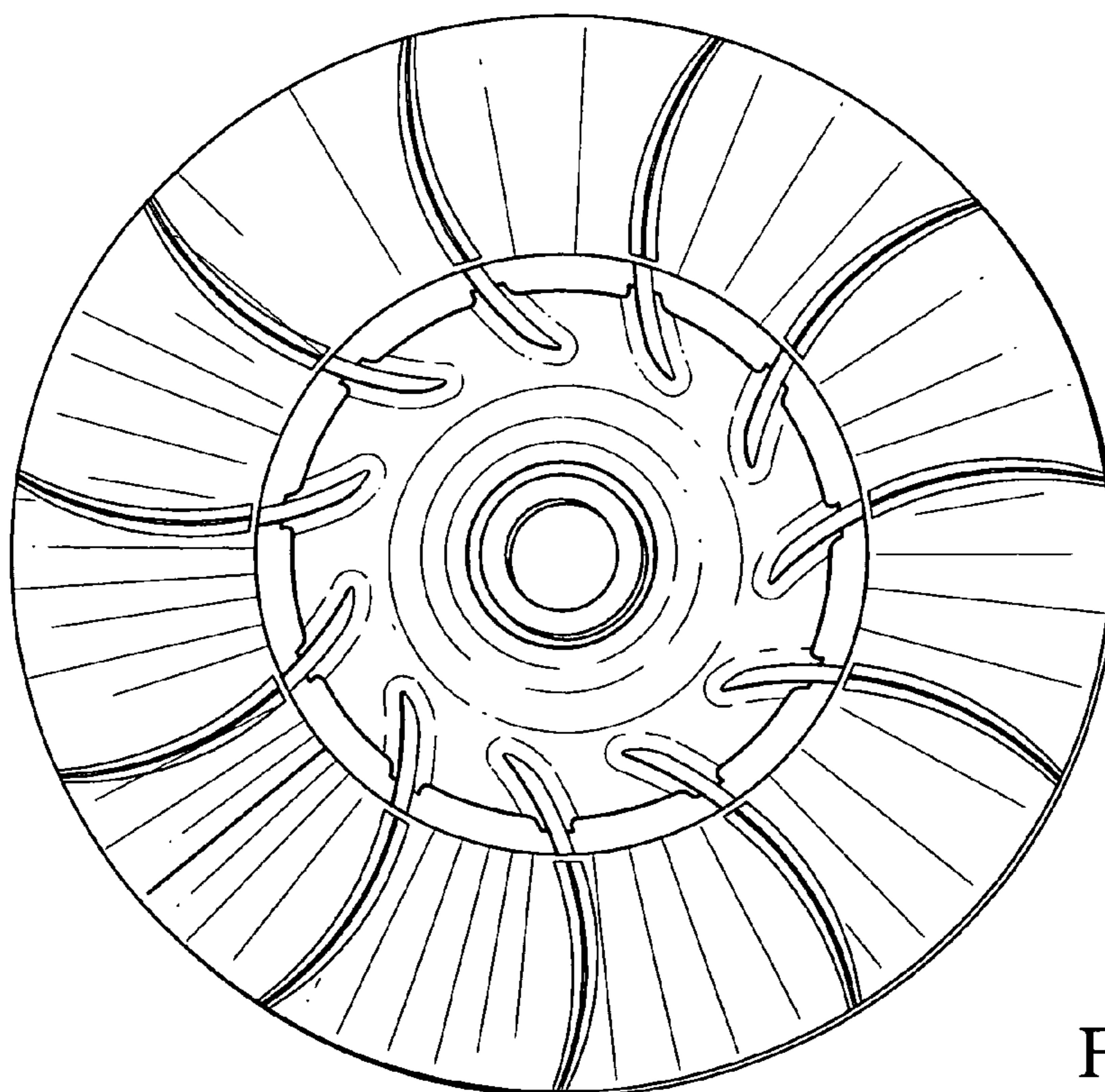


FIG. 12

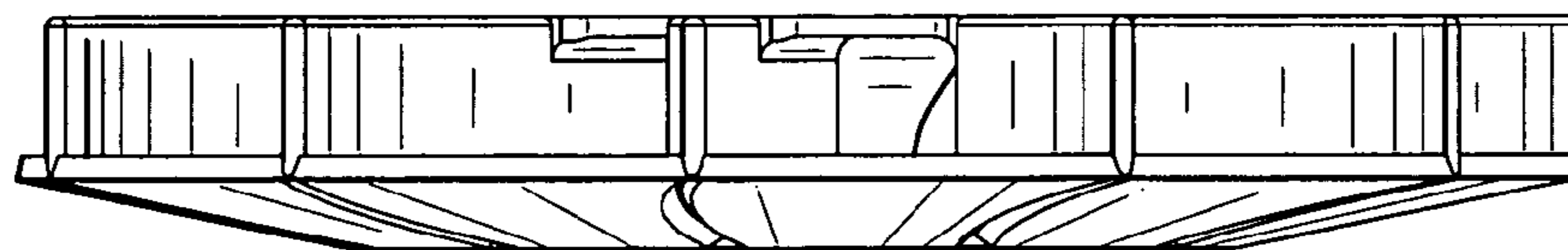


FIG. 13

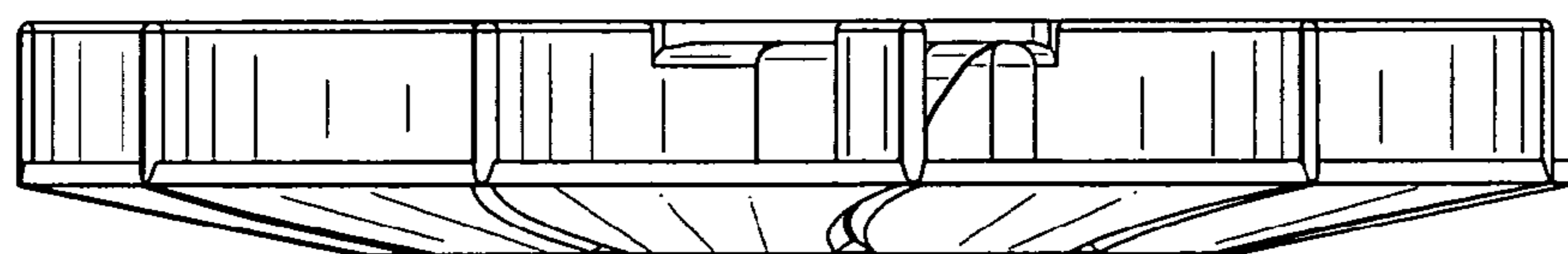


FIG. 14



UNITED STATES PATENT AND TRADEMARK OFFICE  
**CERTIFICATE OF CORRECTION**

PATENT NO. : Des. 577,807 S  
APPLICATION NO. : 29/274507  
DATED : September 30, 2008  
INVENTOR(S) : Kenyon et al.

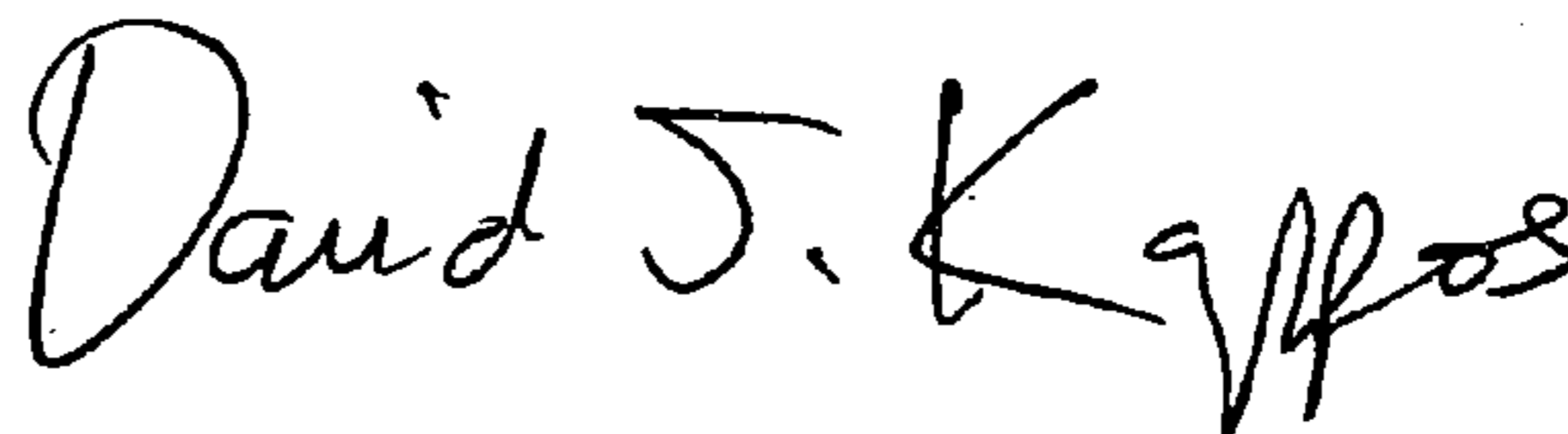
Page 1 of 1

It is certified that error appears in the above-identified patent and that said Letters Patent is hereby corrected as shown below:

On the Title page, Item (63) Related Application Data should read  
-- [63] Continuation-in-part of PCT Application No. PCT/AU2006/001617, filed  
October 27, 2006. --.

Signed and Sealed this

Eleventh Day of August, 2009



David J. Kappos  
*Director of the United States Patent and Trademark Office*