



US00D577805S

(12) **United States Design Patent**  
**Adrian et al.**

(10) **Patent No.:** **US D577,805 S**

(45) **Date of Patent:** **\*\* Sep. 30, 2008**

(54) **GRILLE**

(75) Inventors: **John R. Adrian**, Oshkosh, WI (US);  
**Brent E. Coffey**, Pewaukee, WI (US);  
**Jesse Allen Hollingsworth**, West Bend,  
WI (US); **Kenneth J. Jonas**, Mequon,  
WI (US); **David L. Pringle**, Waukesha,  
WI (US)

3,045,579 A 7/1962 Jenn et al.  
3,064,548 A 11/1962 Field  
3,075,335 A 1/1963 Bandlow  
3,101,662 A 8/1963 Alldritt  
3,211,080 A 10/1965 Rader  
3,212,425 A 10/1965 Hazen

(Continued)

(73) Assignee: **Broan-NuTone LLC**, Hartford, WI (US)

(\*\*) Term: **14 Years**

(21) Appl. No.: **29/299,680**

(22) Filed: **Jan. 2, 2008**

(51) **LOC (8) Cl.** ..... **23-04**

(52) **U.S. Cl.** ..... **D23/371**

(58) **Field of Classification Search** ..... D23/371,  
D23/385, 370, 388; 454/349, 354

See application file for complete search history.

(56) **References Cited**

U.S. PATENT DOCUMENTS

1,030,028 A 6/1912 Stampahar et al.  
1,395,833 A 11/1921 Kling et al.  
1,532,635 A 4/1925 Osburn  
1,895,642 A 1/1933 Preble  
1,941,450 A 1/1934 Sylvan  
2,019,867 A 11/1935 Nelson  
2,108,283 A 2/1938 Drew et al.  
2,220,127 A 11/1940 Slayter  
2,278,581 A 4/1942 Dexter  
2,325,657 A 8/1943 Burkness  
2,483,377 A 9/1949 Young  
2,668,491 A 2/1954 Gerlitz  
2,673,514 A 3/1954 Hanks  
2,710,573 A 6/1955 Marker  
2,780,981 A 2/1957 Miller  
2,875,678 A 3/1959 Sheperd  
2,911,900 A 11/1959 Rudy  
2,963,956 A 12/1960 Hill  
2,987,258 A 6/1961 North  
3,002,676 A 10/1961 Papsdorf

FOREIGN PATENT DOCUMENTS

BE 648597 9/1964

(Continued)

OTHER PUBLICATIONS

Photographs of Panasonic Ventilating Fan, Model FV-11.VHL1,  
available prior to Jan. 2, 2008, 3 pages.

(Continued)

*Primary Examiner*—Lisa P Lichtenstein

(74) *Attorney, Agent, or Firm*—Michael Best & Friedrich  
LLP

(57) **CLAIM**

We claim the ornamental design for a grille, as shown and  
described.

**DESCRIPTION**

FIG. 1 is a bottom perspective view of a grille according to  
some embodiments of the present invention.

FIG. 2 is a bottom view of the grille shown in FIG. 1.

FIG. 3 is a left side view of the grille shown in FIG. 1.

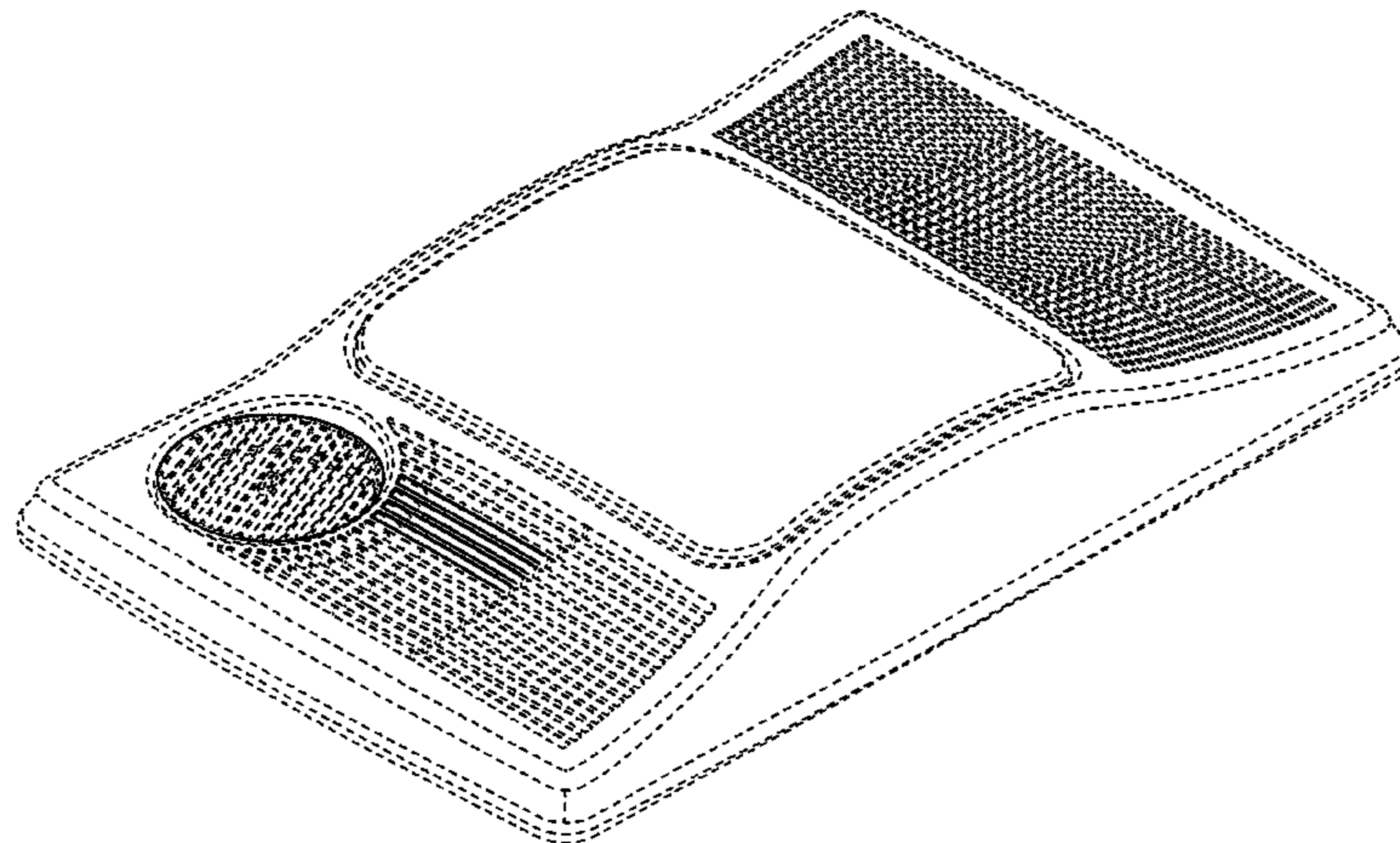
FIG. 4 is a right side view of the grille shown in FIG. 1.

FIG. 5 is a front view of the grille shown in FIG. 1; and,

FIG. 6 is a rear view of the grille shown in FIG. 1.

The broken line showing of portions of the grille is included  
for the purpose of illustrating environmental structure and  
forms no part of the claimed design.

**1 Claim, 4 Drawing Sheets**



# US D577,805 S

Page 2

## U.S. PATENT DOCUMENTS

3,249,037 A 5/1966 Stalker  
3,250,063 A 5/1966 Andrews  
3,276,597 A 10/1966 Mesek et al.  
3,391,689 A 7/1968 Roger  
3,438,180 A 4/1969 Klouda  
3,577,710 A 5/1971 Feldman  
3,606,593 A 9/1971 Steiner  
3,630,007 A 12/1971 Neumann  
3,665,838 A 5/1972 Shepherd  
3,698,833 A 10/1972 Cann et al.  
3,732,030 A 5/1973 Mullings  
3,743,439 A 7/1973 Cann  
3,788,207 A 1/1974 Doherty, II  
3,861,894 A 1/1975 Marsh  
3,926,537 A 12/1975 Piper  
3,952,638 A 4/1976 Felter et al.  
4,073,597 A 2/1978 Barnhart et al.  
4,115,082 A 9/1978 Newell  
4,141,703 A 2/1979 Mulchi  
4,252,547 A 2/1981 Johnson  
4,319,898 A 3/1982 Maierhofer  
4,335,647 A 6/1982 Timmons  
4,336,749 A 6/1982 Barnhart et al.  
4,382,440 A 5/1983 Kapp et al.  
4,385,550 A 5/1983 Steiner et al.

4,385,911 A 5/1983 Popeil et al.  
4,406,216 A 9/1983 Hott et al.  
4,510,851 A 4/1985 Sarnosky et al.  
4,594,940 A 6/1986 Wolbrink et al.  
4,610,705 A 9/1986 Sarnosky et al.  
4,628,802 A 12/1986 Steiner et al.  
4,867,640 A 9/1989 Pelensky et al.  
5,879,232 A 3/1999 Luter, II et al.  
6,027,406 A 2/2000 Yazici  
6,261,175 B1 7/2001 Larson et al.  
6,488,579 B2 12/2002 Larson et al.  
D565,717 S \* 4/2008 Jacak et al. .... D23/371  
D567,352 S \* 4/2008 Hollingsworth et al. .... D23/388  
D567,932 S \* 4/2008 Hollingsworth et al. .... D23/388  
D568,460 S \* 5/2008 Jacak et al. .... D23/388  
D569,492 S \* 5/2008 Zakula et al. .... D23/388

## FOREIGN PATENT DOCUMENTS

FR 1234767 10/1960

## OTHER PUBLICATIONS

Spartan Electric Company, Direct Drive Whole House Fans Publication, available prior to Jan. 2, 2008.

Emerson Environmental Products, Whole House Fan and Shutter System Owners Manual, Dec. 1982.

\* cited by examiner

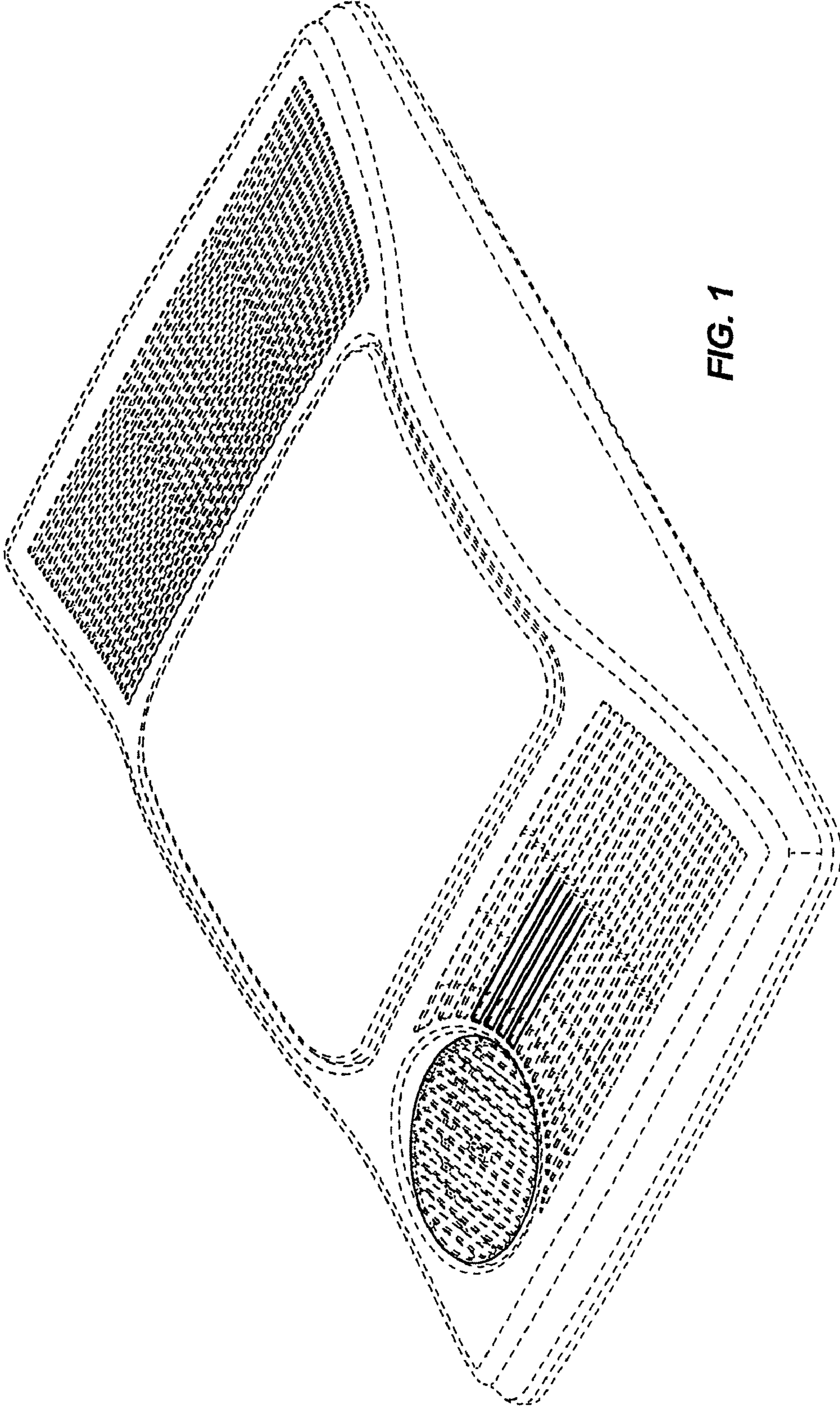


FIG. 1

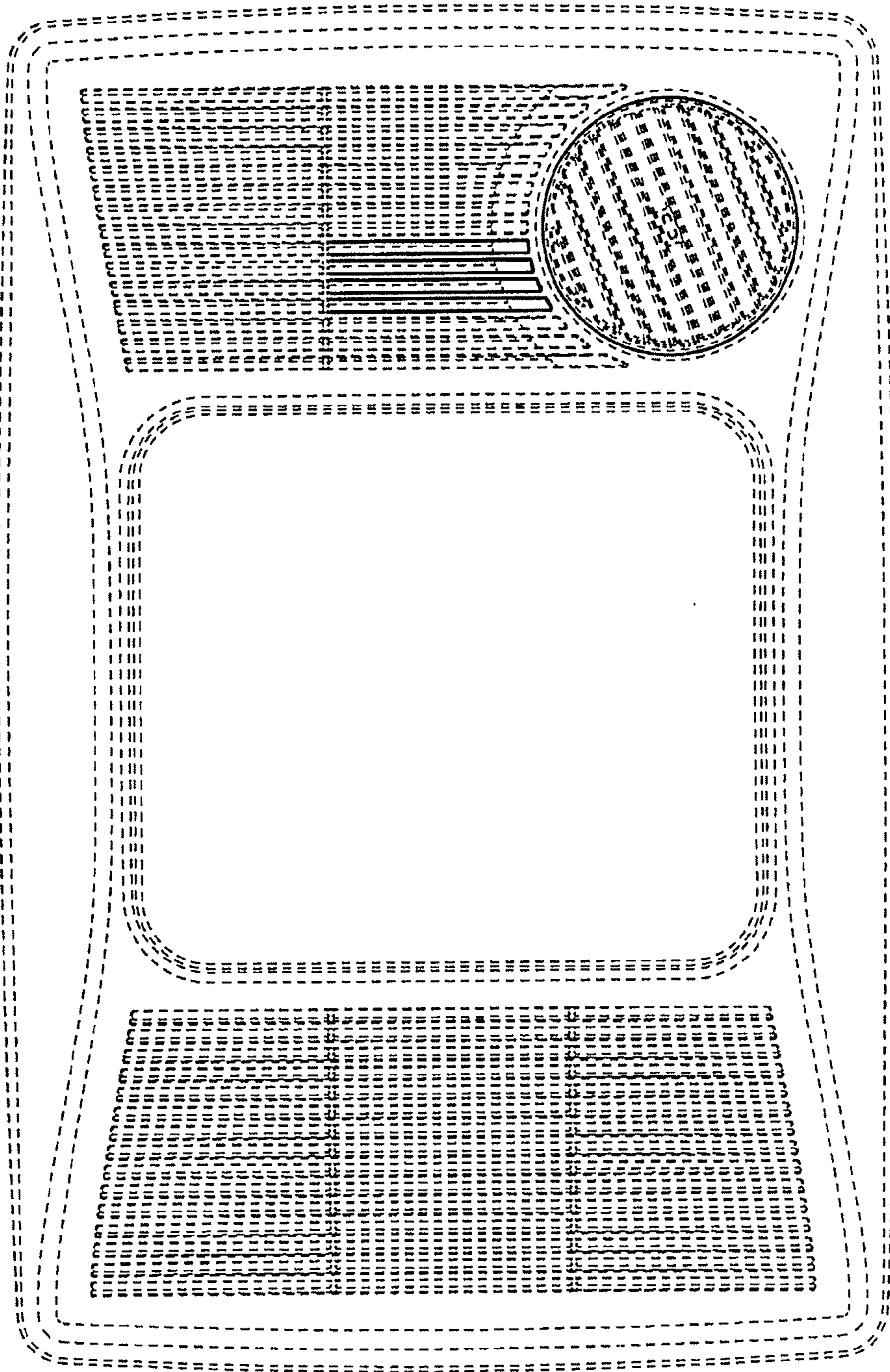


FIG. 2

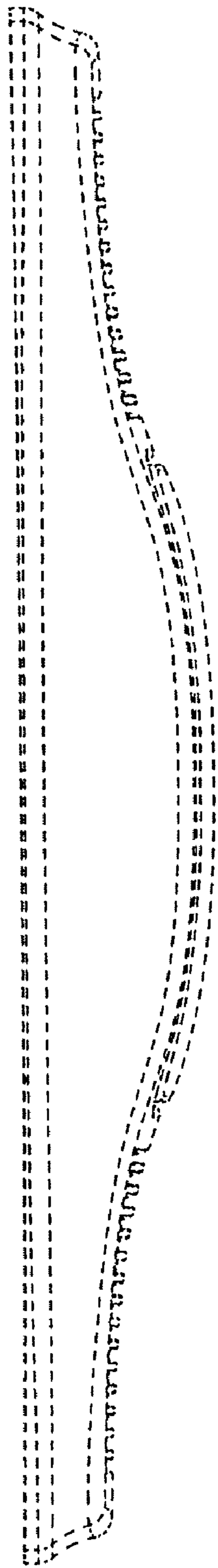


FIG. 3

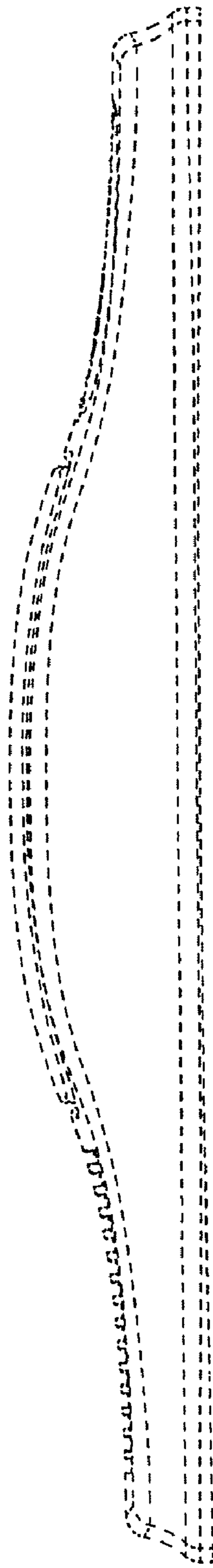


FIG. 4

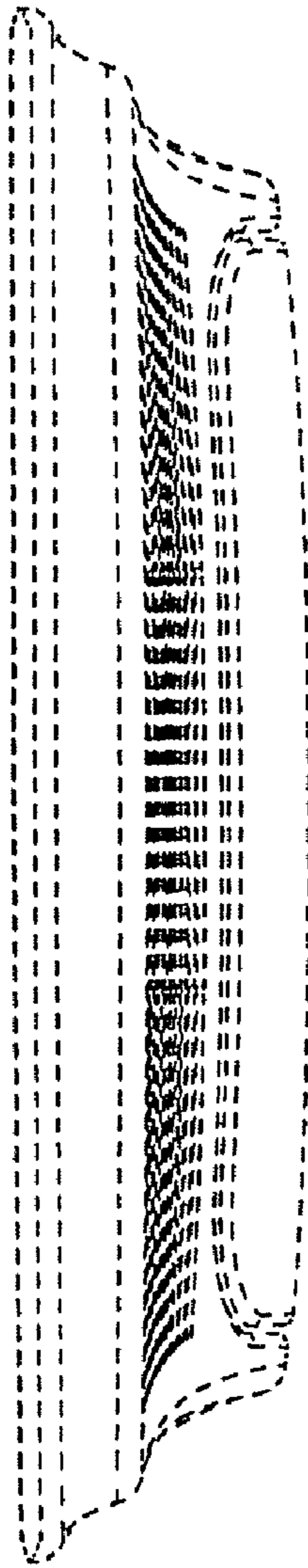


FIG. 5

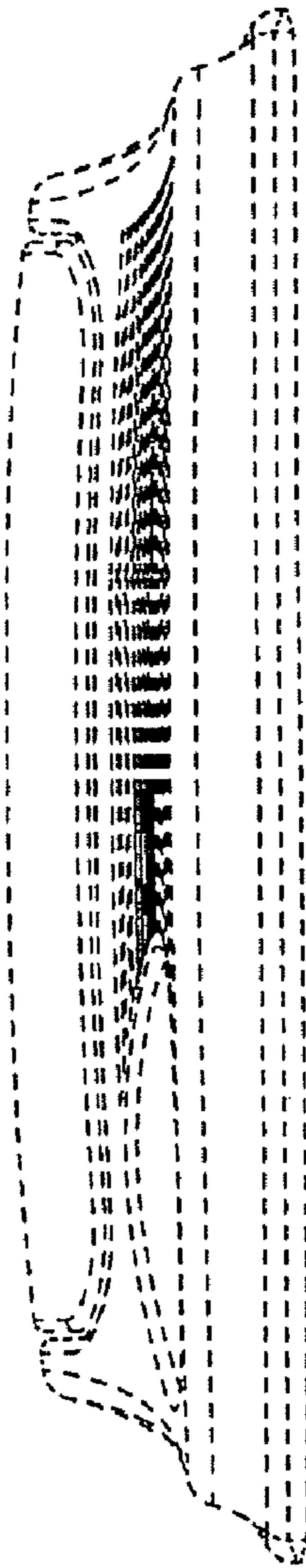


FIG. 6