



US00D577802S

(12) **United States Design Patent**
Barker et al.

(10) **Patent No.:** **US D577,802 S**

(45) **Date of Patent:** **** Sep. 30, 2008**

(54) **AIR PURIFIER**

(75) Inventors: **Robert A. Barker**, Berlin, MA (US);
Hratch Nerkizian, Boynton Beach, FL
(US)

(73) Assignee: **Sunbeam Products, Inc.**, Boca Raton,
FL (US)

(**) Term: **14 Years**

(21) Appl. No.: **29/297,987**

(22) Filed: **Nov. 26, 2007**

(51) **LOC (8) Cl.** **23-04**

(52) **U.S. Cl.** **D23/364**

(58) **Field of Classification Search** D23/364,
D23/355, 356, 359, 360, 362, 352, 366, 369,
D23/332, 333, 335, 336, 342, 351; 422/120,
422/122; 55/356, 473, 504; 96/63; D14/188,
D14/170, 172; 261/DIG. 17, DIG. 65, DIG. 88,
261/DIG. 31

See application file for complete search history.

(56) **References Cited**

U.S. PATENT DOCUMENTS

D487,139 S *	2/2004	Shapiro	D23/335
D507,339 S *	7/2005	Shapiro	D23/335
D507,340 S *	7/2005	Shapiro	D23/335
D510,618 S *	10/2005	Dooley	D23/335
D510,619 S *	10/2005	Gao	D23/335
D510,989 S *	10/2005	Dooley	D23/335

D540,453 S *	4/2007	Wang	D23/356
D542,901 S *	5/2007	Christianson	D23/364
D548,824 S *	8/2007	Christianson	D23/364
D553,718 S *	10/2007	Shapiro	D23/332
D562,952 S *	2/2008	Lewis	D23/332
D562,953 S *	2/2008	Lewis	D23/332
D565,161 S *	3/2008	Harris, Jr.	D23/364

* cited by examiner

Primary Examiner—Louis S Zarfaz

Assistant Examiner—David G Muller

(74) *Attorney, Agent, or Firm*—Lawrence J. Shurupoff

(57) **CLAIM**

The ornamental design for a air purifier, as shown and described.

DESCRIPTION

FIG. 1 is a front right perspective view of the air purifier showing the new design;

FIG. 2 is a left side elevational view thereof;

FIG. 3 is a front elevational view thereof;

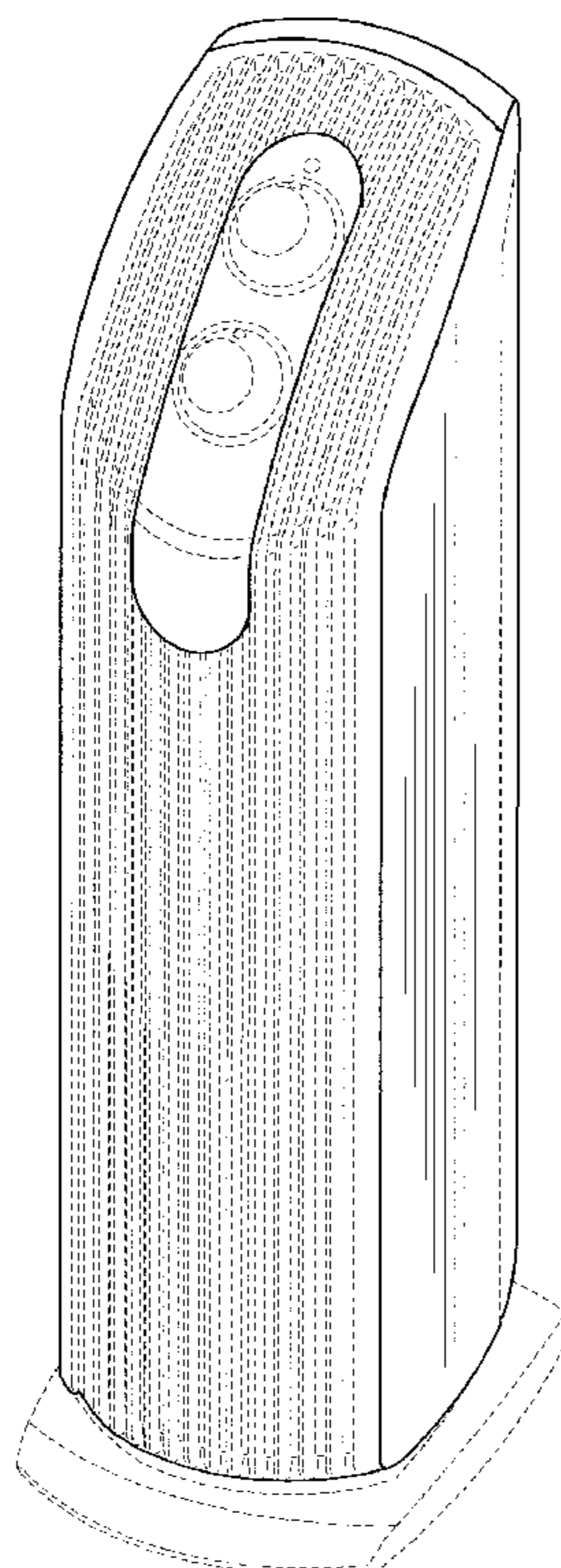
FIG. 4 is a right side elevational view thereof;

FIG. 5 is a rear elevational view thereof; and,

FIG. 6 is a top plan view thereof.

The broken line showing of parts of the drawings is included for the purpose of illustrating use and environment and forms no part of the claimed design.

1 Claim, 6 Drawing Sheets



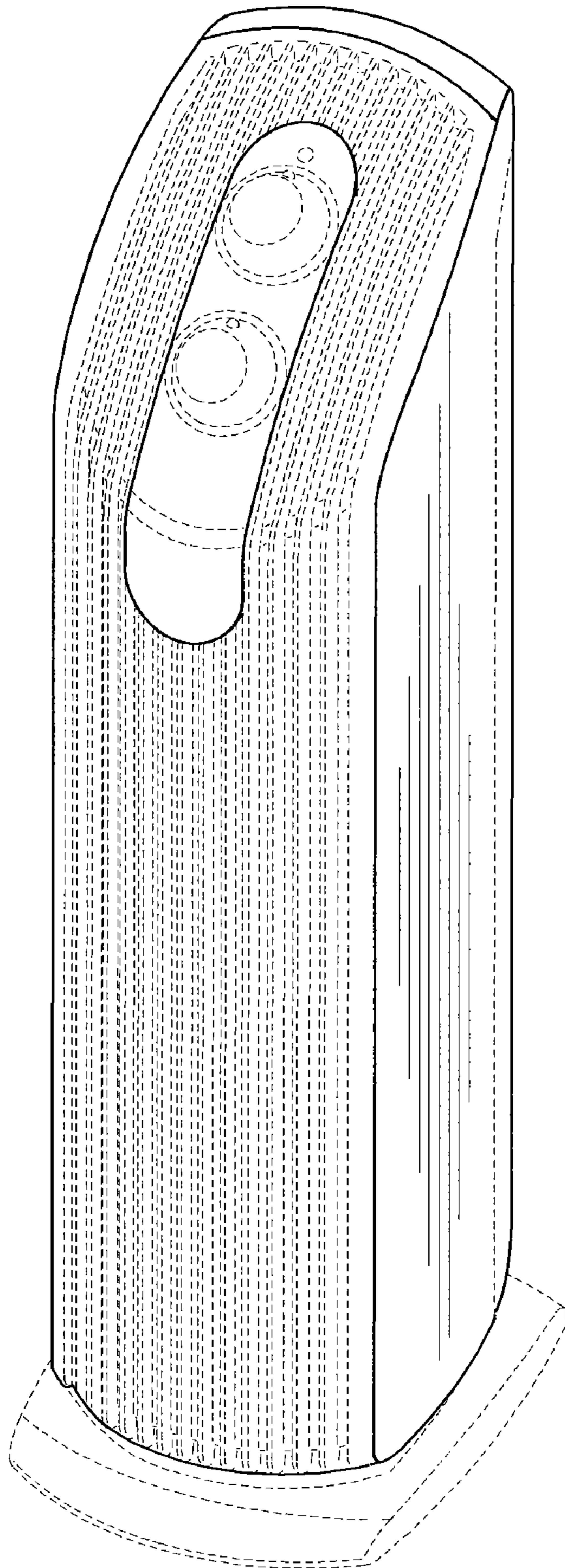


FIG 1

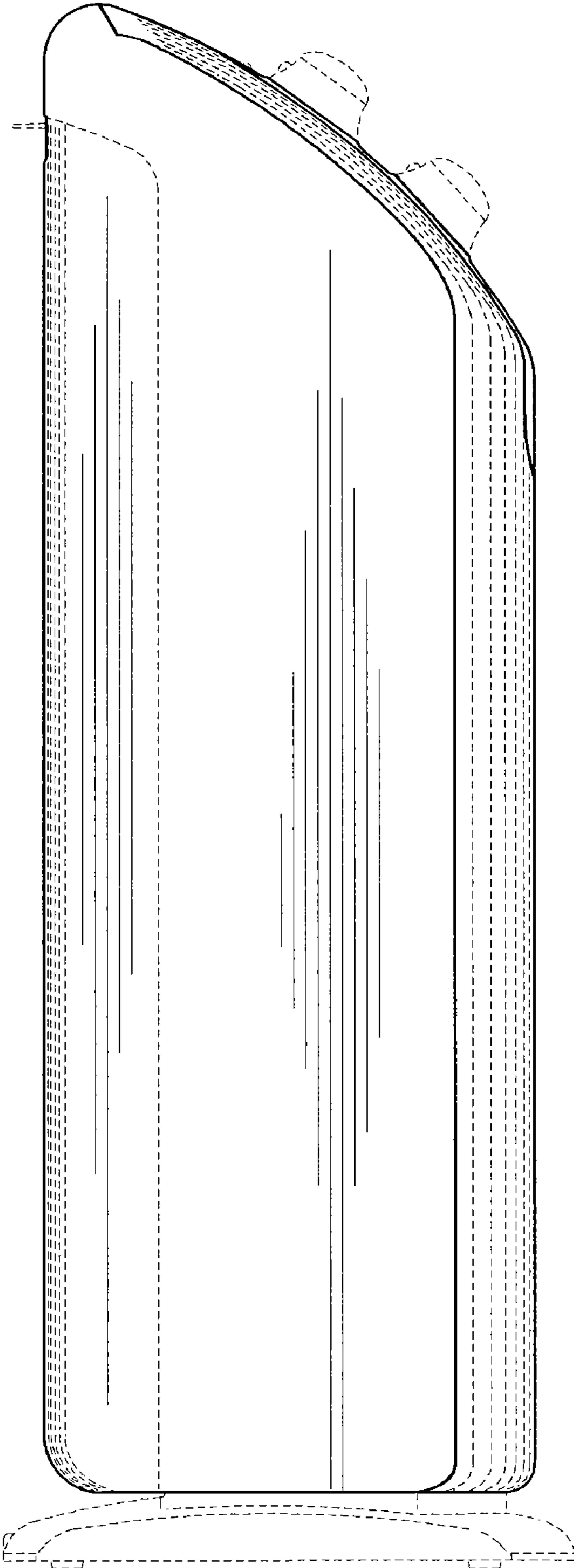


FIG 2

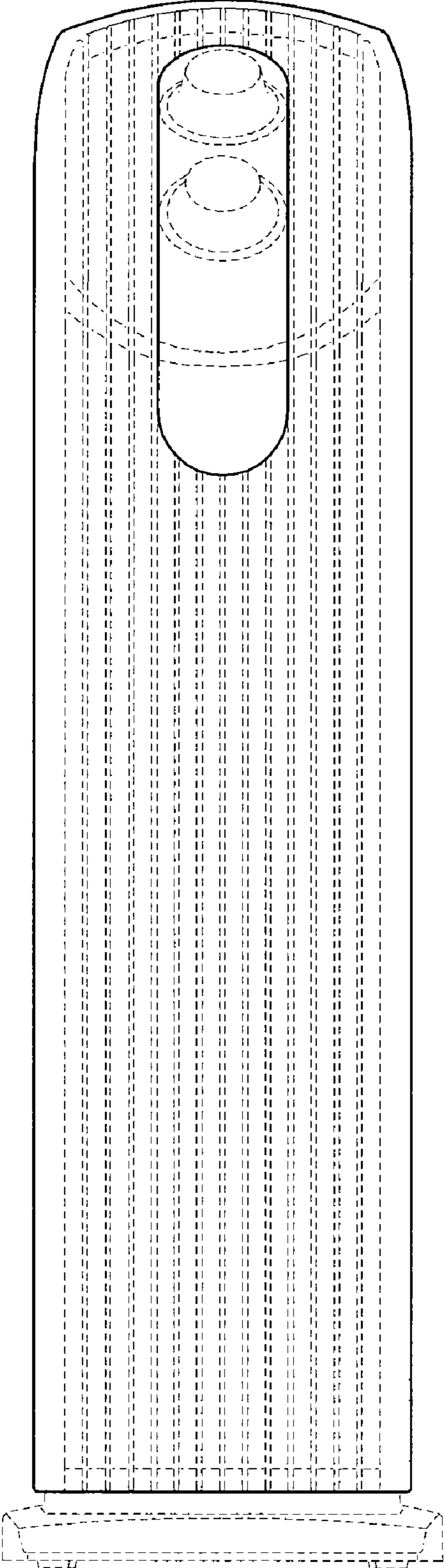


FIG 3

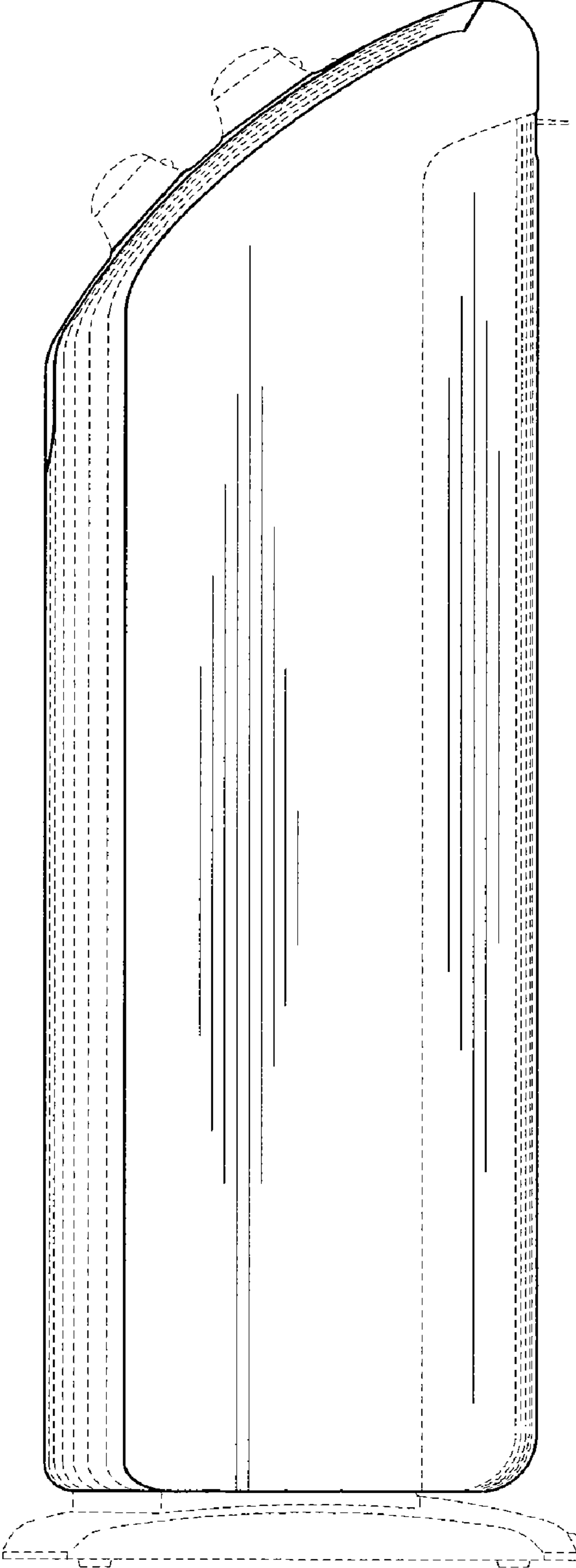


FIG 4

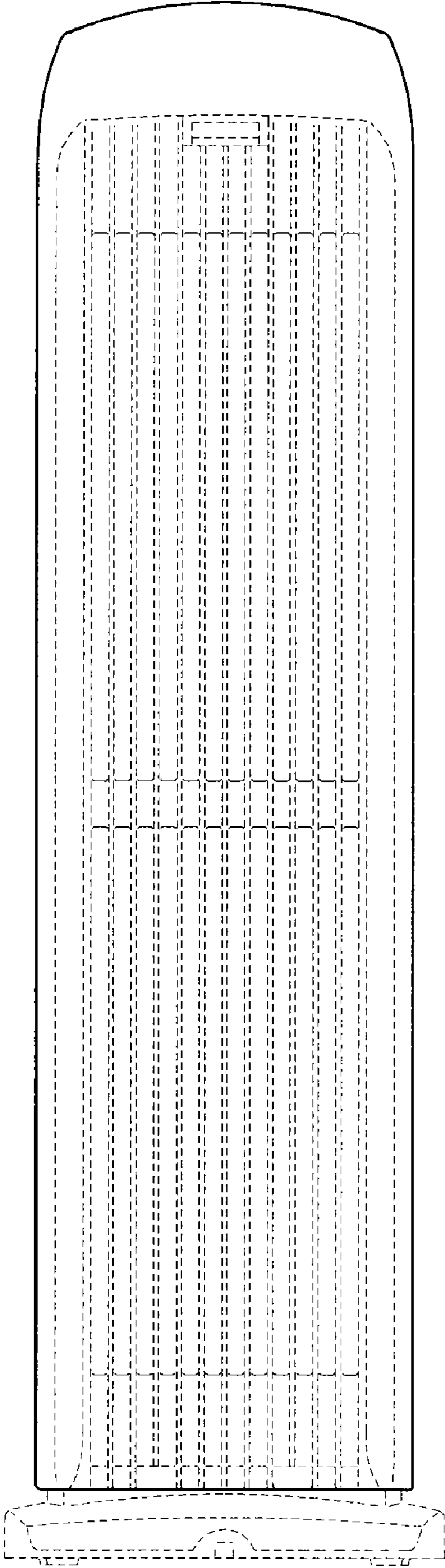


FIG 5

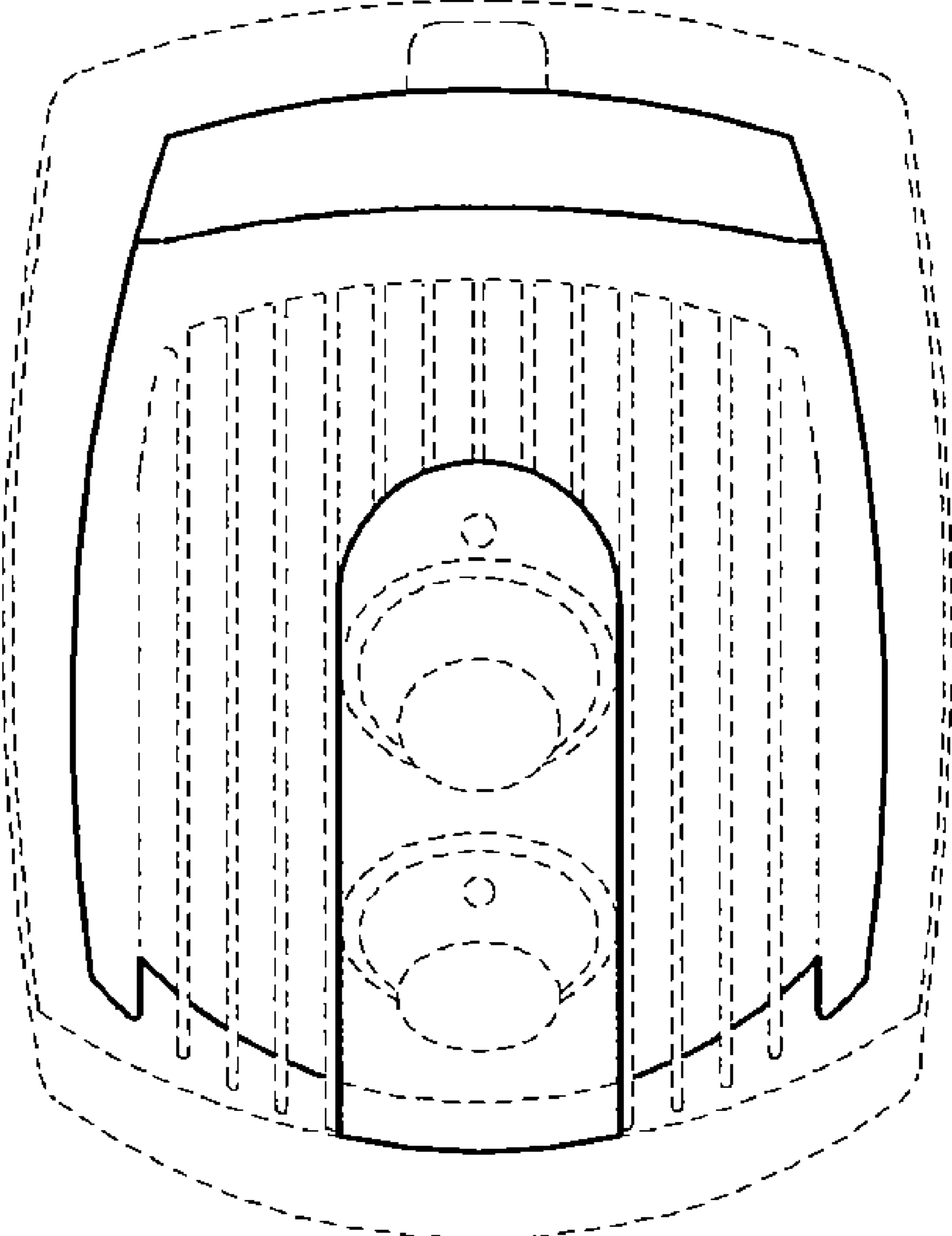


FIG 6