



US00D577798S

(12) **United States Design Patent**
Persson et al.

(10) **Patent No.:** **US D577,798 S**

(45) **Date of Patent:** **** Sep. 30, 2008**

(54) **COVER FOR A TUBULAR HEAT EXCHANGER**

(75) Inventors: **Klas Persson**, Dalby (SE); **Niklas Wisén**, Kävlinge (SE)

(73) Assignee: **Tetra Laval Holdings & Finance S.A.**, Pully (CH)

(**) Term: **14 Years**

(21) Appl. No.: **29/265,843**

(22) Filed: **Sep. 11, 2006**

(30) **Foreign Application Priority Data**

Mar. 10, 2006 (EM) 000493374-0001/0009

(51) **LOC (8) Cl.** **23-03**

(52) **U.S. Cl.** **D23/323**

(58) **Field of Classification Search** D23/323,
D23/330, 332-350, 386; 392/465, 497, 501;
165/163, 157

See application file for complete search history.

(56) **References Cited**

U.S. PATENT DOCUMENTS

2,026,387 A * 12/1935 Jackes et al. 126/65
4,363,355 A * 12/1982 Prucyk 165/81
D273,324 S * 4/1984 Brownlee D23/386
D285,248 S * 8/1986 Bloom et al. D23/323

D297,044 S * 8/1988 Van Ee D23/328
D335,338 S * 5/1993 Shero D23/323
7,088,915 B1 * 8/2006 Sturm et al. 392/466
2004/0163800 A1 * 8/2004 Richardson 165/109.1
2006/0011333 A1 * 1/2006 Emrich et al. 165/167
2006/0048759 A1 * 3/2006 Hendrix et al. 123/563

* cited by examiner

Primary Examiner—Louis S Zarfaz

Assistant Examiner—Eric L Goodman

(74) *Attorney, Agent, or Firm*—Buchanan Ingersoll & Rooney PC

(57) **CLAIM**

The ornamental design for a cover for a tubular heat exchanger, as shown and described.

DESCRIPTION

FIG. 1 is a top perspective view of a cover for a tubular heat exchanger showing our new design.

FIG. 2 is a bottom perspective view thereof.

FIG. 3 is a front elevational view, the rear elevational view being a mirror image thereof.

FIG. 4 is an end elevational view, the other end elevational view being a mirror image thereof.

FIG. 5 is a top plan view thereof; and,

FIG. 6 is a bottom plan view thereof.

1 Claim, 2 Drawing Sheets

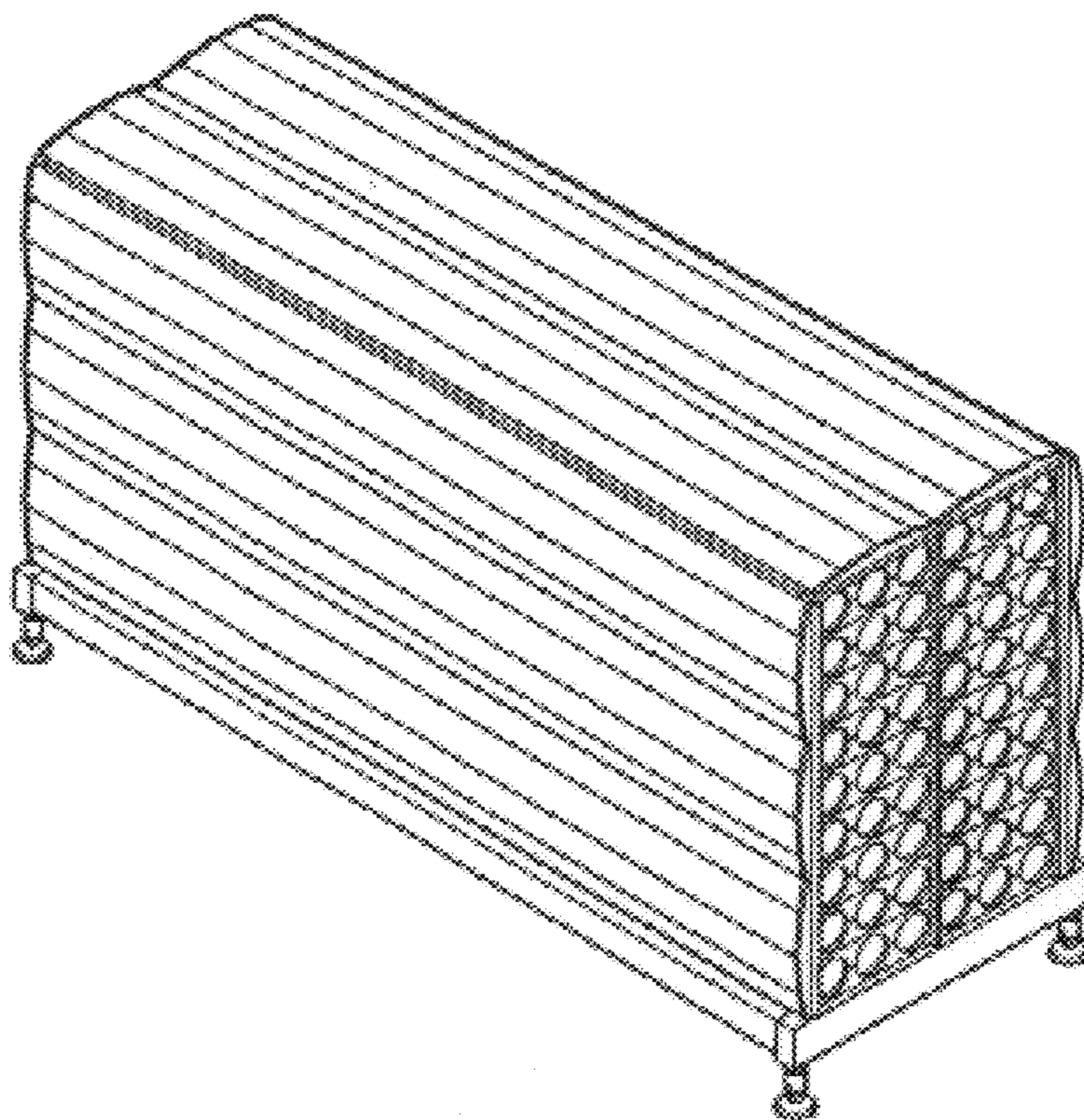


FIG. 1

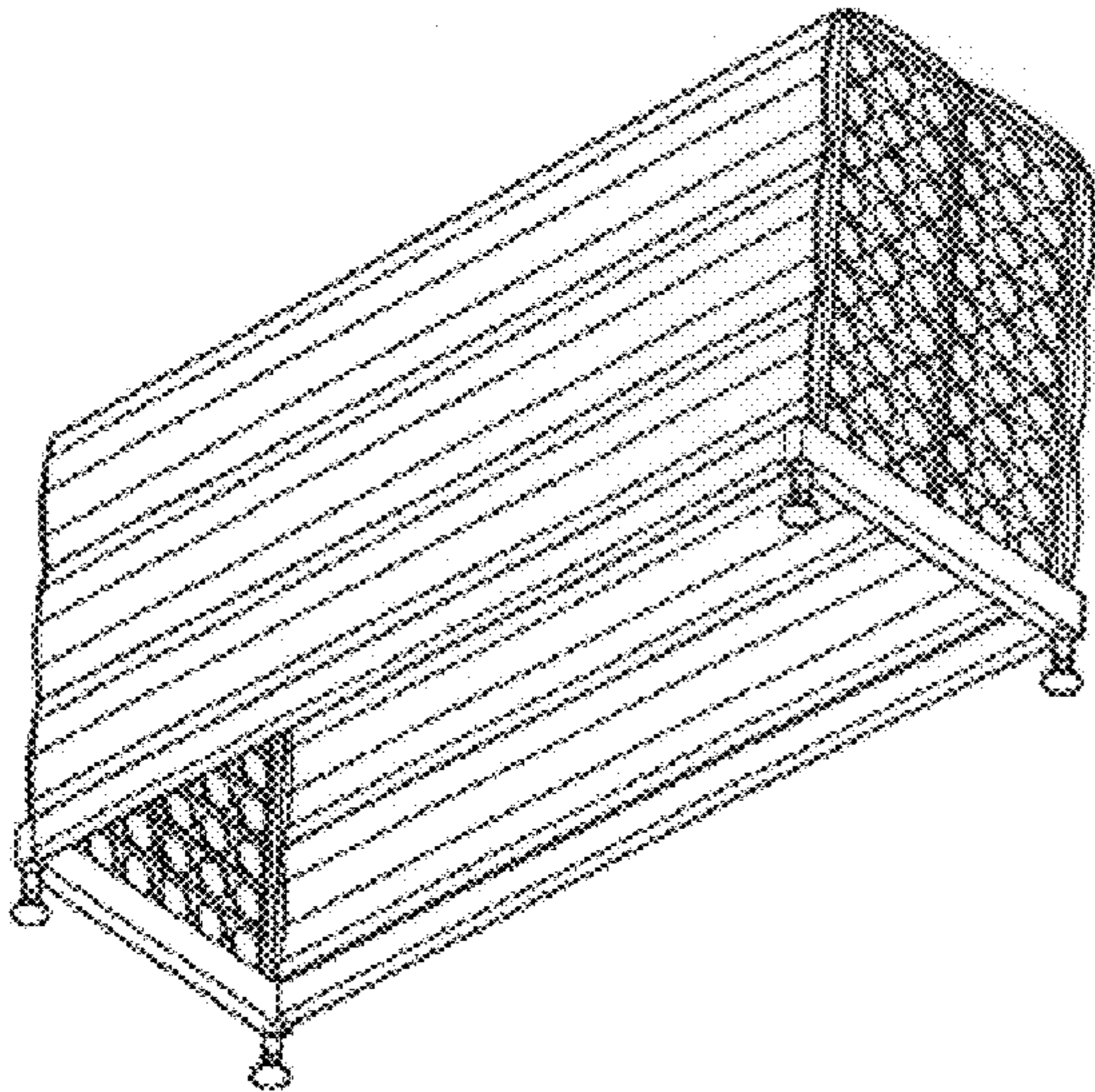
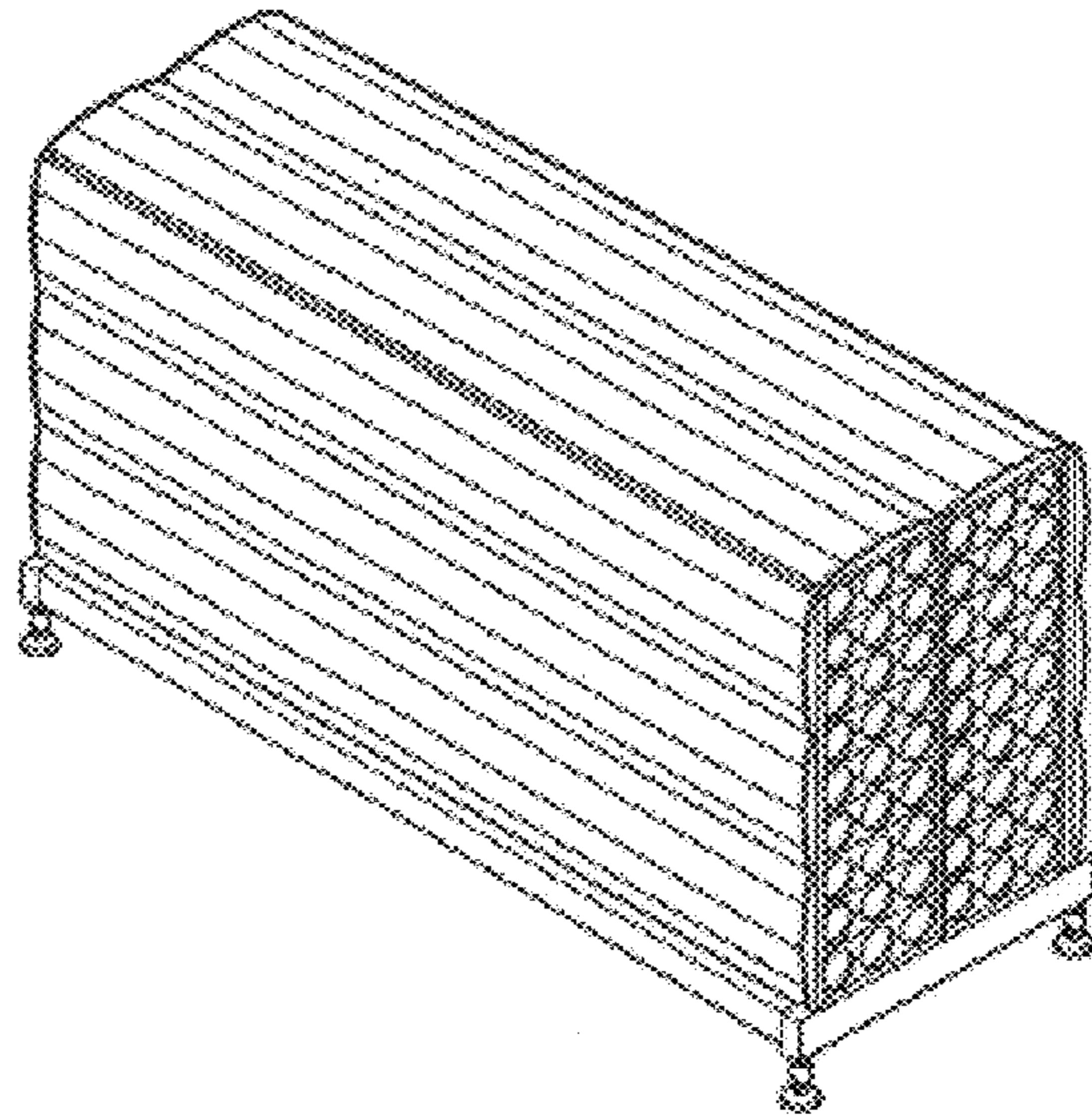
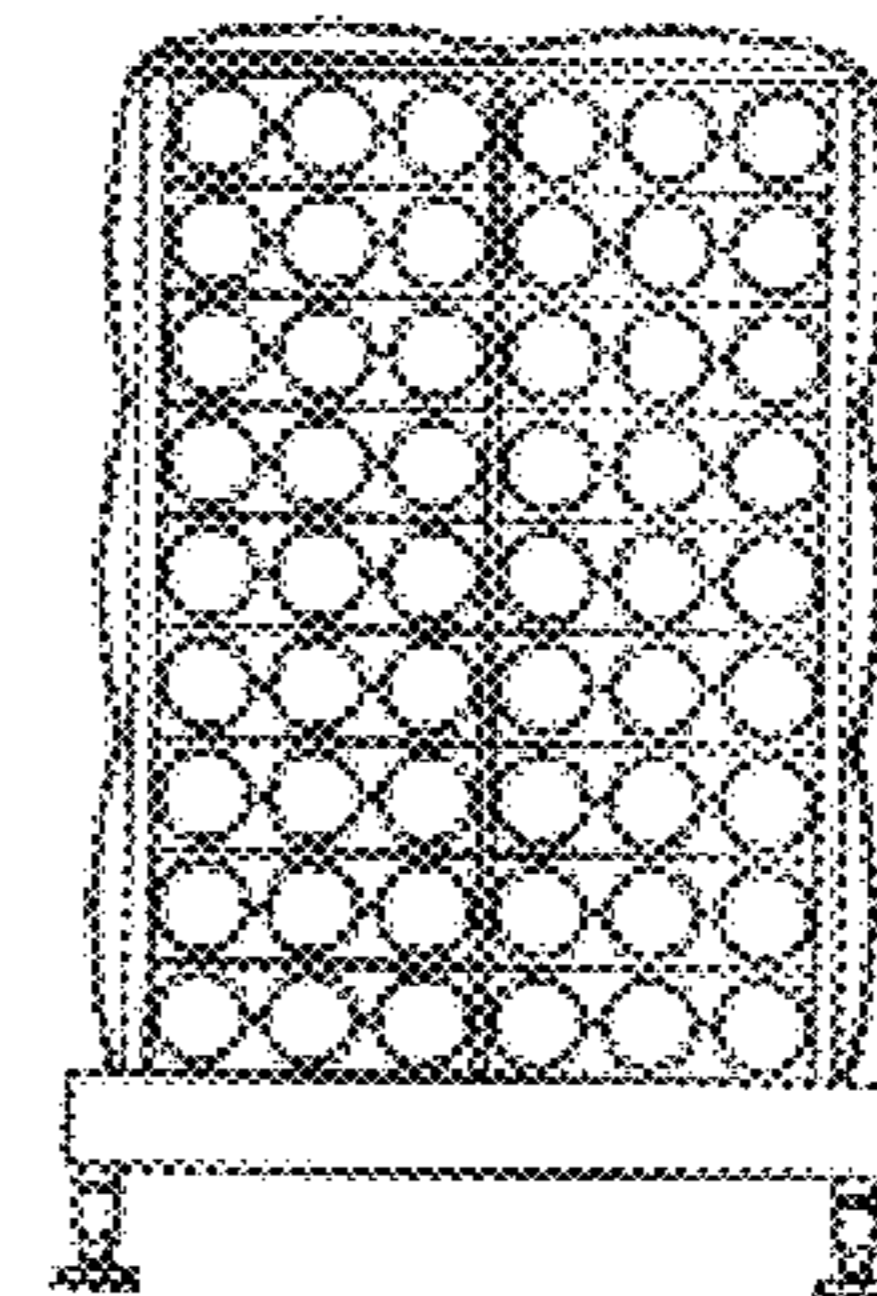


FIG. 2

FIG. 4



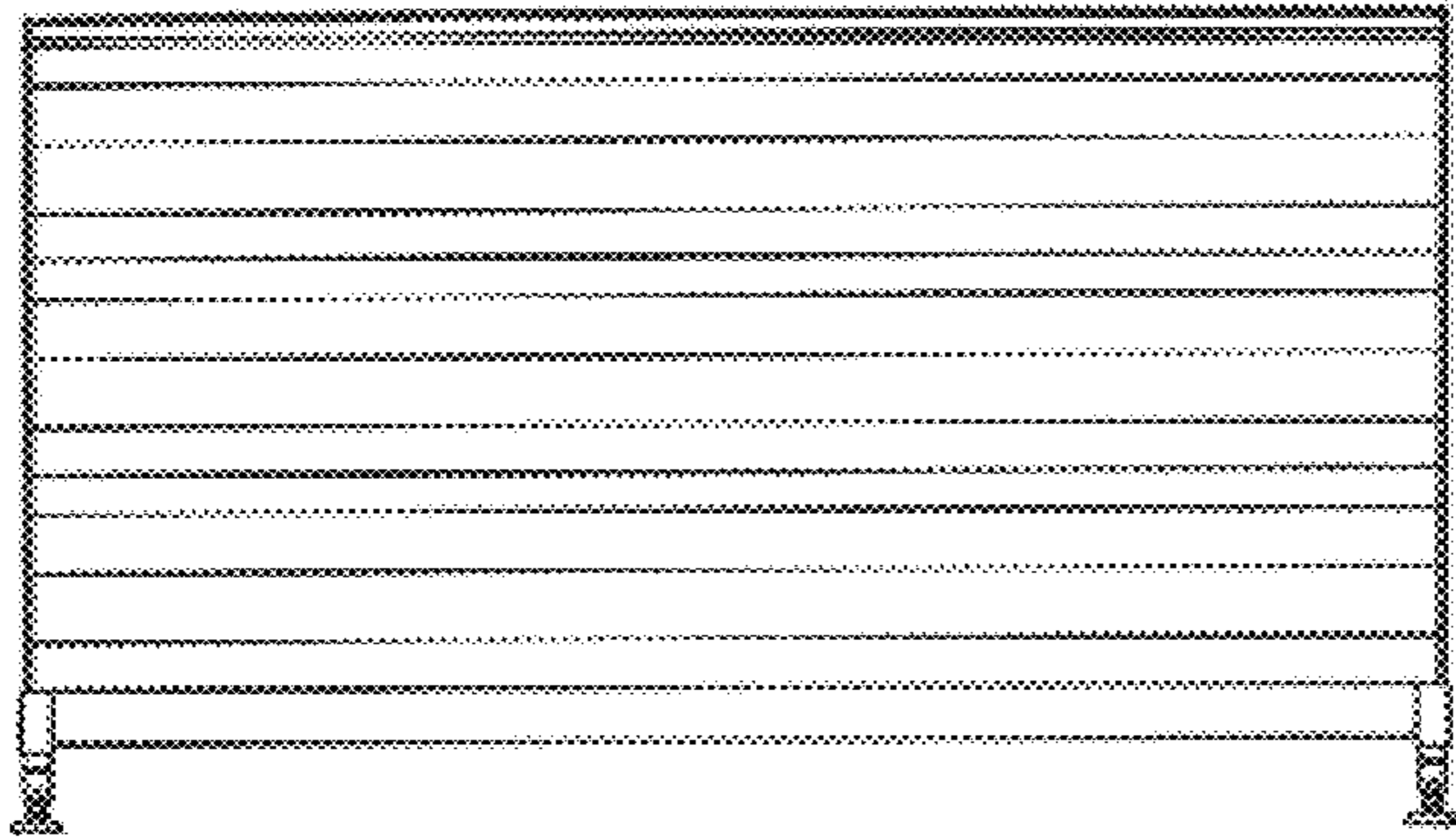


FIG. 3

FIG. 5

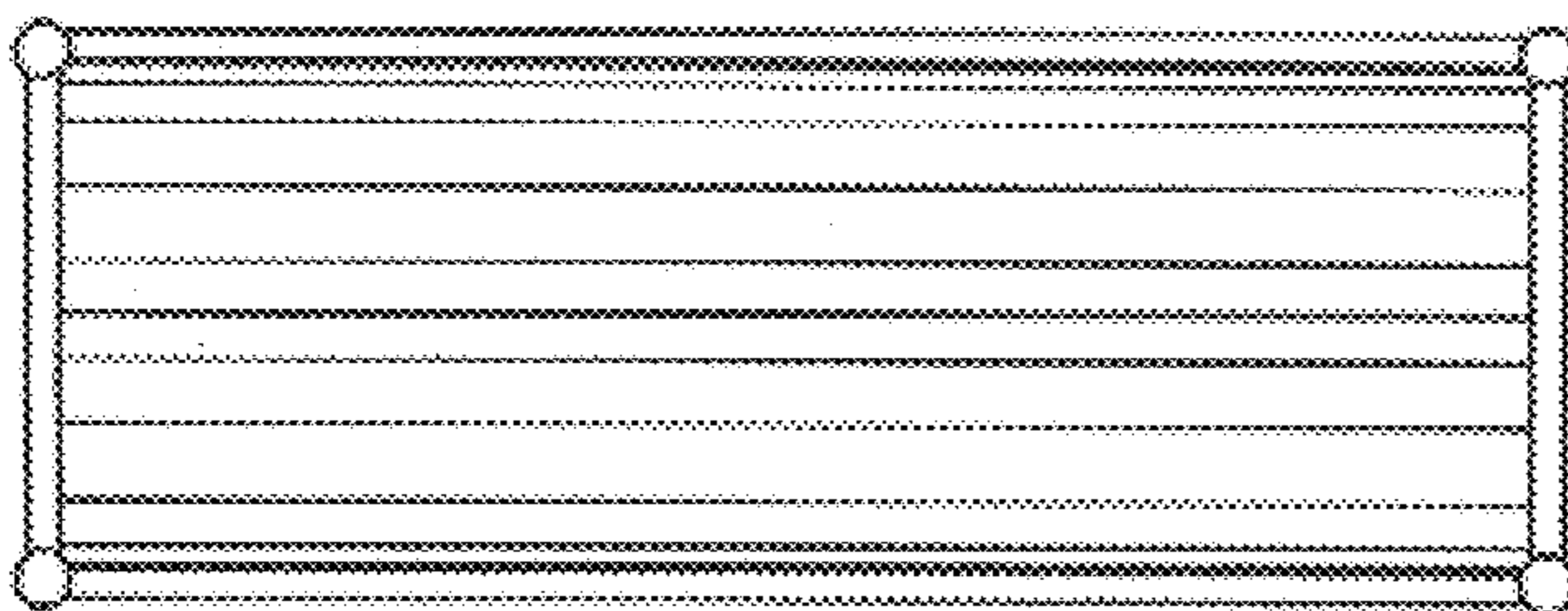
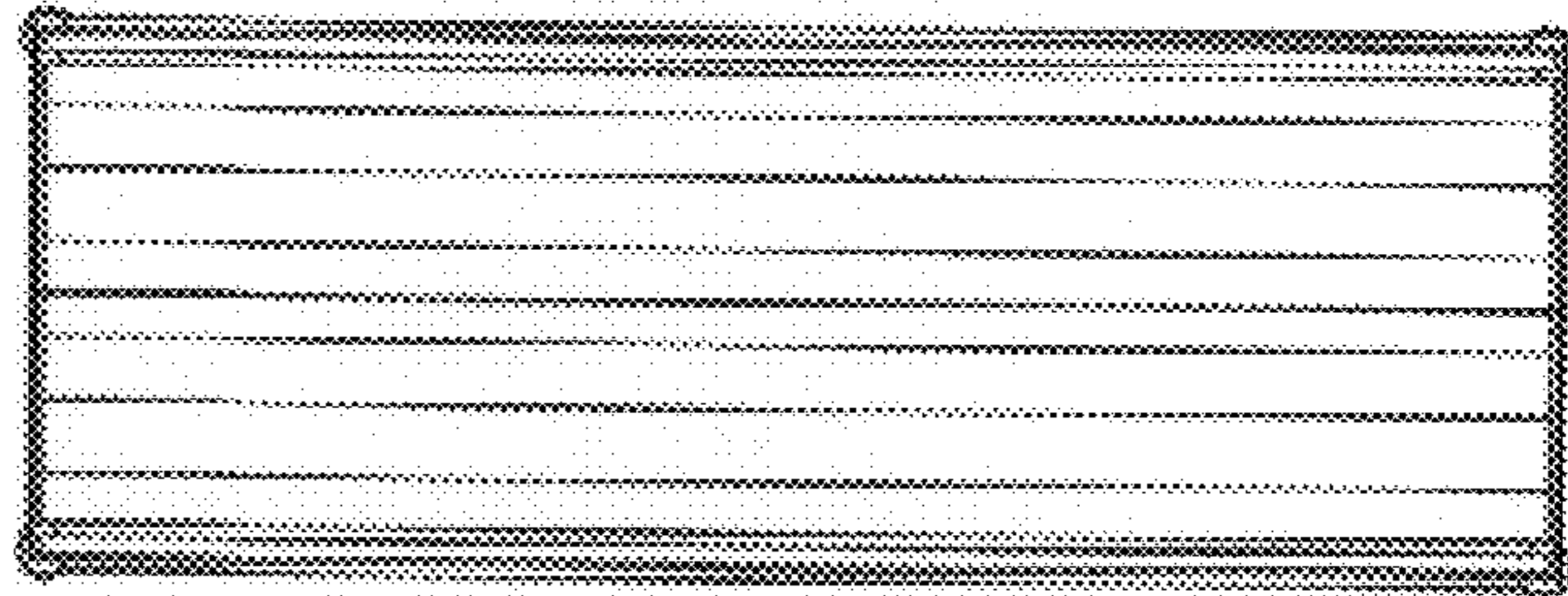


FIG. 6