



US00D577794S

(12) **United States Design Patent**
Sanz Fernandez et al.

(10) **Patent No.:** **US D577,794 S**
(45) **Date of Patent:** **** Sep. 30, 2008**

(54) **FAUCET ACCESSORY**

(75) Inventors: **Jordi Sanz Fernandez**, Sant Joan Despi (ES); **Xavier Ferret Picazo**, Sant Joan Despi (ES)

(73) Assignee: **Industrias Ramon Soler, S.A.**, Sant Joan Despi (Barcelona) (ES)

(**) Term: **14 Years**

(21) Appl. No.: **29/279,142**

(22) Filed: **Apr. 20, 2007**

(30) **Foreign Application Priority Data**

Oct. 20, 2006 (EM) 000608278

(51) **LOC (8) Cl.** **23-01**

(52) **U.S. Cl.** **D23/250**

(58) **Field of Classification Search** D23/250–257,
D23/238–243, 244–249; 4/675–678; D8/300,
D8/307–308, 310–312, 321; D6/550; 137/801;
16/110.1, 441

See application file for complete search history.

(56) **References Cited**

U.S. PATENT DOCUMENTS

D373,179 S * 8/1996 Sieger D23/241

D461,527 S * 8/2002 Ko D23/241
D510,612 S * 10/2005 Lammel et al. D23/241
D511,371 S * 11/2005 Chen D23/241

* cited by examiner

Primary Examiner—Robert A Delehanty

(74) *Attorney, Agent, or Firm*—Wolf, Block, Schorr & Solis-Cohen LLP

(57) **CLAIM**

We claim the ornamental design for a faucet accessory, as shown and described.

DESCRIPTION

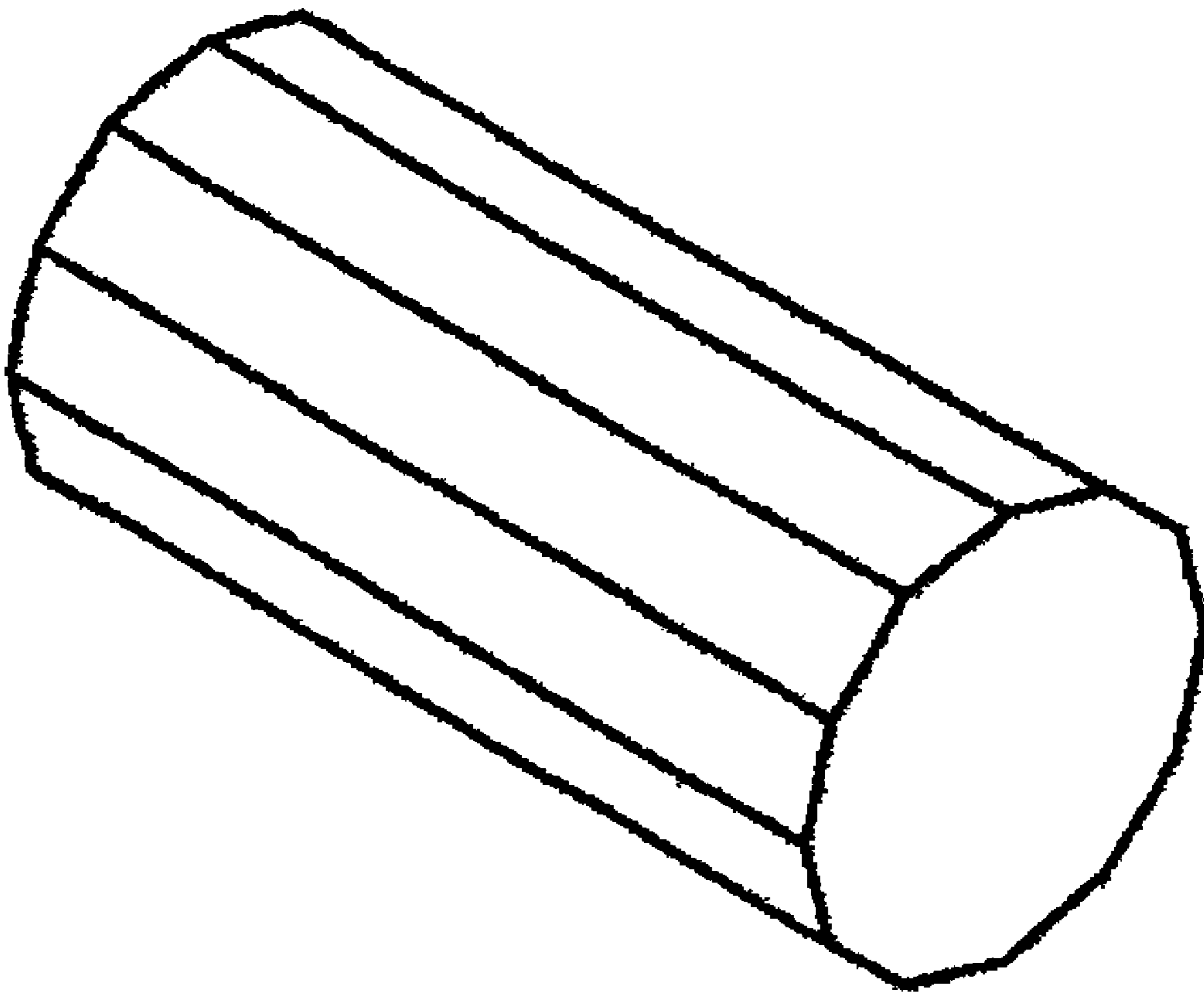
FIG. 1 illustrates a perspective view of a faucet accessory showing a first embodiment of our new design;

FIG. 2 illustrates a front elevational view of a faucet accessory showing a first embodiment of our new design; and,

FIG. 3 illustrates an end view of a faucet accessory showing a first embodiment of our new design.

Top, rear elevational, and bottom views not shown are identical to the front elevational view shown in FIG. 2, and the end view not shown is identical to the end view shown in FIG. 3.

1 Claim, 1 Drawing Sheet



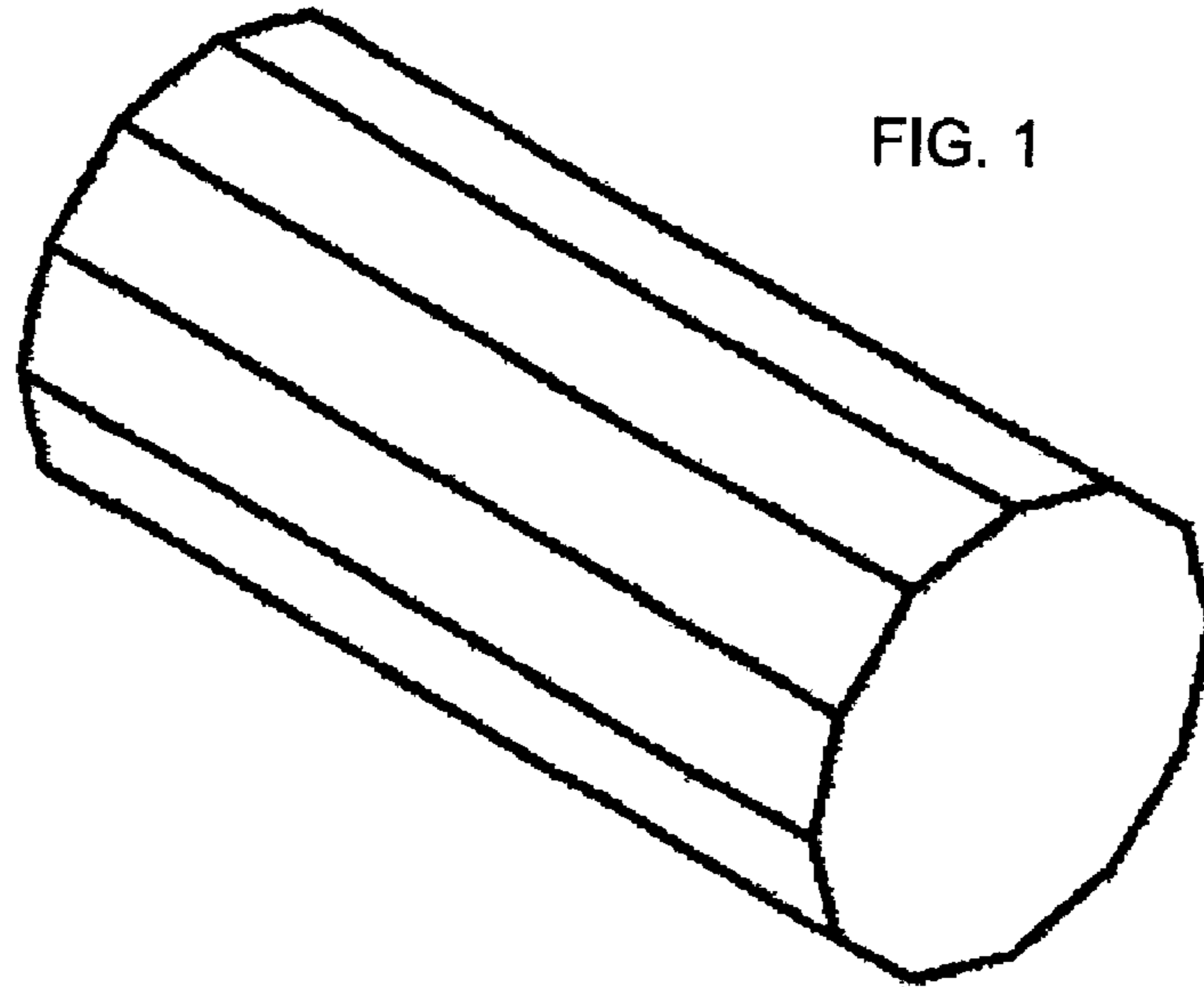


FIG. 1

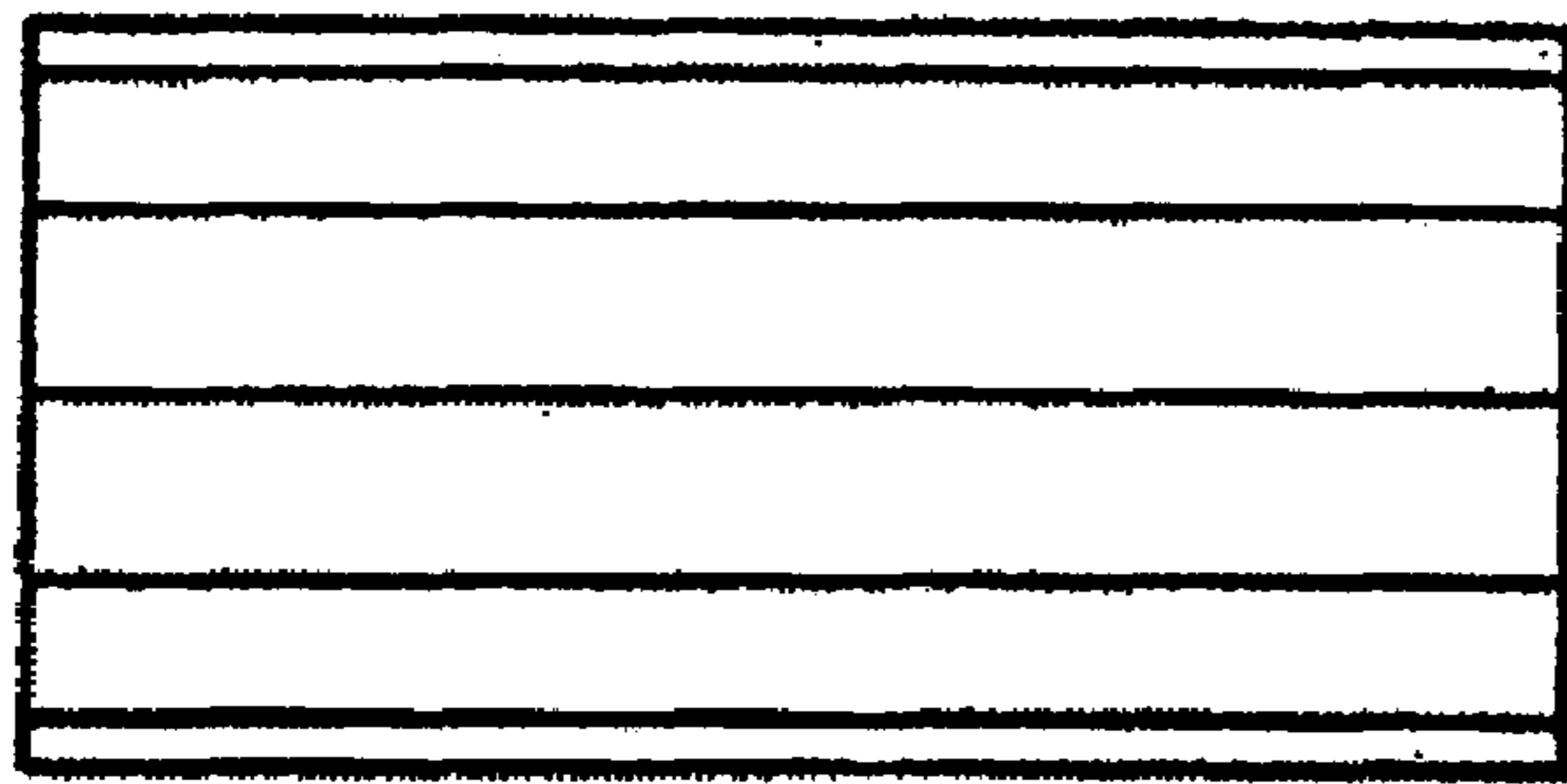


FIG. 2

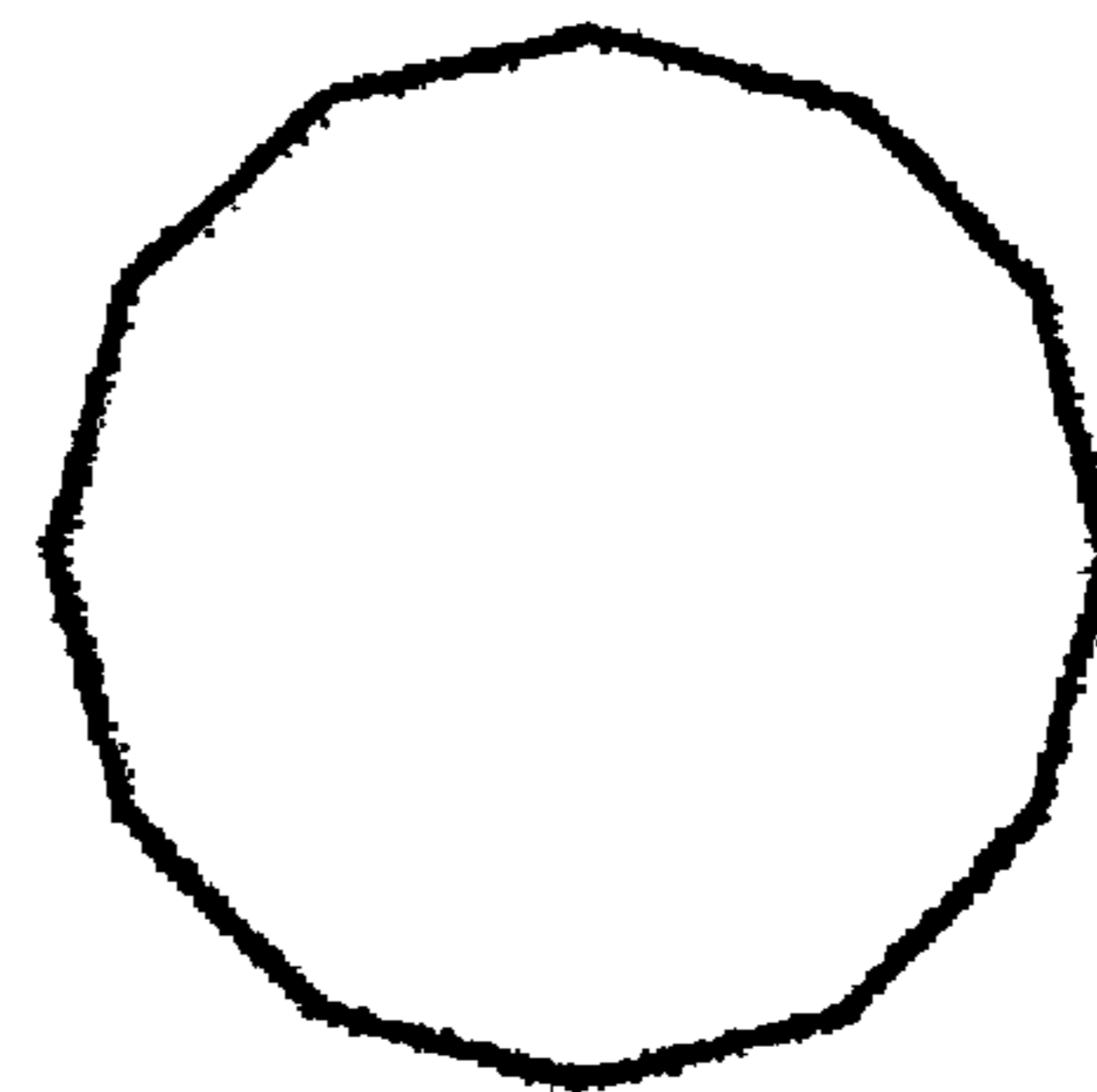


FIG. 3