



US00D577790S

(12) **United States Design Patent**
Yovanovich et al.

(10) **Patent No.:** **US D577,790 S**

(45) **Date of Patent:** **** Sep. 30, 2008**

(54) **BILLIARD BALL RACK**

(76) Inventors: **David A. Yovanovich**, P.O. Box 711040,
Salt Lake City, UT (US) 84171; **Mark A. Vester**, 4201 Mendenhall Loop Rd.,
Juneau, AK (US) 99801

(**) Term: **14 Years**

(21) Appl. No.: **29/297,482**

(22) Filed: **Nov. 13, 2007**

(51) **LOC (8) Cl.** **21-01**

(52) **U.S. Cl.** **D21/782**

(58) **Field of Classification Search** D21/782-784,
D21/385; 473/40, 41; 312/265.1, 265.4,
312/257.1; 211/182, 183; 403/404, 265
See application file for complete search history.

(56) **References Cited**

U.S. PATENT DOCUMENTS

916,193 A	3/1909	Pierce	
1,052,461 A	2/1913	Chase	
1,167,137 A *	1/1916	Treiber	473/40
1,660,626 A *	2/1928	Rhoads	473/40
2,405,677 A	8/1946	Volpe	273/22
2,422,939 A	6/1947	Volpe	273/22
D159,558 S *	8/1950	Sundell	D21/782
3,253,826 A	5/1966	Luttrell	273/22
3,672,671 A	6/1972	Merola	273/22
3,794,319 A *	2/1974	Miller	473/41
3,992,005 A	11/1976	Richey	273/22
4,005,861 A	2/1977	Tomczak	273/22
4,307,881 A	12/1981	Jaworski	273/22
4,452,450 A	6/1984	Cayton	273/22
4,469,328 A *	9/1984	Pacitti	473/40
4,768,781 A	9/1988	McMillin	273/3
4,903,965 A	2/1990	Smith	273/22
5,376,054 A	12/1994	Kwasny et al.	273/40

D367,306 S *	2/1996	Fiscella	D21/782
5,556,341 A	9/1996	Bonn	473/40
5,601,495 A	2/1997	Silverman	473/40
5,735,750 A	4/1998	Silverman	473/40
5,916,032 A	6/1999	Stoll	473/40
5,997,404 A	12/1999	Sardo	473/40
6,261,187 B1 *	7/2001	Tsai	473/40
6,312,342 B1	11/2001	Newsome	473/40
D454,380 S *	3/2002	Porper	D21/782
6,595,862 B2	7/2003	Porper	473/40
7,166,033 B2	1/2007	Krajeski	473/40
2001/0044343 A1	11/2001	Rupert	473/40
2005/0009614 A1	1/2005	Knight	473/40
2005/0159230 A1	7/2005	Tudek	473/40

* cited by examiner

Primary Examiner—Prabhakar Deshmukh

(74) *Attorney, Agent, or Firm*—Michael R. Schramm

(57) **CLAIM**

The ornamental design for a billiard ball rack, as shown and described.

DESCRIPTION

FIG. 1 is a front and top perspective view of a billiard ball rack showing my new design;

FIG. 2 is a rear and top perspective view thereof;

FIG. 3 is a front and bottom perspective view thereof;

FIG. 4 is a rear and bottom perspective view thereof;

FIG. 5 is a top plan view thereof;

FIG. 6 is a bottom plan view thereof;

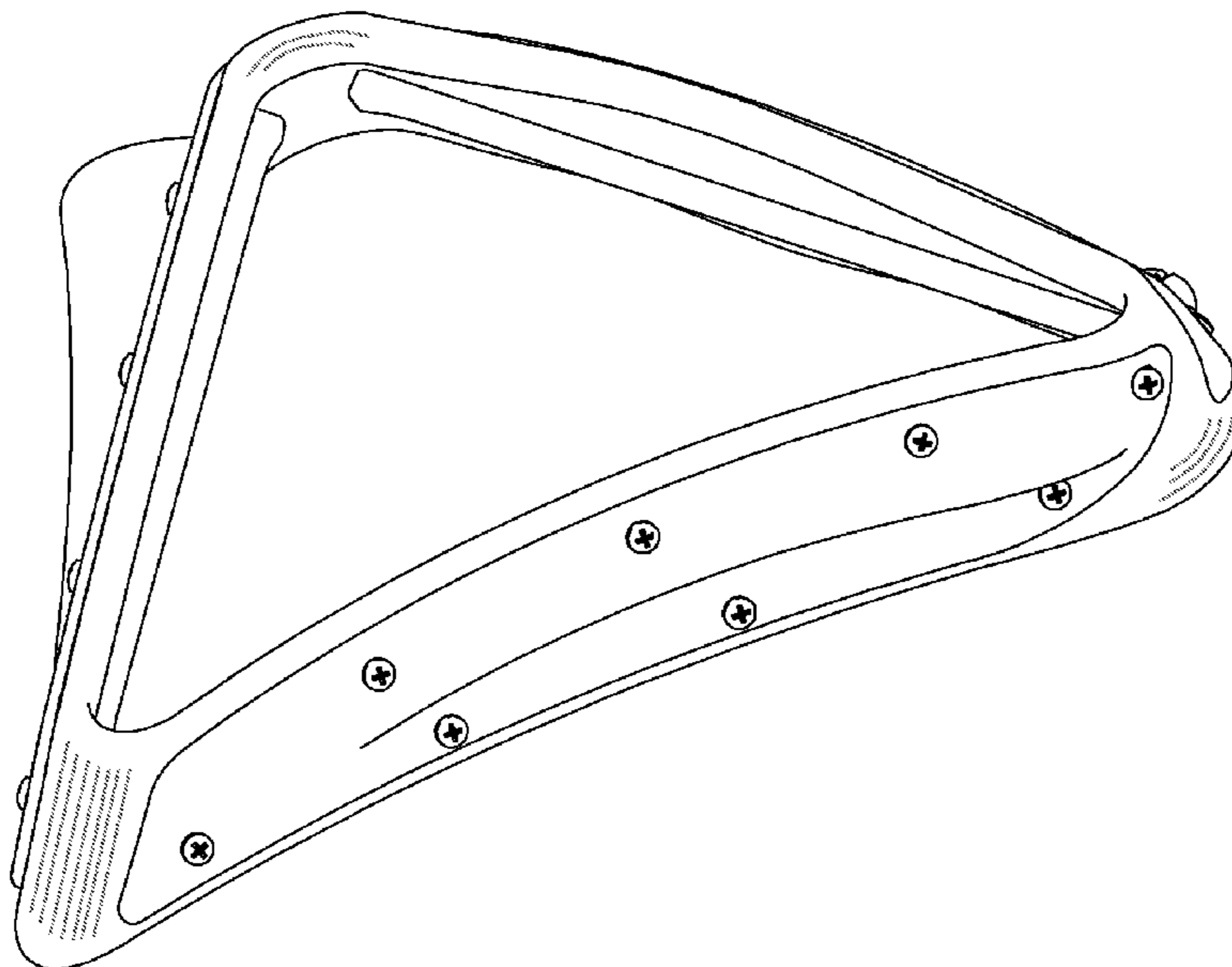
FIG. 7 is a right side elevation view thereof;

FIG. 8 is a left side elevation view thereof;

FIG. 9 is a front elevational view thereof; and,

FIG. 10 is a rear elevation view thereof.

1 Claim, 8 Drawing Sheets



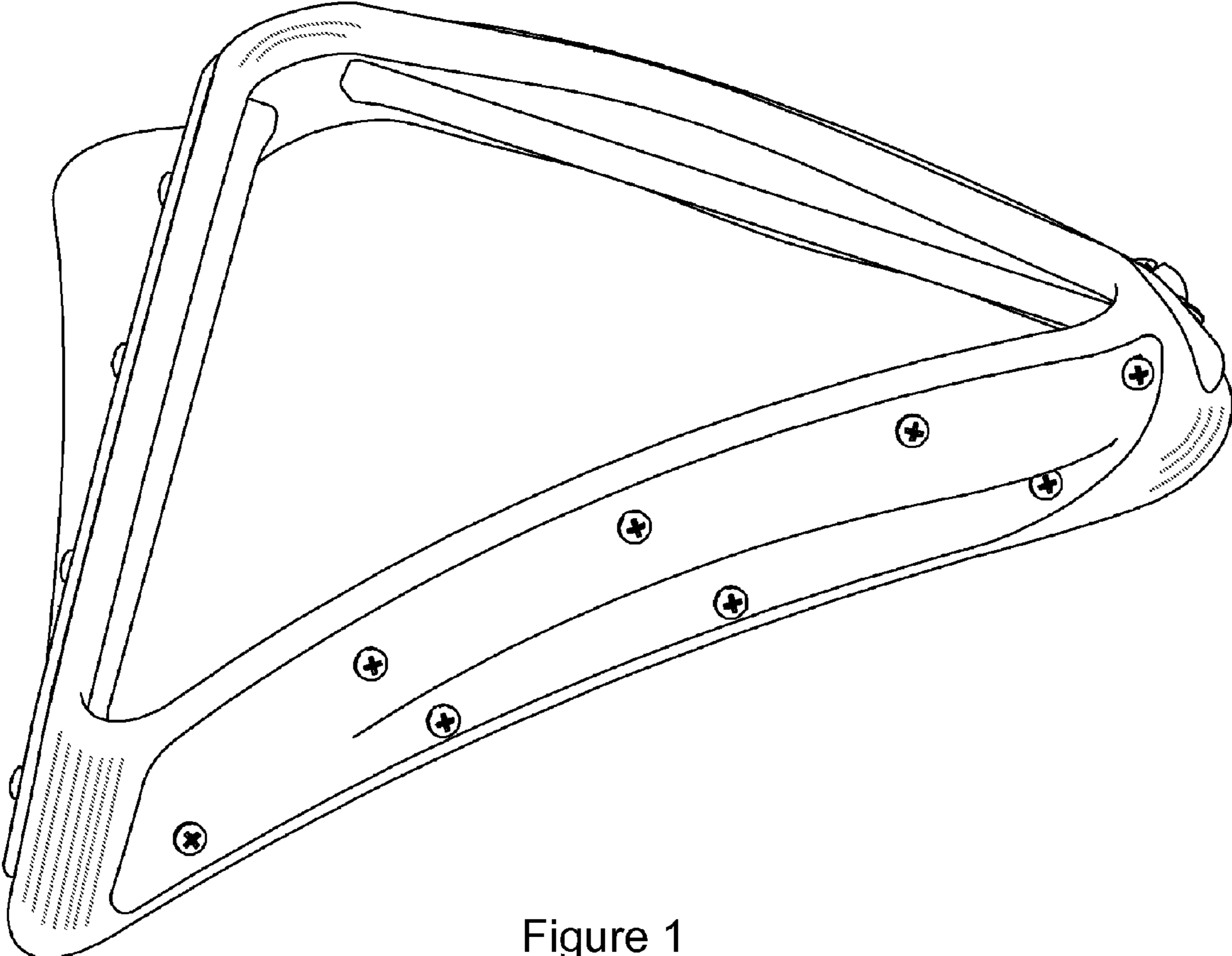


Figure 1

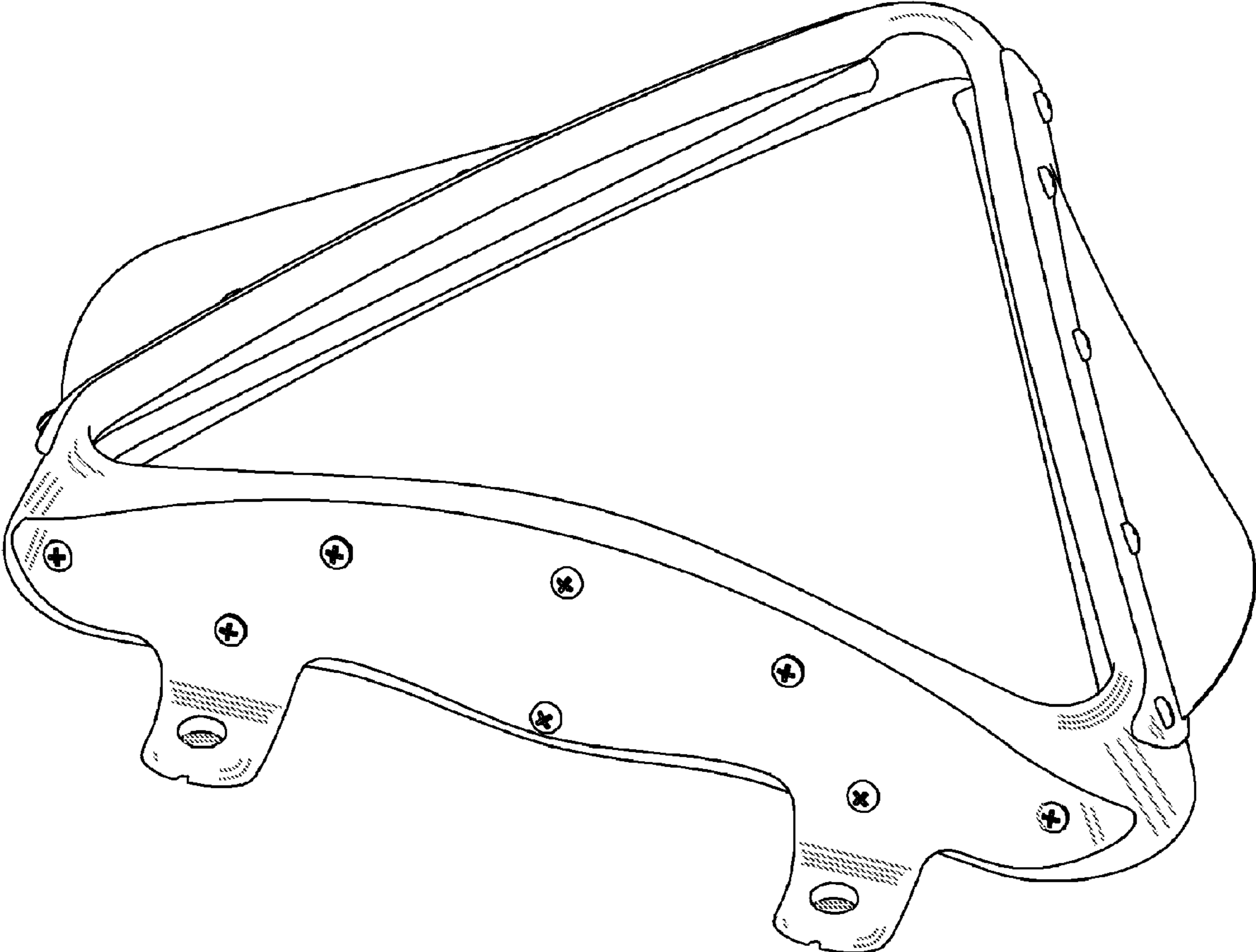


Figure 2

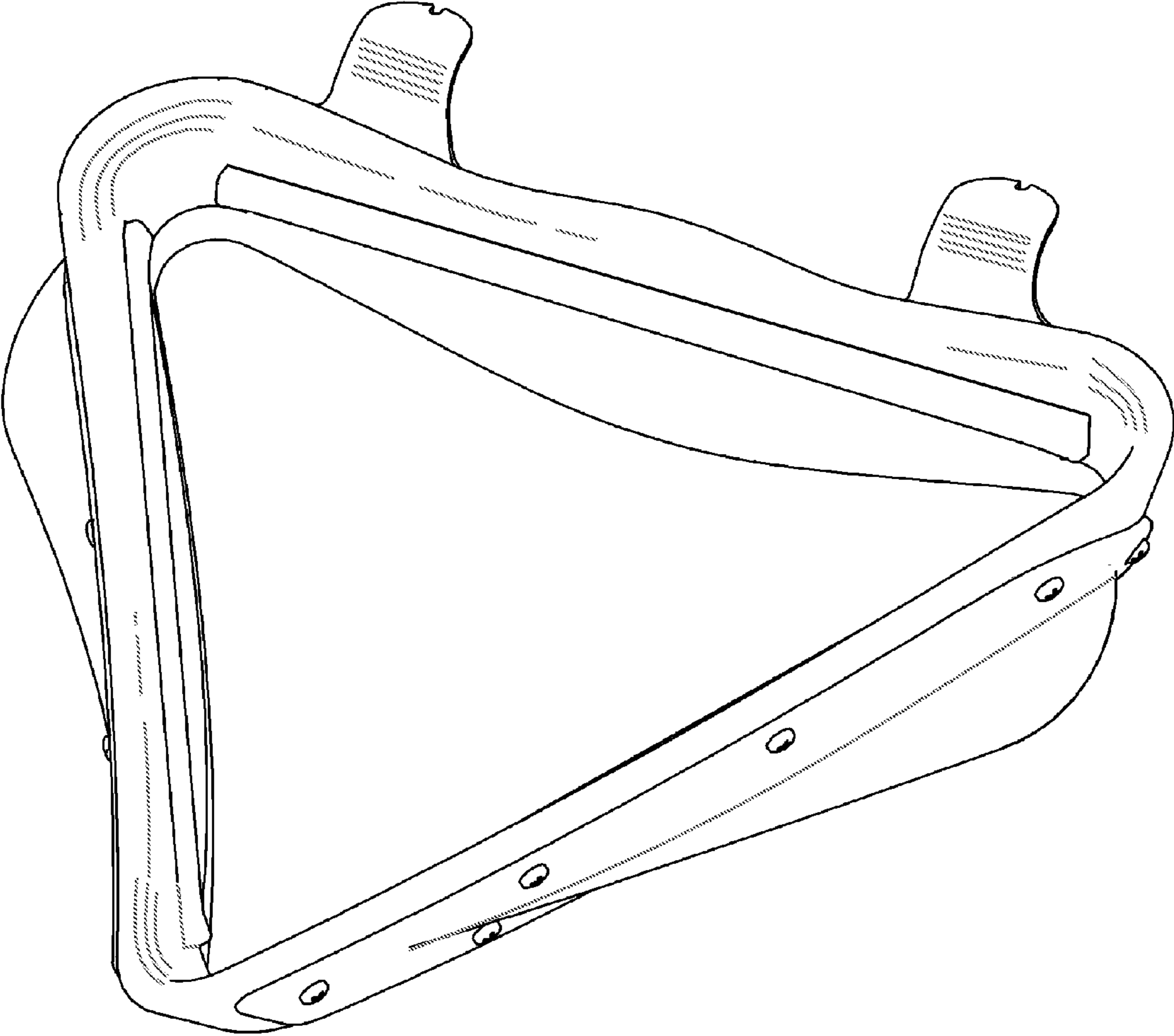


Figure 3

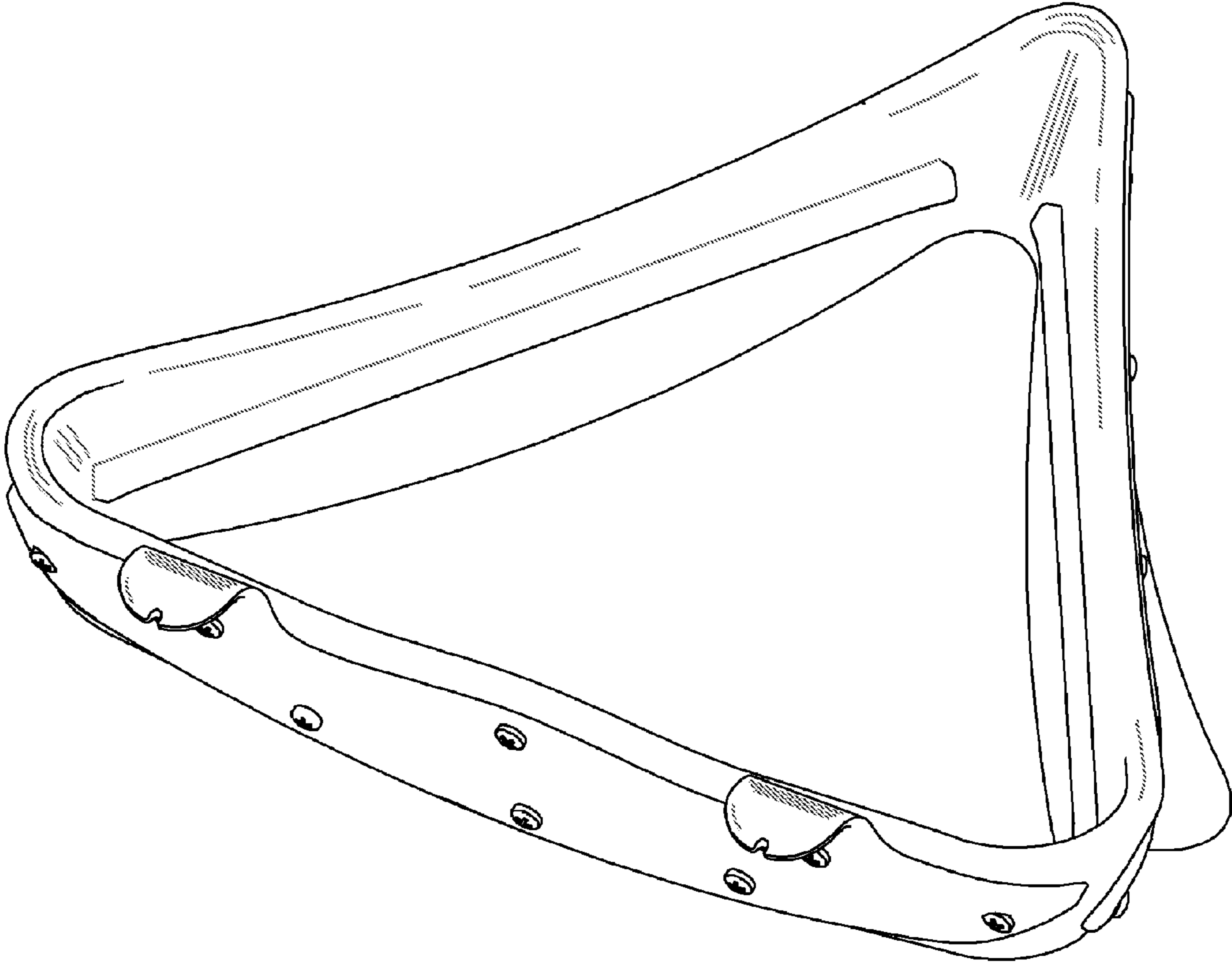


Figure 4

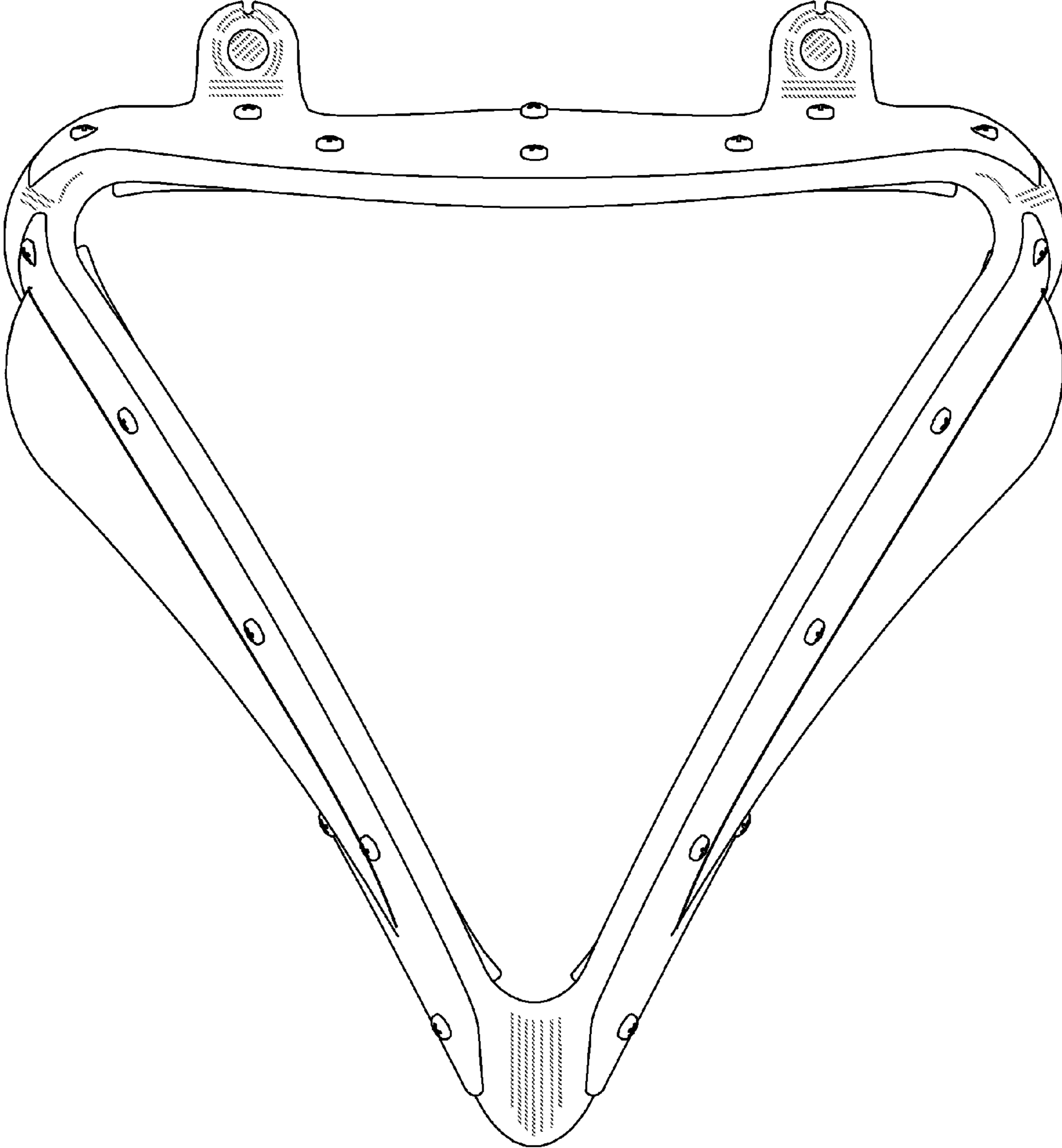


Figure 5

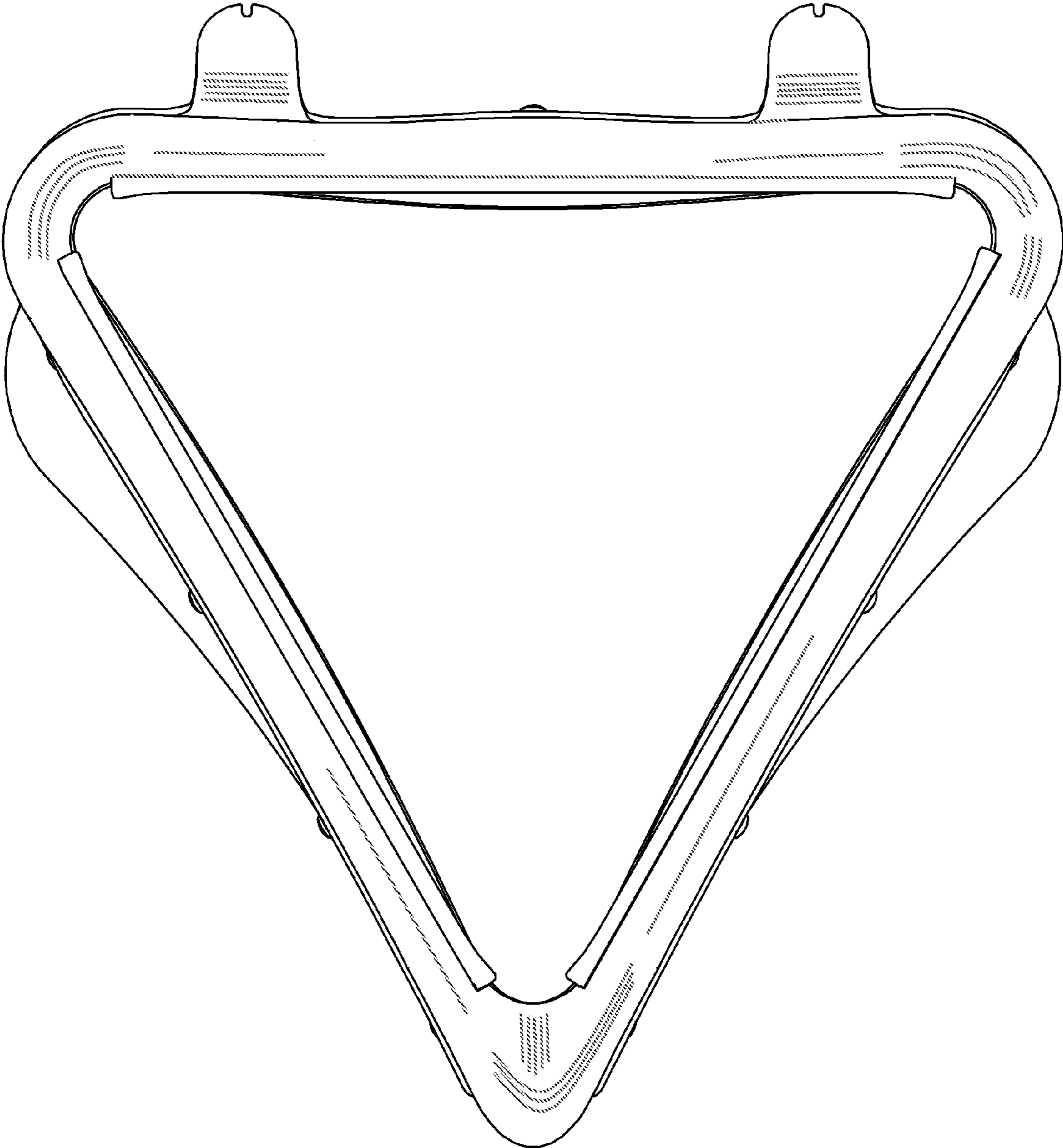


Figure 6

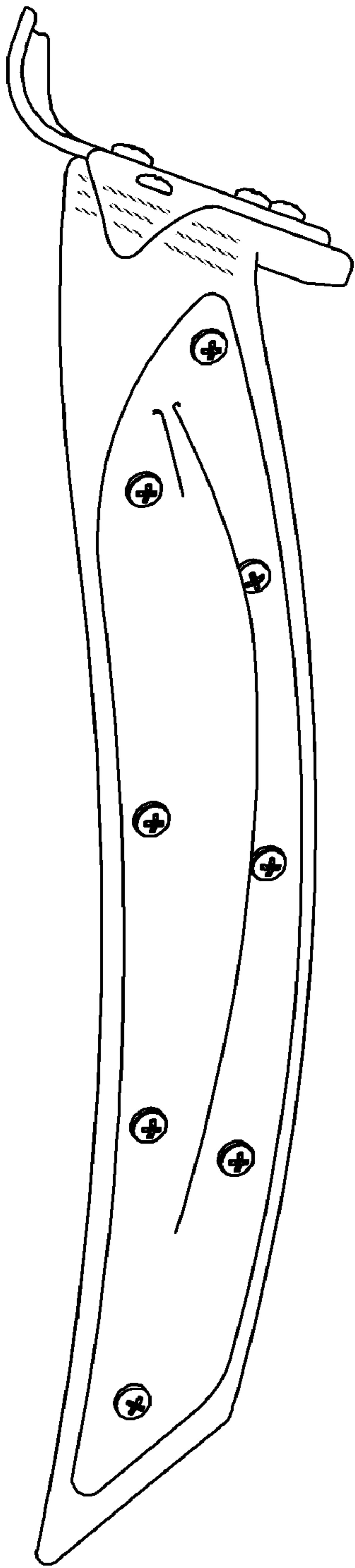


Figure 8

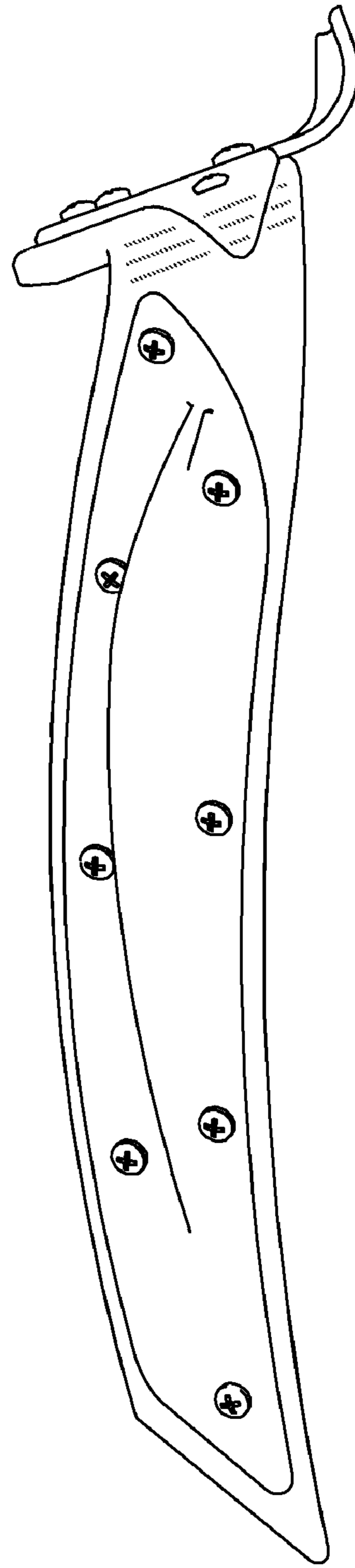


Figure 7

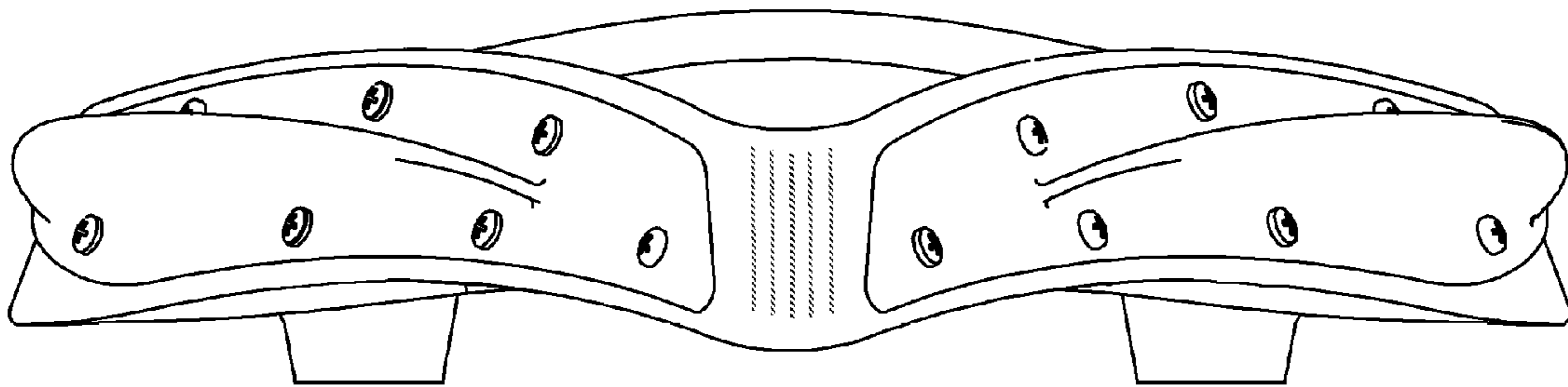


Figure 9

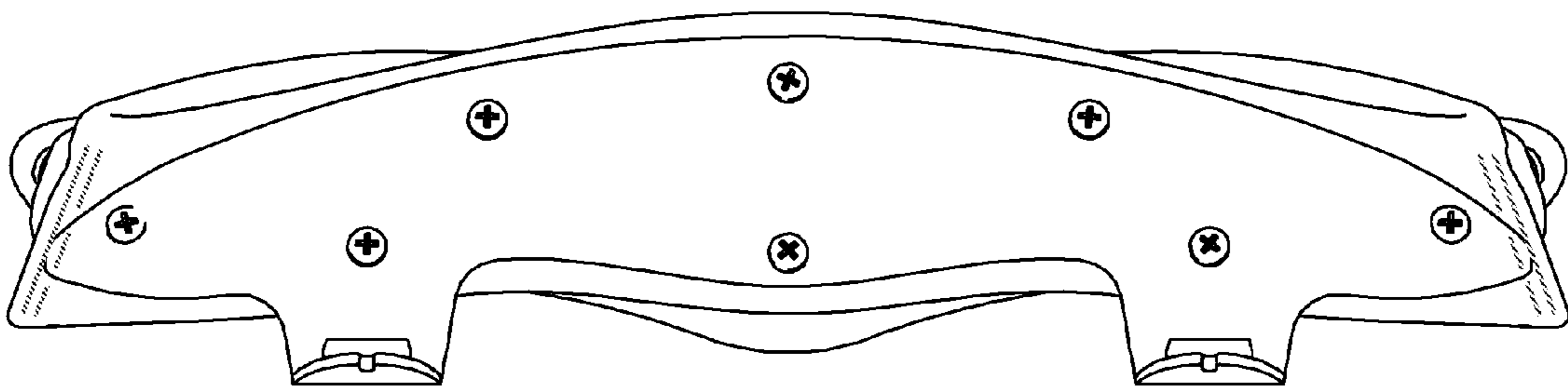


Figure 10