

US00D577789S

(12) **United States Design Patent**
Mazur

(10) **Patent No.:** **US D577,789 S**

(45) **Date of Patent:** **** Sep. 30, 2008**

(54) **SKATEBOARD**

(76) **Inventor:** **Yoel Mazur**, c/o Schweitzer Cornman
Gross & Bondell LLP 292 Madison Ave.
- 19th Floor, New York, NY (US) 10017

(**) **Term:** **14 Years**

(21) **Appl. No.:** **29/299,404**

(22) **Filed:** **Dec. 26, 2007**

(30) **Foreign Application Priority Data**

Jun. 27, 2007 (IL) 44408

(51) **LOC (8) Cl.** **21-02**

(52) **U.S. Cl.** **D21/765**

(58) **Field of Classification Search** D21/760,
D21/765, 771, 779, 423; 280/7.14, 11.115,
280/11.27, 11.28, 14.21, 87.01, 87.021, 87.03,
280/87.041, 87.042, 809; 180/180, 181
See application file for complete search history.

(56) **References Cited**

U.S. PATENT DOCUMENTS

4,082,306 A * 4/1978 Sheldon 280/87.042
D261,544 S * 10/1981 Cramer D21/765
D397,753 S * 9/1998 Lin D21/765
7,195,259 B2 * 3/2007 Gang 280/87.042
D552,201 S * 10/2007 Kwak D21/765

7,325,819 B2 * 2/2008 Kwak 280/87.042
7,367,572 B2 * 5/2008 Jiang 280/87.042
2002/0149166 A1 * 10/2002 Potter 280/87.042
2004/0262872 A1 * 12/2004 Kang 280/87.042
2006/0055137 A1 * 3/2006 Jiang 280/87.042
2006/0163830 A1 * 7/2006 Kwak 280/87.042
2007/0273118 A1 * 11/2007 Conrad 280/87.042

* cited by examiner

Primary Examiner—Holly H. Baynham

Assistant Examiner—Cynthia M Chin

(74) *Attorney, Agent, or Firm*—Schweitzer Cornman Gross & Bondell LLP

(57) **CLAIM**

The ornamental design for a skateboard, as shown and described.

DESCRIPTION

FIG. 1 is a top perspective view from the front of the new skateboard;

FIG. 2 is a top plan view thereof;

FIG. 3 is a side elevational view thereof, the opposite side being a mirror image;

FIG. 4 is a bottom view thereof;

FIG. 5 is an enlarged front elevational view thereof; and,

FIG. 6 is an enlarged back elevational view thereof.

1 Claim, 3 Drawing Sheets

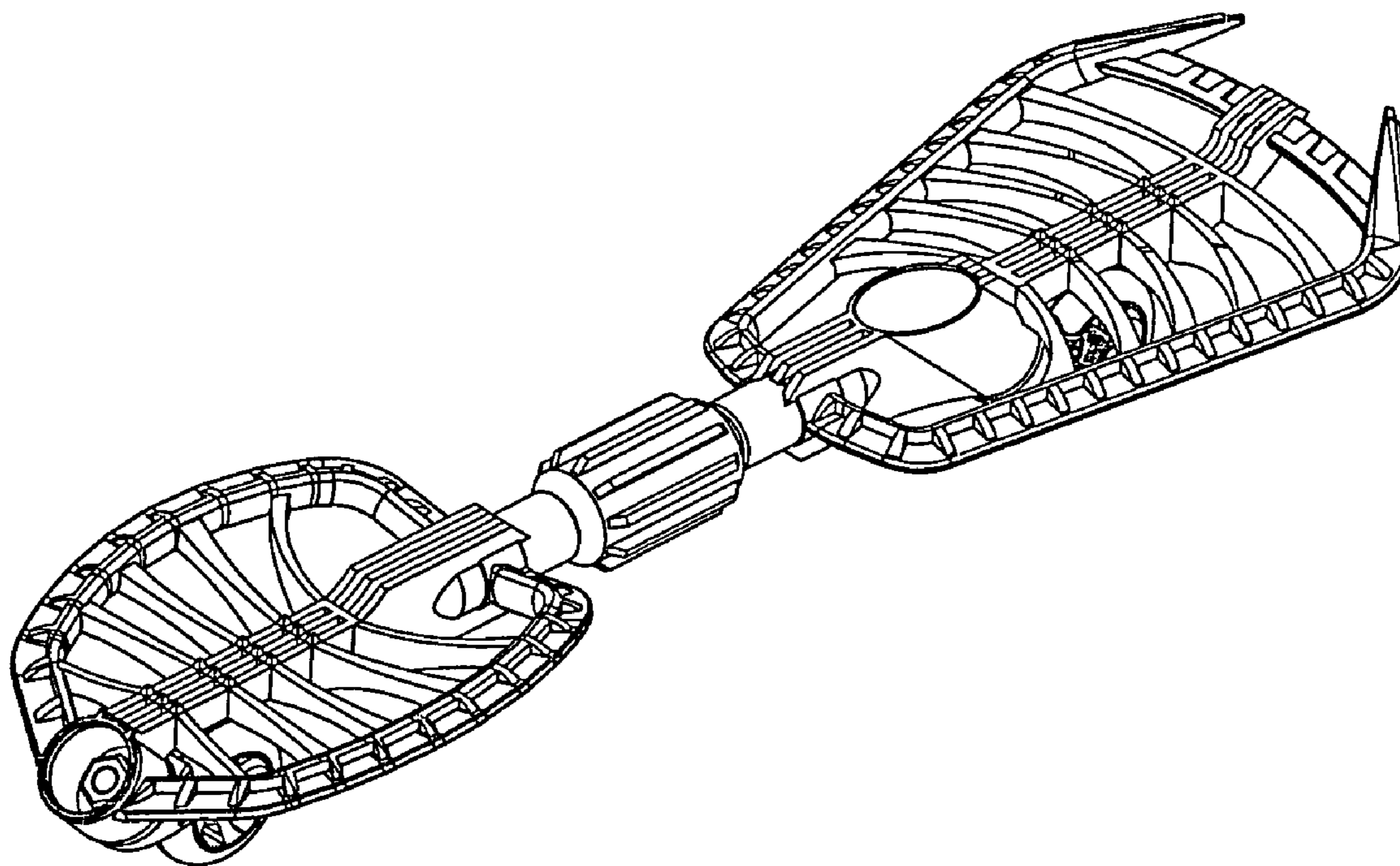


FIGURE 1

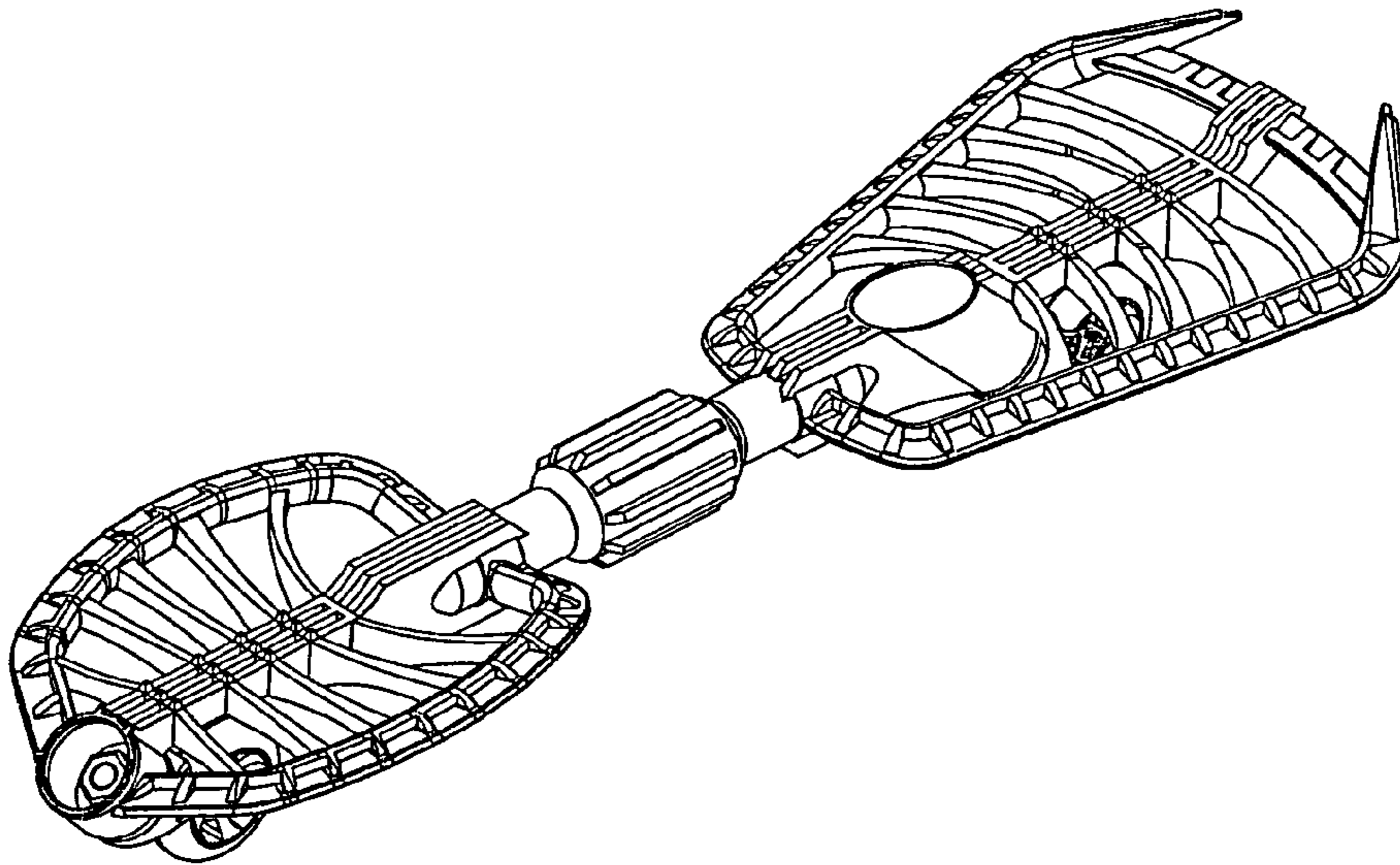


FIGURE 2

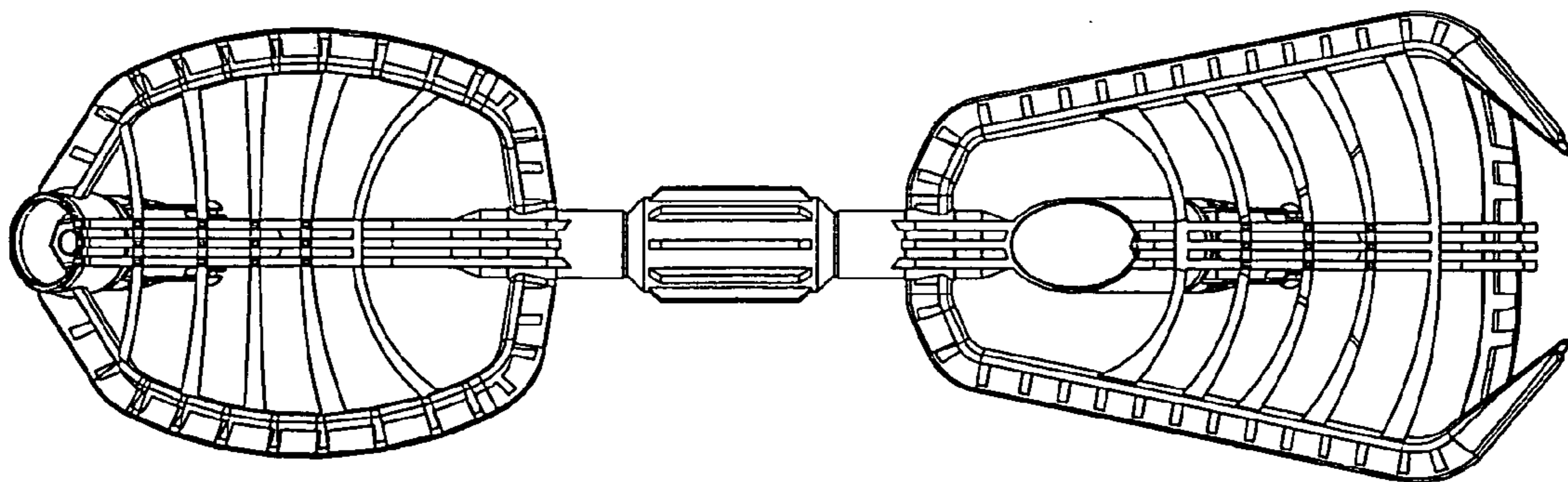


FIGURE 3

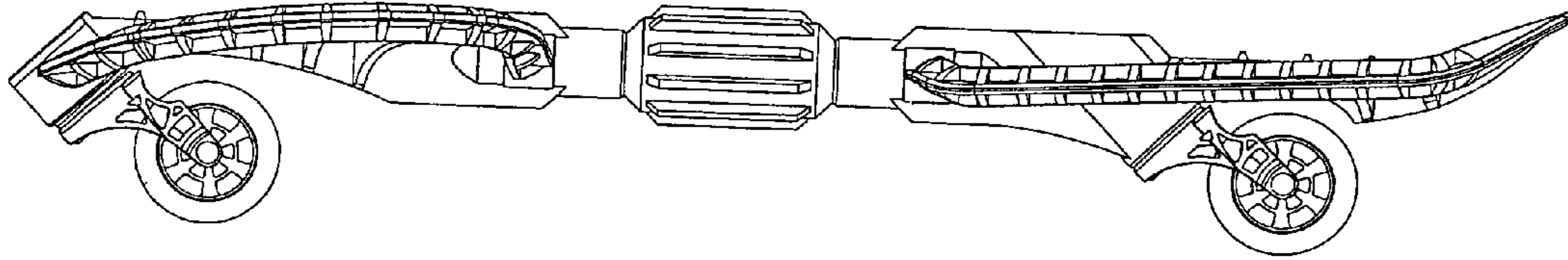


FIGURE 4

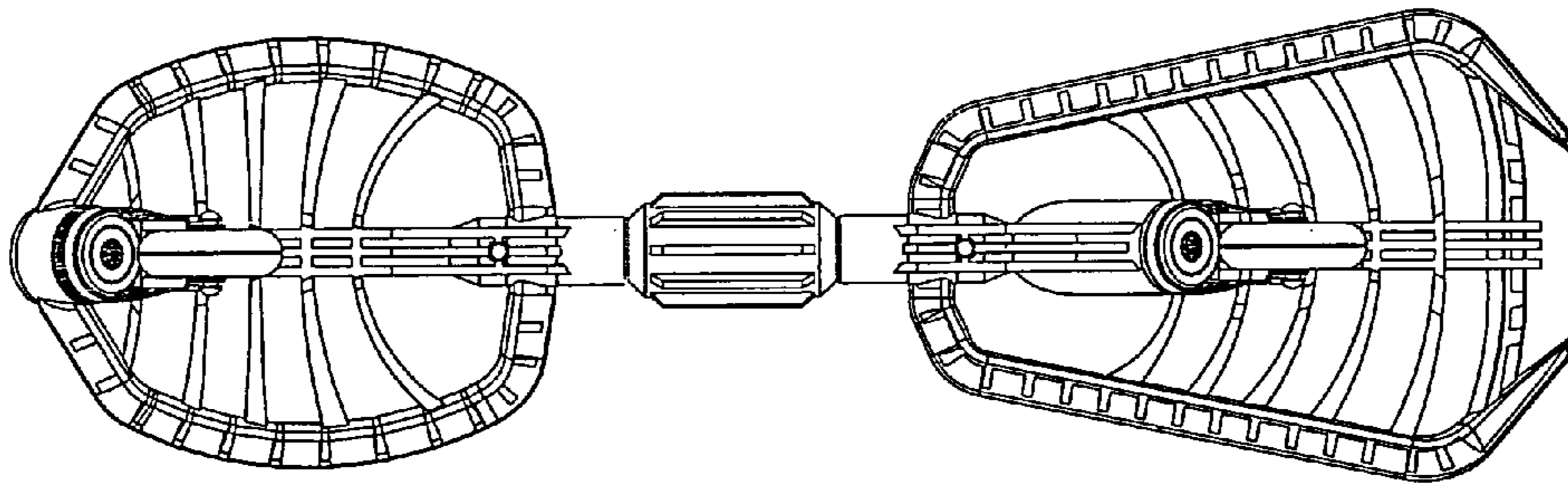


FIGURE 5

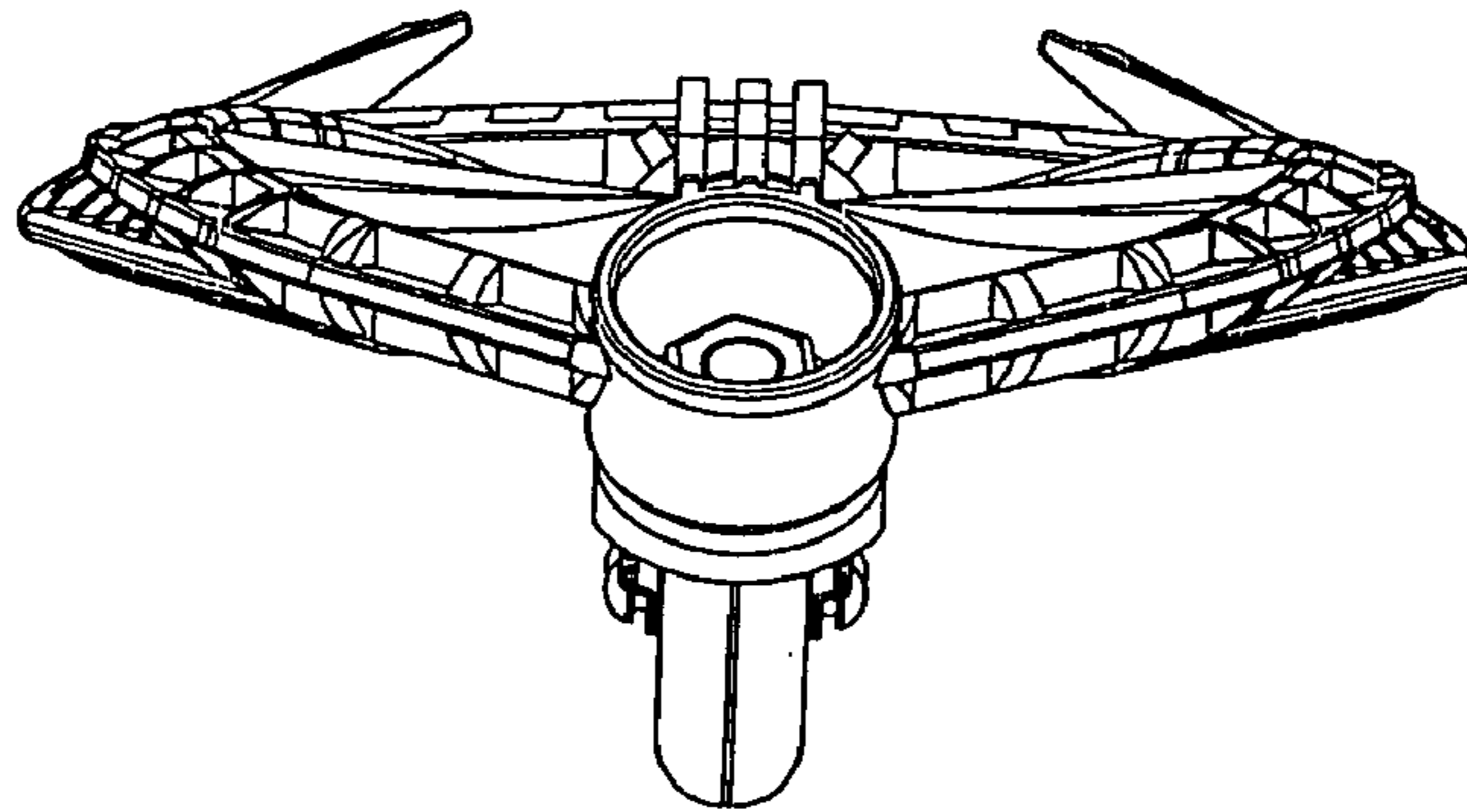


FIGURE 6

