



US00D577788S

(12) **United States Design Patent**
Oldknow et al.

(10) **Patent No.:** **US D577,788 S**
(45) **Date of Patent:** **** Sep. 30, 2008**

(54) **GOLF CLUB HEAD**

(75) Inventors: **Andrew G. V. Oldknow**, Beaverton, OR
(US); **John T. Stites**, Weatherford, TX
(US)

(73) Assignee: **Nike, Inc.**, Beaverton, OR (US)

(**) Term: **14 Years**

(21) Appl. No.: **29/306,206**

(22) Filed: **Apr. 3, 2008**

(51) **LOC (8) Cl.** **21-02**

(52) **U.S. Cl.** **D21/759**

(58) **Field of Classification Search** D21/733,
D21/752, 753, 759; 473/324-331, 343-346
See application file for complete search history.

(56) **References Cited**

U.S. PATENT DOCUMENTS

D247,922 S	5/1978	Sheldon	
D343,665 S	1/1994	Feche et al.	
D355,686 S	2/1995	Hlinka	
5,456,469 A	10/1995	MacDougall	
D369,392 S	4/1996	Adams et al.	
D374,899 S	10/1996	Mahaffey	
D389,885 S	1/1998	Mahaffey et al.	
D390,616 S	2/1998	Maltby	
D399,289 S	10/1998	Sheets et al.	
D416,967 S	11/1999	Ackerman	
D437,017 S	1/2001	Ford	
D442,244 S	5/2001	Olsavsky et al.	
D444,522 S	7/2001	Crousore	
D453,203 S	1/2002	Madore et al.	
D458,325 S	6/2002	Antonious	
D461,513 S	8/2002	Madore et al.	
D461,862 S	8/2002	Madore	
D465,535 S	11/2002	Liou	
6,530,847 B1	3/2003	Antonious	
D479,867 S	9/2003	Saliba et al.	
D481,087 S	10/2003	Antonious	
D489,425 S	5/2004	Rice et al.	
D490,489 S *	5/2004	Madore D21/759

D498,508 S	11/2004	Antonious	
D499,157 S *	11/2004	Antonious D21/752
D499,158 S	11/2004	Imamoto	
6,863,624 B1	3/2005	Kessler	
D507,615 S	7/2005	Imamoto	
D509,552 S	9/2005	Madore	
D510,397 S	10/2005	Madore	
D512,473 S	12/2005	Madore	
D514,184 S	1/2006	Kawami	
D515,642 S	2/2006	Antonious	
D518,123 S	3/2006	Jones et al.	
D524,392 S *	7/2006	Madore et al. D21/759

(Continued)

OTHER PUBLICATIONS

Edwin Watts Summer 1998 Catalog, Taylor Made Ti Bubble 2 Woods, p. 8, dated 1998.

(Continued)

Primary Examiner—Mitchell I Siegel

(74) *Attorney, Agent, or Firm*—Banner & Witcoff, Ltd.

(57) **CLAIM**

The ornamental design for a golf club head, as shown and described.

DESCRIPTION

FIG. 1 is a bottom rear perspective view of a golf club head showing our new design;

FIG. 2 is a bottom front perspective view thereof;

FIG. 3 is a bottom view thereof;

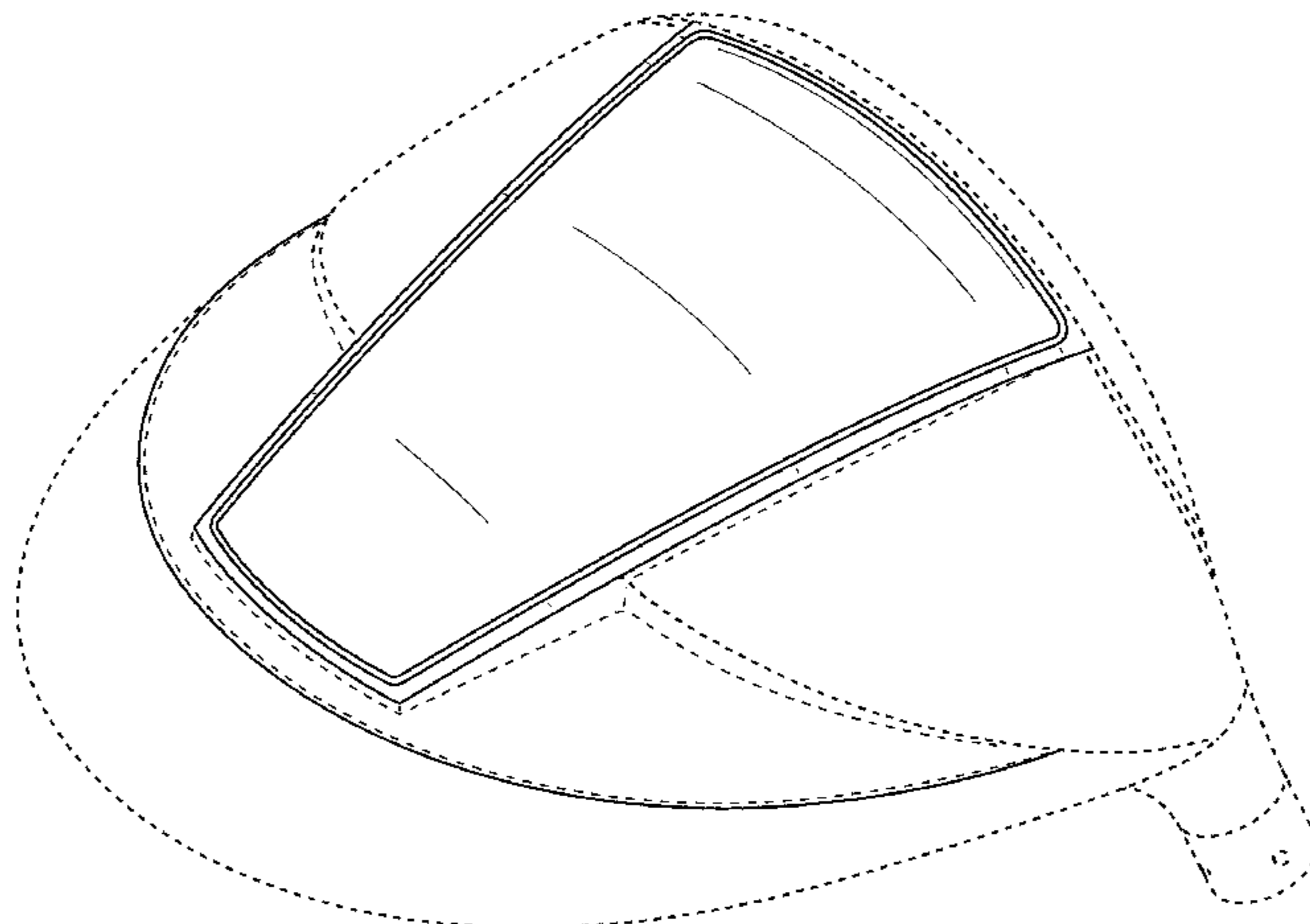
FIG. 4 is a rear view thereof;

FIG. 5 is a heel end view thereof; and,

FIG. 6 is a toe end view thereof.

The broken line immediately adjacent to the shaded area represents an unclaimed boundary of the design. The broken line showing of the remainder of the golf club head is for illustrative purposes only and forms no part of the claimed design.

1 Claim, 4 Drawing Sheets



U.S. PATENT DOCUMENTS

D524,393 S * 7/2006 Madore et al. D21/759
 D524,394 S * 7/2006 Madore et al. D21/759
 D524,395 S * 7/2006 Madore et al. D21/759
 D524,396 S * 7/2006 Madore et al. D21/759
 D524,397 S * 7/2006 Madore et al. D21/759
 D524,398 S 7/2006 Madore et al.
 D524,399 S 7/2006 Madore et al.
 D532,470 S 11/2006 Oldknow
 D532,471 S * 11/2006 Oldknow D21/752
 D532,854 S * 11/2006 Oldknow D21/752
 D532,855 S 11/2006 Madore et al.
 D534,229 S 12/2006 Barez et al.
 D535,713 S 1/2007 Barez et al.
 D537,895 S 3/2007 Breier et al.
 D538,368 S * 3/2007 Rollinson et al. D21/752
 D543,253 S * 5/2007 Oldknow D21/759
 D543,600 S 5/2007 Oldknow
 D544,058 S * 6/2007 Oldknow D21/759
 D544,557 S * 6/2007 Oldknow D21/759
 D544,558 S * 6/2007 Oldknow D21/759
 D544,559 S 6/2007 Oldknow
 D544,561 S * 6/2007 Oldknow D21/759
 D544,560 S 7/2007 Oldknow
 D550,318 S * 9/2007 Oldknow D21/759
 D550,800 S * 9/2007 Ruggiero et al. D21/759
 D553,210 S * 10/2007 Harvell et al. D21/752
 D553,211 S * 10/2007 Harvell et al. D21/752
 D553,216 S * 10/2007 Harvell et al. D21/759
 D553,217 S * 10/2007 Harvell et al. D21/759
 D554,213 S 10/2007 Tang et al.

D561,856 S 2/2008 Barez et al.

OTHER PUBLICATIONS

Edwin Watts Summer 2003 Catalog, Macgregor V-Cavity, p. 72, dated 2003.
 Edwin Watts Late Summer 2004 Catalog, Taylor Made 200 Series, p. 84, dated 2004.
 Edwin Watts Late Summer 2004 Catalog, Taylor Made 300 Series, p. 84, dated 2004.
 Edwin Watts Summer 2002 Catalog, Taylor Made 200 Steel Driver, p. 9, dated 2002.
 Edwin Watts Jan. 2003 Catalog, EV (Extra Velocity) Woods, p. 19, dated Jan. 2003.
 Edwin Watts Spring 2004 Catalog, V Steel Fairway Wood, p. 8, dated 2004.
 Edwin Watts Spring 2004, Adams Ovation Fairway Wood, p. 30, dated 2004.
 Golfsmith 1998 Catalog, XPC3 15-5 Stainless Steel, p. 50, dated 1998.
 Edwin Watts Holiday 2000, Pure Spin Driver and Fairway Woods, p. 29, dated 2000.
 Goldsmith 2001 Catalog, T1 Steel 465, p. 34, dated 2001.
 Golf-Components.com—Senior SV2@ Future Square 460cc (Nike Sumo 5900 clone) Driver, viewed Apr. 3, 2008.
 ProSeries Golf—SV2 Future—Nike Style, viewed Apr. 3, 2008.
 ProSeries Golf—SV2 Future Square—Nike Style, viewed Apr. 3, 2008.
 ProSeries Golf—SV2 Plus Hi MOI Wide Sole—Nike Style, viewed Apr. 3, 2008.

* cited by examiner

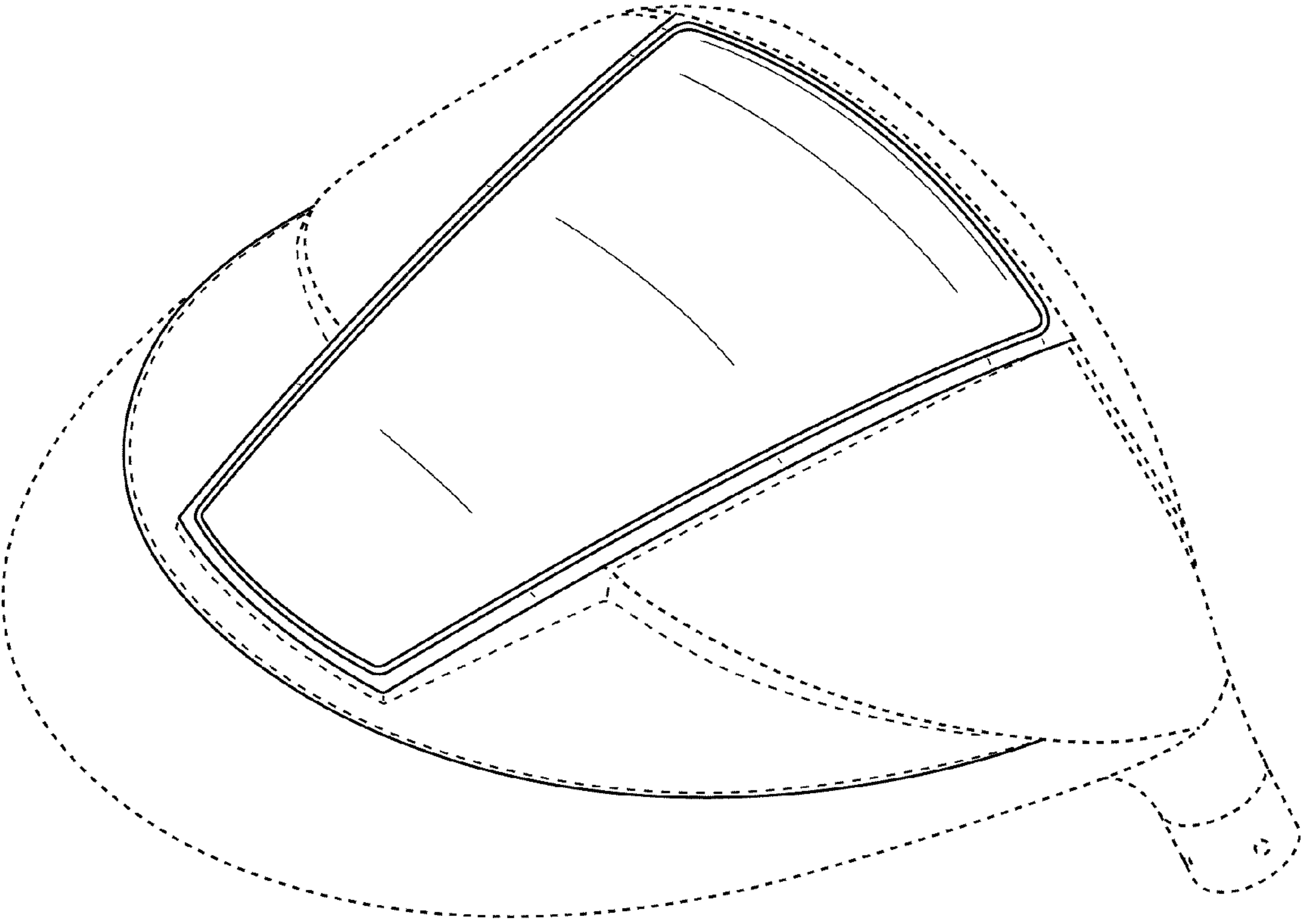


FIG. 1

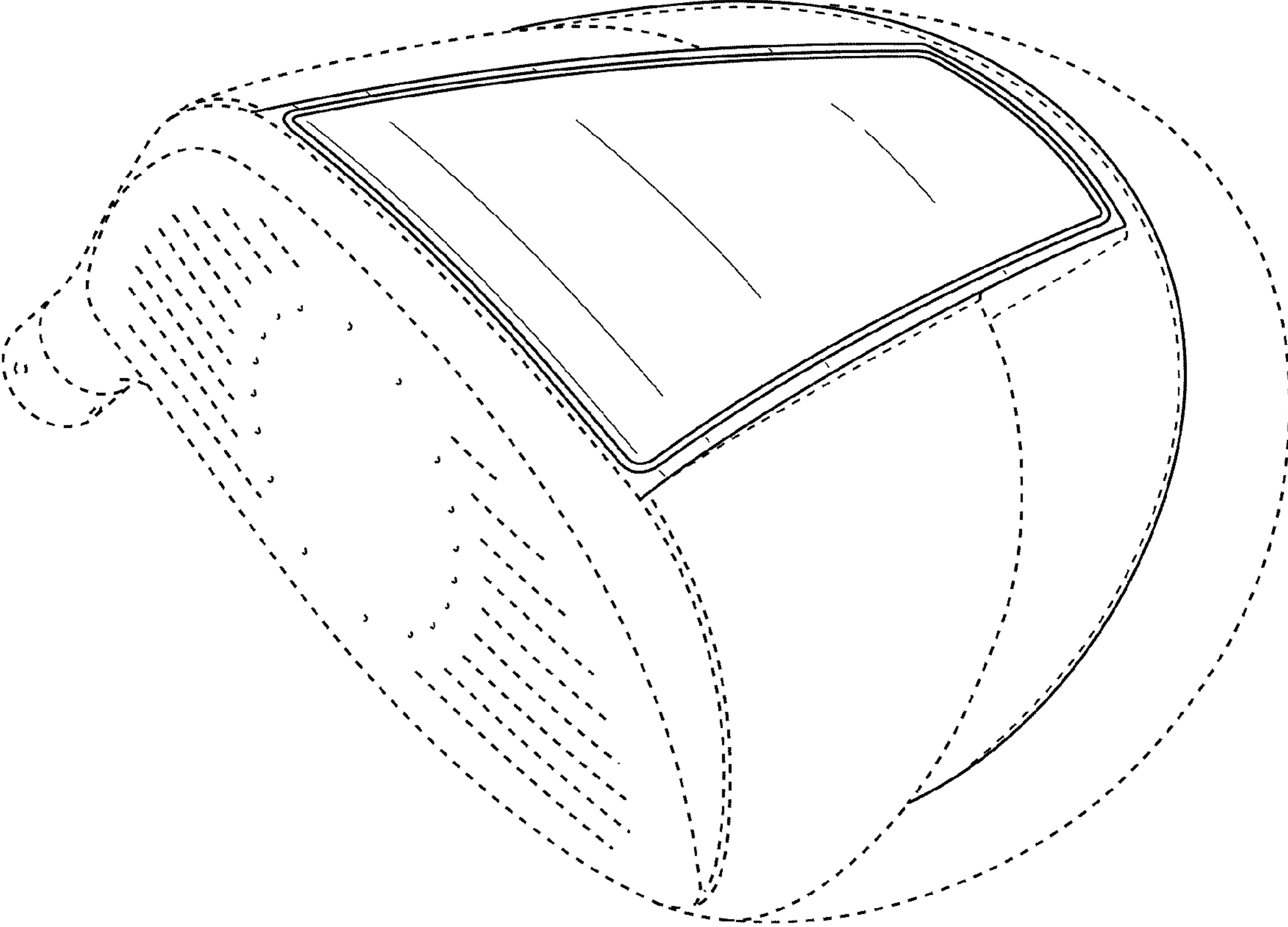


FIG. 2

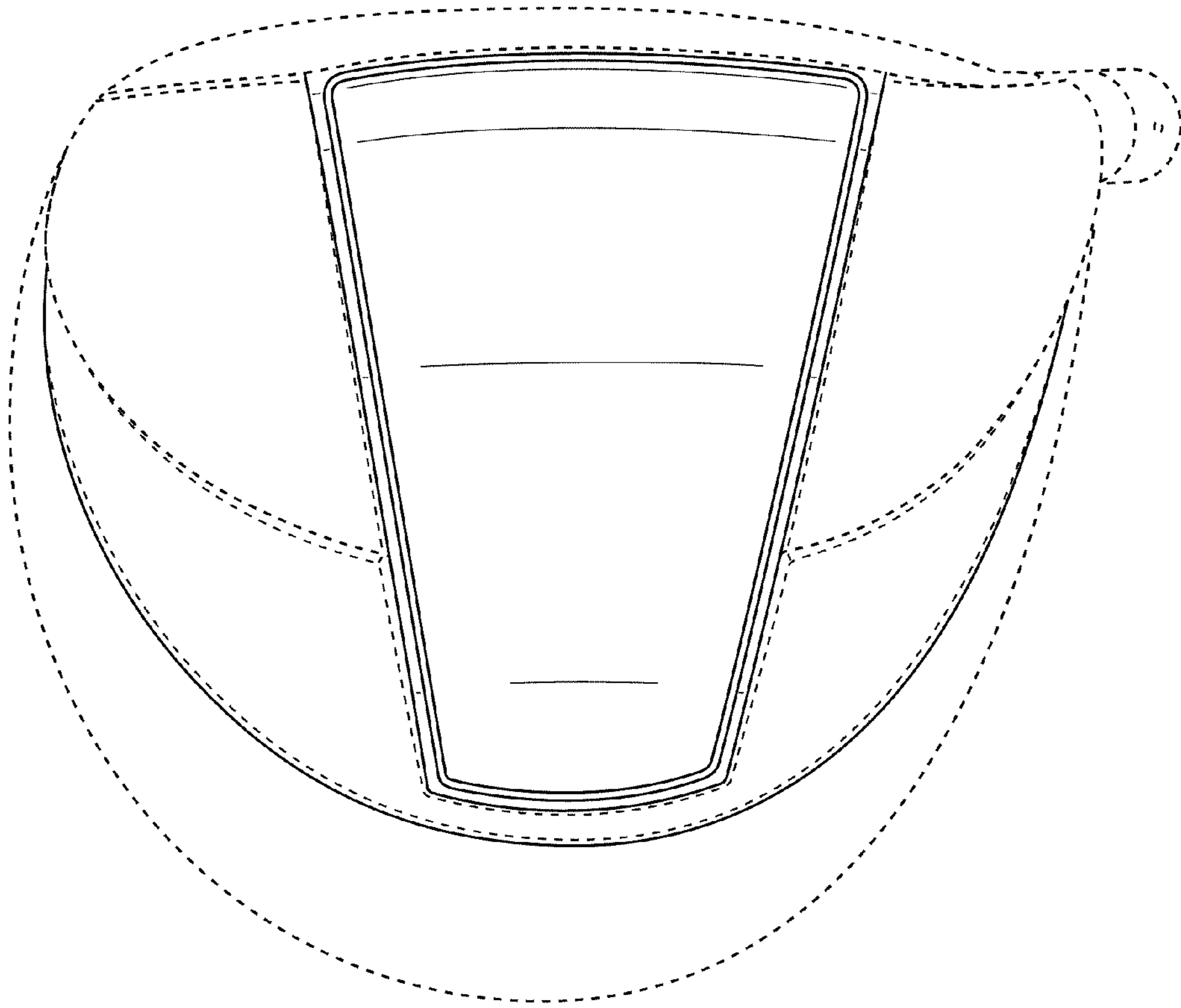


FIG. 3

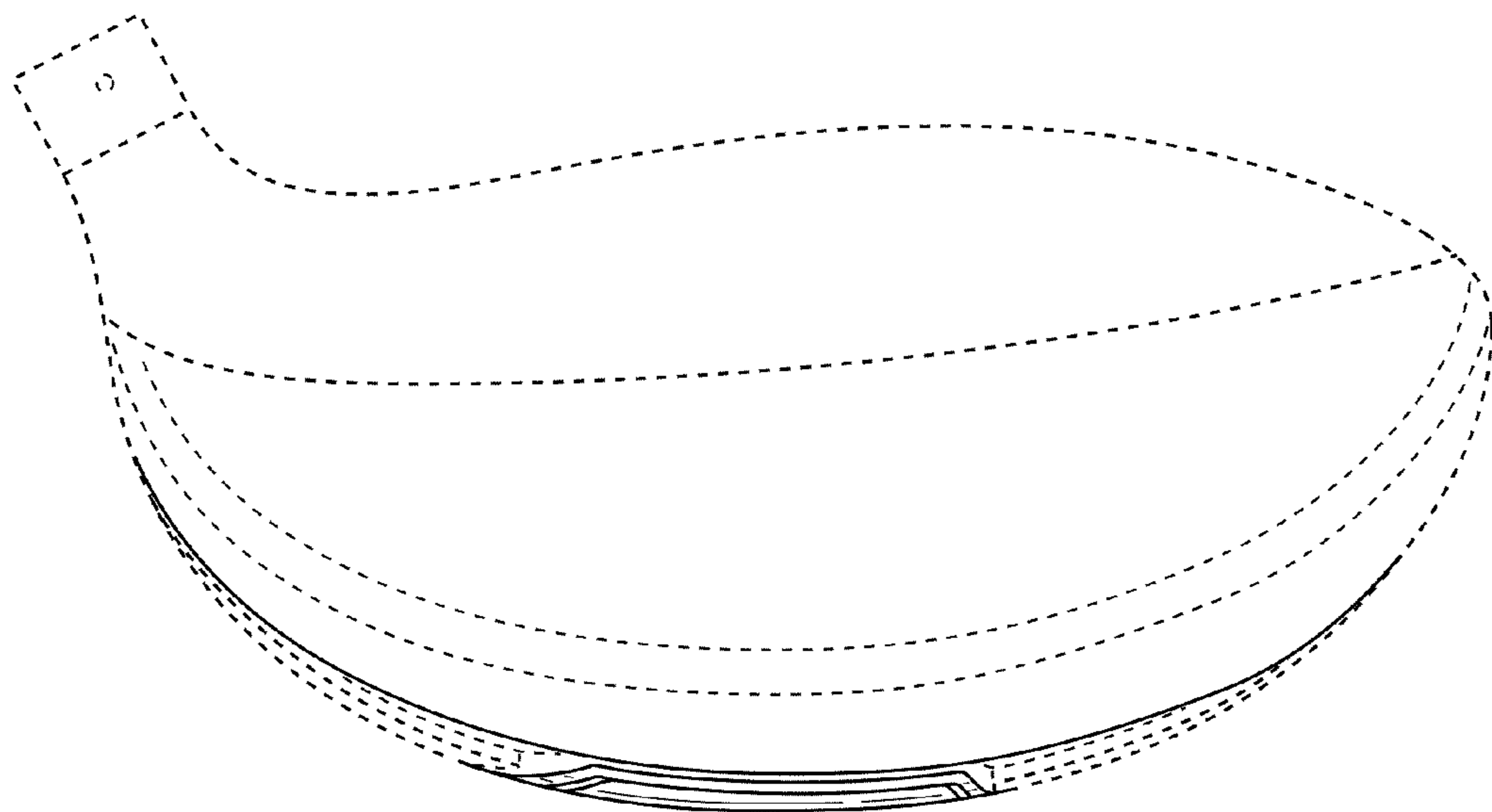


FIG. 4

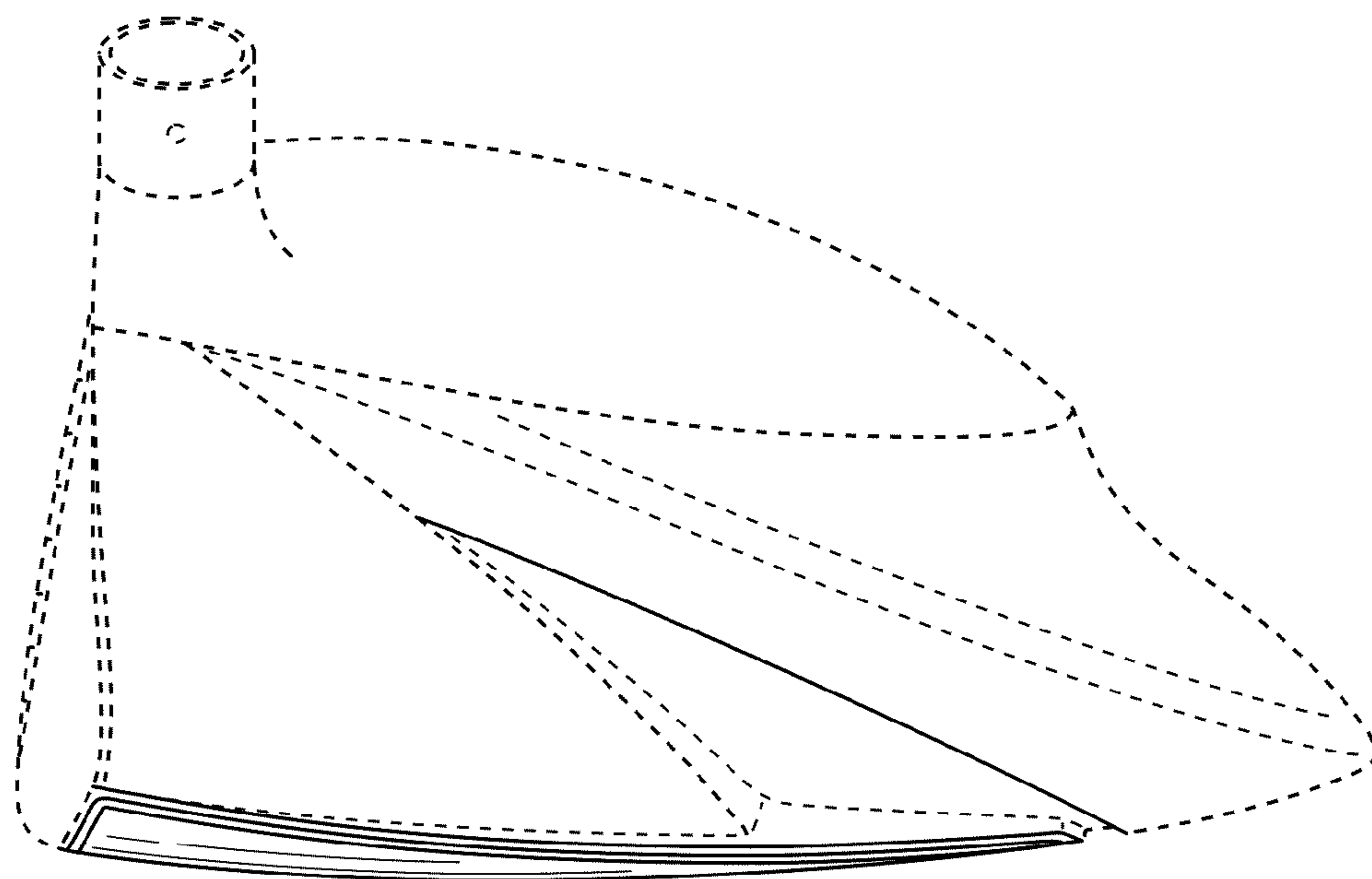


FIG. 5

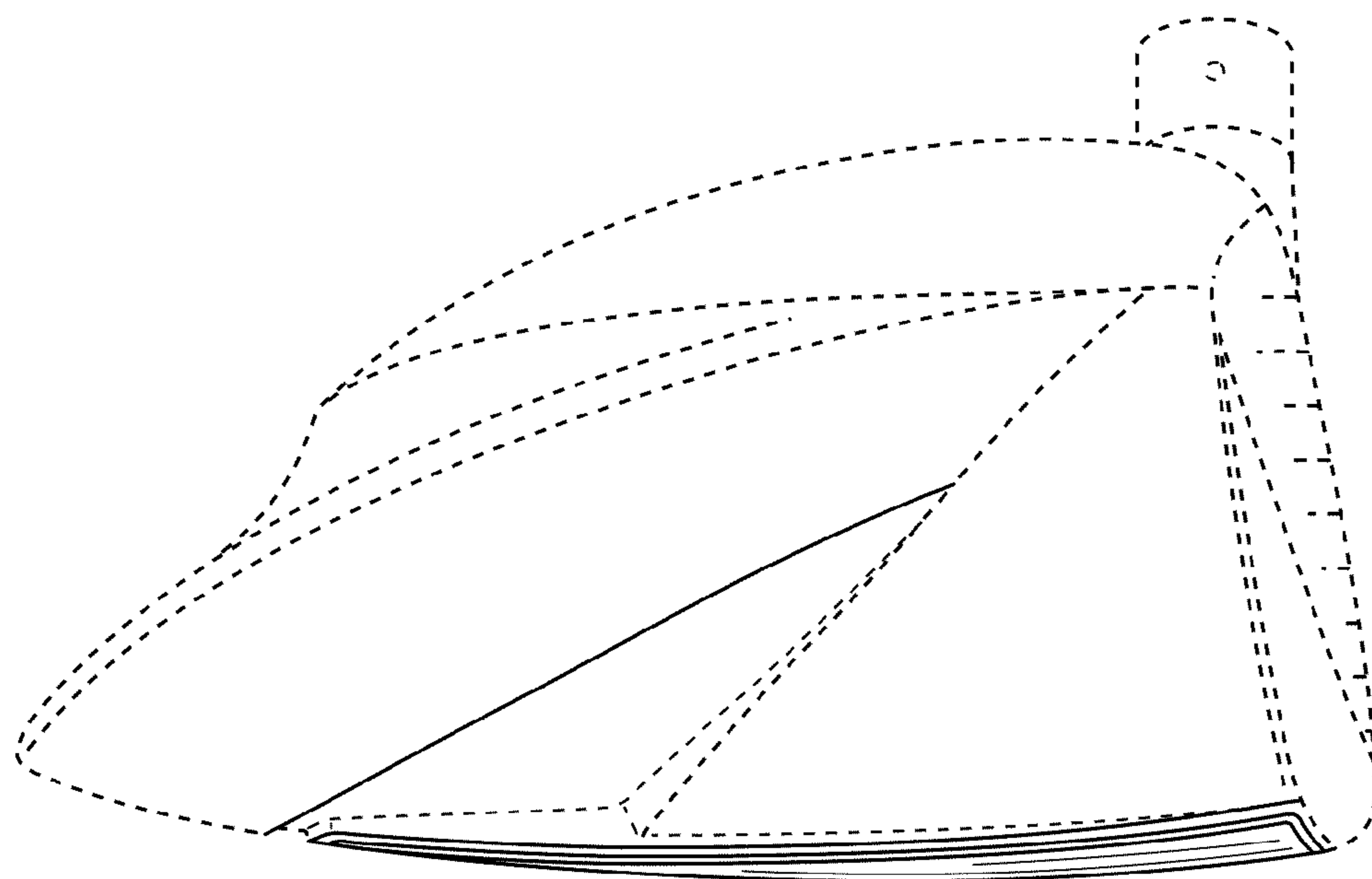


FIG. 6