



US00D577781S

(12) **United States Design Patent**
Grace

(10) **Patent No.:** **US D577,781 S**

(45) **Date of Patent:** **** Sep. 30, 2008**

(54) **REMOVABLE PUTTER FACEPLATE**

(75) Inventor: **Robert M. Grace**, St. Pete Beach, FL
(US)

(73) Assignee: **MacGregor Golf Company**, Albany,
GA (US)

(**) Term: **14 Years**

(21) Appl. No.: **29/274,966**

(22) Filed: **Jun. 13, 2007**

(51) **LOC (8) Cl.** **21-02**

(52) **U.S. Cl.** **D21/759**

(58) **Field of Classification Search** D21/736-746,
D21/752, 759; 473/324-331, 340-341
See application file for complete search history.

(56) **References Cited**

U.S. PATENT DOCUMENTS

- 3,516,674 A * 6/1970 Scarborough 473/341
- 5,332,214 A * 7/1994 Tucker, Sr. 473/329
- 6,375,583 B1 * 4/2002 Solheim 473/329

- 6,929,564 B2 * 8/2005 Olsavsky et al. 473/340
- D553,702 S * 10/2007 Frame et al. D21/759
- 2005/0130764 A1 * 6/2005 Frame 473/340

* cited by examiner

Primary Examiner—Mitchell I Siegel

(74) *Attorney, Agent, or Firm*—Buchanan Ingersoll &
Rooney PC

(57) **CLAIM**

The ornamental design for a removable putter faceplate, as
shown and described.

DESCRIPTION

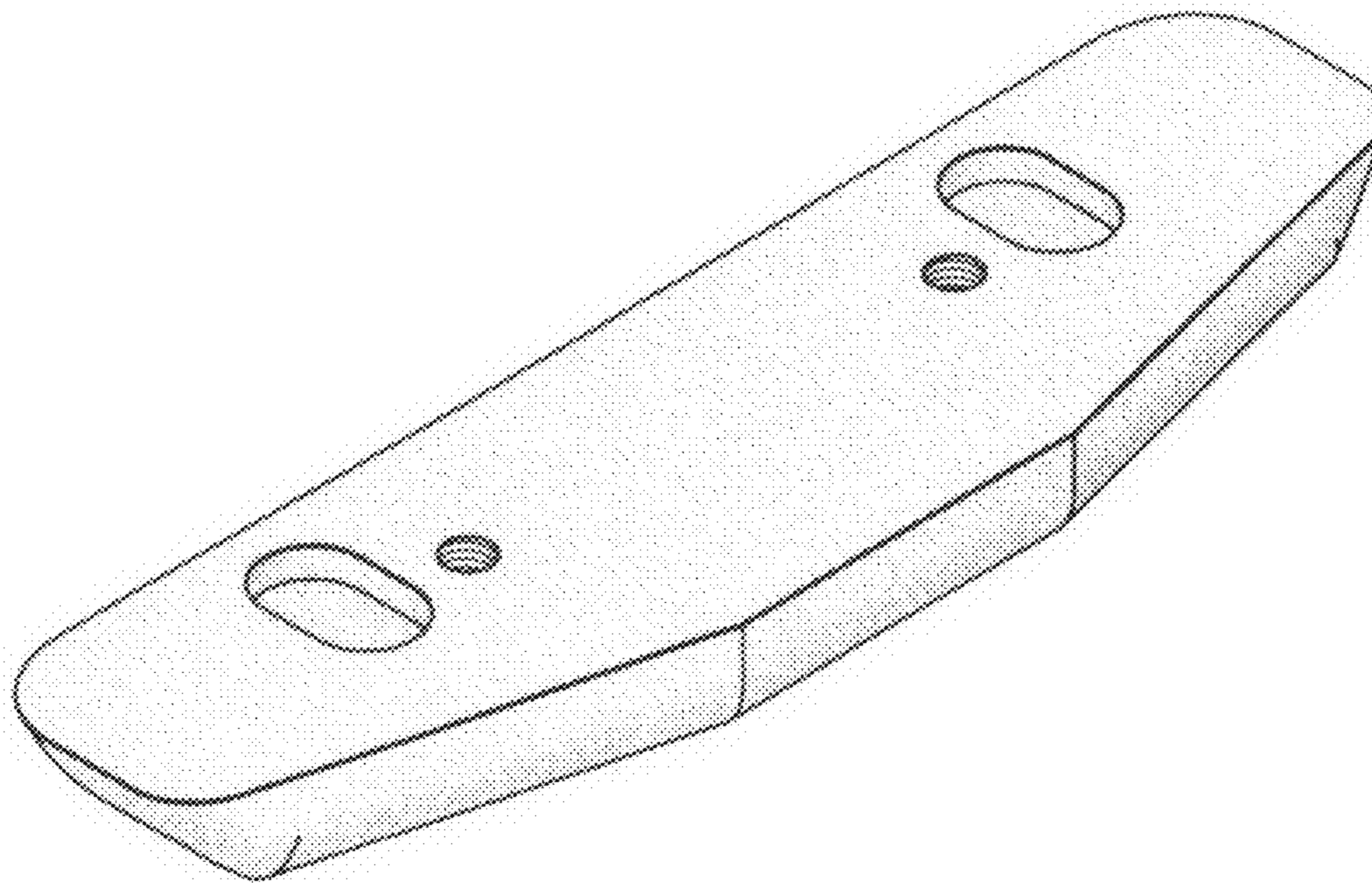
FIG. 1 is a bottom, rear perspective view of a removable putter
faceplate showing my new design.

FIG. 2 is a rear view thereof.

FIG. 3 is a cross-sectional view taken generally along line
3—3 shown in FIG. 2; and,

FIG. 4 is a cross-sectional view taken generally along line
4—4 shown in FIG. 2.

1 Claim, 1 Drawing Sheet



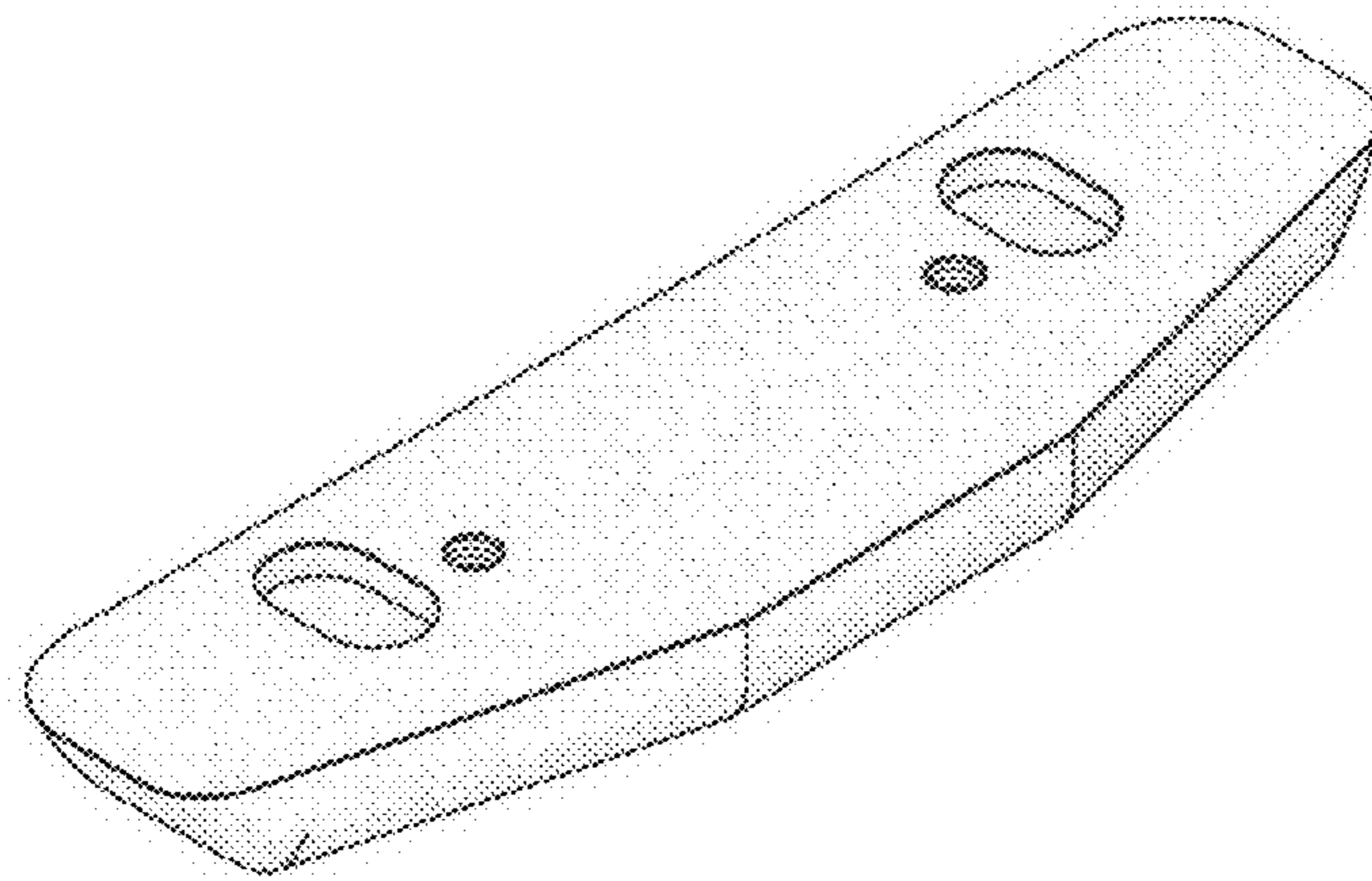


FIG. 1

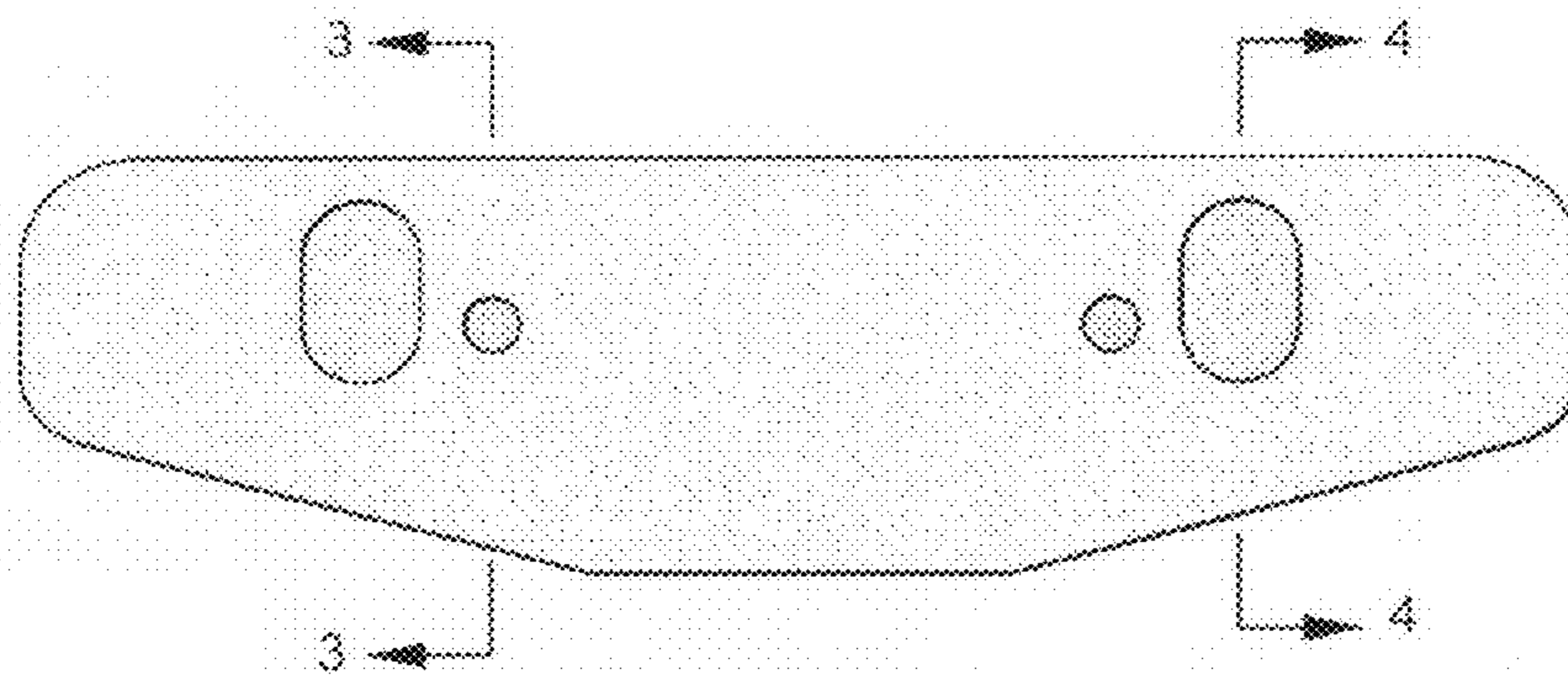


FIG. 2

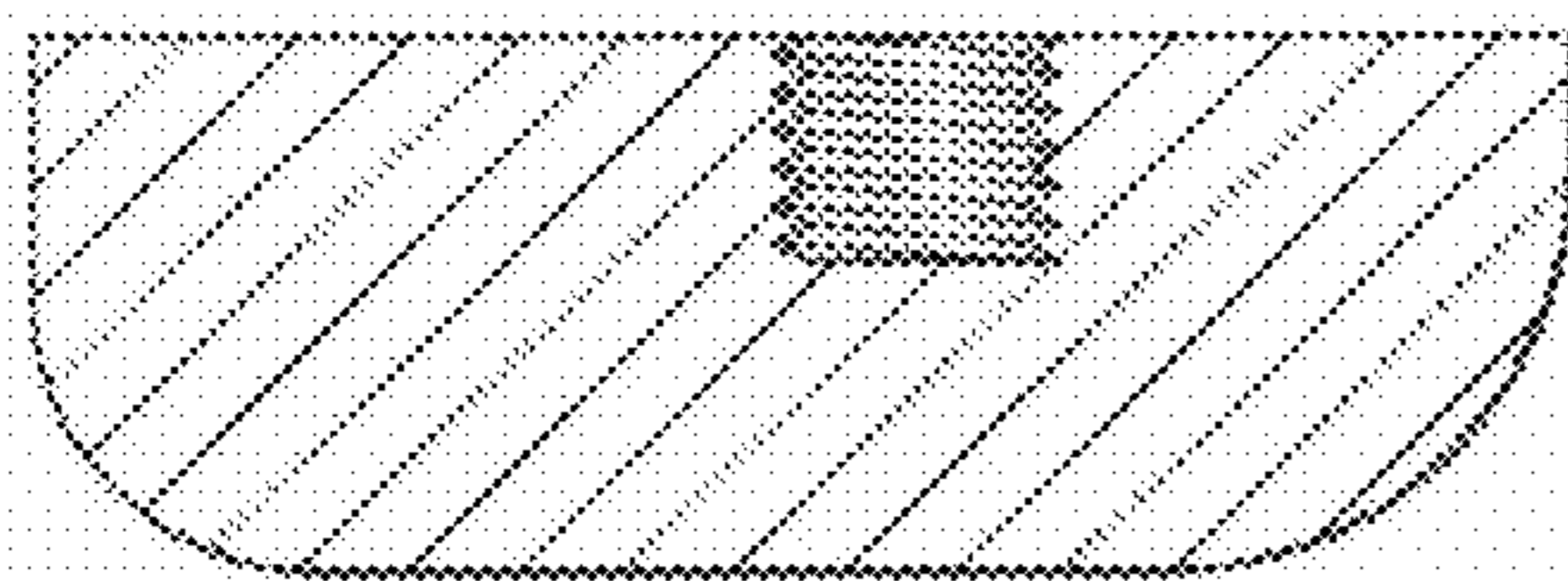


FIG. 3

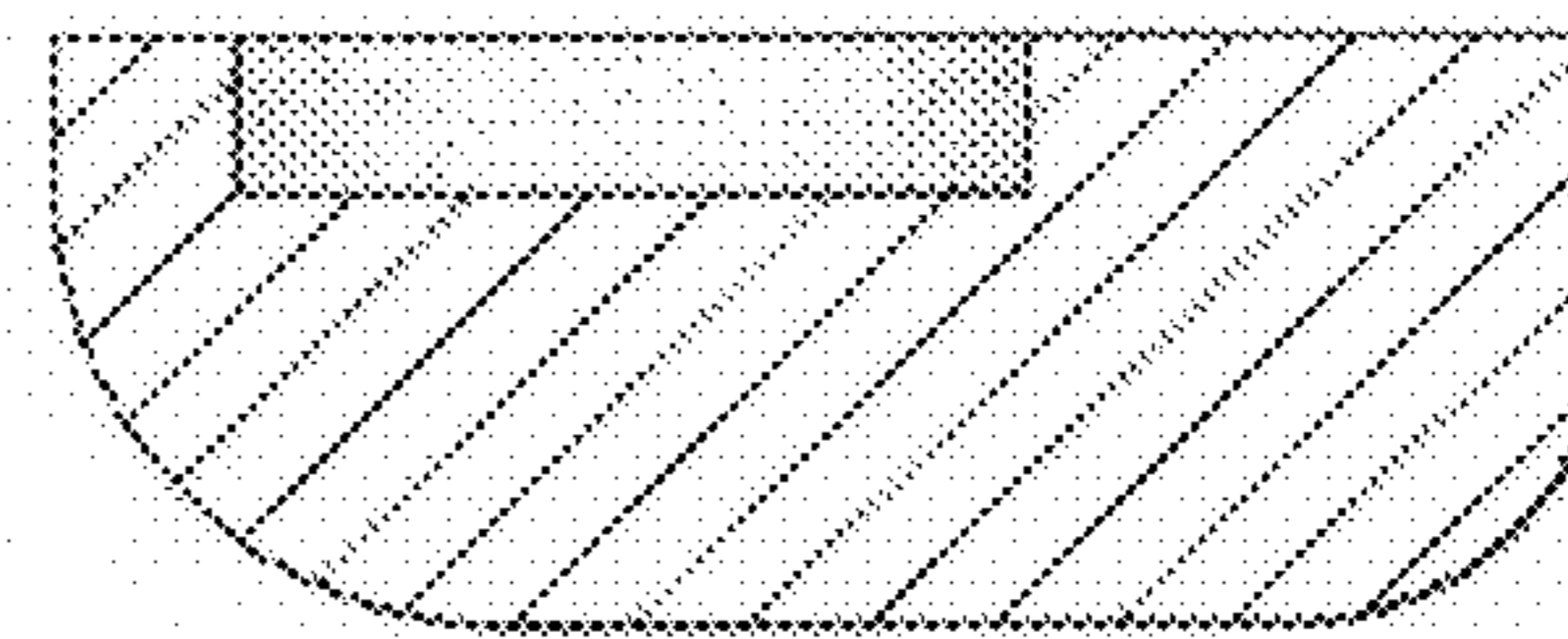


FIG. 4