

US00D57777S

(12) **United States Design Patent**
Shen

(10) **Patent No.:** **US D577,777 S**

(45) **Date of Patent:** **** Sep. 30, 2008**

(54) **CURVED TOY STOVE**

D488,520 S * 4/2004 Yuen D21/524

(76) Inventor: **Ziming Shen**, 225 Howard Ave., Staten Island, NY (US) 10301

* cited by examiner

(**) Term: **14 Years**

Primary Examiner—Holly H. Baynham

Assistant Examiner—Cynthia M Chin

(74) *Attorney, Agent, or Firm*—Alfred M. Walker

(21) Appl. No.: **29/301,524**

(22) Filed: **Mar. 4, 2008**

(57) **CLAIM**

The ornamental design for a curved toy stove, as shown and described.

(51) **LOC (8) Cl.** **21-01**

(52) **U.S. Cl.** **D21/524**

(58) **Field of Classification Search** D21/483,
D21/490, 494, 519, 523, 524; D7/339, 340,
D7/346–348; D23/271, 272, 286; 446/479–481
See application file for complete search history.

DESCRIPTION

FIG. 1 is a perspective view of a curved toy stove, showing my new design;

FIG. 2 is a front elevation view thereof;

FIG. 3 is a top plan view thereof;

FIG. 4 is a left side elevation view thereof;

FIG. 5 is a right side elevation view thereof; and,

FIG. 6 is a rear view thereof.

The child and all other elements shown in phantom lines is shown for environmental purposes only, and forms no part of the claimed design.

(56) **References Cited**

U.S. PATENT DOCUMENTS

D73,776 S	*	11/1927	Carrick	D23/272
D82,388 S	*	10/1930	Murray	D23/272
D154,577 S	*	7/1949	Asaro	D23/272
D165,605 S	*	1/1952	Page	D21/524
D261,404 S	*	10/1981	Appel et al.	D21/524
D288,702 S	*	3/1987	Bedell et al.	D21/524
D328,623 S	*	8/1992	Zinter-Chahin	D21/524
D396,072 S	*	7/1998	Katzman et al.	D21/524

1 Claim, 6 Drawing Sheets

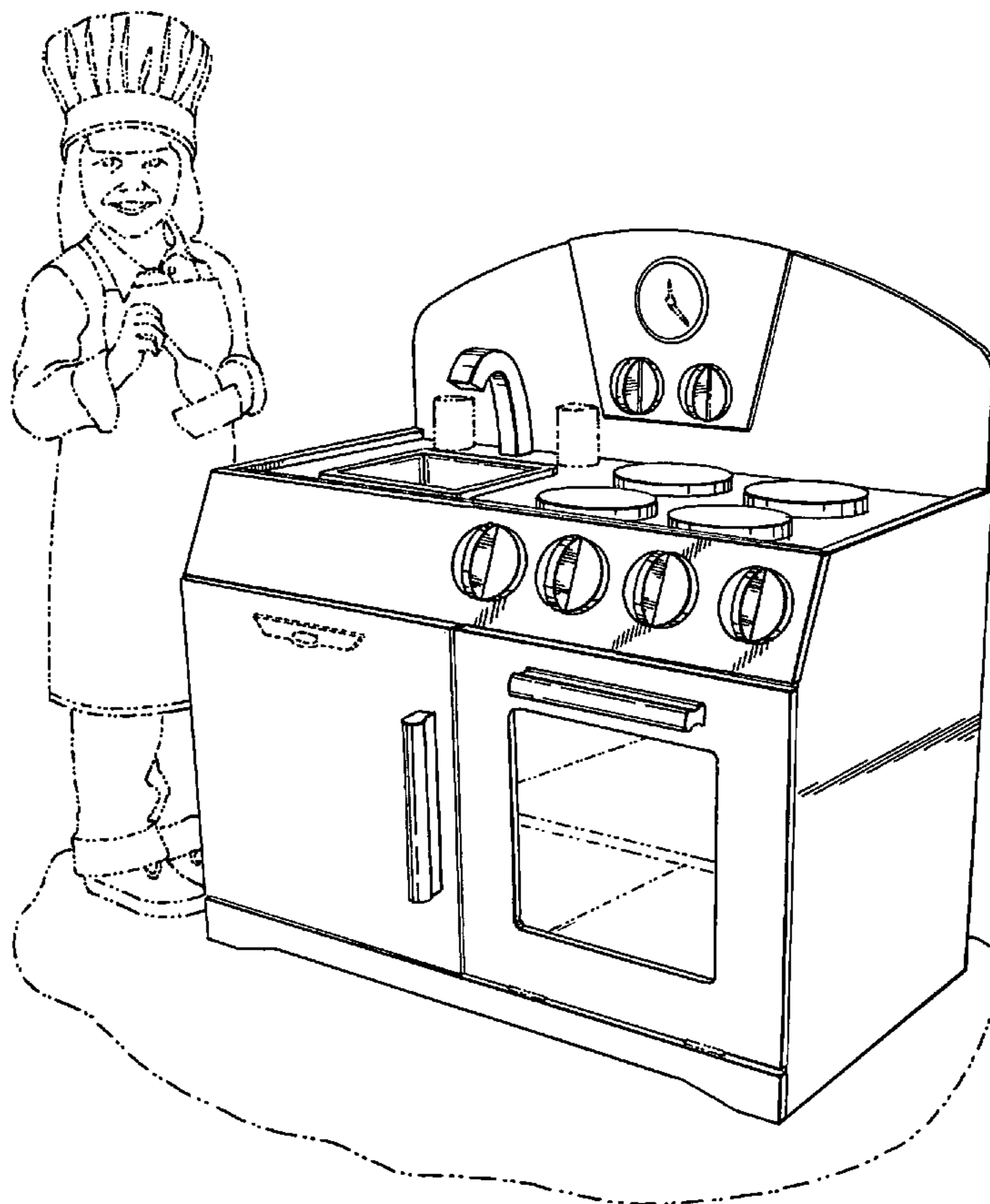
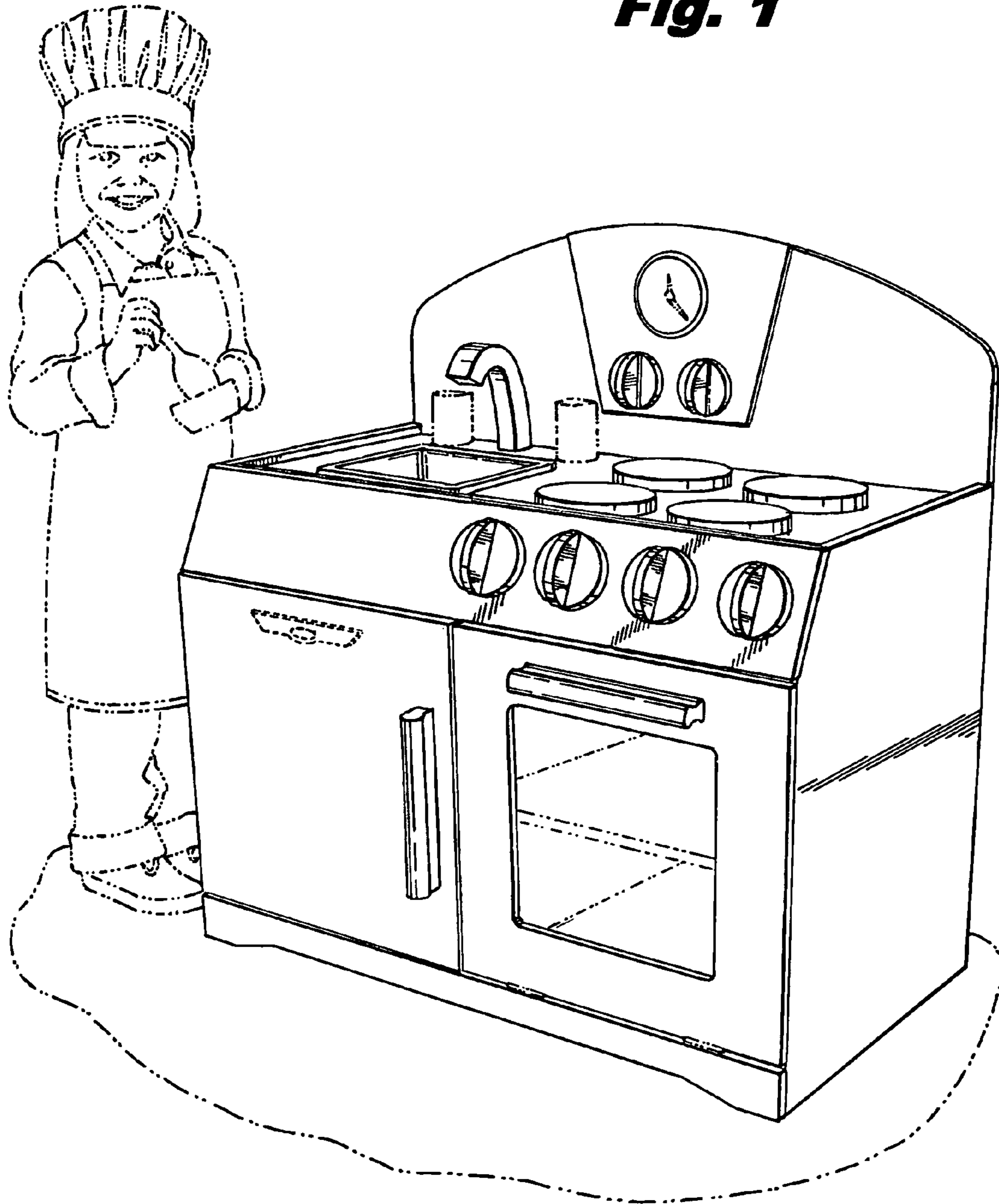


Fig. 1



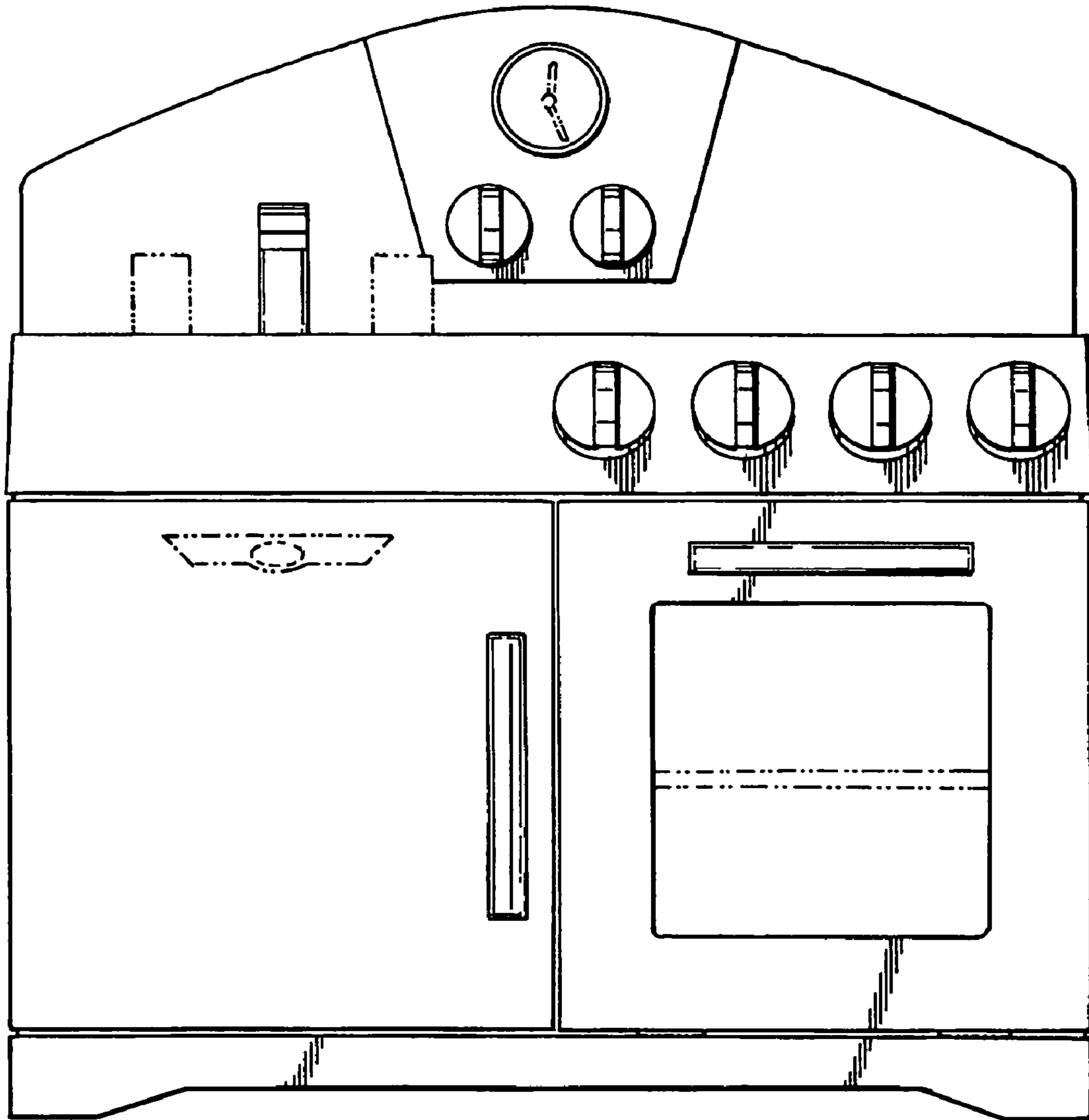


Fig. 2

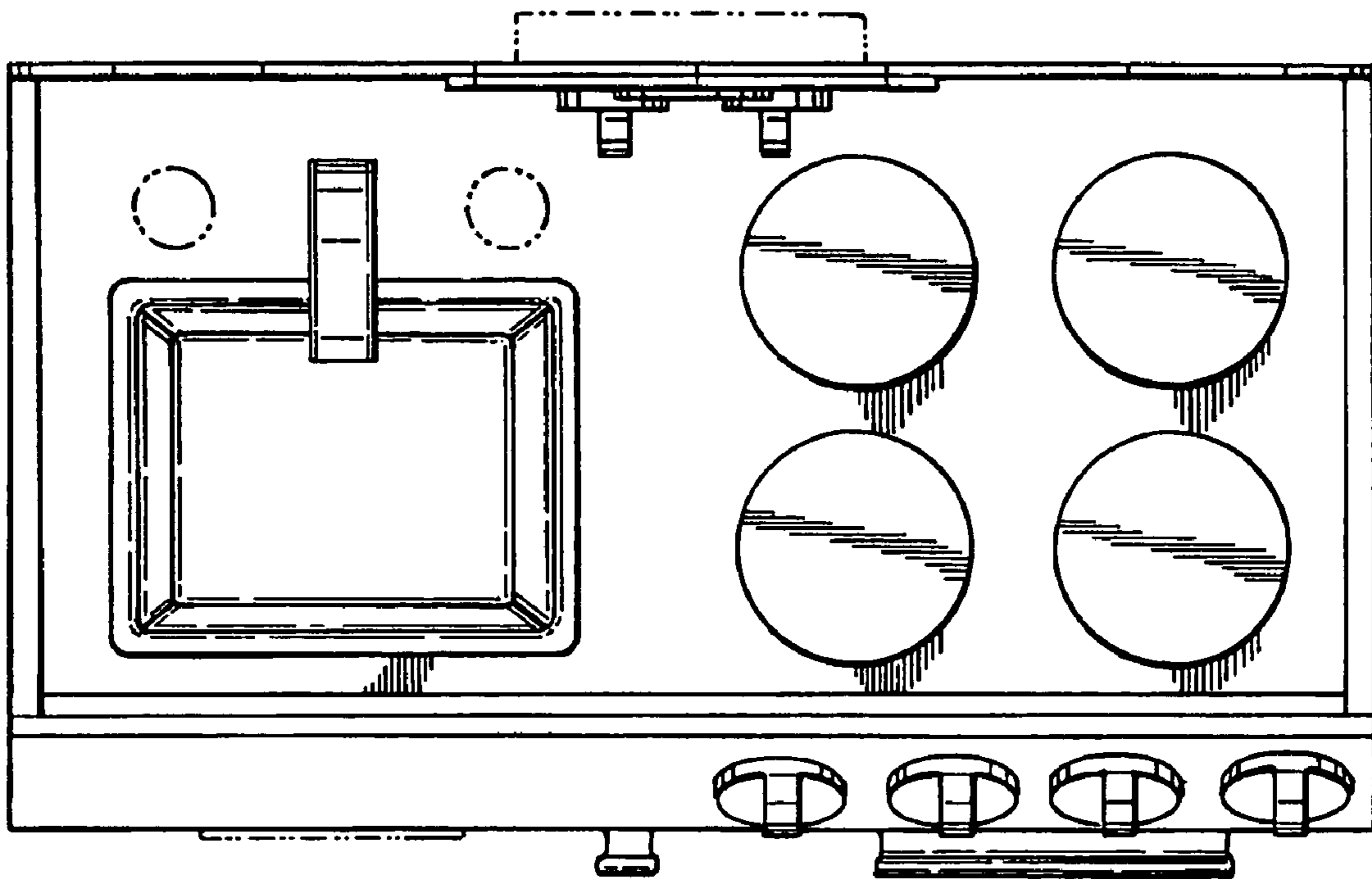


Fig. 3

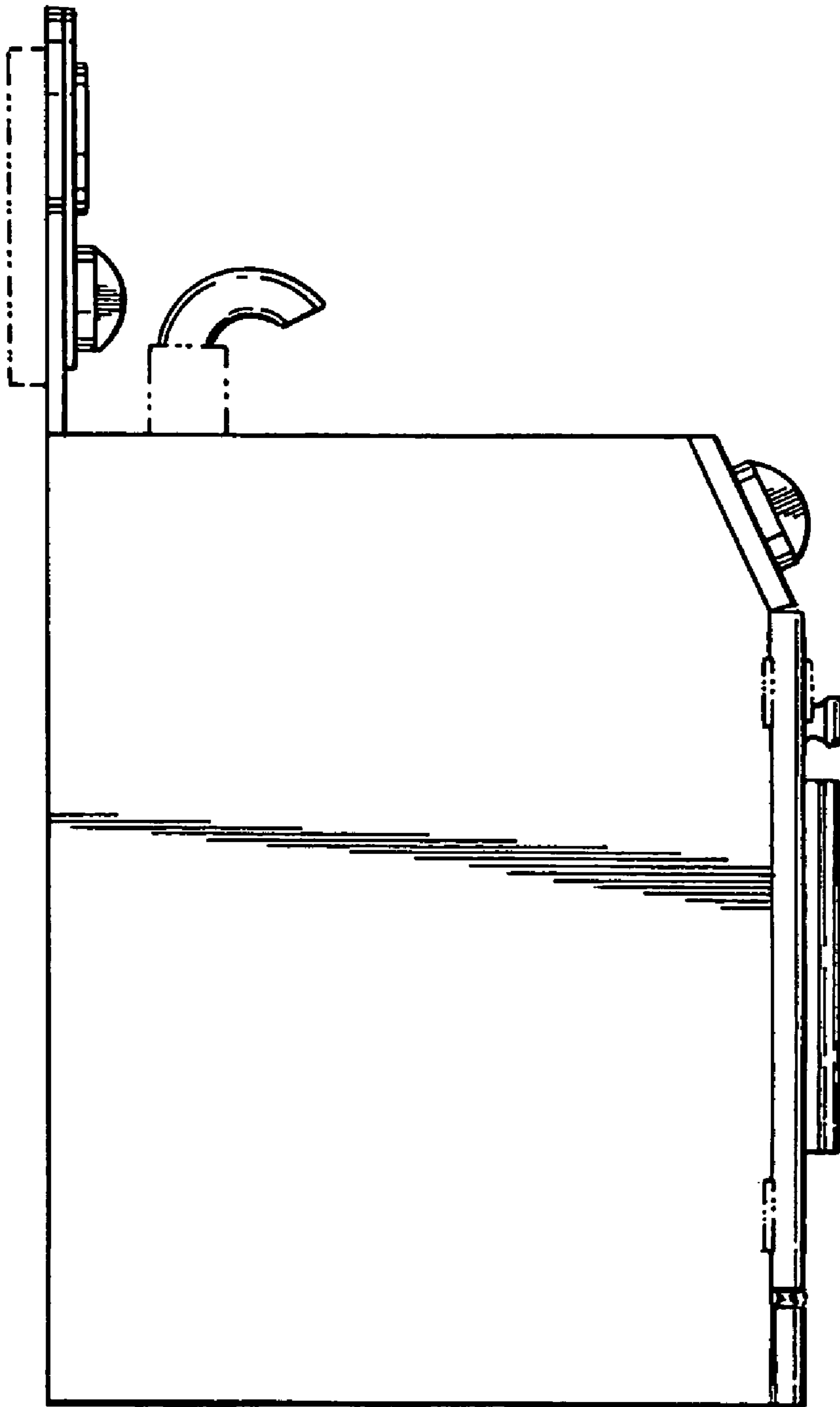


Fig. 4

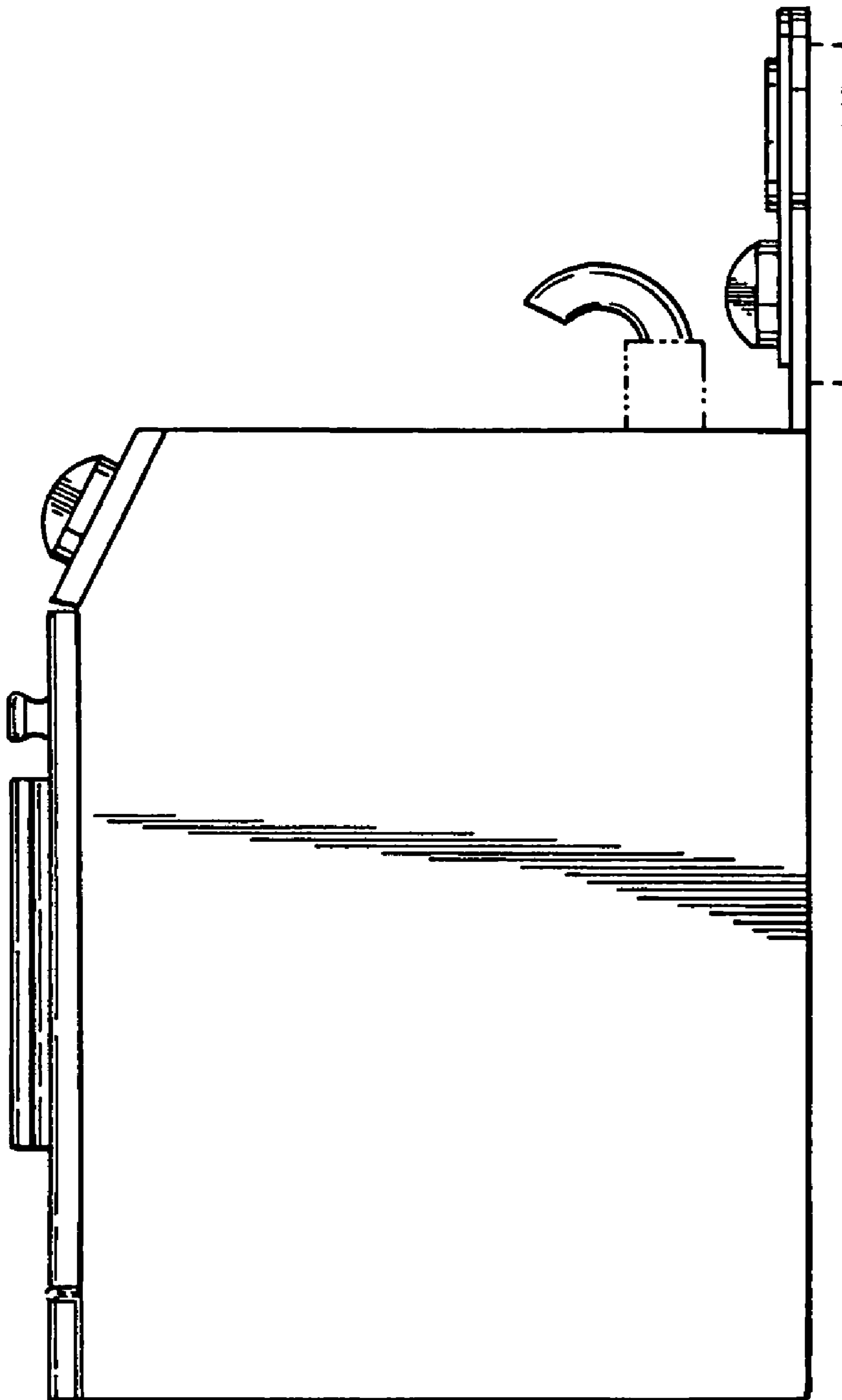


Fig. 5

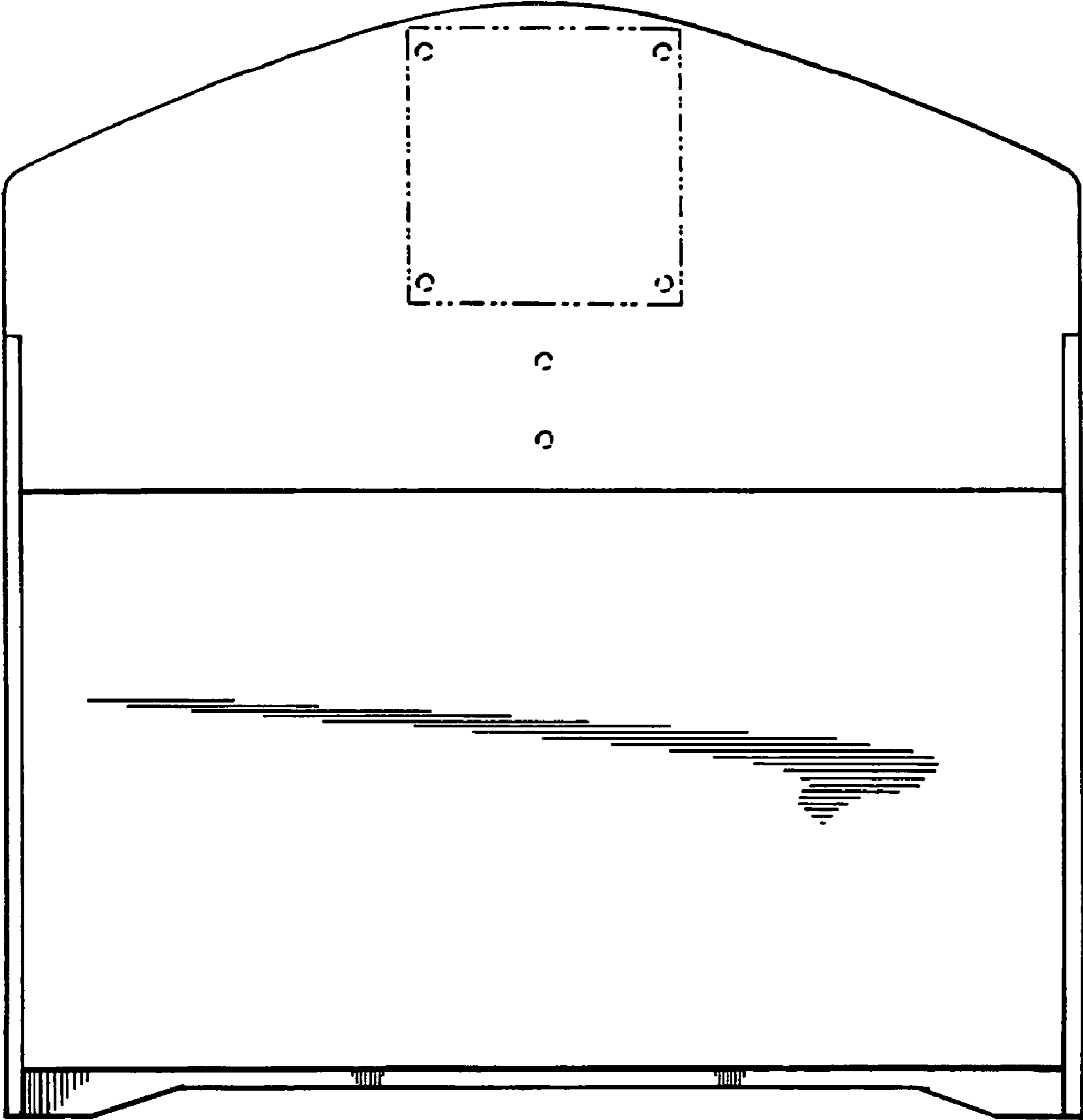


Fig. 6