



US00D577771S

(12) **United States Design Patent**
Kouda

(10) **Patent No.:** **US D577,771 S**
(45) **Date of Patent:** **** Sep. 30, 2008**

(54) **COATING FILM TRANSFER APPARATUS**

(75) Inventor: **Yoshinori Kouda**, Tokyo (JP)

(73) Assignee: **Tombow Pencil Co., Ltd.**, Tokyo (JP)

(**) Term: **14 Years**

(21) Appl. No.: **29/292,478**

(22) Filed: **Oct. 12, 2007**

(30) **Foreign Application Priority Data**

Apr. 19, 2007 (JP) 2007-010478

(51) **LOC (8) Cl.** **19-02**

(52) **U.S. Cl.** **D19/69**

(58) **Field of Classification Search** D19/66,
D19/67, 68, 69, 70; 156/523, 257, 540, 577;
206/411; 225/6, 25, 39, 77; 242/588, 588.1,
242/588.2, 588.3, 588.6, 598.5

See application file for complete search history.

(56) **References Cited**

U.S. PATENT DOCUMENTS

D355,934	S	*	2/1995	Oga et al.	D19/69
D369,385	S	*	4/1996	Lapointe	D19/69
5,512,128	A	*	4/1996	Manusch et al.	156/577
5,851,347	A	*	12/1998	Rodriguez	156/576
D410,494	S	*	6/1999	Hoffmann	D19/69
D421,059	S	*	2/2000	Shimizu	D19/69
D424,619	S	*	5/2000	Katami	D19/69
D436,625	S	*	1/2001	Katami	D19/69
6,206,072	B1	*	3/2001	Orihara et al.	156/540
6,360,805	B1	*	3/2002	Takahashi	156/540
D456,450	S	*	4/2002	Kimura	D19/69
6,453,968	B1	*	9/2002	Hsu	156/577
D466,939	S	*	12/2002	Lee	D19/69
D476,035	S	*	6/2003	Katami	D19/69
D494,221	S	*	8/2004	Suzuki	D19/69

D524,373	S	*	7/2006	Kimura	D19/69
D527,766	S	*	9/2006	Mitsui et al.	D19/69
2002/0033237	A1	*	3/2002	Narita et al.	156/577
2002/0062928	A1	*	5/2002	Ishikawa	156/523
2002/0153106	A1	*	10/2002	Huthmacher	156/577
2003/0024652	A1	*	2/2003	Huthmacher et al.	156/577
2003/0205332	A1	*	11/2003	Shinya	156/577
2005/0056377	A1	*	3/2005	Tominaga	156/540
2005/0139327	A1	*	6/2005	Mitsui et al.	156/577
2006/0244558	A1	*	11/2006	Kinugasa et al.	335/202

* cited by examiner

Primary Examiner—Cathron Brooks

Assistant Examiner—Austin Murphy

(74) *Attorney, Agent, or Firm*—Scott D. Wofsy; Edwards Angell Palmer & Dodge LLP

(57) **CLAIM**

The ornamental design for a coating film transfer apparatus, as is shown and described.

DESCRIPTION

FIG. 1 is a front view of the coating film transfer apparatus of the subject invention;

FIG. 2 is a rear view of the coating film transfer apparatus of the subject invention;

FIG. 3 is a top view of the coating film transfer apparatus of the subject invention;

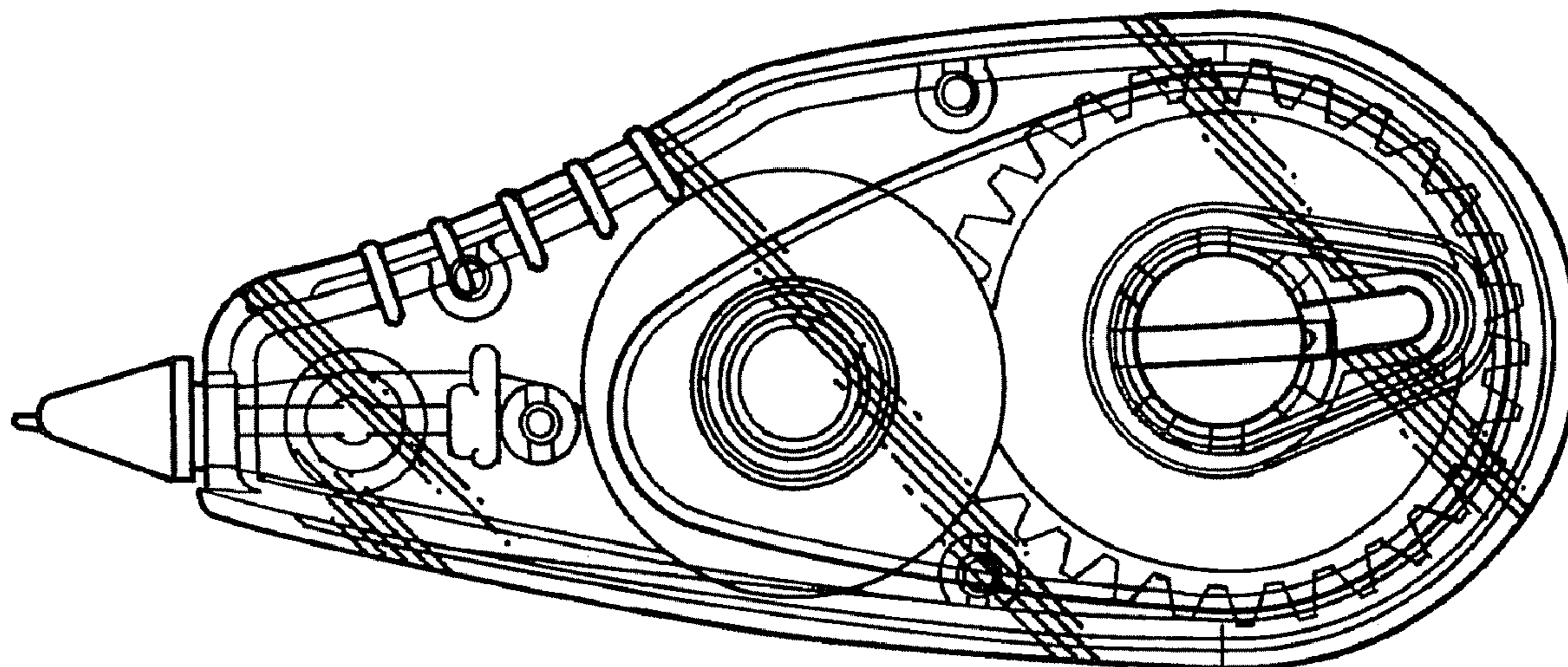
FIG. 4 is a bottom view of the coating film transfer apparatus of the subject invention;

FIG. 5 is a left side view of the coating film transfer apparatus of the subject invention;

FIG. 6 is a right side view of the coating film transfer apparatus of the subject invention; and,

FIG. 7 is a perspective view of the coating film transfer apparatus of the subject invention.

1 Claim, 7 Drawing Sheets



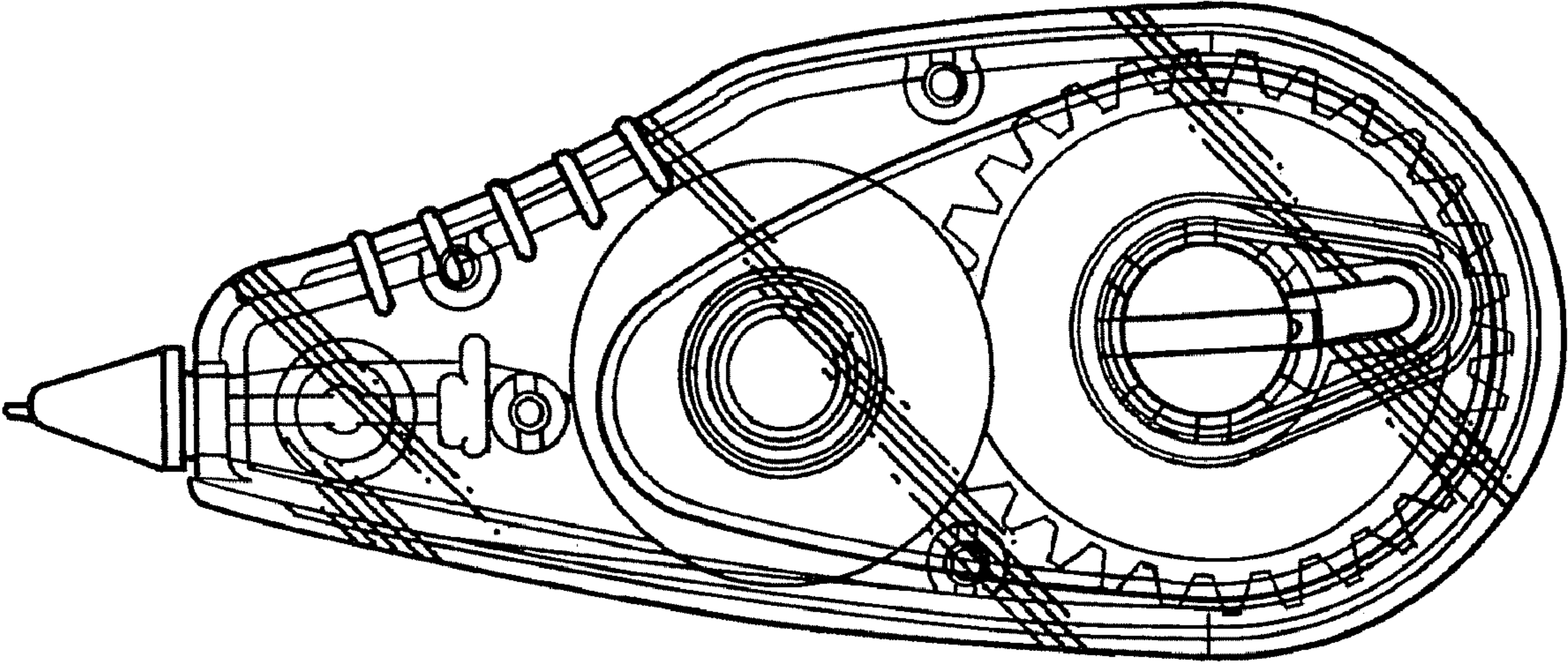


FIG. 1

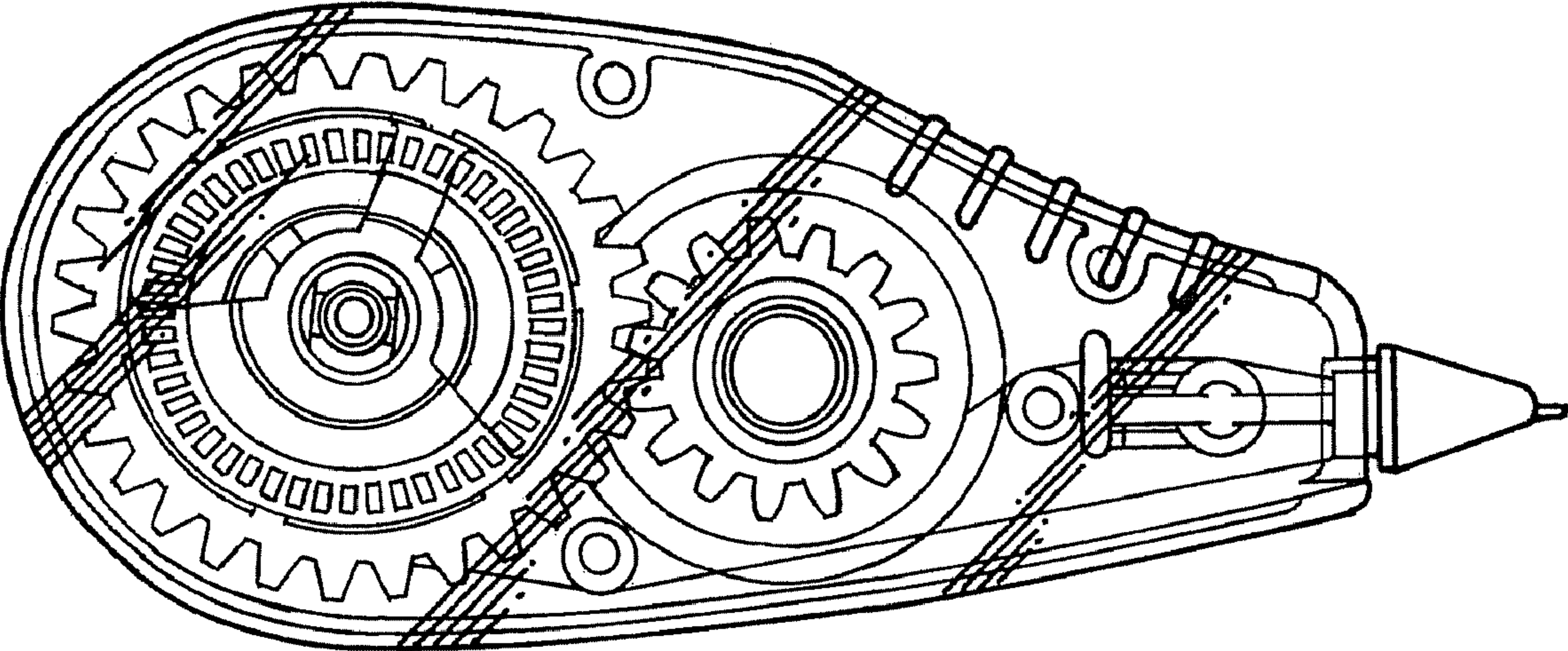


FIG. 2

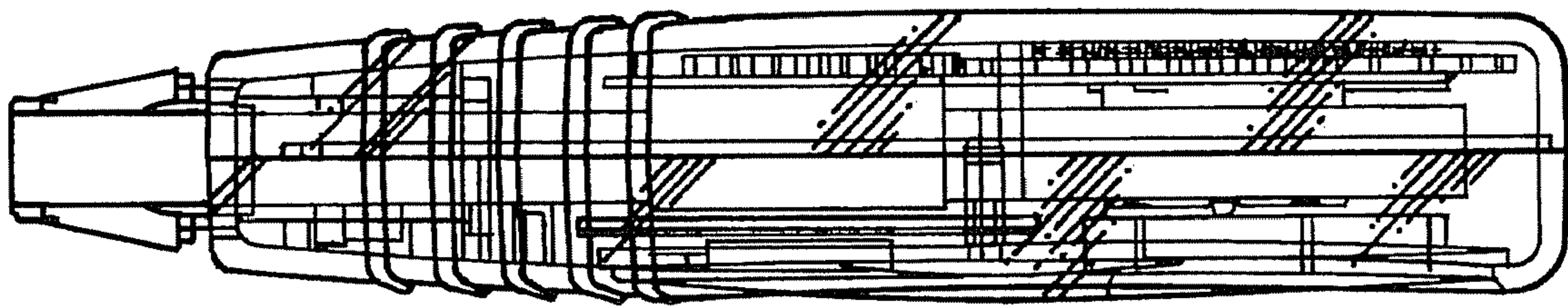


FIG. 3

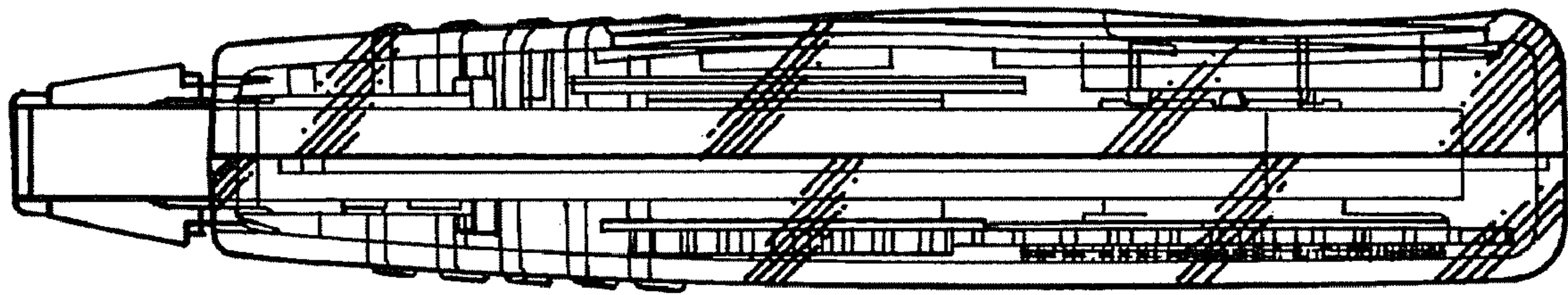


FIG. 4

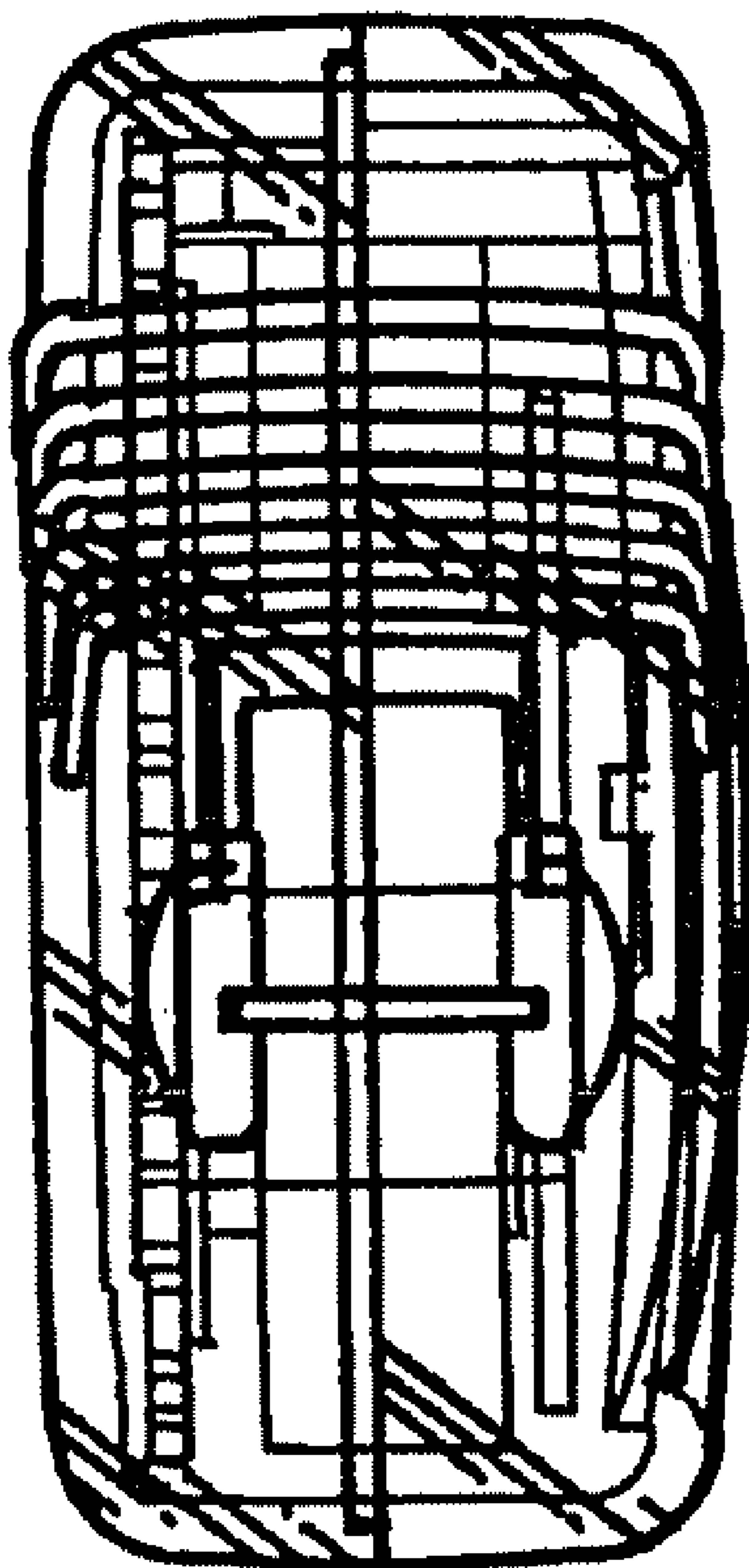


FIG. 5

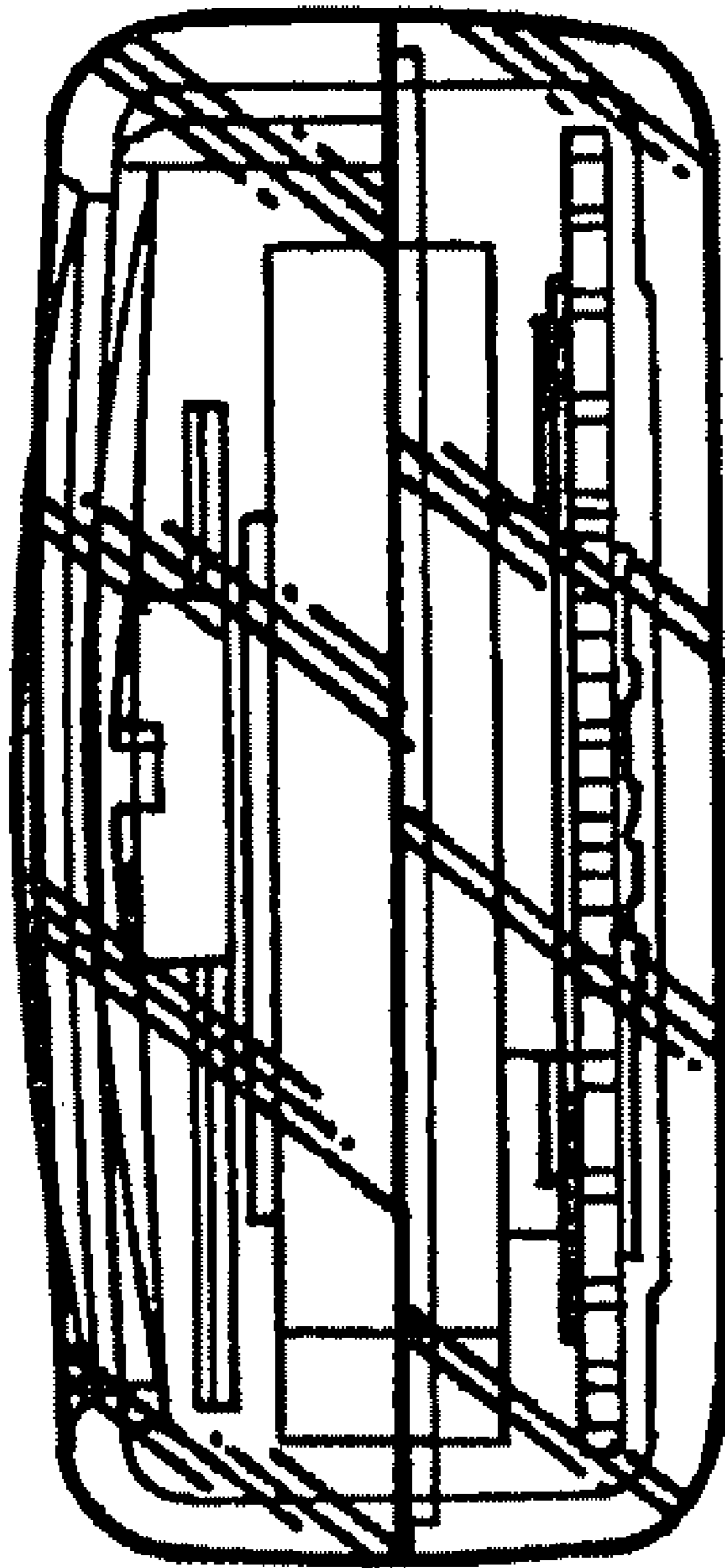


FIG. 6

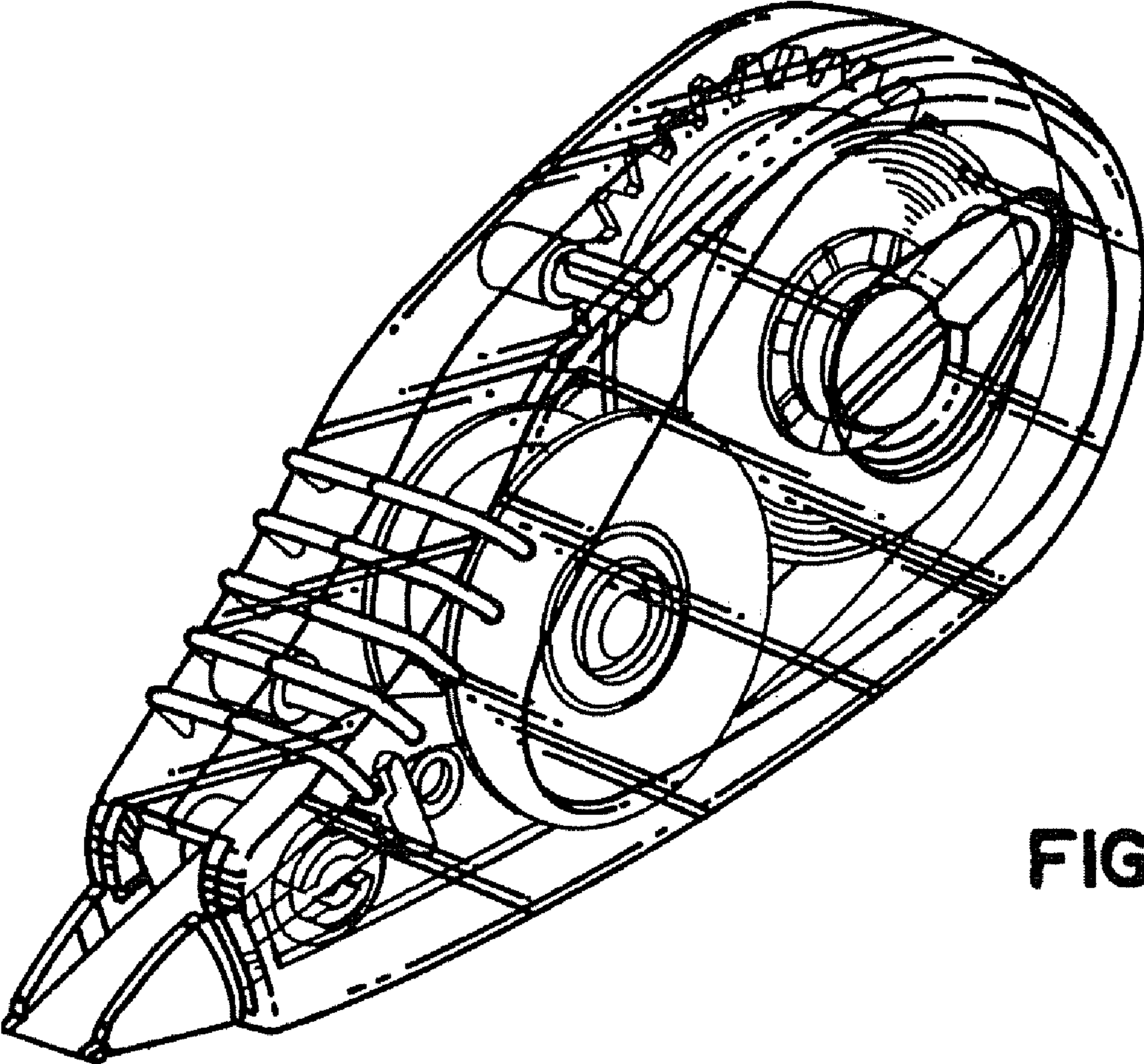


FIG. 7