



US00D577769S

(12) **United States Design Patent**  
**Warner et al.**

(10) **Patent No.:** **US D577,769 S**

(45) **Date of Patent:** **\*\* Sep. 30, 2008**

(54) **DOUBLE-SIDED CLEAR WRITING SLATE AND BASE**

(75) Inventors: **Scott K. Warner**, Draper, UT (US);  
**Jeremy A. Saxton**, Salt Lake City, UT (US); **Brett J. Pinegar**, Salt Lake City, UT (US)

(73) Assignee: **Trike Studios LLC**, Draper, UT (US)

(\*\*) Term: **14 Years**

(21) Appl. No.: **29/296,300**

(22) Filed: **Oct. 17, 2007**

(51) **LOC (8) Cl.** ..... **19-06**

(52) **U.S. Cl.** ..... **D19/52**

(58) **Field of Classification Search** ..... D19/32,  
D19/52, 59, 60, 62, 86, 95, 99, 100; D20/10,  
D20/19, 40, 42; D21/469; 248/346.01, 504;  
434/408, 409, 415, 421, 422, 425, 162, 163  
See application file for complete search history.

(56) **References Cited**

**U.S. PATENT DOCUMENTS**

D185,295 S *	5/1959	Marano	.....	D19/78
D194,008 S *	11/1962	Bishop	.....	D19/86
D270,356 S *	8/1983	Beltrami	.....	D19/86
4,833,279 A *	5/1989	Chen et al.	.....	178/20.02
D315,366 S *	3/1991	Greenspahn	.....	D19/52
D532,048 S *	11/2006	Delaney	.....	D19/88
D535,335 S *	1/2007	Mandel	.....	D19/86

D543,209 S *	5/2007	Bae	.....	D14/451
D555,162 S *	11/2007	Park et al.	.....	D14/447

\* cited by examiner

*Primary Examiner*—Elizabeth A Albert

(74) *Attorney, Agent, or Firm*—Workman Nydegger

(57) **CLAIM**

The ornamental design for a double-sided clear writing slate and base, as shown and described.

**DESCRIPTION**

FIG. 1 is a top perspective view of a double-sided clear writing slate and base showing our new design, the lid of the writing slate being in a closed position, with a removable writing template inserted therein;

FIG. 2 is an inverted, perspective view thereof;

FIG. 3 is a top plan view thereof;

FIG. 4 is a right side elevational view thereof, the left side elevational view being the mirror image thereof;

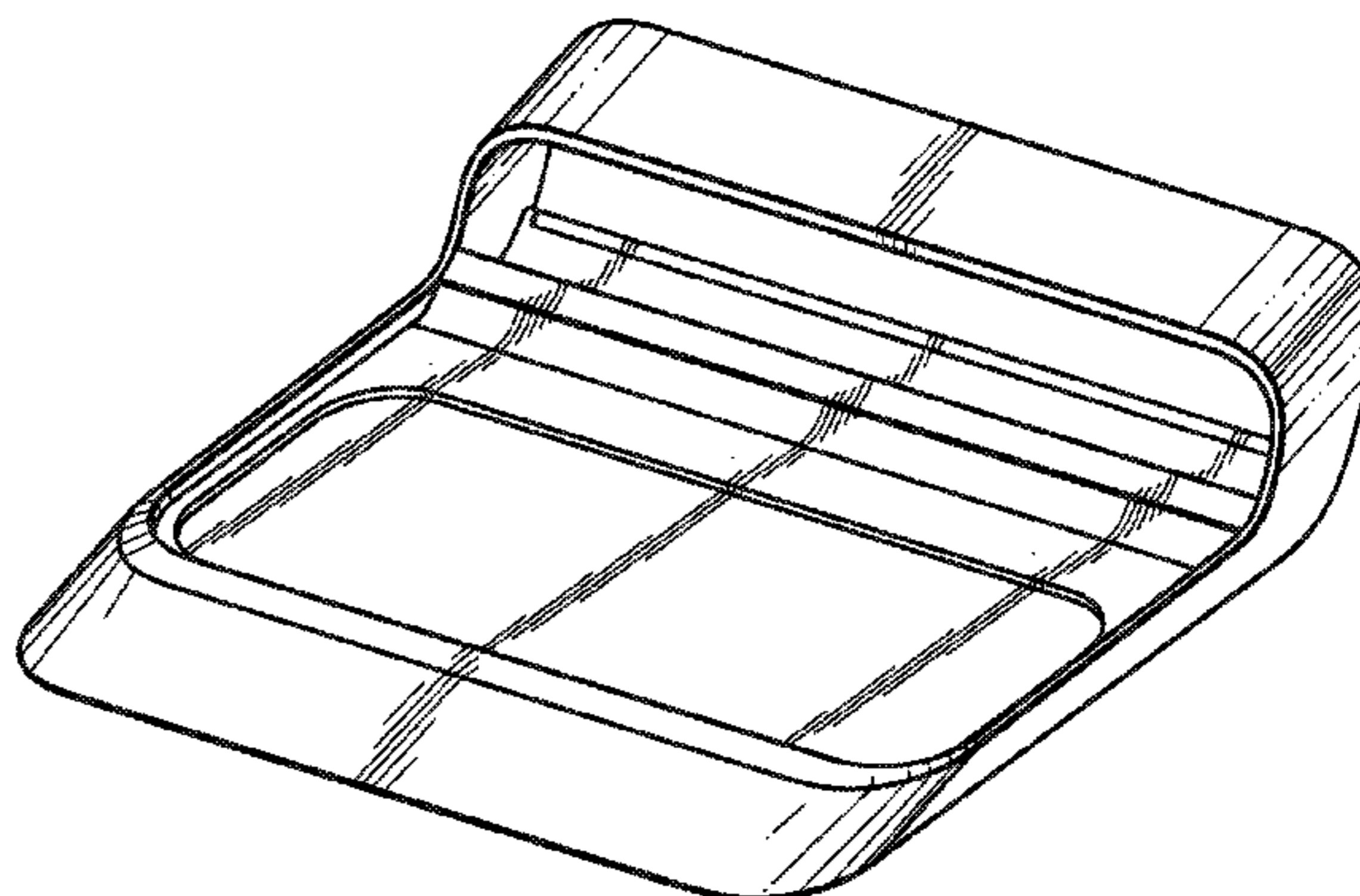
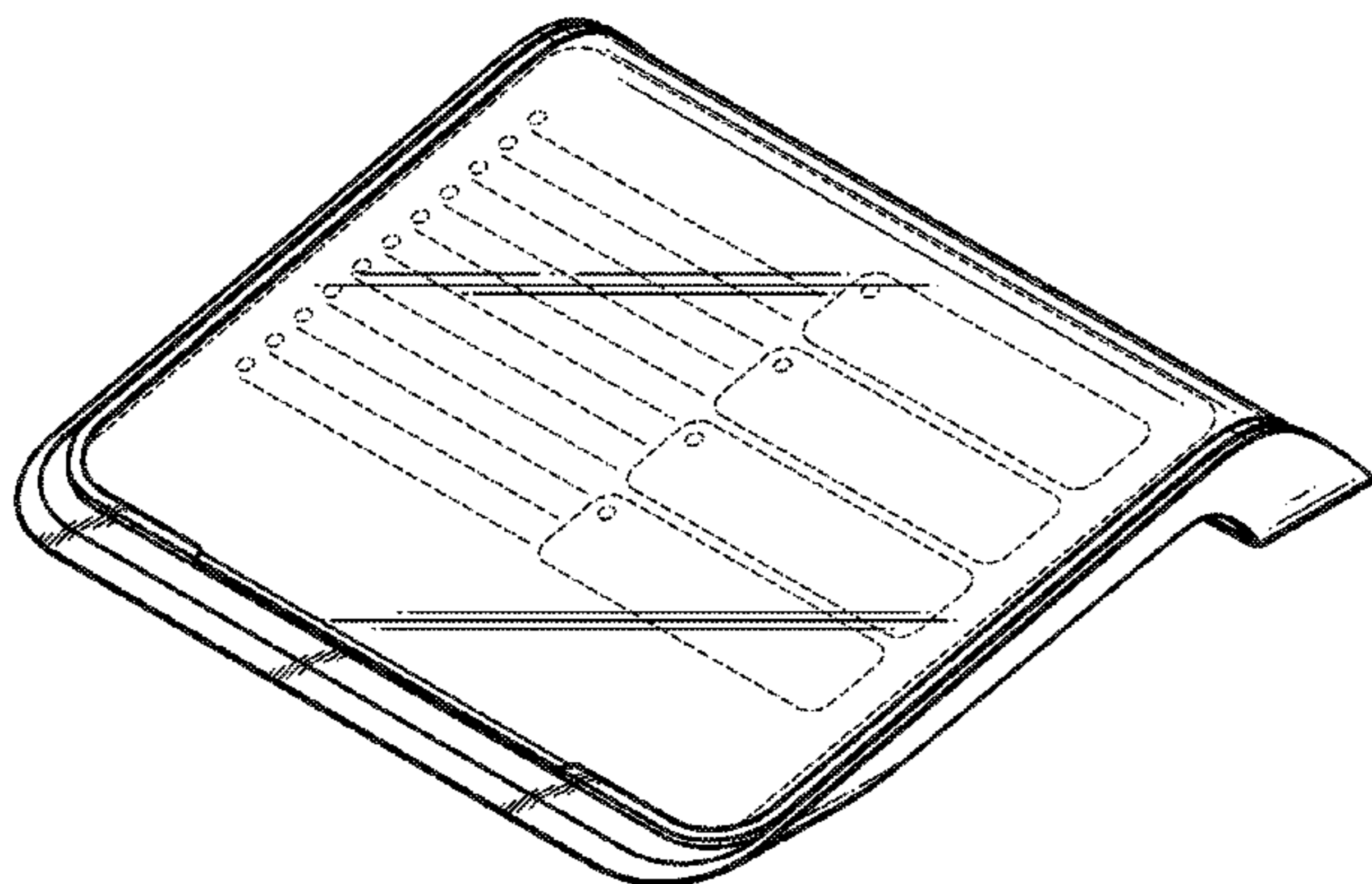
FIG. 5 is a front, facing view thereof;

FIG. 6 is an inverted, back facing view thereof; and,

FIG. 7 is a top perspective view thereof in which the lid of the writing slate is in an opened position.

The broken lines showing lines and boxes of a writing template in FIGS. 1, 3, and 7 are included for the purpose of illustrating environment and form no part of the claimed design.

**1 Claim, 3 Drawing Sheets**



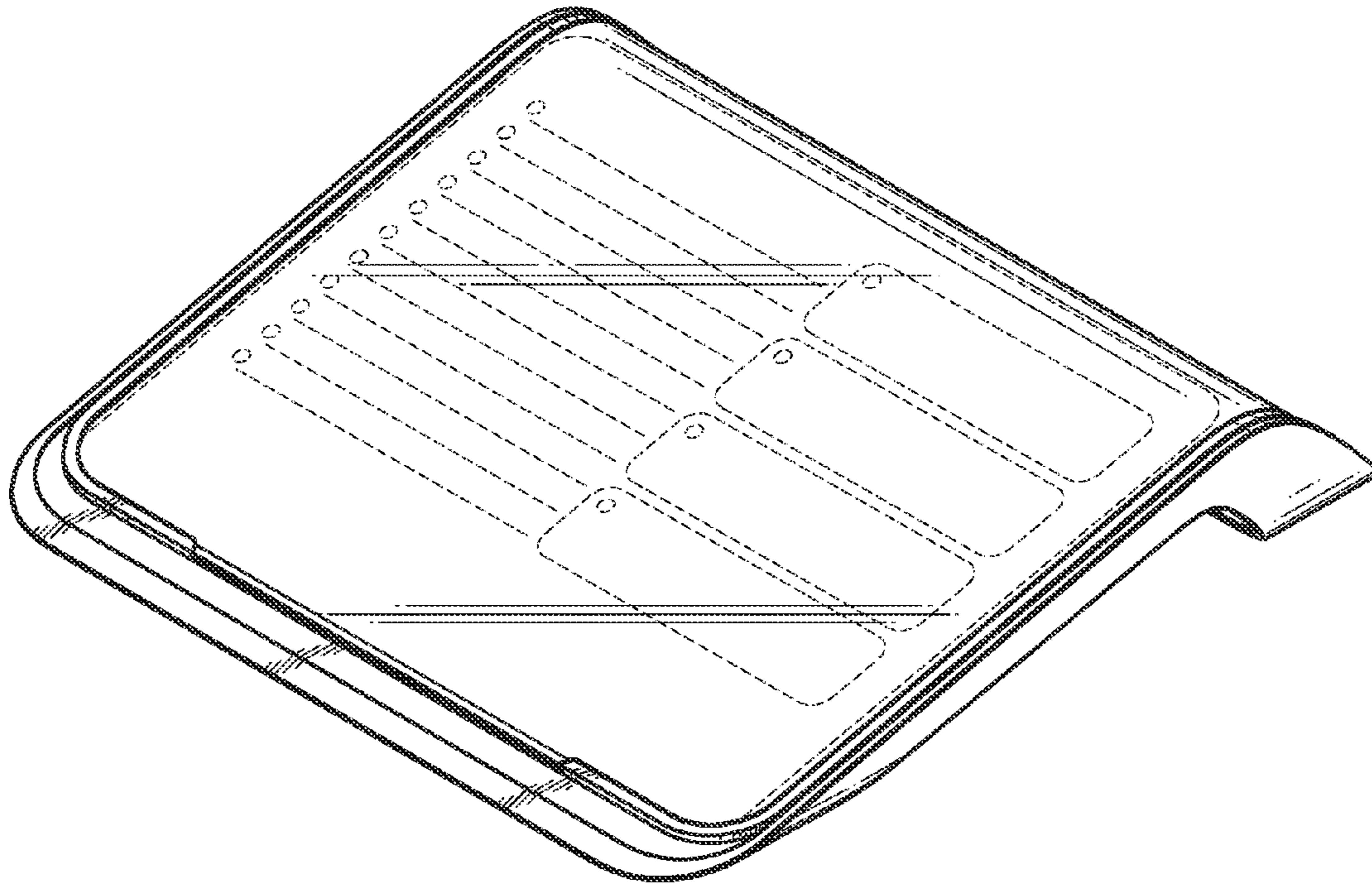


FIG. 1

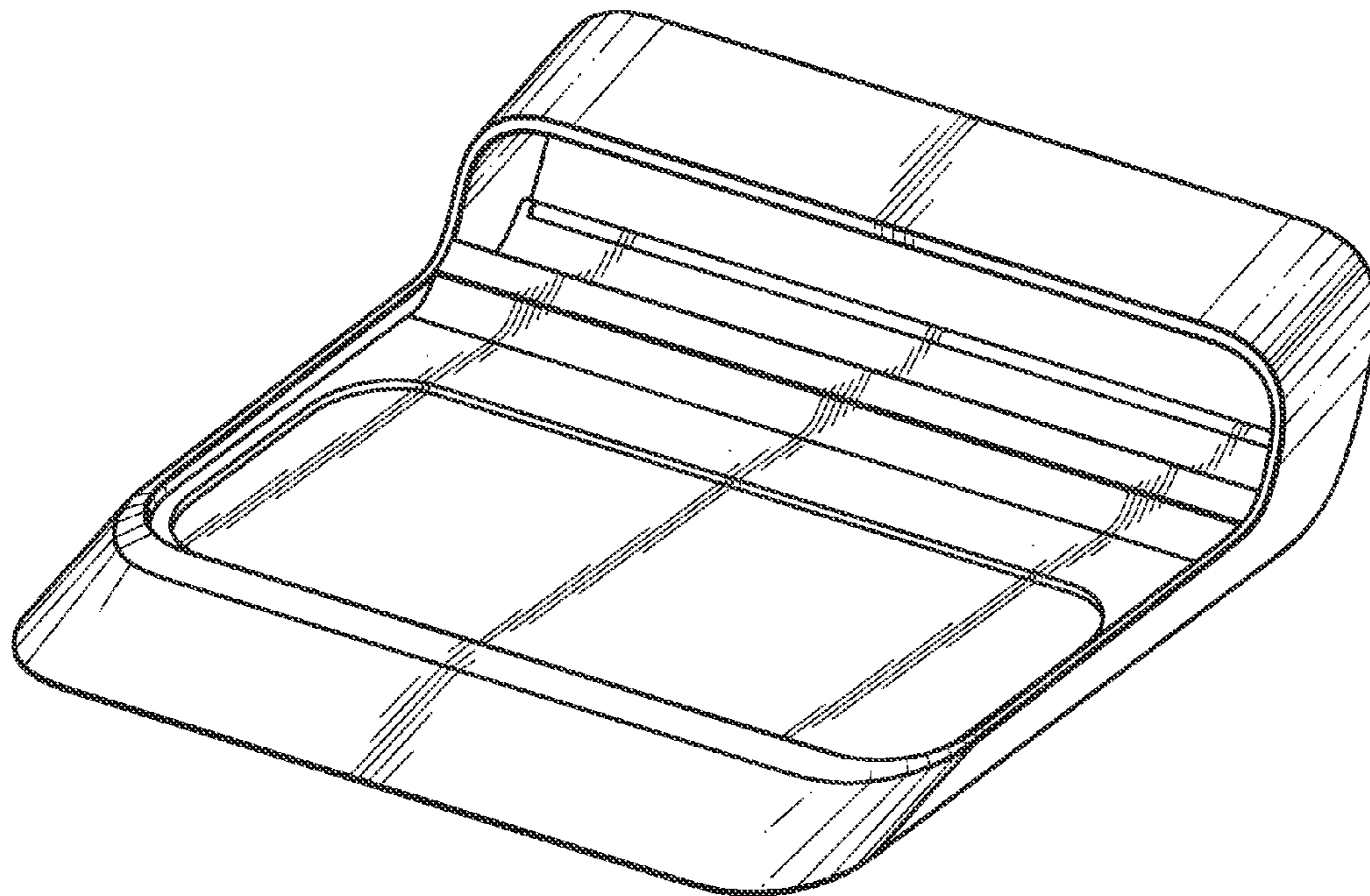


FIG. 2

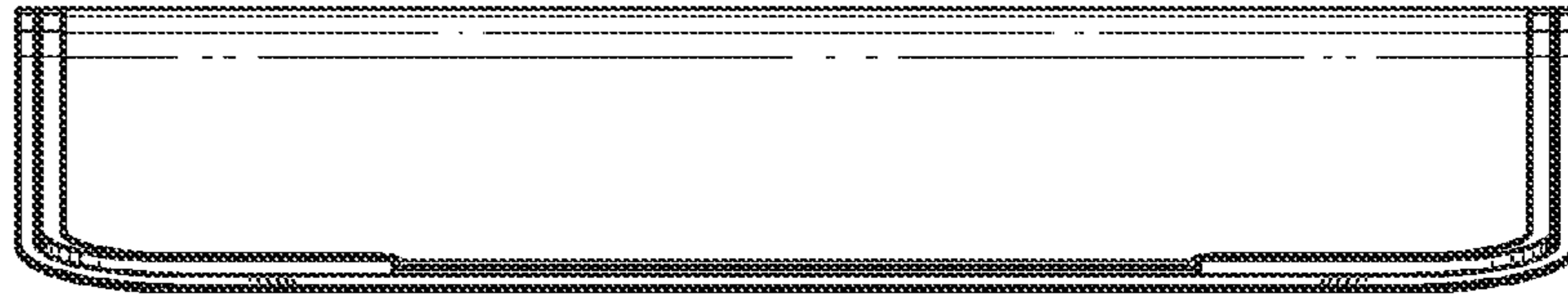


FIG. 5



FIG. 4

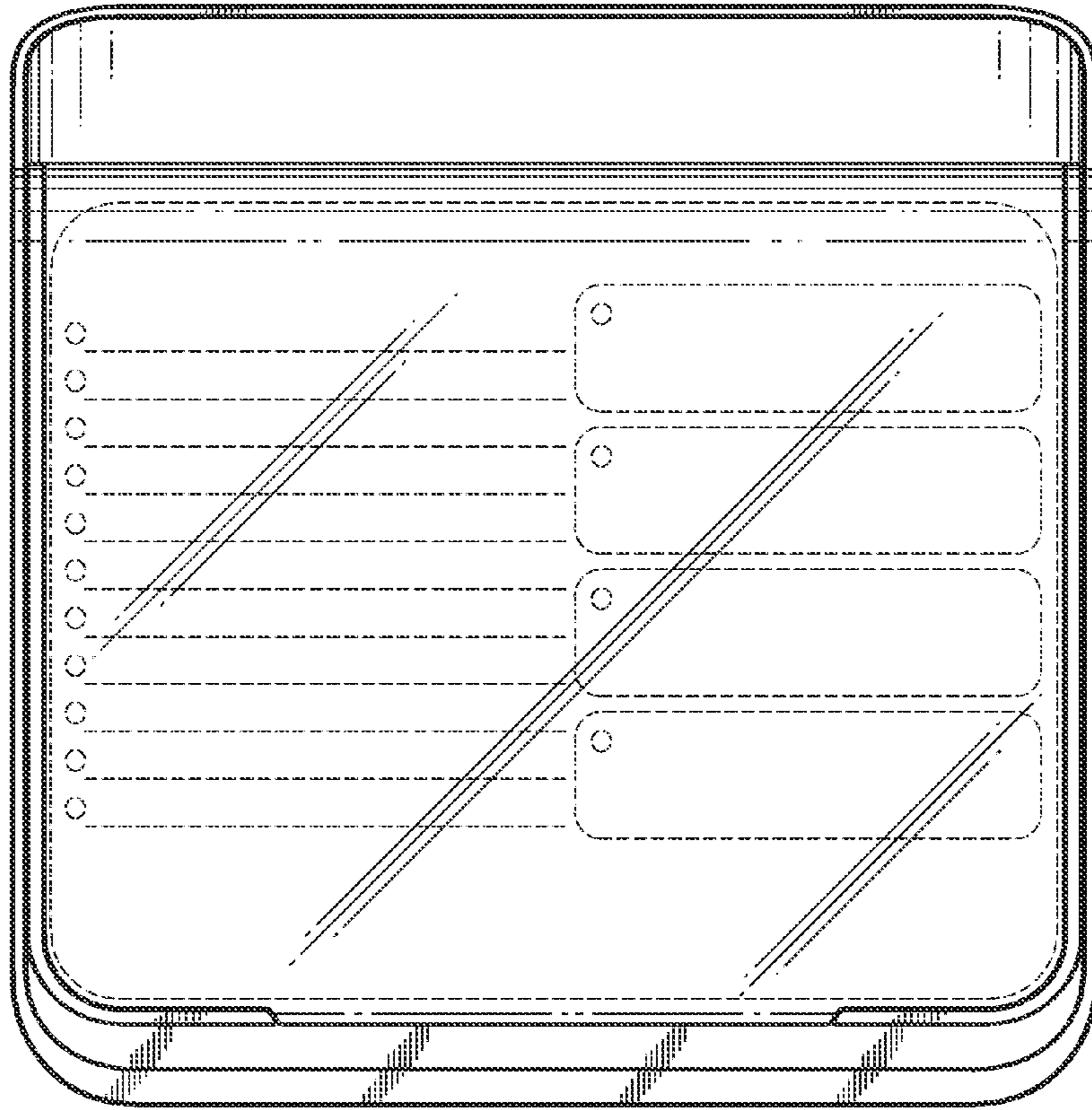


FIG. 3

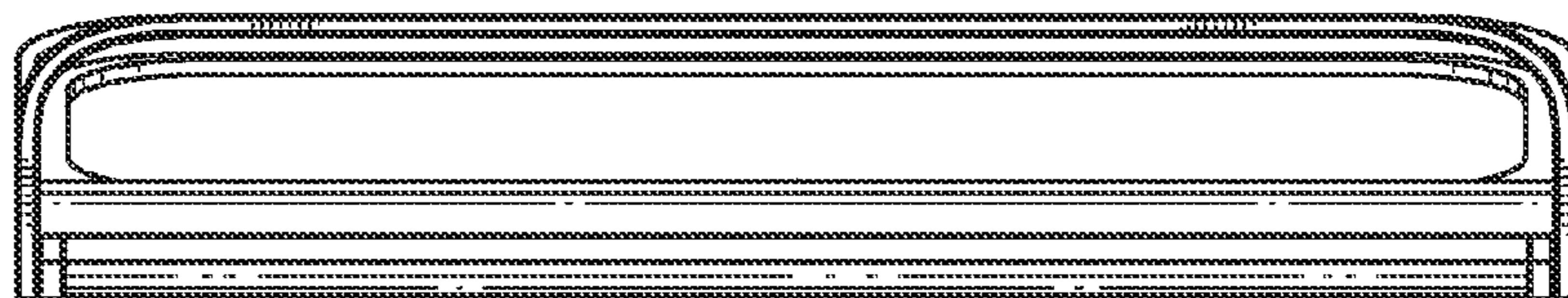


FIG. 6

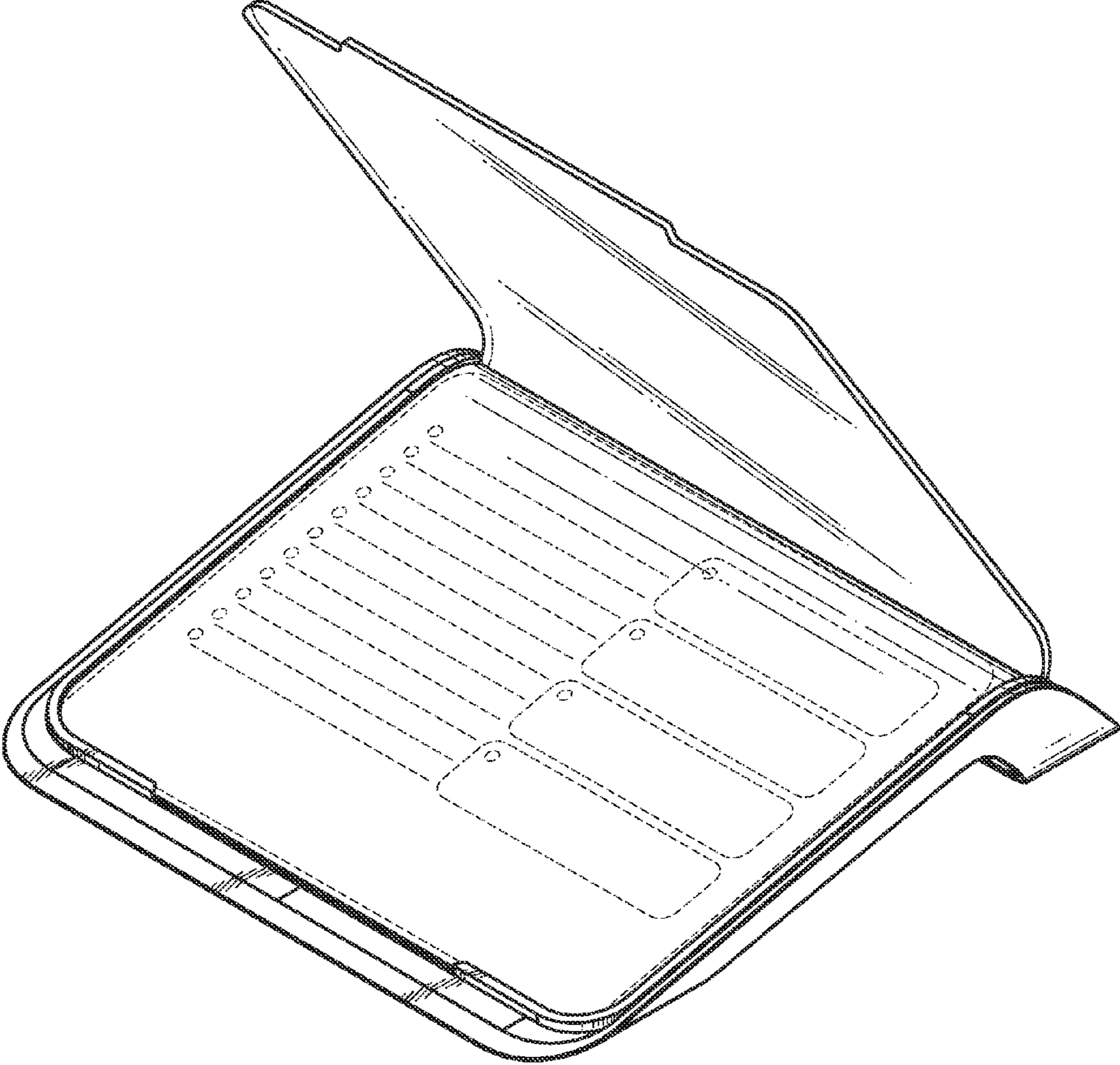


FIG. 7