



US00D577764S

(12) **United States Design Patent**  
**Yamano et al.**

(10) **Patent No.:** **US D577,764 S**

(45) **Date of Patent:** **\*\* Sep. 30, 2008**

(54) **PRINTER**

(75) Inventors: **Hirokazu Yamano**, Chino (JP); **Isao Sakamaki**, Matsumoto (JP); **Seiji Kimura**, Shiojiri (JP)

(73) Assignee: **Seiko Epson Corporation** (JP)

(\*\*) Term: **14 Years**

(21) Appl. No.: **29/271,520**

(22) Filed: **Jan. 19, 2007**

(30) **Foreign Application Priority Data**

Sep. 1, 2006 (JP) ..... 2006-023365

(51) **LOC (8) Cl.** ..... **14-02**

(52) **U.S. Cl.** ..... **D18/50**

(58) **Field of Classification Search** ..... D18/4.4,  
D18/36-39, 41, 50, 53, 54-55; D14/420-425,  
D14/462-470; 400/613, 613.1-613.4, 690.1-690.4,  
400/691-694

See application file for complete search history.

(56) **References Cited**

**U.S. PATENT DOCUMENTS**

D356,818 S \* 3/1995 Sekine et al. .... D18/55  
D378,378 S \* 3/1997 Nakazawa et al. .... D18/54  
D382,583 S \* 8/1997 Takahashi et al. .... D18/55  
D390,258 S \* 2/1998 Kawahara et al. .... D18/55

D400,571 S \* 11/1998 Shimizu ..... D18/54  
D400,572 S \* 11/1998 Sekine et al. .... D18/54  
D400,918 S \* 11/1998 Kobayashi et al. .... D18/55  
D435,588 S \* 12/2000 Kobayashi et al. .... D18/55  
D445,823 S \* 7/2001 Kawahara et al. .... D18/50  
D466,921 S \* 12/2002 Senshiki ..... D18/54  
D539,337 S \* 3/2007 Kato et al. .... D18/50  
D561,822 S \* 2/2008 Tatara et al. .... D18/50  
D562,379 S \* 2/2008 Tatara et al. .... D18/50

\* cited by examiner

*Primary Examiner*—Cathy Anne MacCormac

(74) *Attorney, Agent, or Firm*—Harness, Dickey & Pierce, P.L.C.

(57) **CLAIM**

The ornamental design for a printer, as shown and described.

**DESCRIPTION**

FIG. 1 is a perspective view of of a printer, as viewed from the top right corner, embodying our new design;

FIG. 2 is a front view thereof;

FIG. 3 is a rear view thereof;

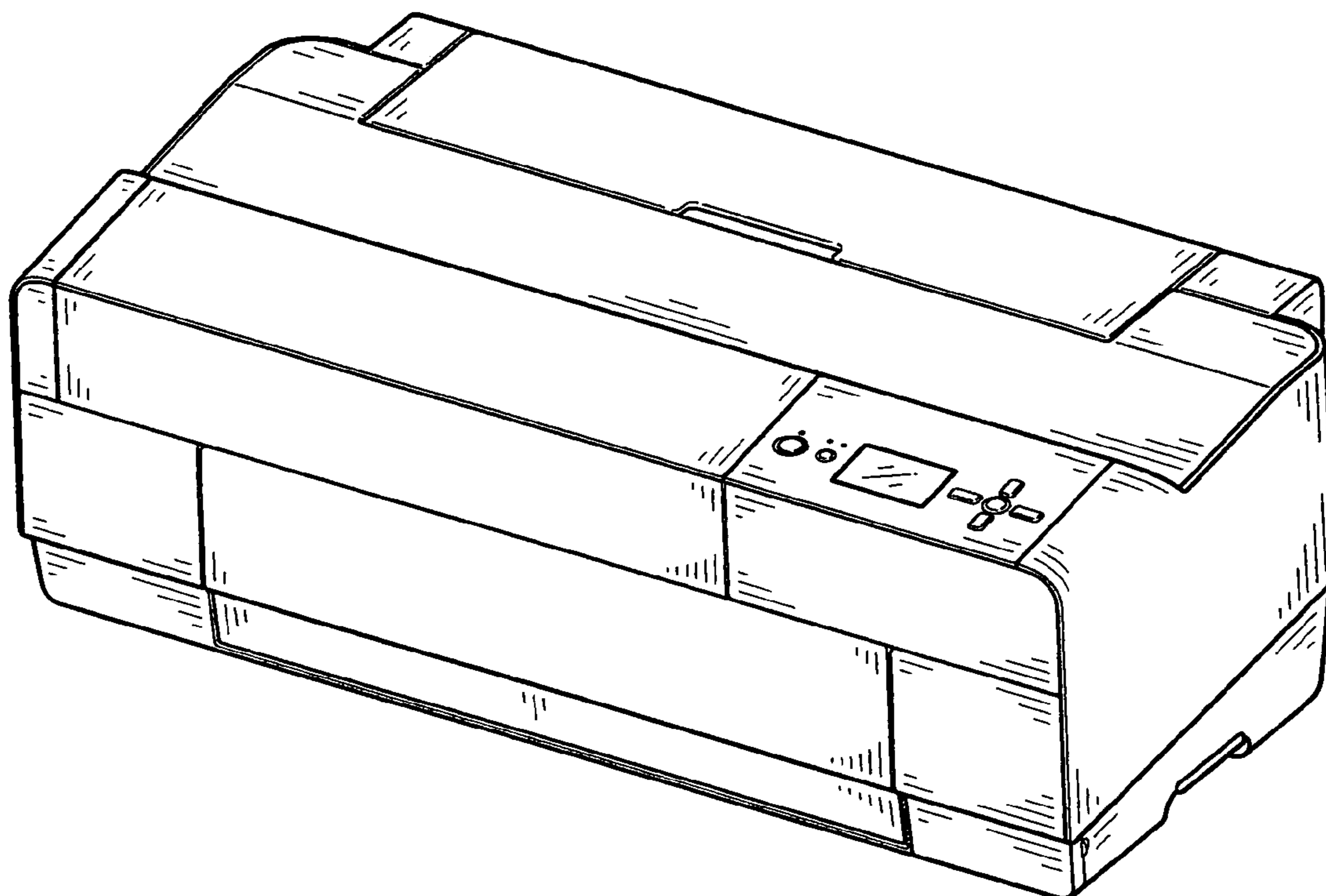
FIG. 4 is a left side view thereof;

FIG. 5 is a right side view thereof;

FIG. 6 is a top view thereof; and,

FIG. 7 is a bottom view thereof.

**1 Claim, 4 Drawing Sheets**



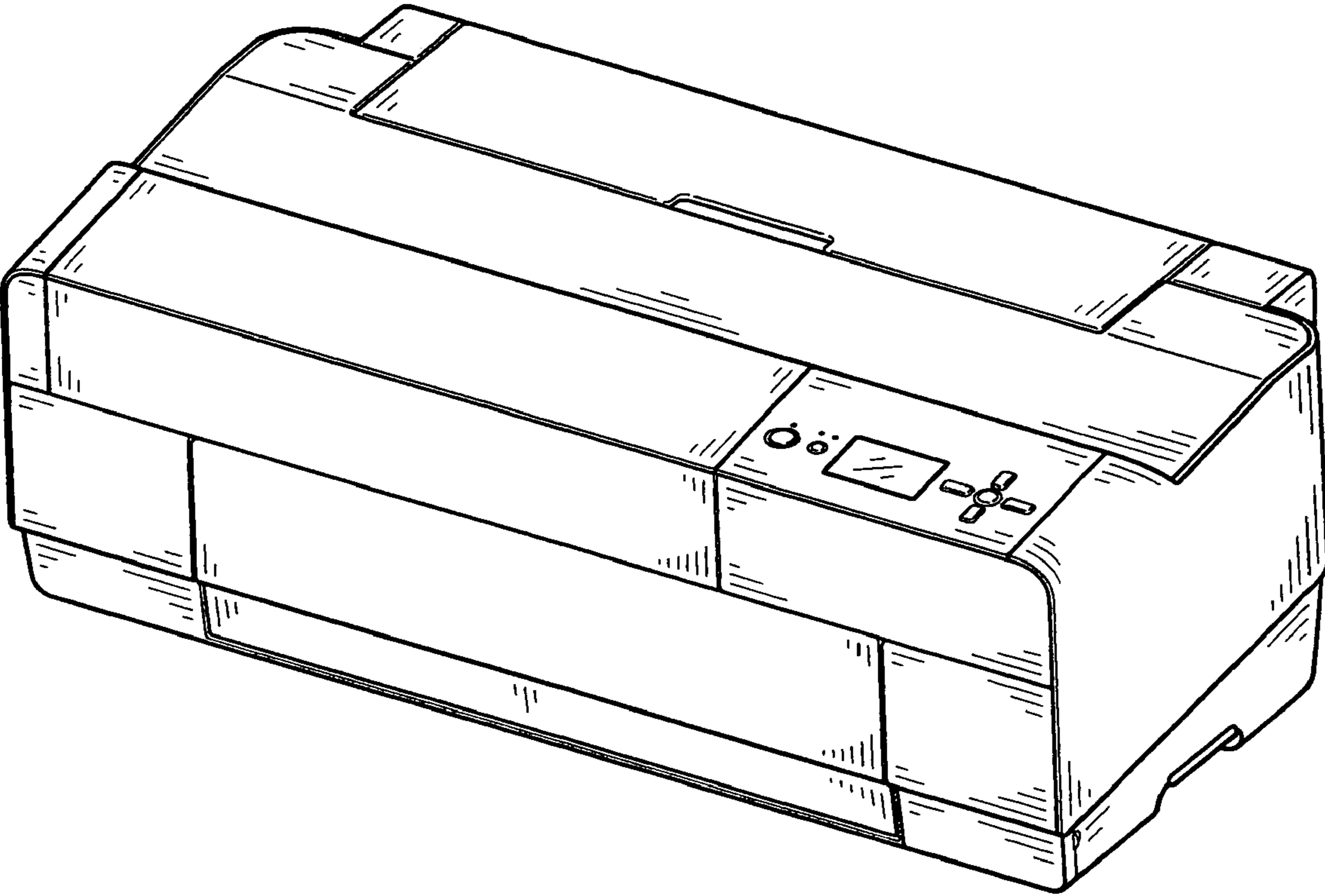


FIG. 1

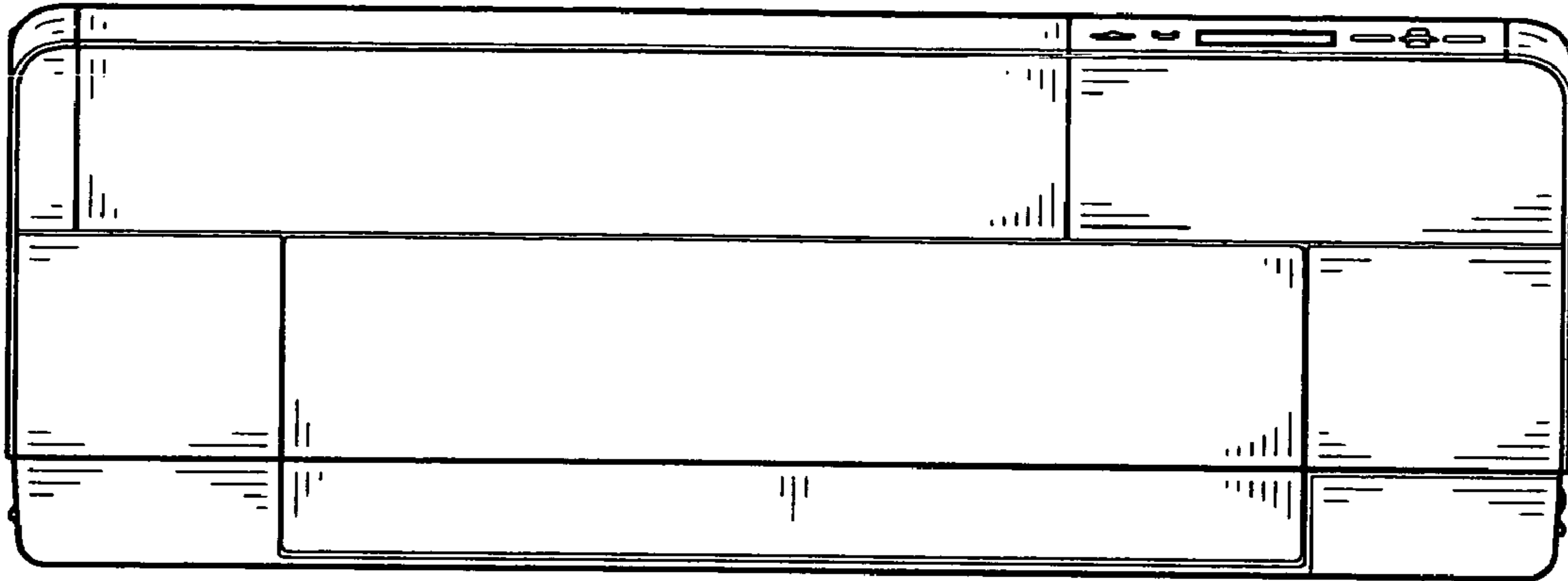


FIG. 2

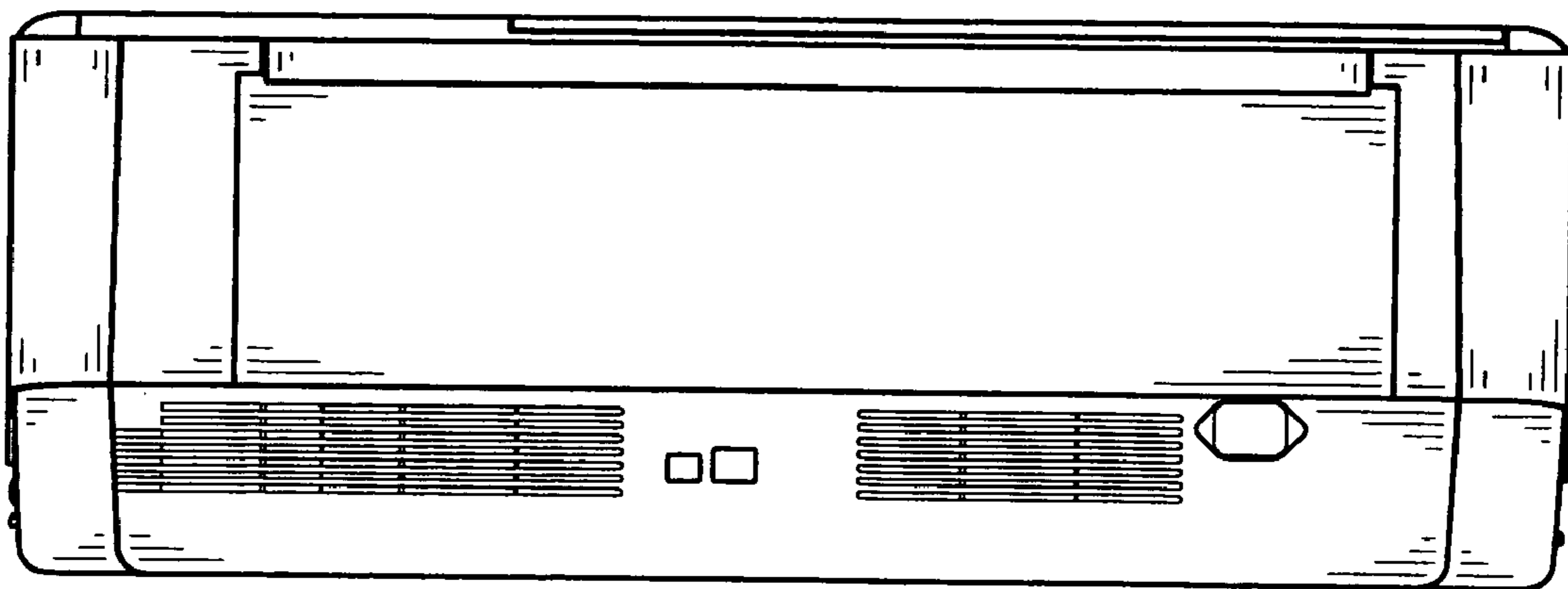


FIG. 3

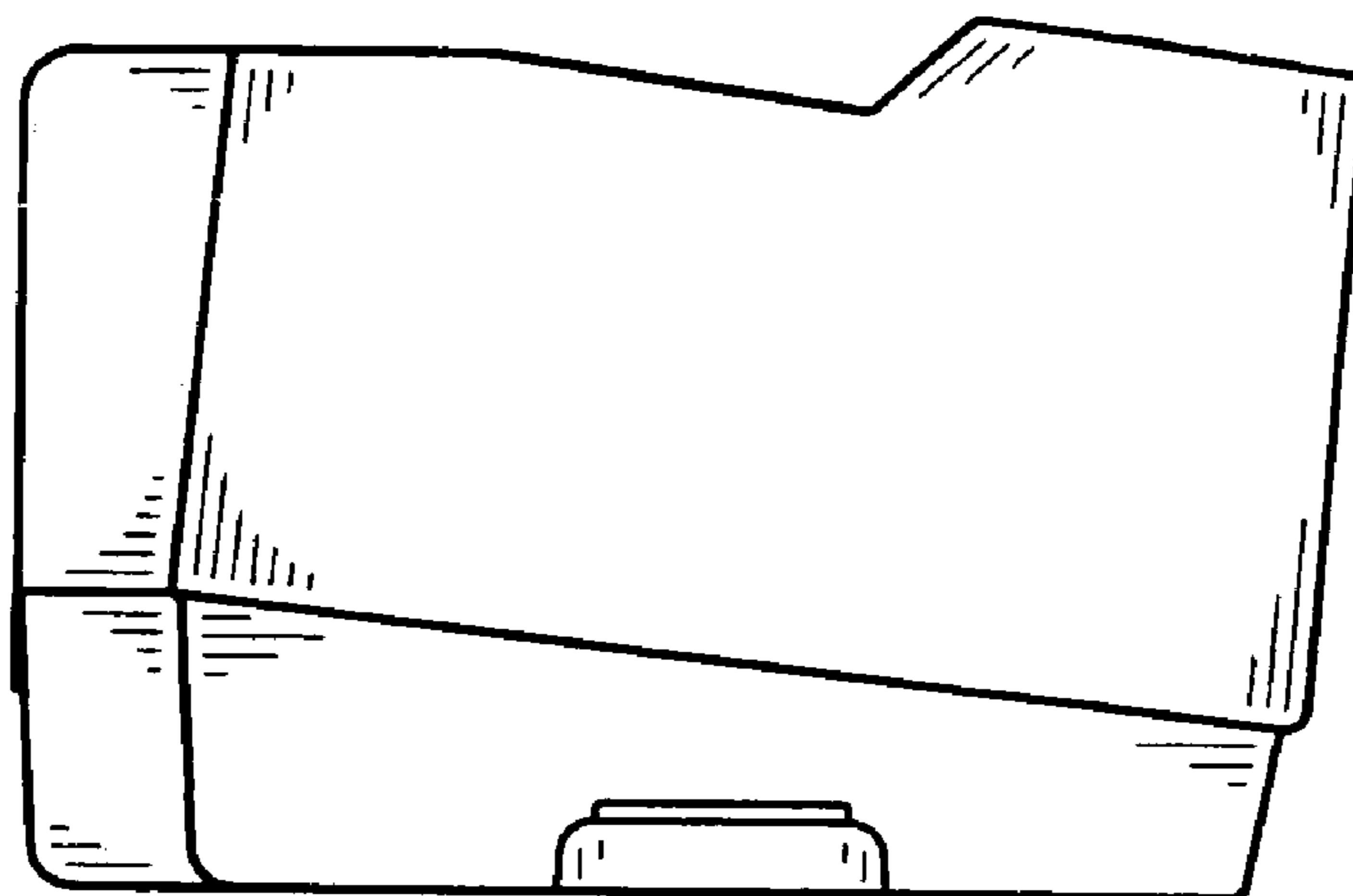


FIG. 4

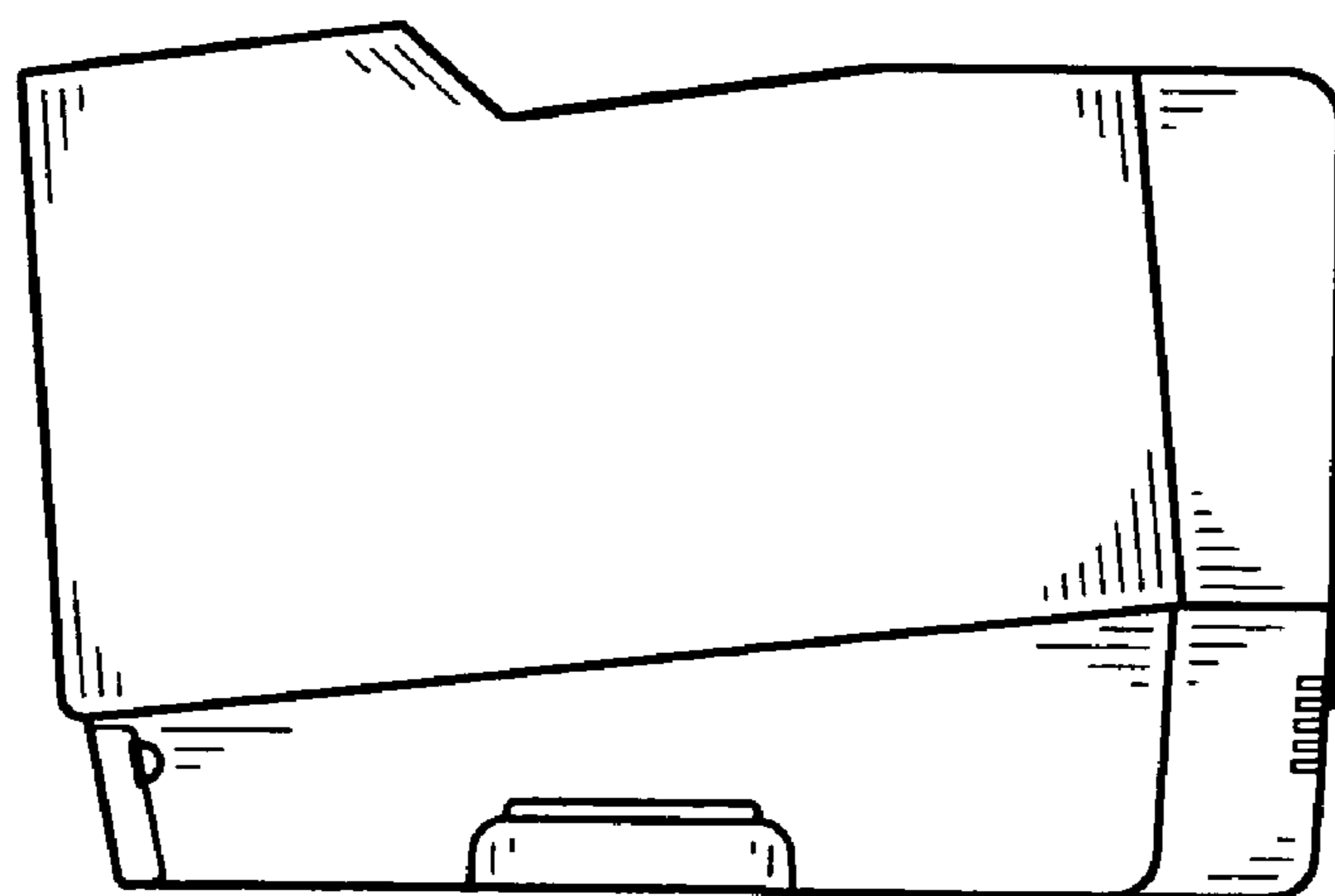


FIG. 5

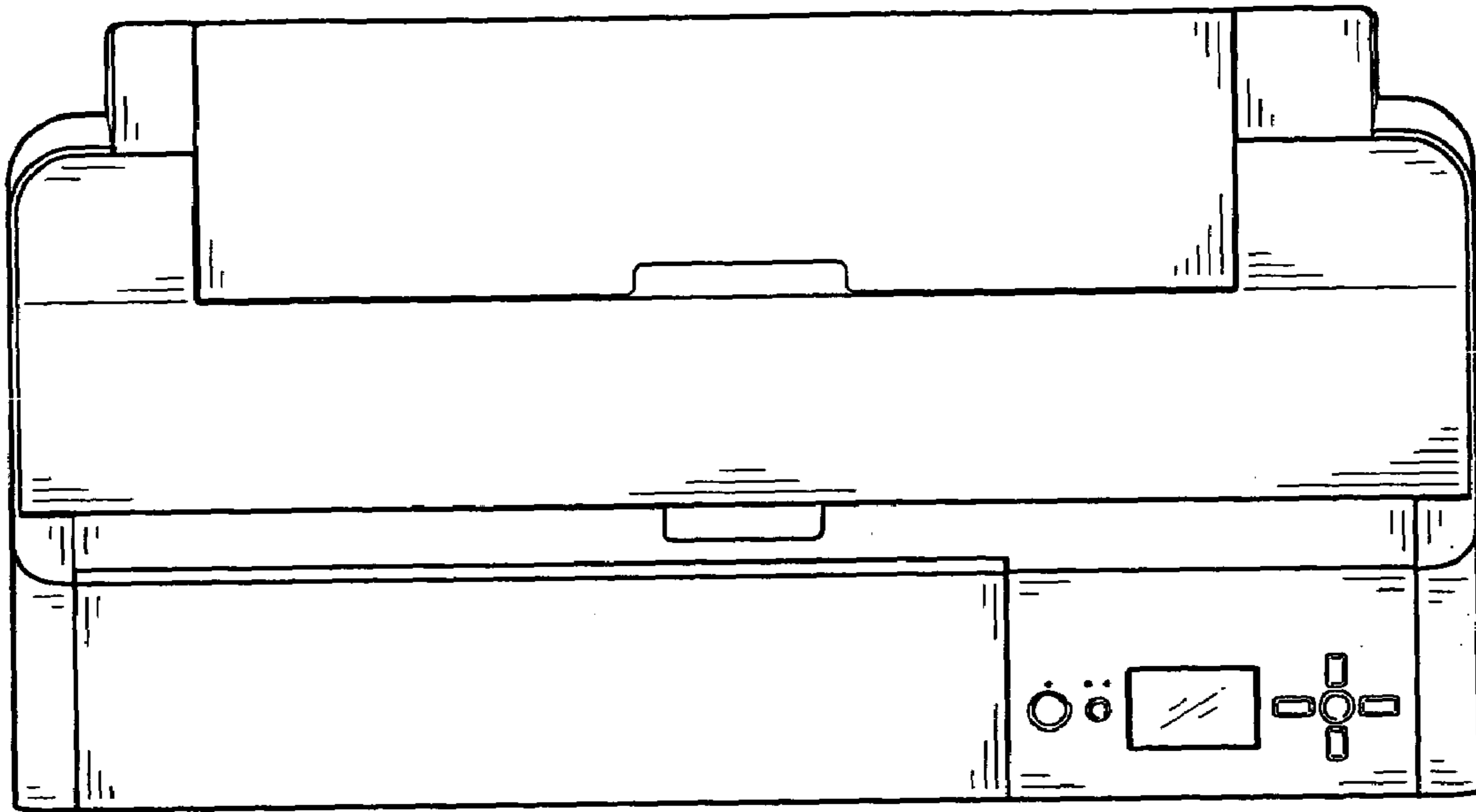


FIG. 6

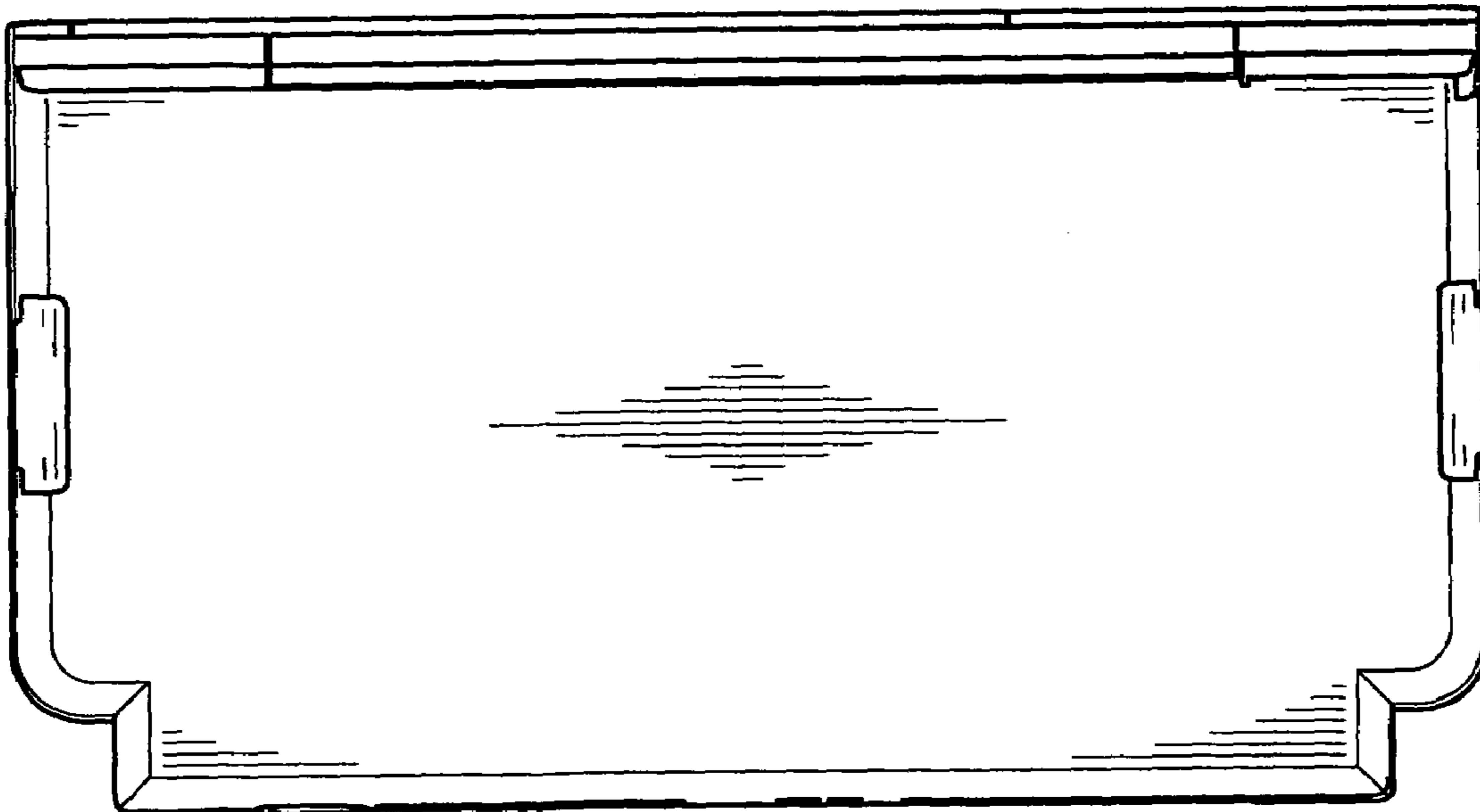


FIG. 7