

US00D577761S

(12) **United States Design Patent**  
**Nakao et al.**

(10) **Patent No.:** **US D577,761 S**

(45) **Date of Patent:** **\*\* Sep. 30, 2008**

(54) **ELECTRONIC CYMBAL**

(75) Inventors: **Koichi Nakao**, Hamamatsu (JP);  
**Kiyoshi Yoshino**, Hamamatsu (JP)

(73) Assignee: **Roland Corporation**, Hamamatsu (JP)

(\*\*) Term: **14 Years**

(21) Appl. No.: **29/230,828**

(22) Filed: **May 25, 2005**

(51) **LOC (8) Cl.** ..... **17-04**

(52) **U.S. Cl.** ..... **D17/22**

(58) **Field of Classification Search** ..... D17/22;  
84/106-107, 411 R, 411 P, 411 M, 414, 408,  
84/422.1, 422.3, DIG. 12

See application file for complete search history.

(56) **References Cited**

**U.S. PATENT DOCUMENTS**

6,034,313	A *	3/2000	Shelley	84/422.3
D455,453	S *	4/2002	Fukuoka et al.	D17/22
D455,775	S *	4/2002	Fukuoka et al.	D17/22
6,417,434	B1 *	7/2002	Lao	84/422.3
D532,439	S *	11/2006	Scharte	D17/22

\* cited by examiner

*Primary Examiner*—Ian Simmons

*Assistant Examiner*—Anna J Burmeister

(74) *Attorney, Agent, or Firm*—Foley & Lardner LLP

(57) **CLAIM**

We claim the ornamental design for an electronic cymbal, as shown and described.

**DESCRIPTION**

FIG. 1 is a top plan view of an electronic cymbal, showing our new design;

FIG. 2 is a bottom plan view thereof;

FIG. 3 is a front elevational view thereof;

FIG. 4 is a rear elevational view thereof;

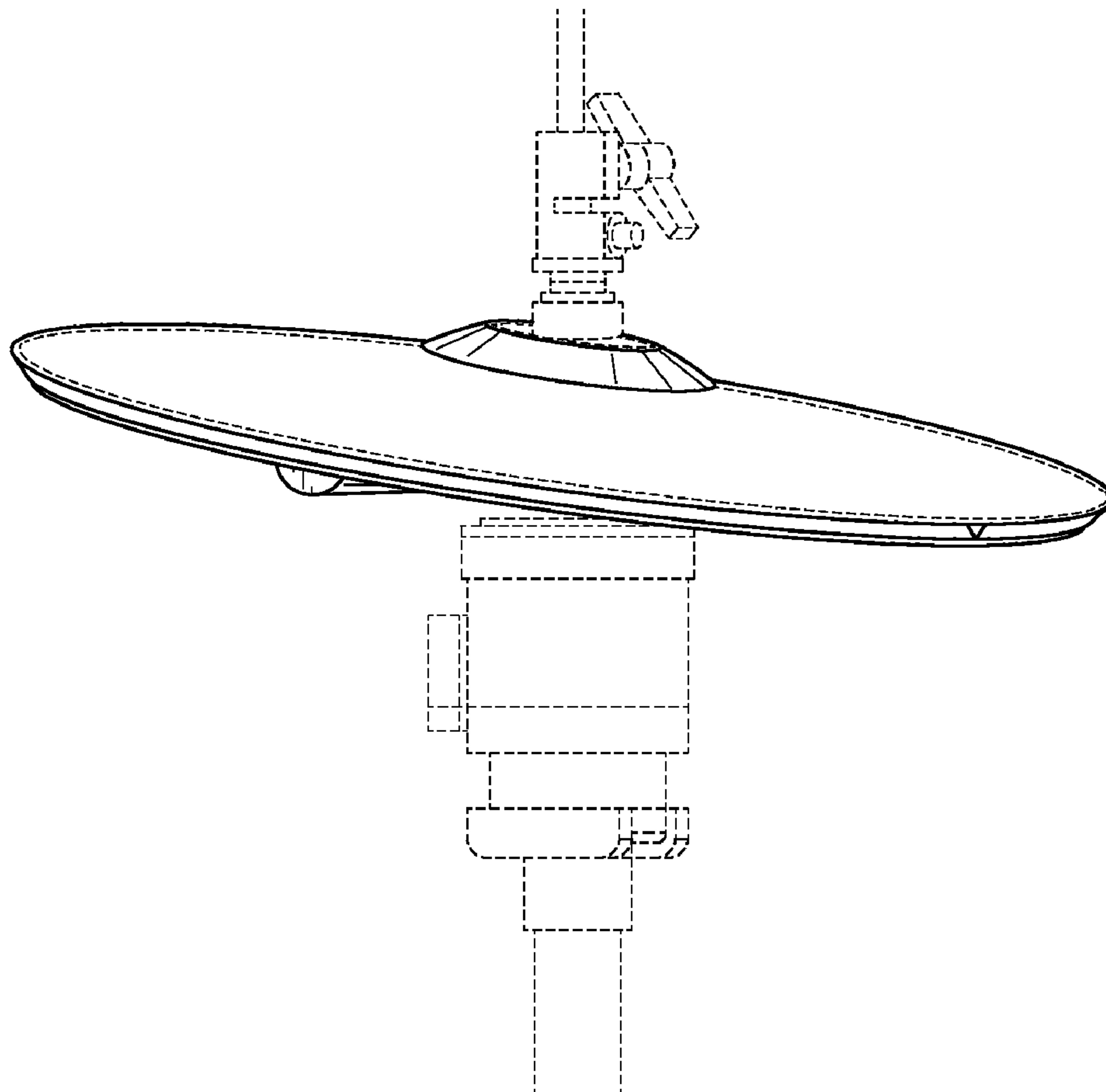
FIG. 5 is a right side elevational view thereof;

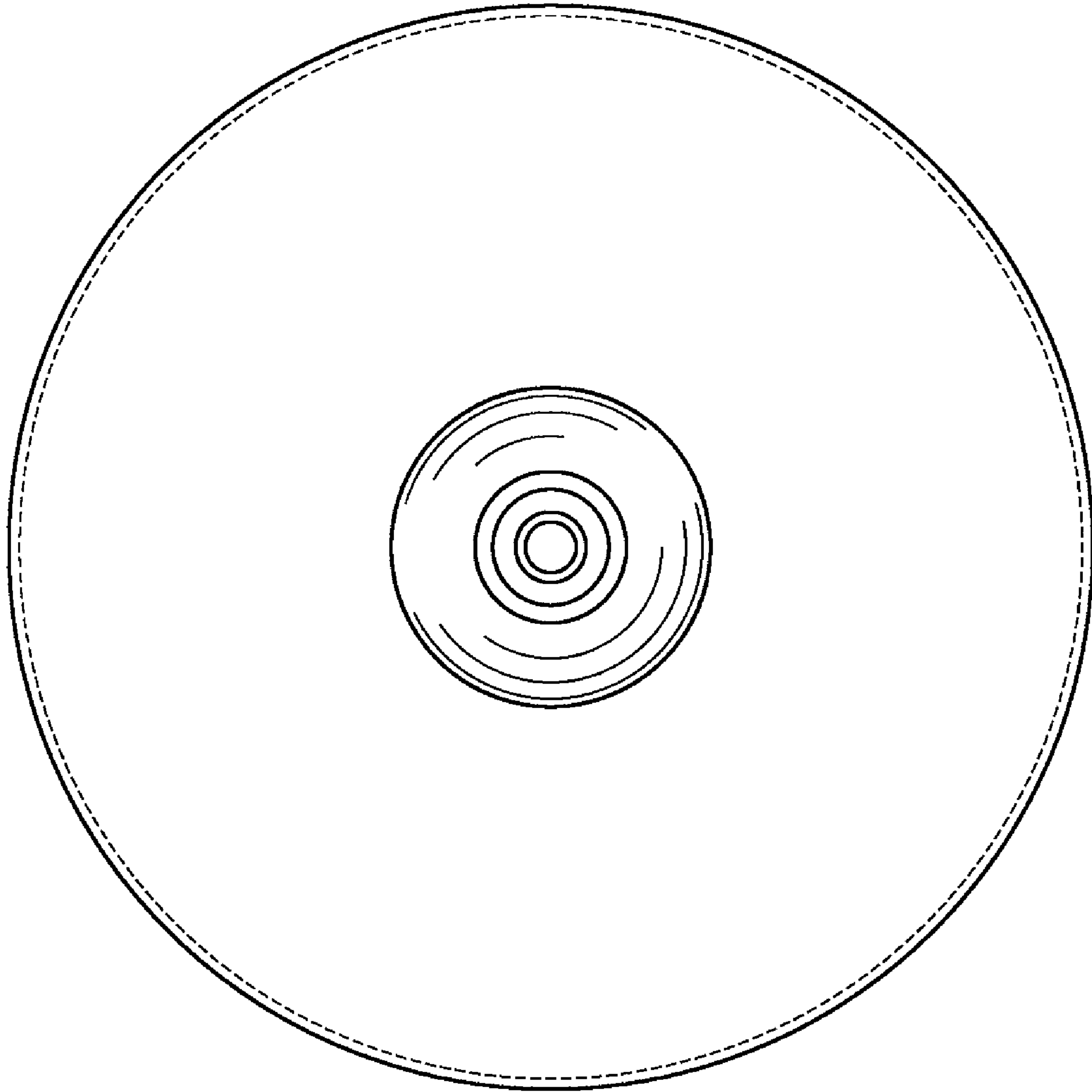
FIG. 6 is a left side elevational view thereof; and,

FIG. 7 is a bottom plan view thereof.

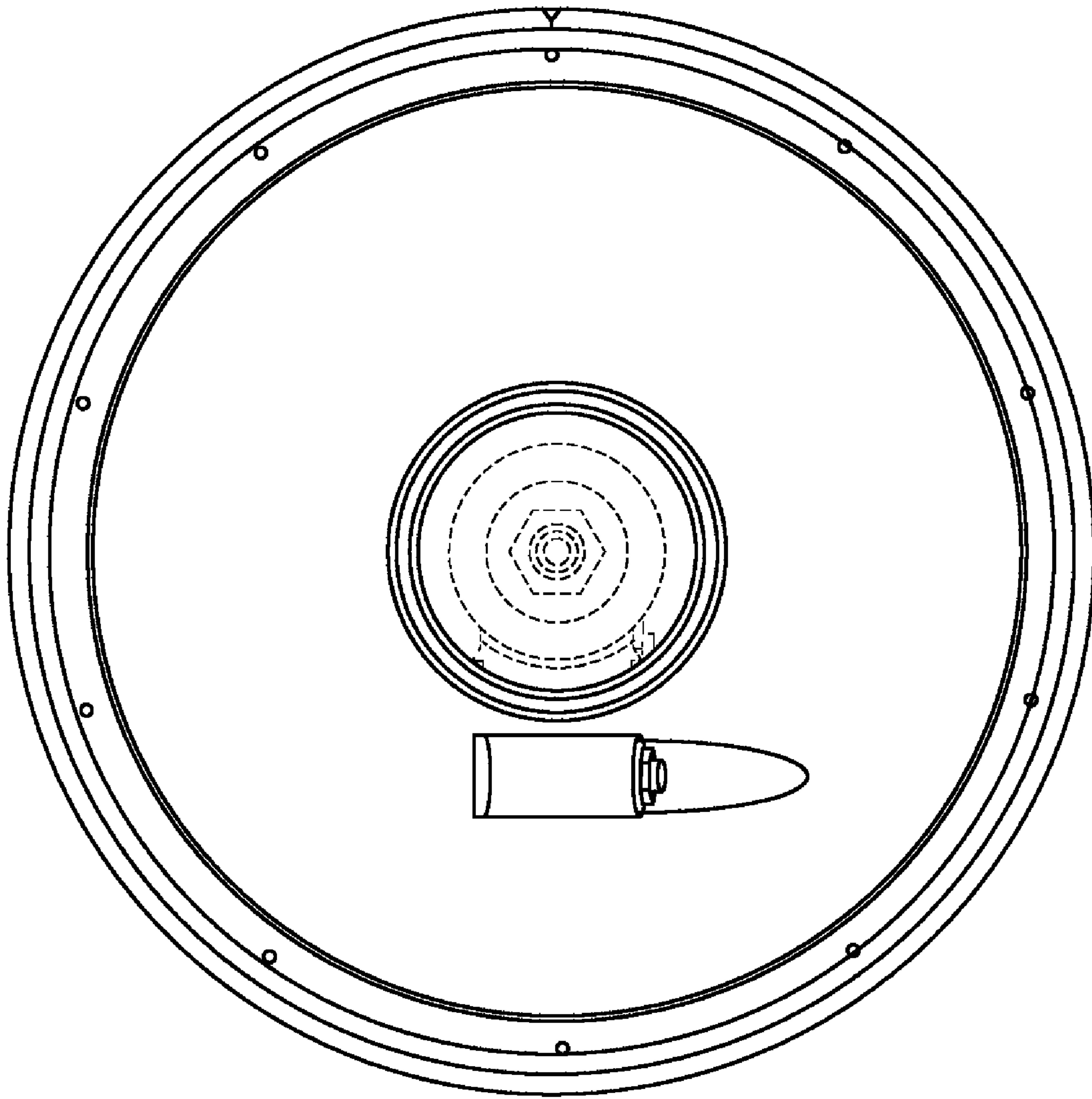
The broken lines in the drawings are for illustrative purposes only and form no part of the claimed design.

**1 Claim, 7 Drawing Sheets**

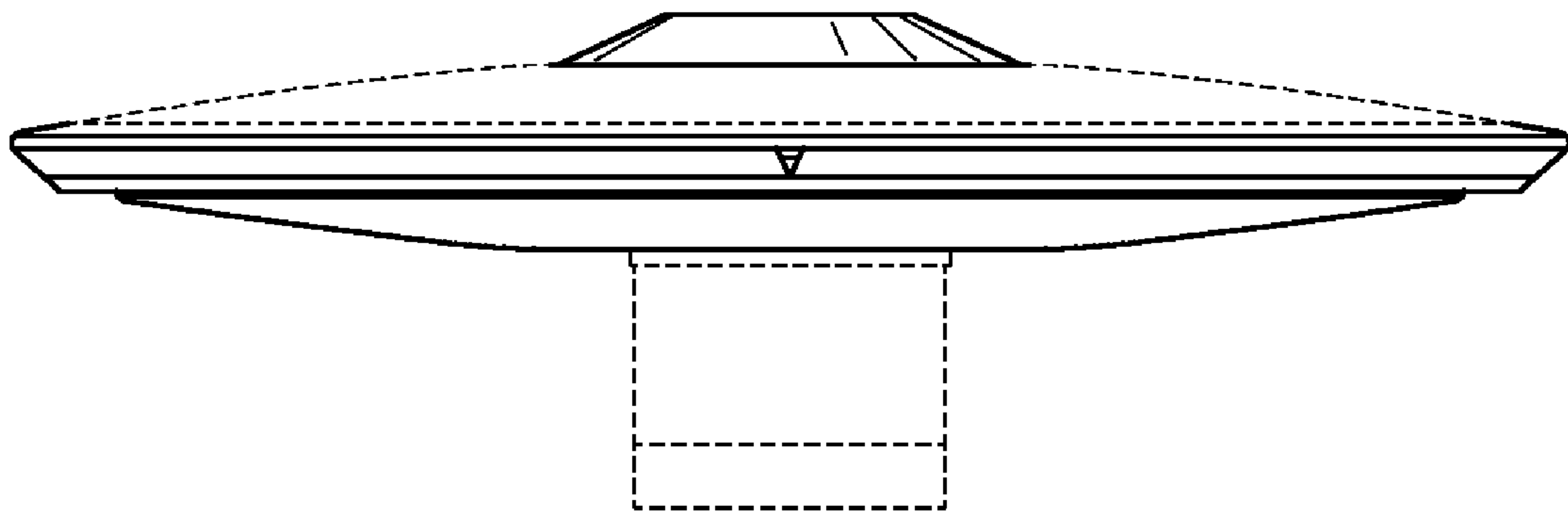




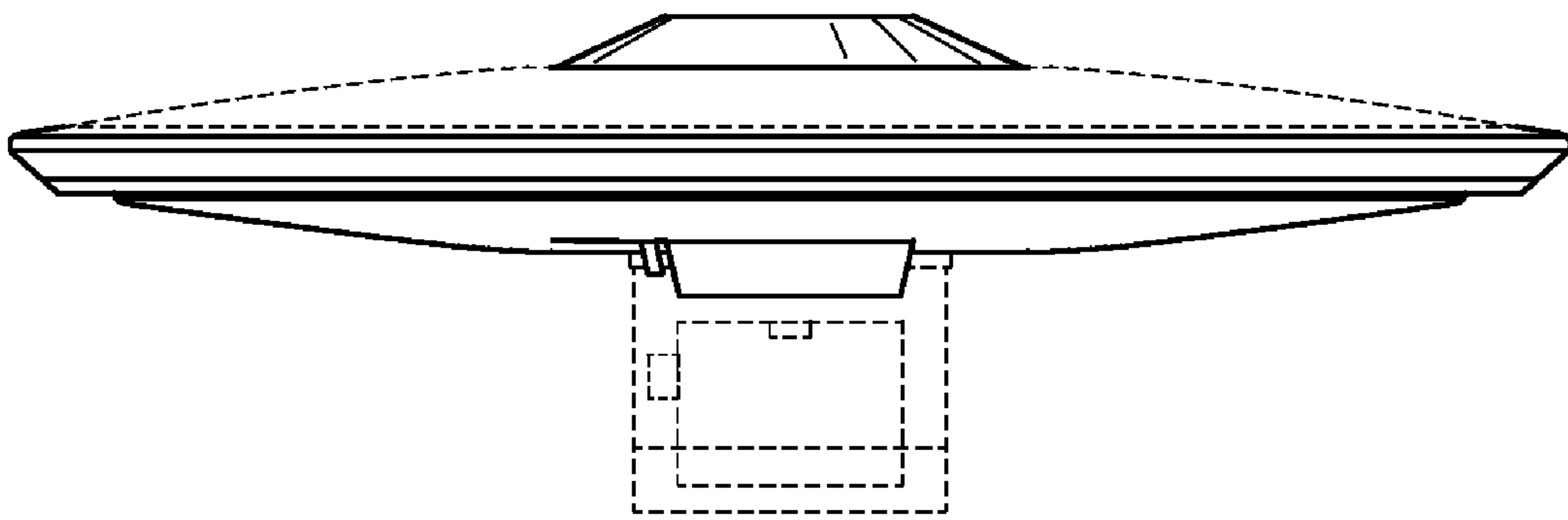
*FIG. 1*



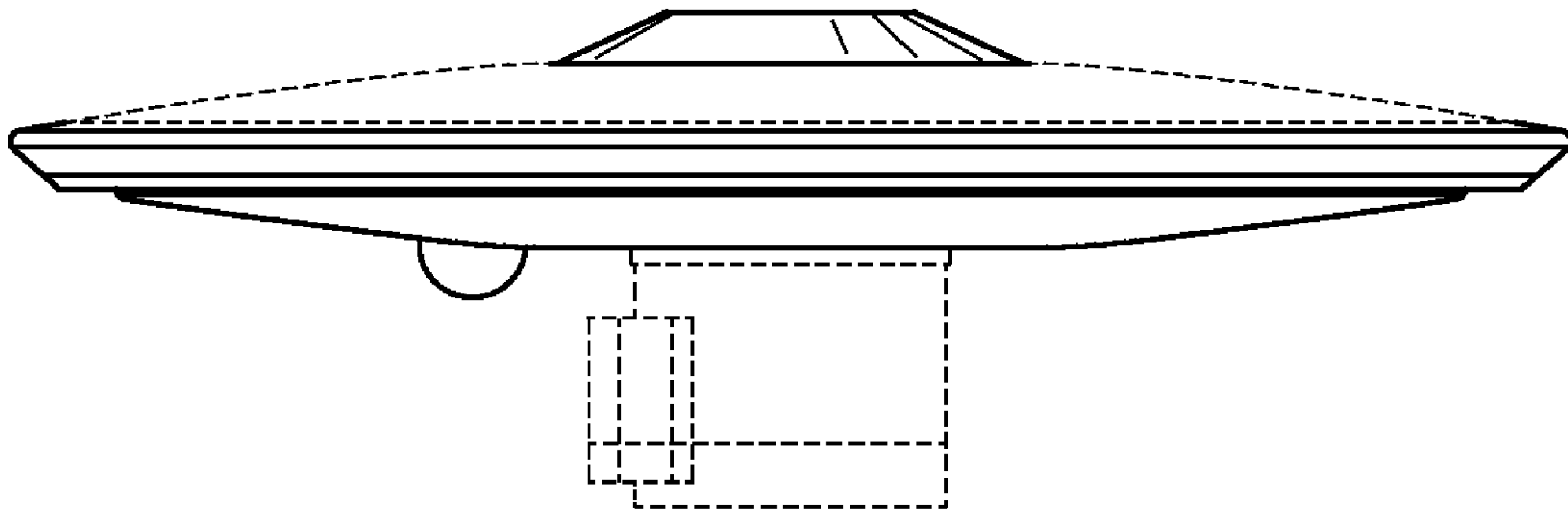
*FIG. 2*



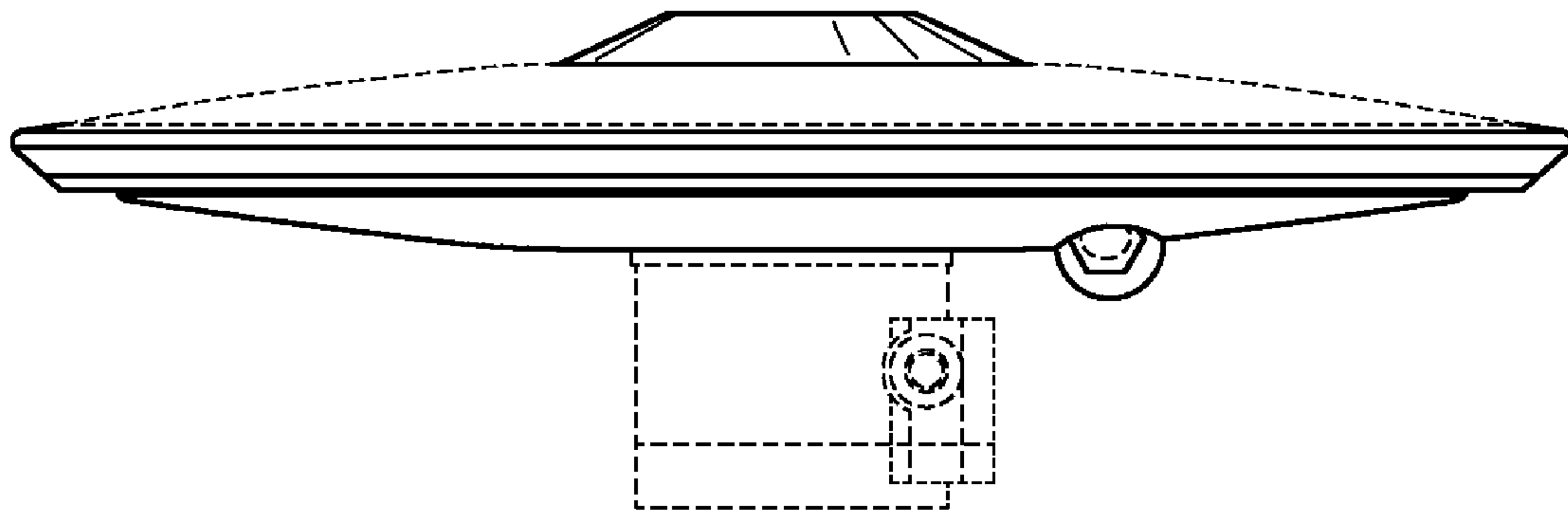
*FIG. 3*



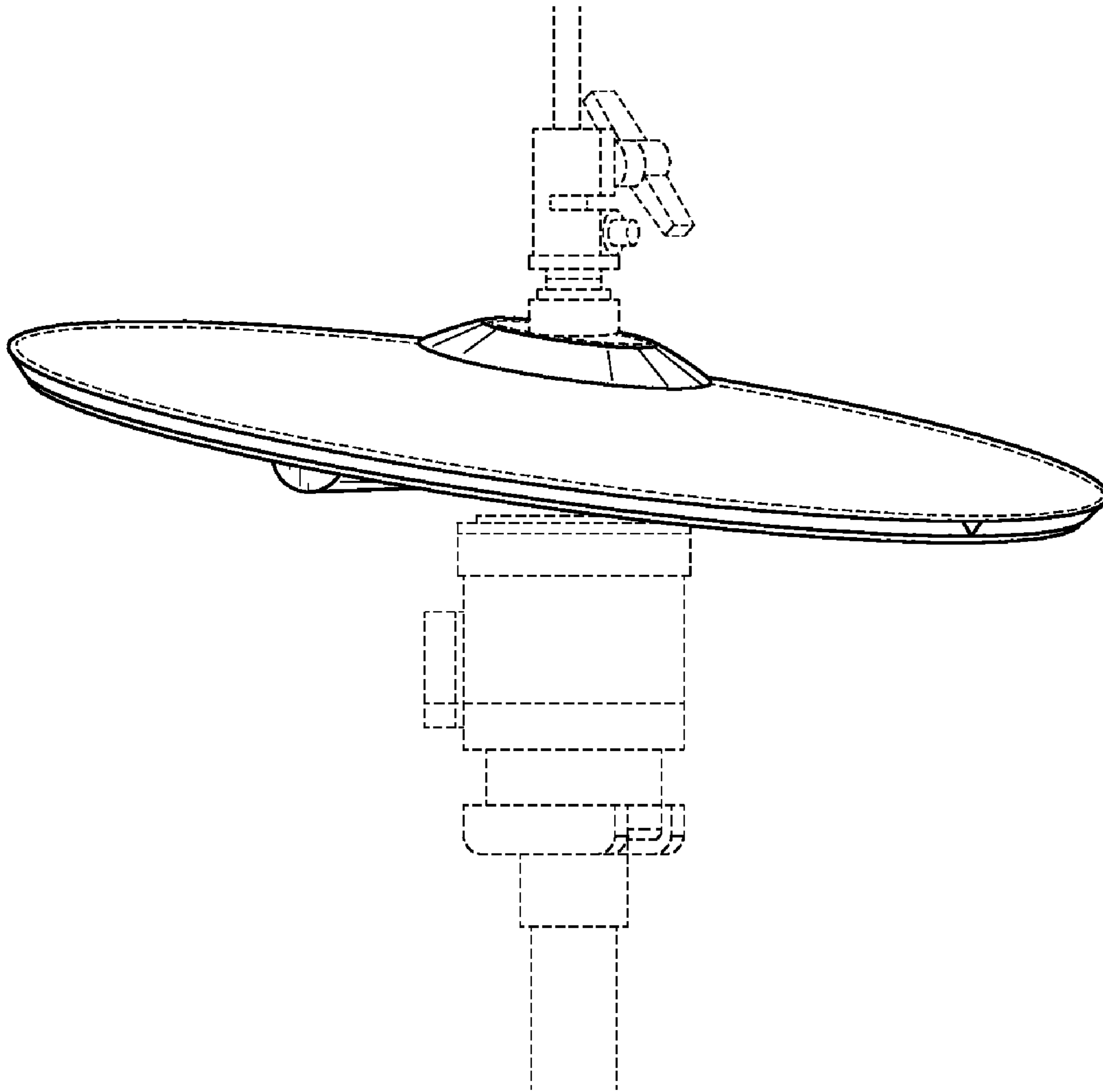
*FIG. 4*



*FIG. 5*



*FIG. 6*



*FIG. 7*