



US00D577758S

(12) **United States Design Patent**
Ferris et al.

(10) **Patent No.:** **US D577,758 S**
(45) **Date of Patent:** **** Sep. 30, 2008**

(54) **CAMERA HOUSING**

(75) Inventors: **William Ferris**, San Diego, CA (US);
William Myer, San Diego, CA (US)

(73) Assignee: **Dotworkz**, San Diego, CA (US)

(**) Term: **14 Years**

(21) Appl. No.: **29/278,271**

(22) Filed: **Mar. 23, 2007**

(51) **LOC (8) Cl.** **16-01**

(52) **U.S. Cl.** **D16/203**

(58) **Field of Classification Search** D16/200–206,
D16/208–209, 219; 396/427, 535–541, 433;
348/151, 143, 373–376; 358/909.1; 340/436,
340/937

See application file for complete search history.

(56) **References Cited**

U.S. PATENT DOCUMENTS

D275,294	S *	8/1984	Pagano	D16/203
D461,485	S *	8/2002	Jones et al.	D16/203
D473,887	S *	4/2003	Jones et al.	D16/203
D473,888	S *	4/2003	Jones et al.	D16/203
D477,345	S *	7/2003	Hildreth	D16/203
6,618,092	B2 *	9/2003	Alessio et al.	348/373
6,896,423	B2 *	5/2005	Arbuckle et al.	396/427
D556,803	S *	12/2007	Ishida	D16/203
2002/0060745	A1 *	5/2002	Bowden et al.	348/373
2002/0145677	A1 *	10/2002	Ryan et al.	348/373
2003/0210346	A1 *	11/2003	Hildreth	348/373

2004/0057717 A1* 3/2004 Arbuckle et al. 396/427

* cited by examiner

Primary Examiner—Ian Simmons

Assistant Examiner—Wan Laymon

(74) *Attorney, Agent, or Firm*—Frank G. Morkunas

(57) **CLAIM**

The ornamental design for a camera housing, as shown and described.

DESCRIPTION

FIG. 1 is a perspective view of a camera housing showing our new design;

FIG. 2 is a left side elevation view of a camera housing showing our new design.

FIG. 3 is a right side elevation view of a camera housing showing our new design.

FIG. 4 is a bottom plan view of a camera housing showing our new design.

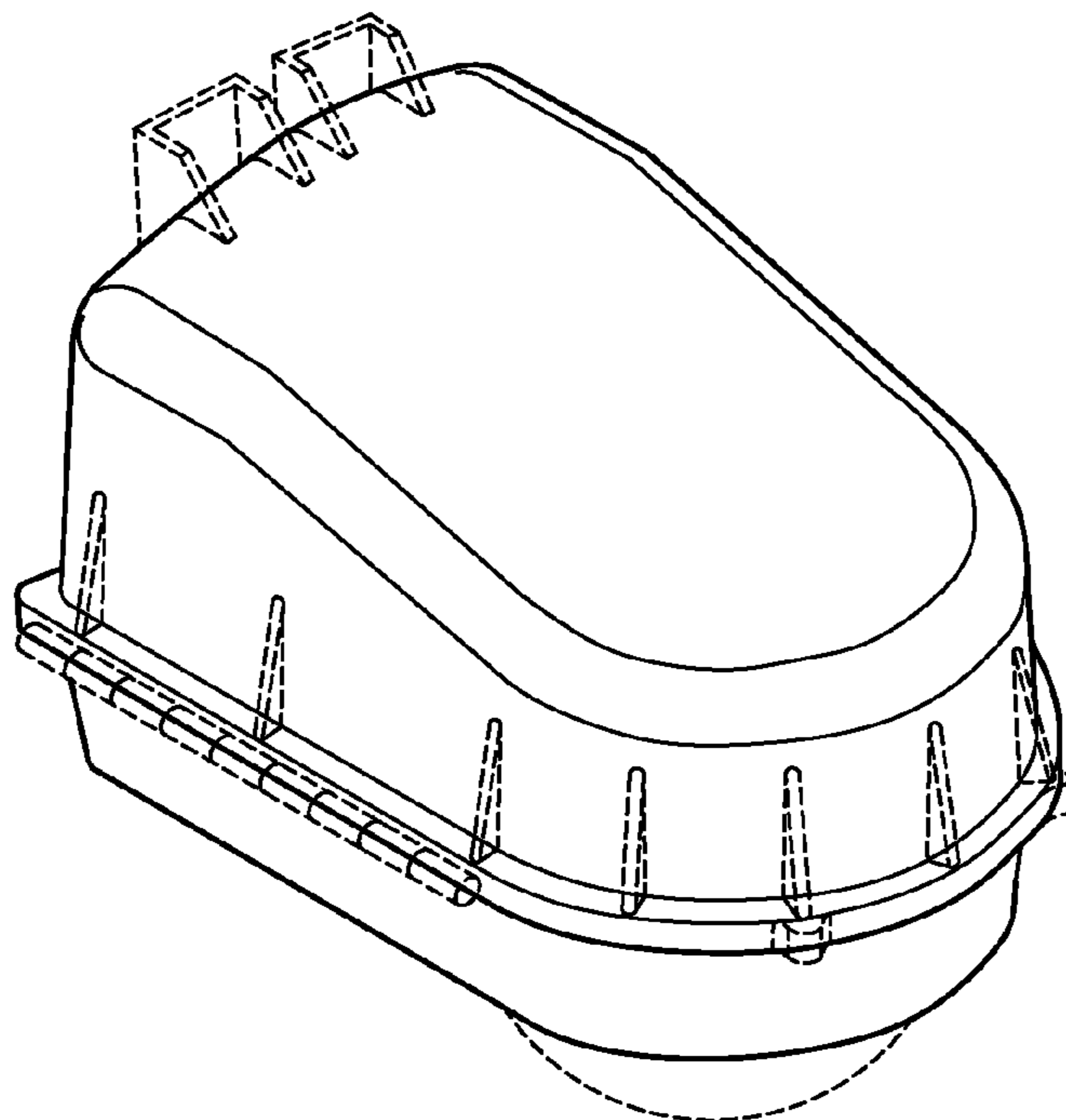
FIG. 5 is a top plan view of a camera housing showing our new design.

FIG. 6 is a rear elevation view of a camera housing showing our new design; and,

FIG. 7 is a front elevation view of a camera housing showing our new design.

The broken lines in the figures are for illustrative purposes only and form no part of the claimed design.

1 Claim, 2 Drawing Sheets



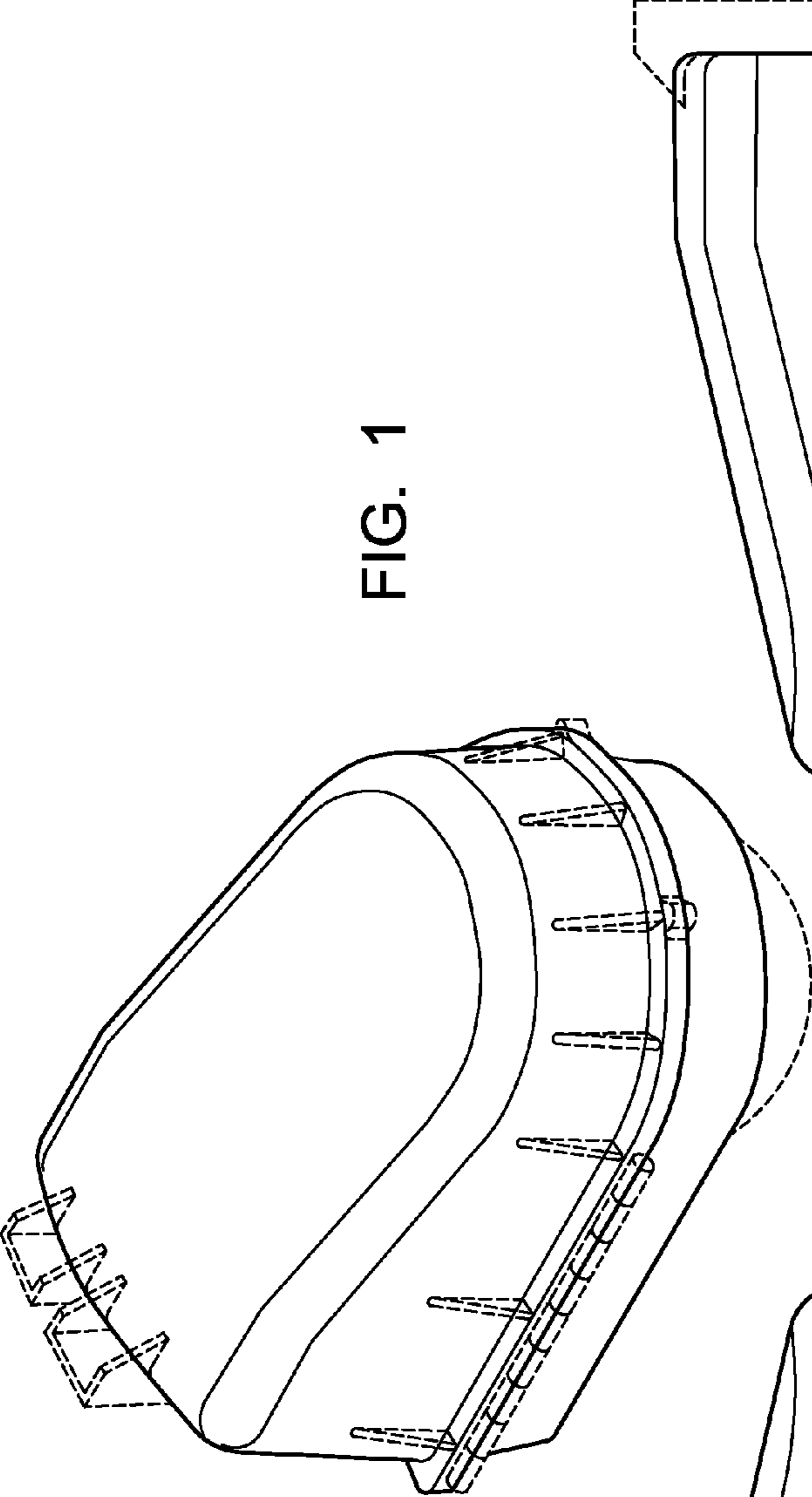


FIG. 1

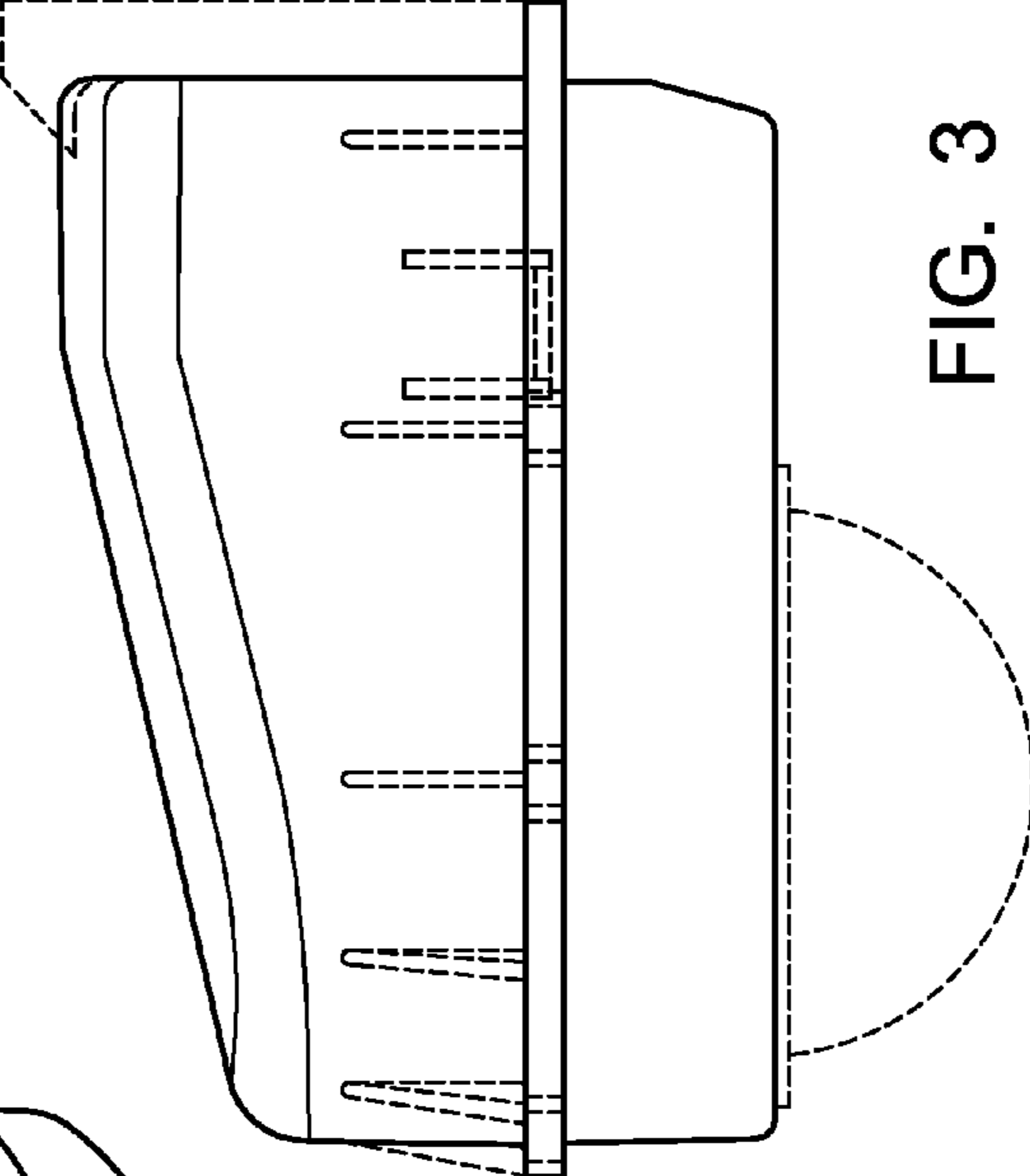


FIG. 3

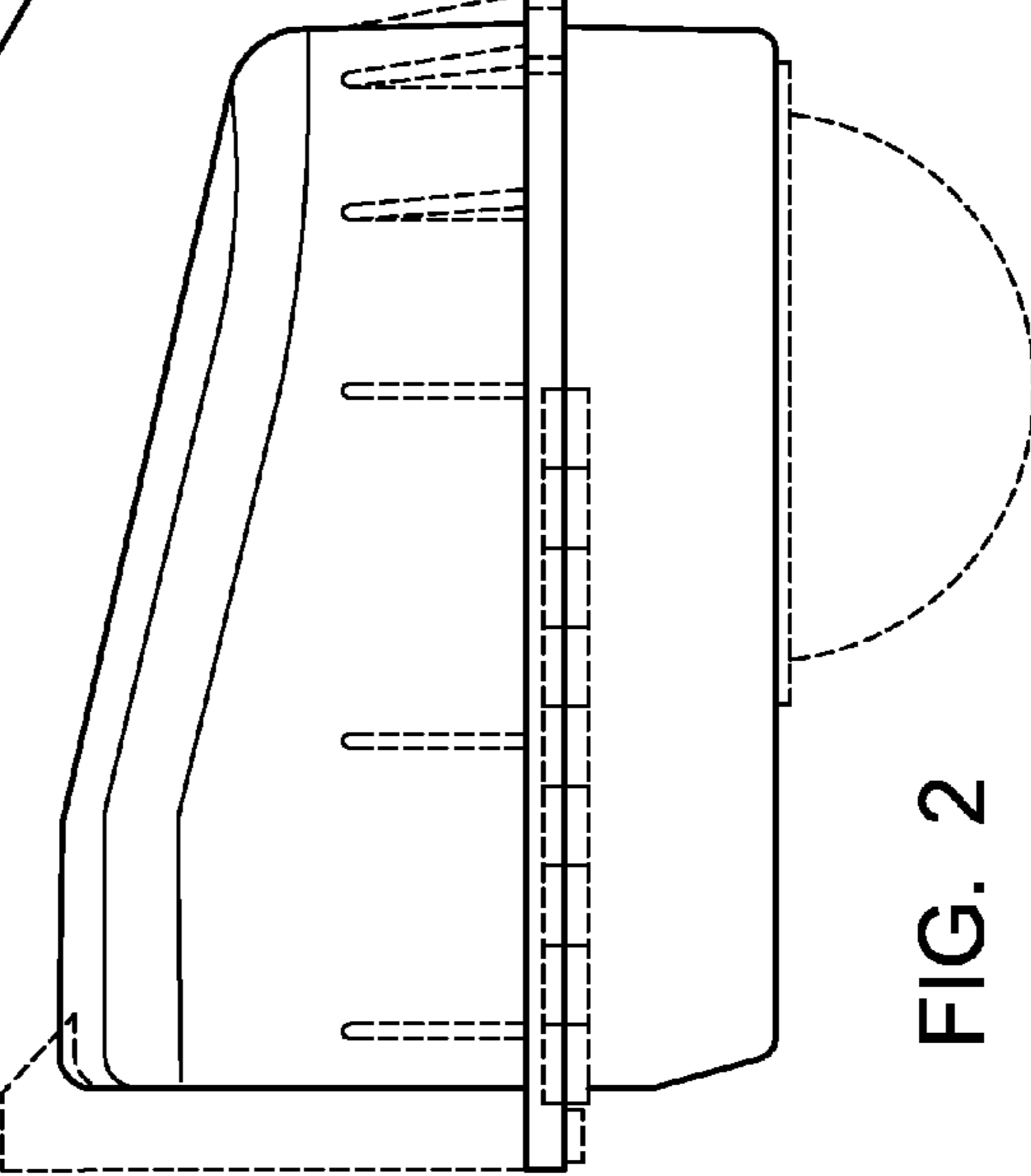


FIG. 2

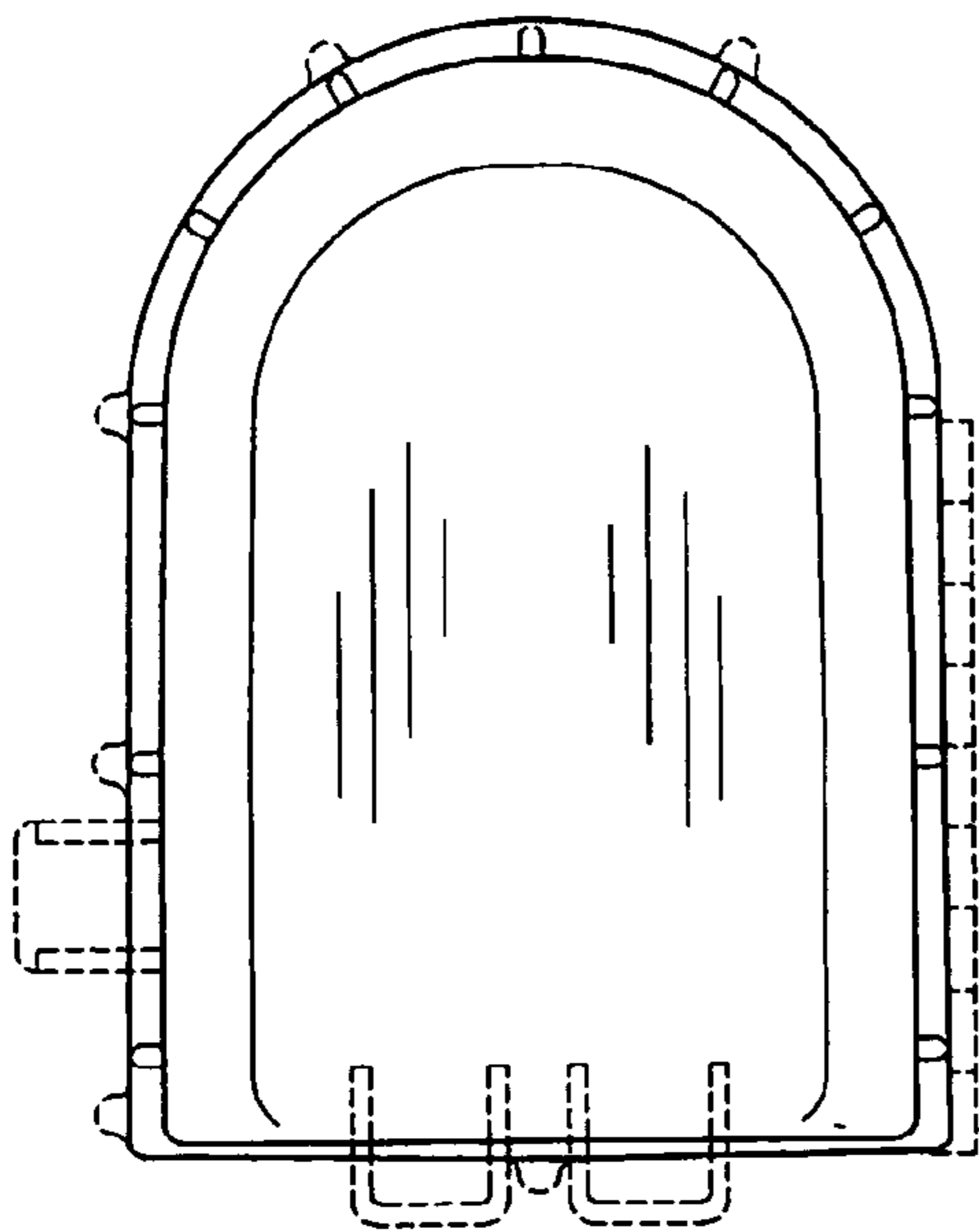


FIG. 5

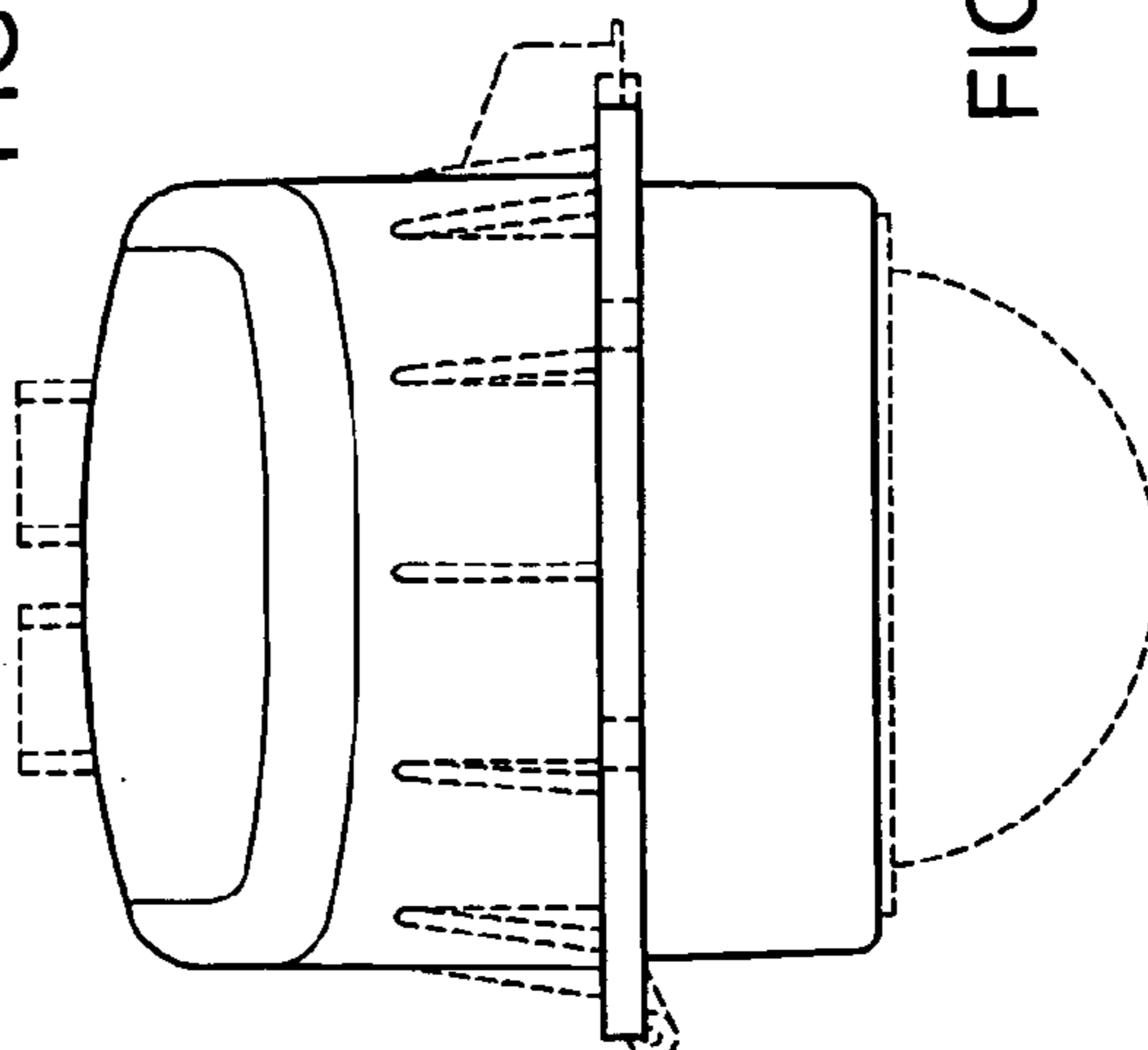


FIG. 7

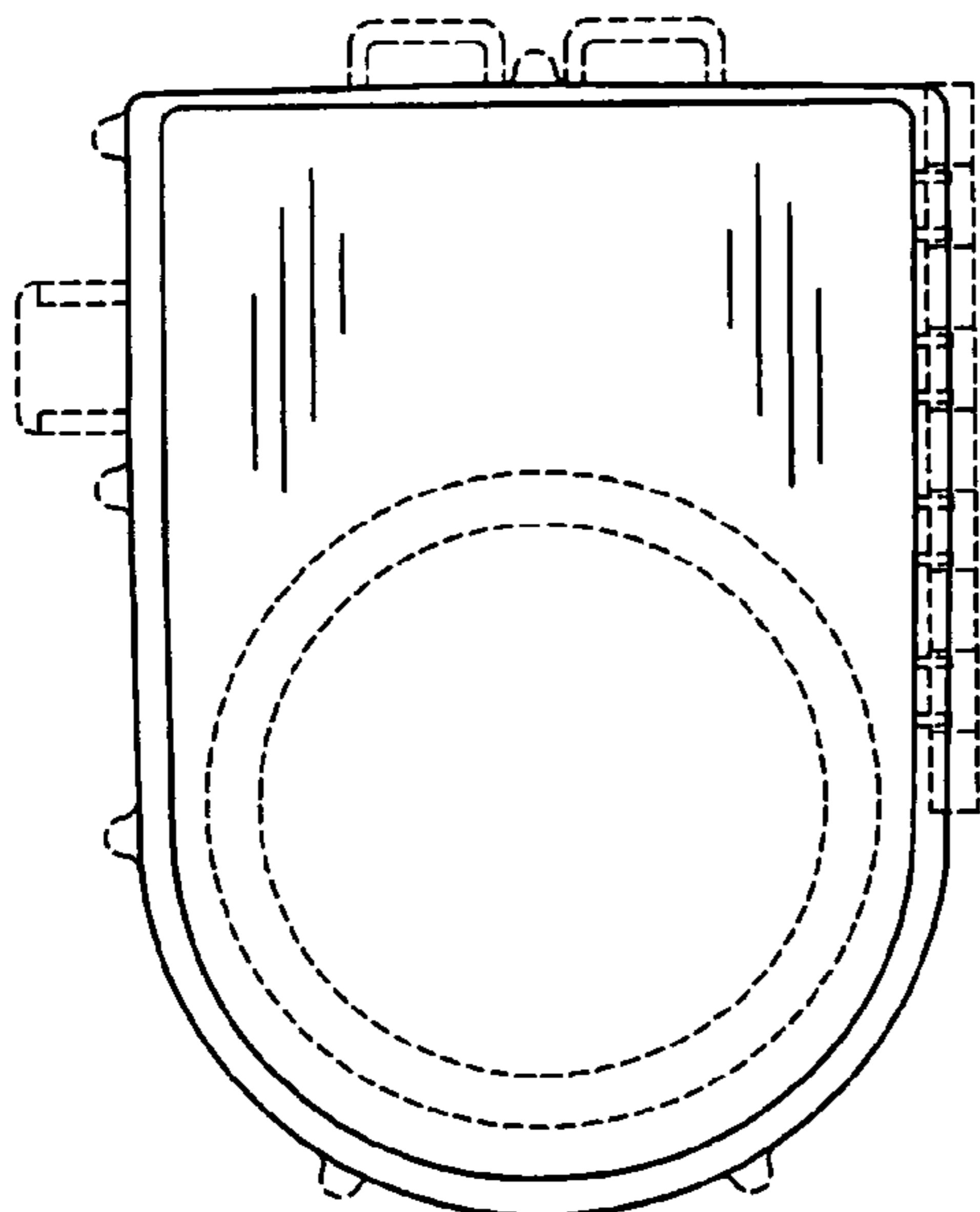


FIG. 4

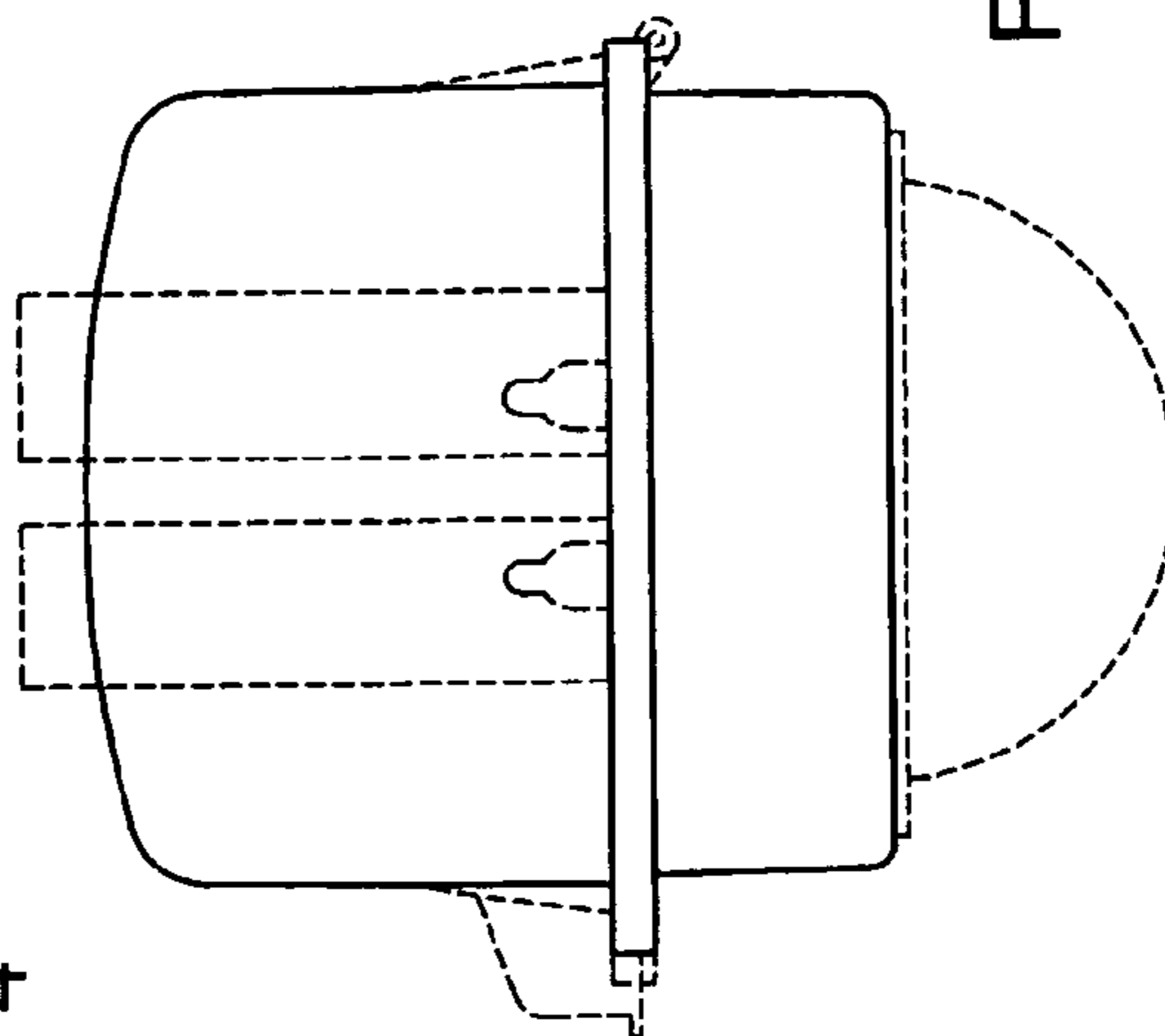


FIG. 6