



US00D577757S

(12) **United States Design Patent**
Sumita

(10) **Patent No.:** **US D577,757 S**
(45) **Date of Patent:** **** Sep. 30, 2008**

(54) **CAMERA**

D568,357 S * 5/2008 Shimobayashi D16/202
D568,359 S * 5/2008 Tajima D16/202

(75) Inventor: **Kaoru Sumita**, Tokyo (JP)
(73) Assignee: **Sony Corporation**, Tokyo (JP)
(**) Term: **14 Years**
(21) Appl. No.: **29/303,734**
(22) Filed: **Feb. 15, 2008**

FOREIGN PATENT DOCUMENTS

JP D1113587 4/2001
JP D1182401 6/2003
JP D1199813 1/2004
JP D1223913 10/2004
JP D1242931 4/2005

OTHER PUBLICATIONS

Cyber-shot® DSC-N1 Digital Camera <http://www.sonystyle.com/is-bin/INTERSHOP.enfinity/eCS/Store/en/-/USD/S...> May 23, 2006.
Cyber-shot® DSC-W100 Digital Camera <http://www.sonystyle.com/is-bin/INTERSHOP.enfinity/eCS/Store/en/-/USD/S...> May 25, 2006.
Canon USA Consumer Products—Digital Cameras—PowerShot SD450 <http://www.usa.canon.com/consumer/controller?act=ModelDetailAct&fcategoriid...> May 23, 2006.
EZ-Z60—Exilim Zoom—Cameras—Products—Casio http://www.casio.com/products/Cameras/Exilim_Zoom/EX-Z60/ May 23, 2006.
Leica—C-Lux 1 http://www.leica-camera.com/digitalekameras/c-lux1/index_e.html May 24, 2006.

Related U.S. Application Data

(62) Division of application No. 29/263,146, filed on Jul. 18, 2006, now Pat. No. Des. 566,149.

Foreign Application Priority Data

(30) Jan. 18, 2006 (JP) 2006-000784
Jan. 26, 2006 (TW) 95300450
Jan. 26, 2006 (TW) 95300452

(51) **LOC (8) Cl.** **16-01**
(52) **U.S. Cl.** **D16/202**
(58) **Field of Classification Search** D16/200–204,
D16/208, 218; 348/373–376; 358/909.1;
396/535–541
See application file for complete search history.

* cited by examiner

Primary Examiner—Adir Aronovich
(74) *Attorney, Agent, or Firm*—Oblon, Spivak, McClelland, Maier & Neustadt, P.C.

(56) **References Cited**

U.S. PATENT DOCUMENTS

D401,604 S 11/1998 Ito et al.
D423,031 S 4/2000 Shinohara et al.
D426,252 S 6/2000 Ito et al.
D443,289 S 6/2001 Omino
D456,436 S 4/2002 Omino
D475,383 S 6/2003 Omino
D475,384 S 6/2003 Tanaka
D481,405 S 10/2003 Sakaguchi
D490,833 S 6/2004 Sakaguchi et al.
D520,547 S 5/2006 Yanagisawa et al.
D525,274 S 7/2006 Nagayama et al.
D535,314 S 1/2007 Chang
D545,335 S * 6/2007 Kanno D16/218
D548,252 S * 8/2007 Tajima D16/202
D548,257 S 8/2007 Onuma et al.
D551,274 S * 9/2007 Onawa D16/202

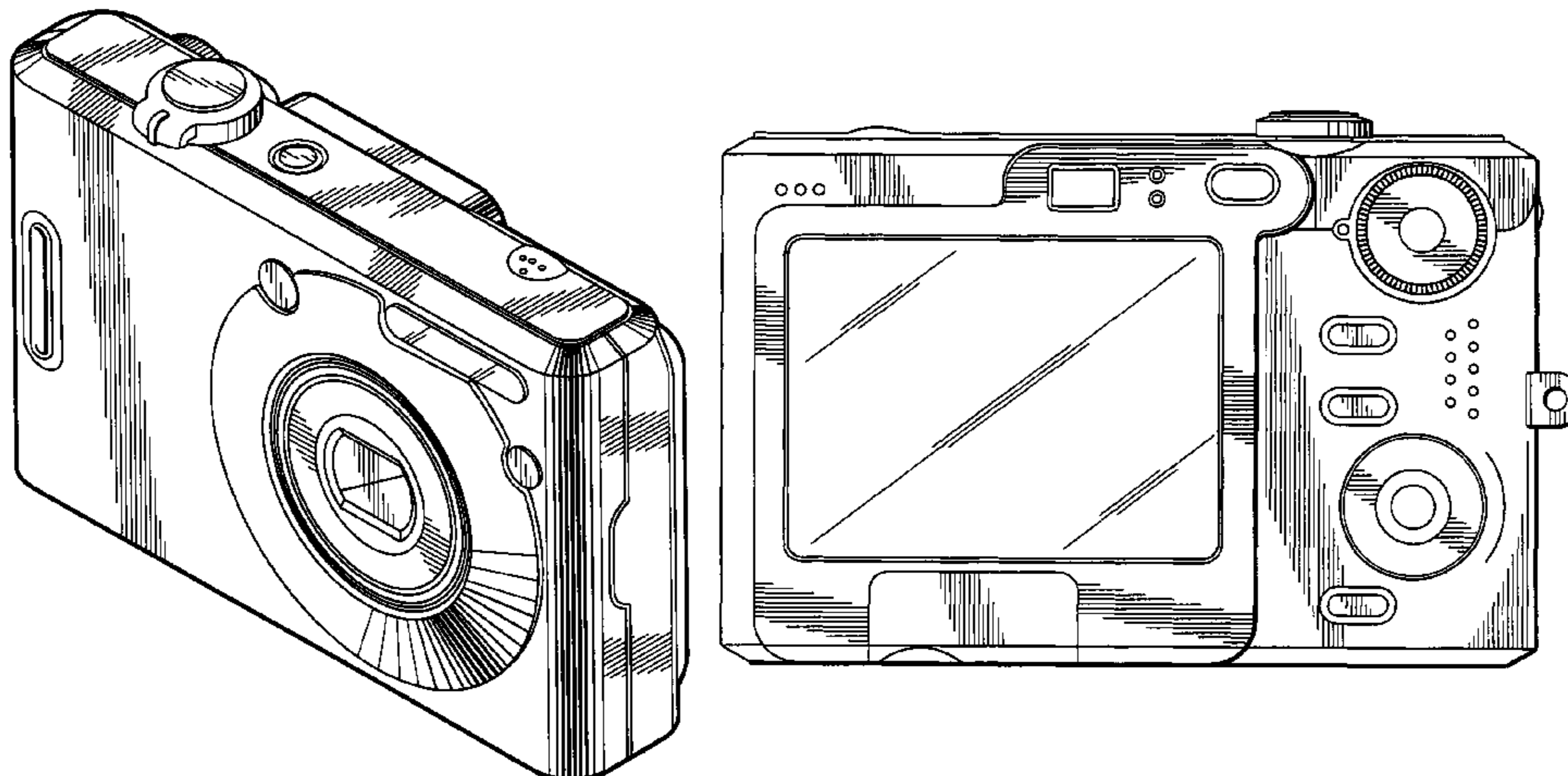
(57) **CLAIM**

The ornamental design for a camera, as shown and described.

DESCRIPTION

FIG. 1 is a top and right front perspective view of a camera, showing my design;
FIG. 2 is a front elevational view thereof;
FIG. 3 is a rear elevational view thereof;
FIG. 4 is a left side elevational view thereof;
FIG. 5 is a right side elevational view thereof;
FIG. 6 is a top plan view thereof; and,
FIG. 7 is a bottom plan view thereof.

1 Claim, 4 Drawing Sheets



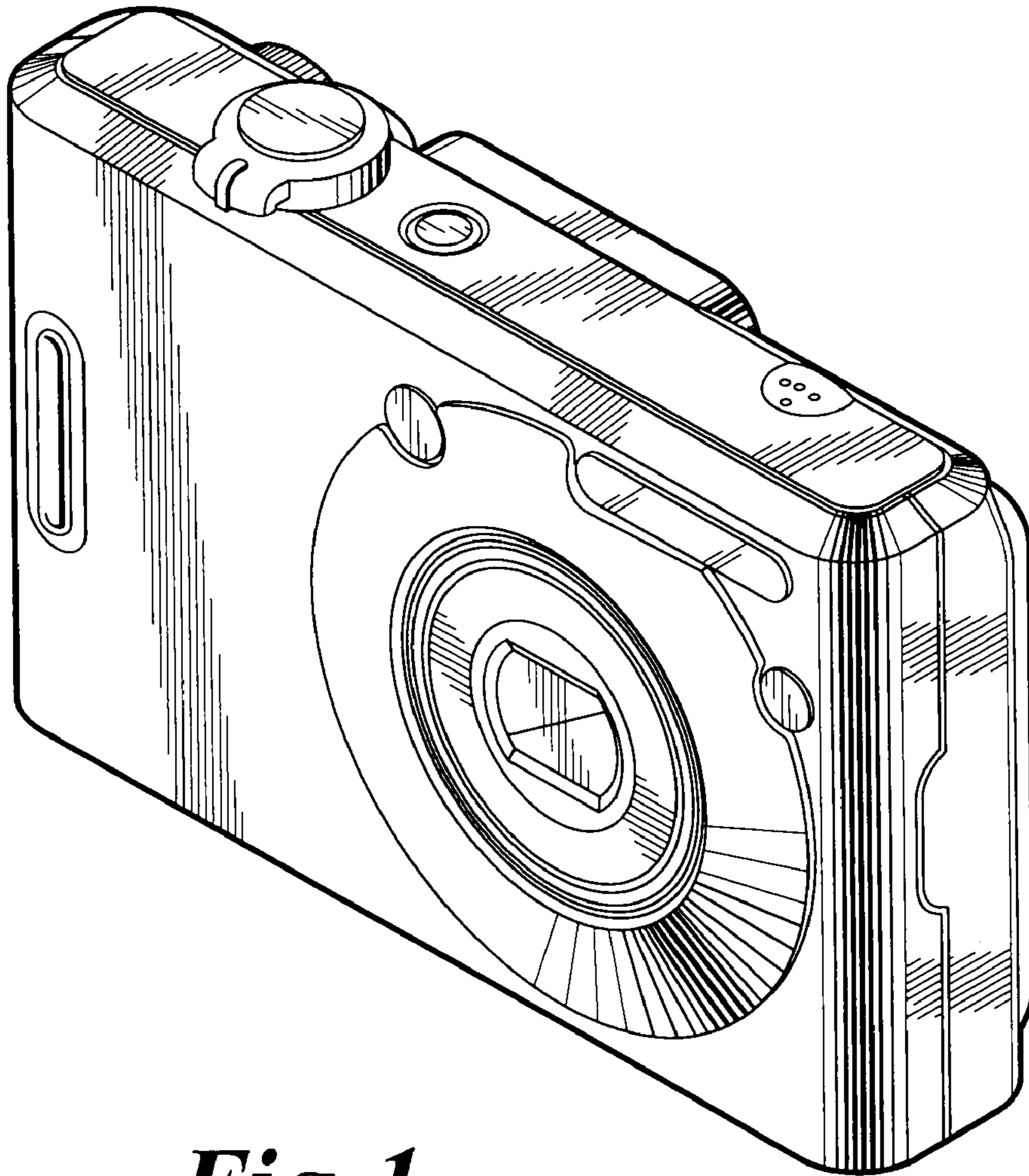


Fig. 1

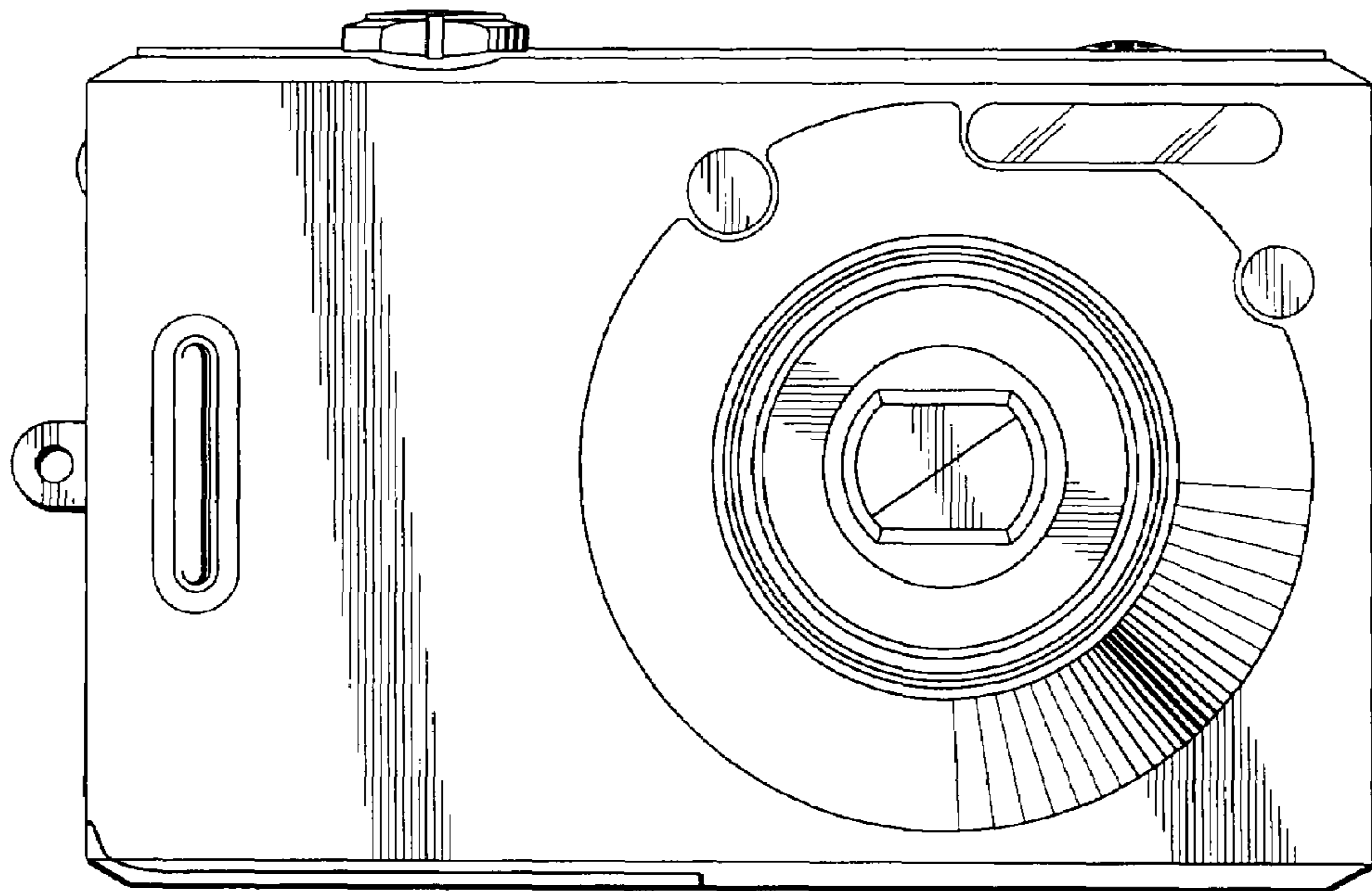


Fig. 2

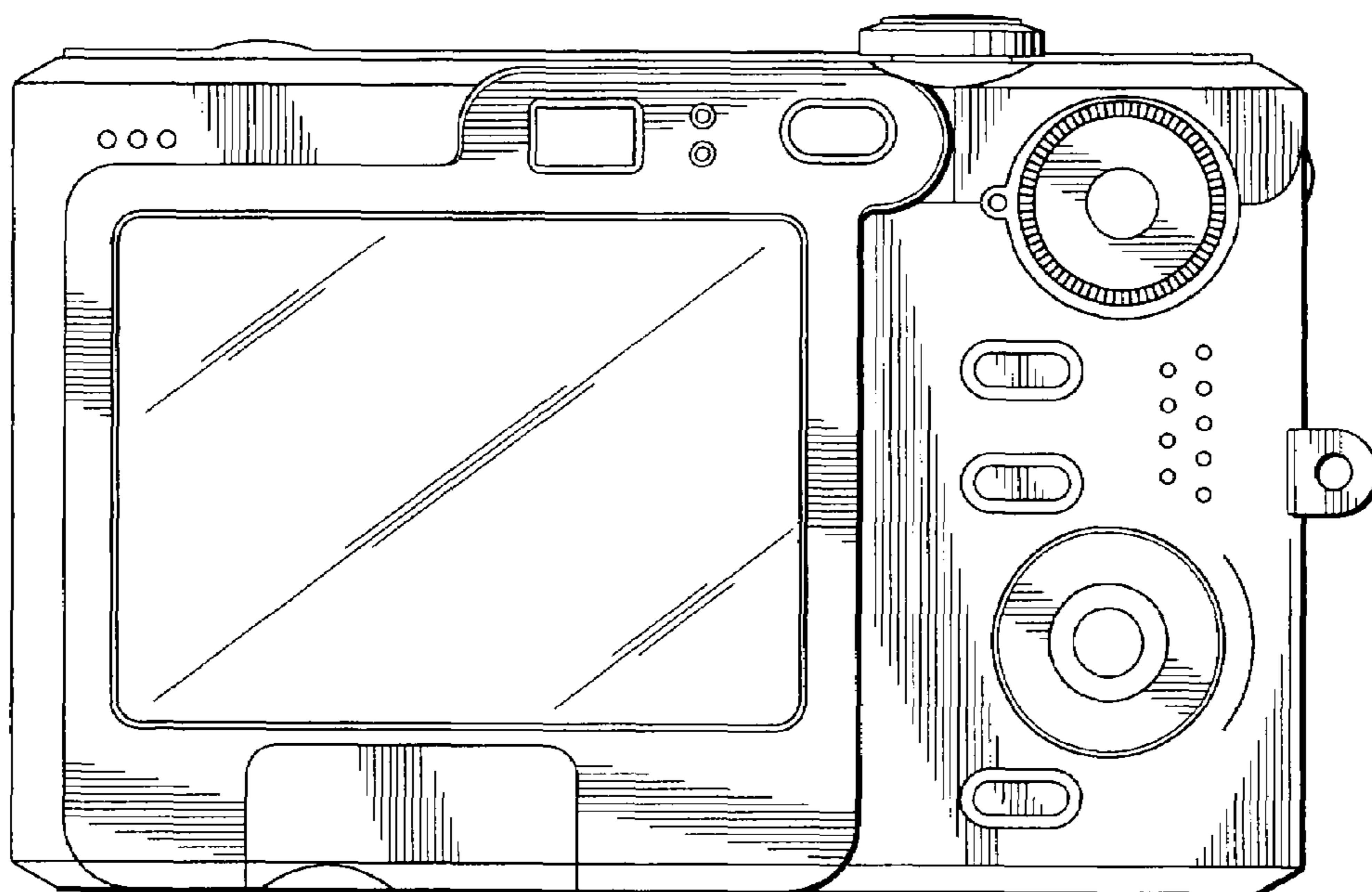


Fig. 3

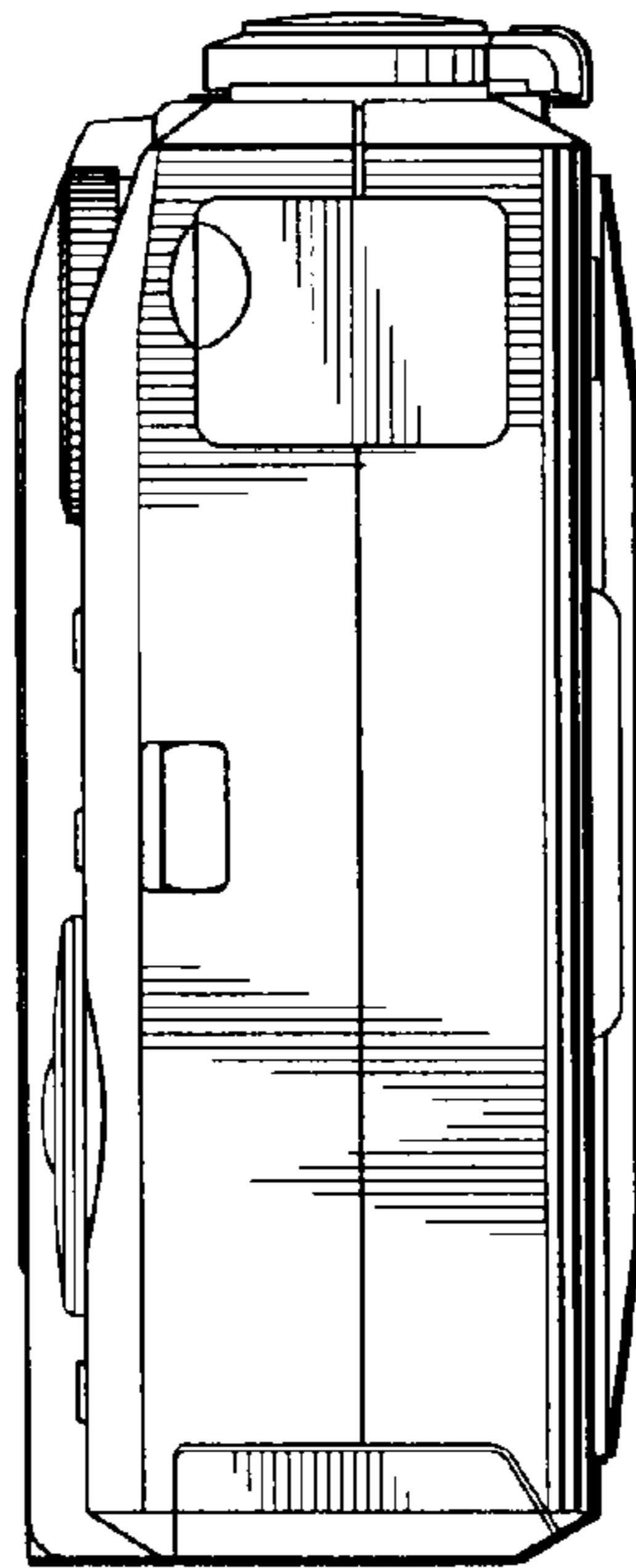


Fig. 4

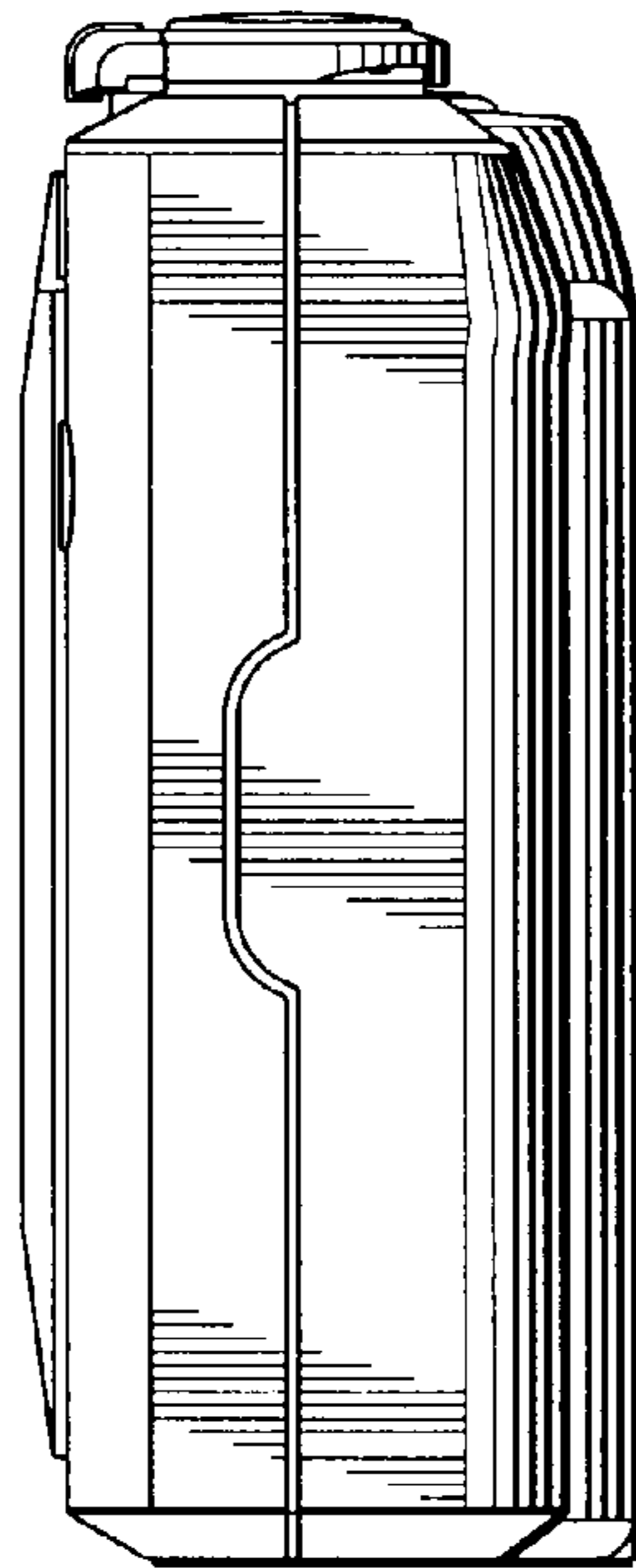


Fig. 5

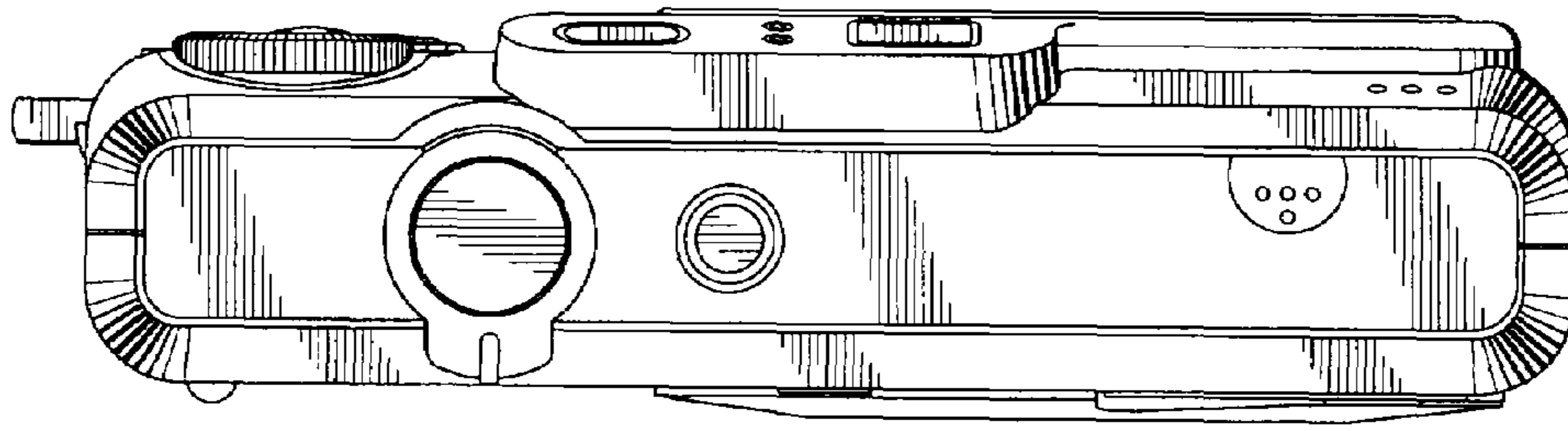


Fig. 6

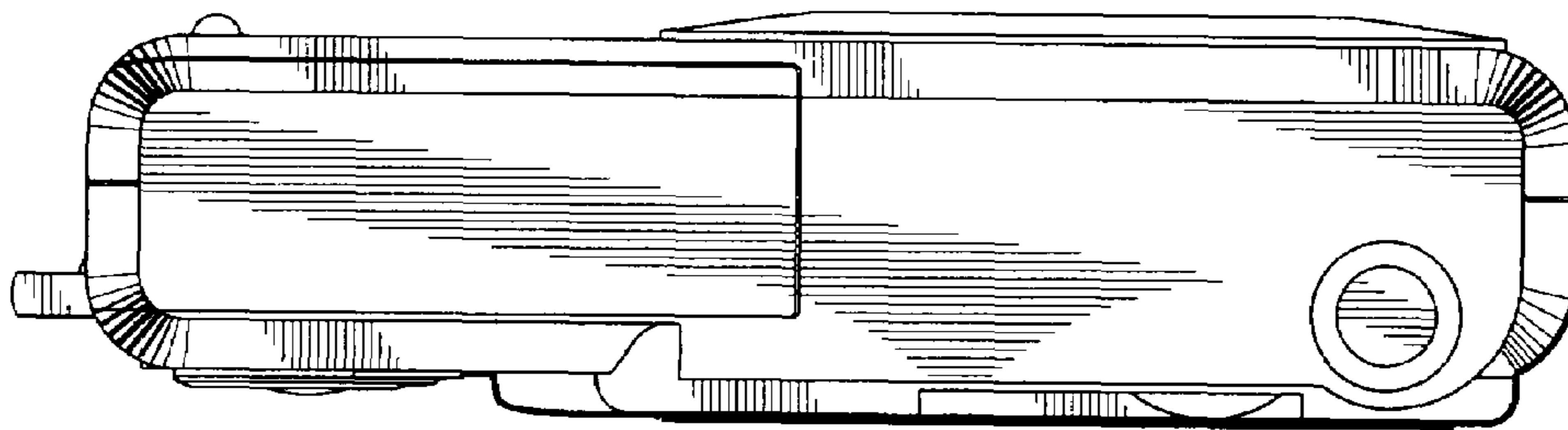


Fig. 7