



US00D577756S

(12) **United States Design Patent**
Nakamura

(10) **Patent No.:** **US D577,756 S**

(45) **Date of Patent:** **** Sep. 30, 2008**

(54) **DIGITAL STILL CAMERA**

(75) Inventor: **Makoto Nakamura**, Kadoma (JP)

(73) Assignee: **Matsushita Electric Industrial Co., Ltd.**, Osaka (JP)

(**) Term: **14 Years**

(21) Appl. No.: **29/297,392**

(22) Filed: **Nov. 9, 2007**

(30) **Foreign Application Priority Data**

May 11, 2007 (JP) 2007-012438

(51) **LOC (8) Cl.** **16-01**

(52) **U.S. Cl.** **D16/202**

(58) **Field of Classification Search** D16/200–204,
D16/208, 209, 218; 348/373–376; 358/909.1;
396/535–541

See application file for complete search history.

(56) **References Cited**

U.S. PATENT DOCUMENTS

D457,903 S 5/2002 Nasu D16/202
D547,344 S * 7/2007 Kurita et al. D16/202
D547,345 S * 7/2007 Iida et al. D16/202
D548,256 S * 8/2007 Hase et al. D16/202
D558,246 S * 12/2007 Hayamizu D16/202

D558,807 S * 1/2008 Horiki et al. D16/202
D568,357 S * 5/2008 Shimobayashi D16/202
2007/0212062 A1 * 9/2007 Saiki et al. 396/535

OTHER PUBLICATIONS

Panasonic, “Model FX5—2004 Digital Camera”, *Brochure*,
Panasonic, 2004, 2 pages.

* cited by examiner

Primary Examiner—Adir Aronovich

(74) *Attorney, Agent, or Firm*—Brinks Hofer Gilson & Lione

(57) **CLAIM**

I claim the ornamental design for a digital still camera, as
shown and described.

DESCRIPTION

FIG. 1 is a front perspective view of a digital still camera of
the present invention;

FIG. 2 is a front elevational view thereof;

FIG. 3 is a top plan view thereof;

FIG. 4 is a bottom plan view thereof;

FIG. 5 is a left side elevational view thereof;

FIG. 6 is a right side elevational view thereof; and,

FIG. 7 is a rear elevational view thereof.

1 Claim, 3 Drawing Sheets

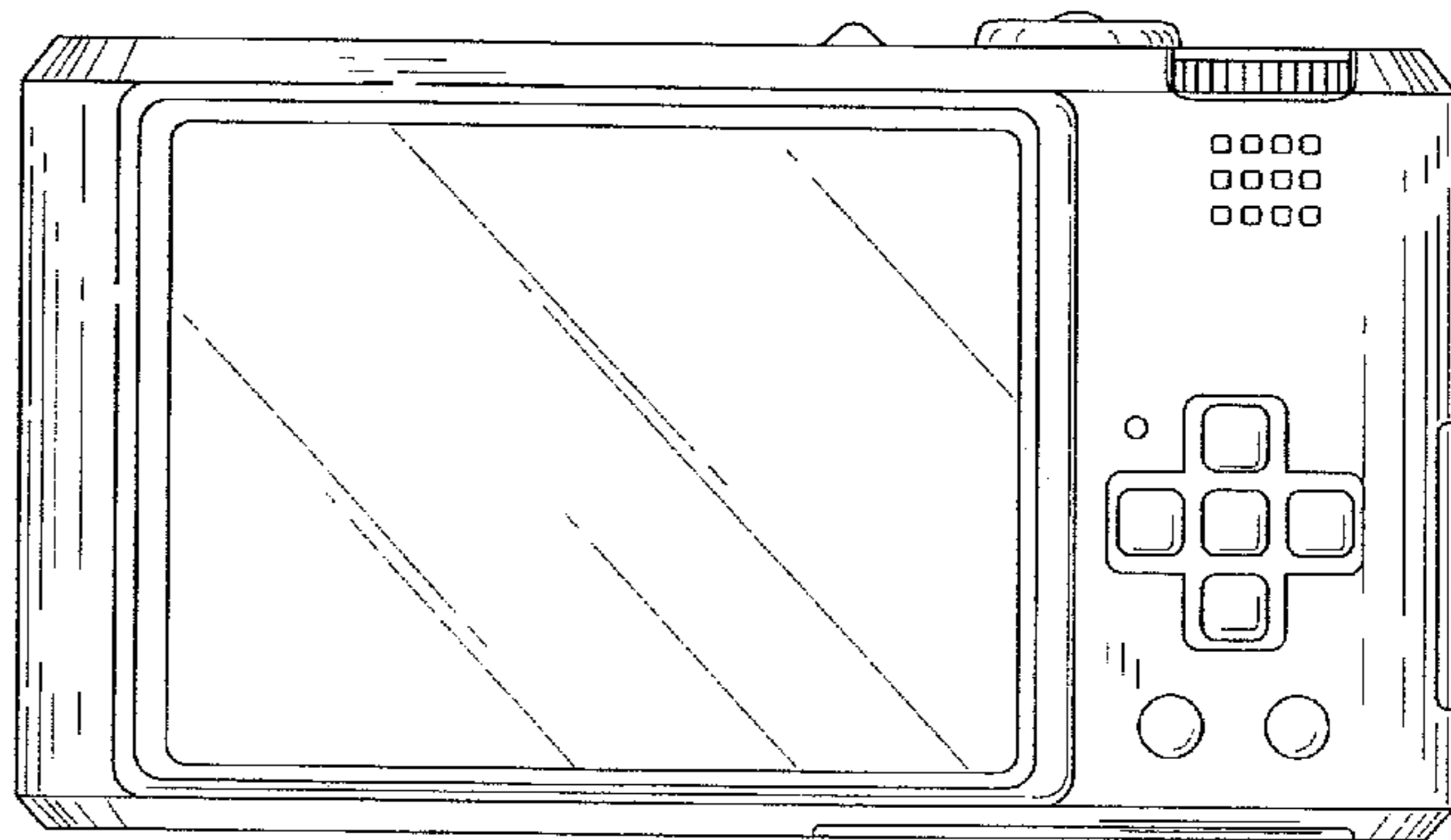
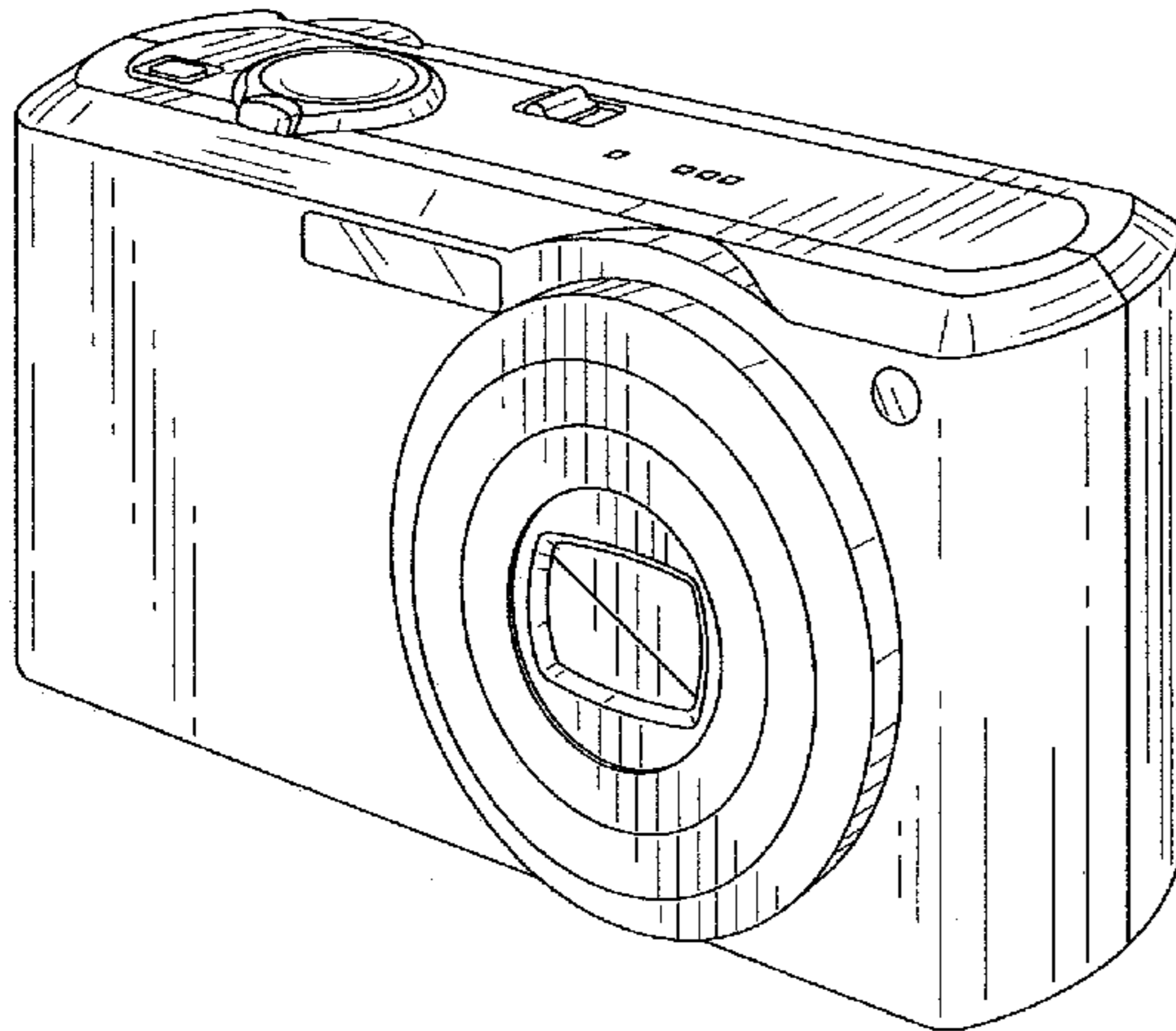


FIG.1

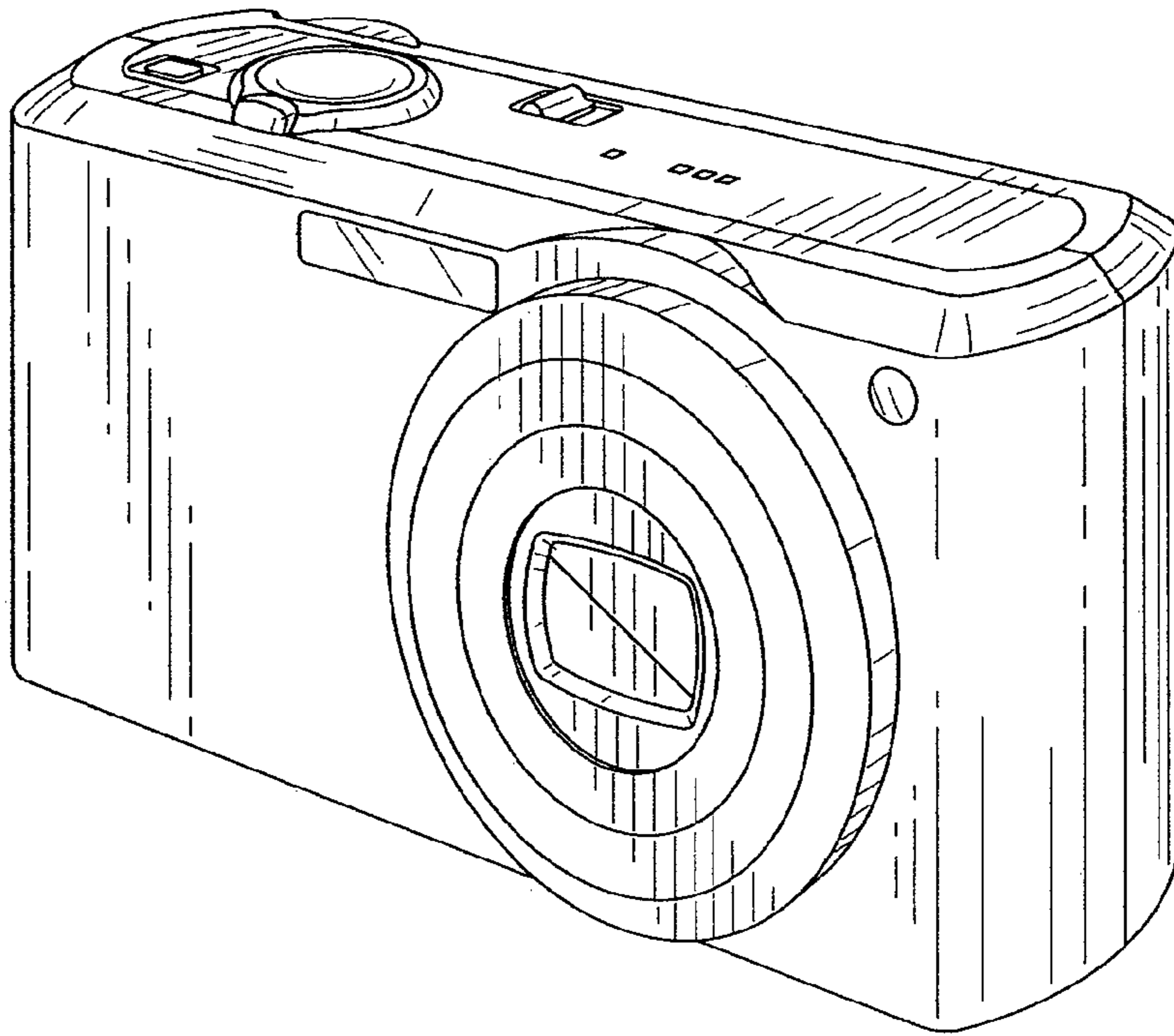


FIG.2

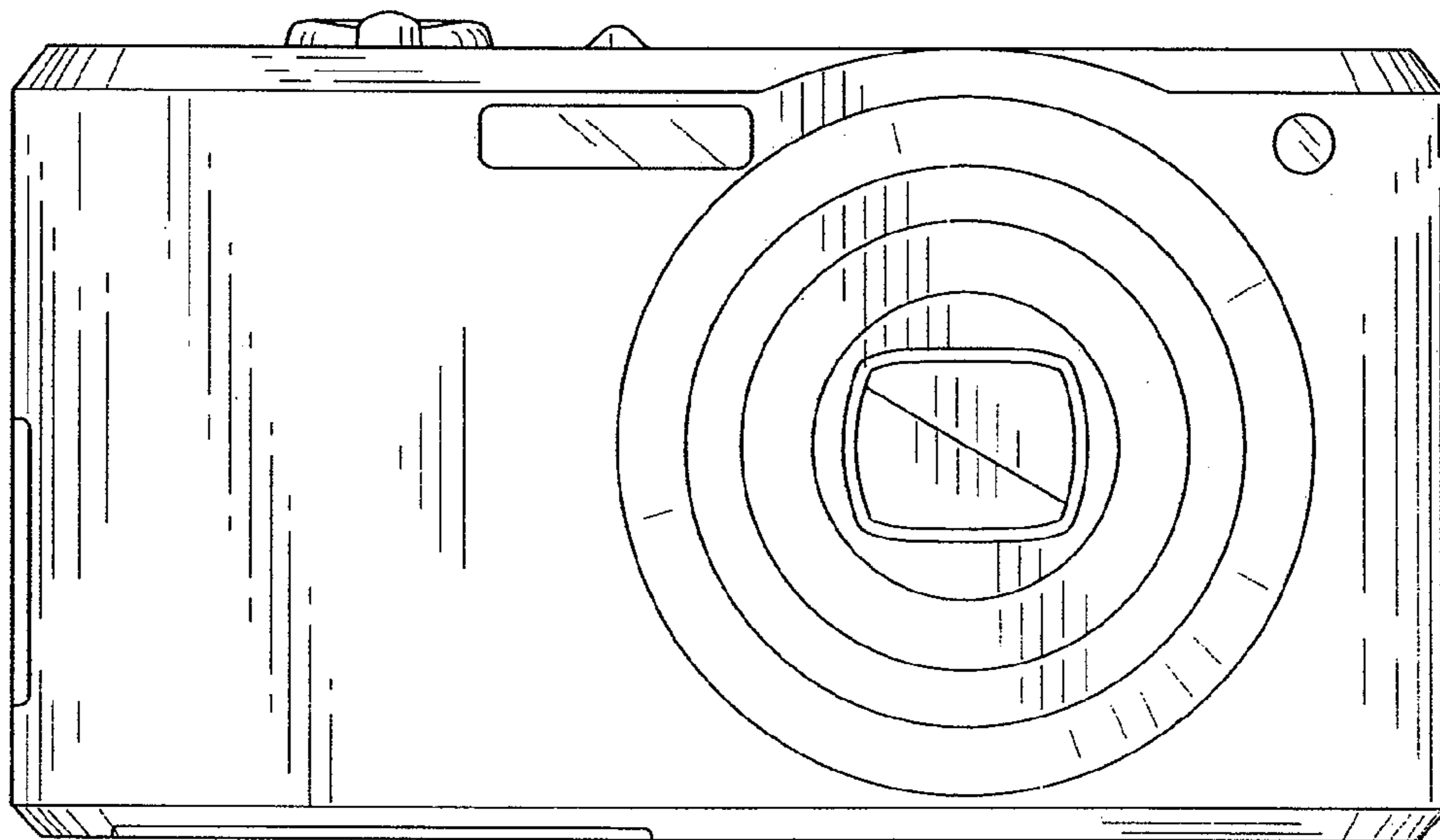


FIG.3

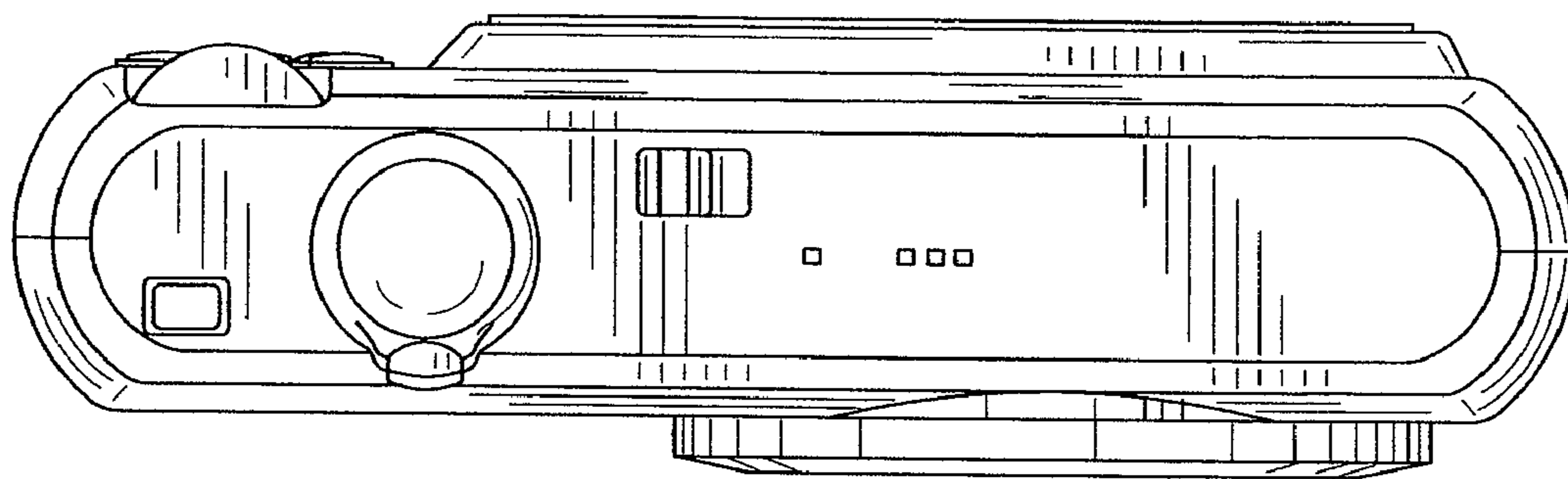


FIG.4

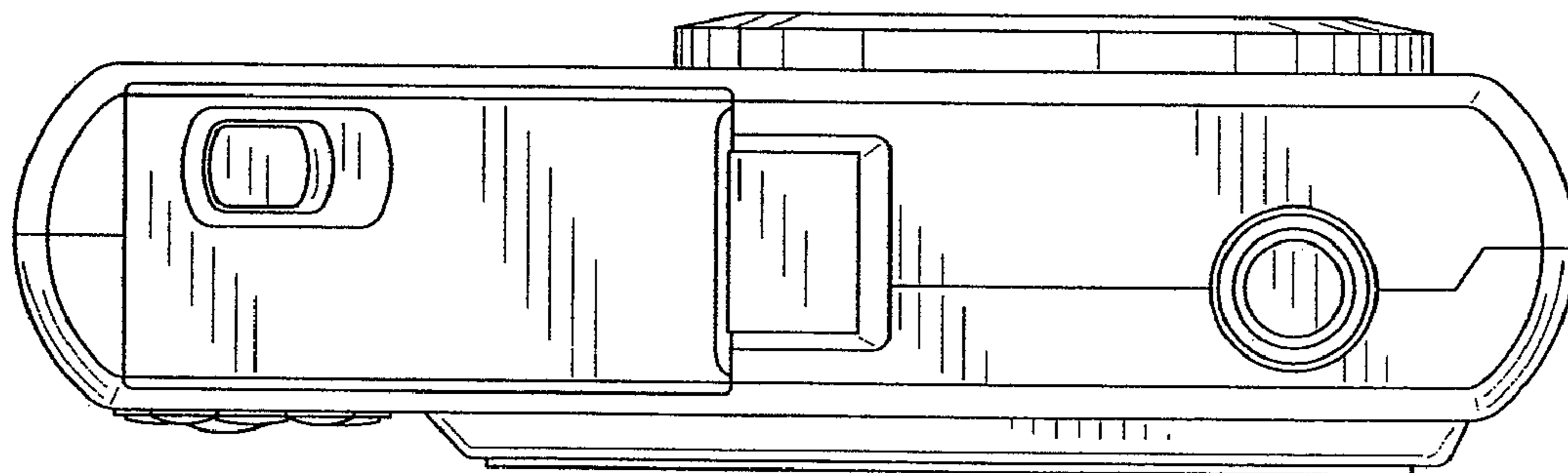


FIG.5

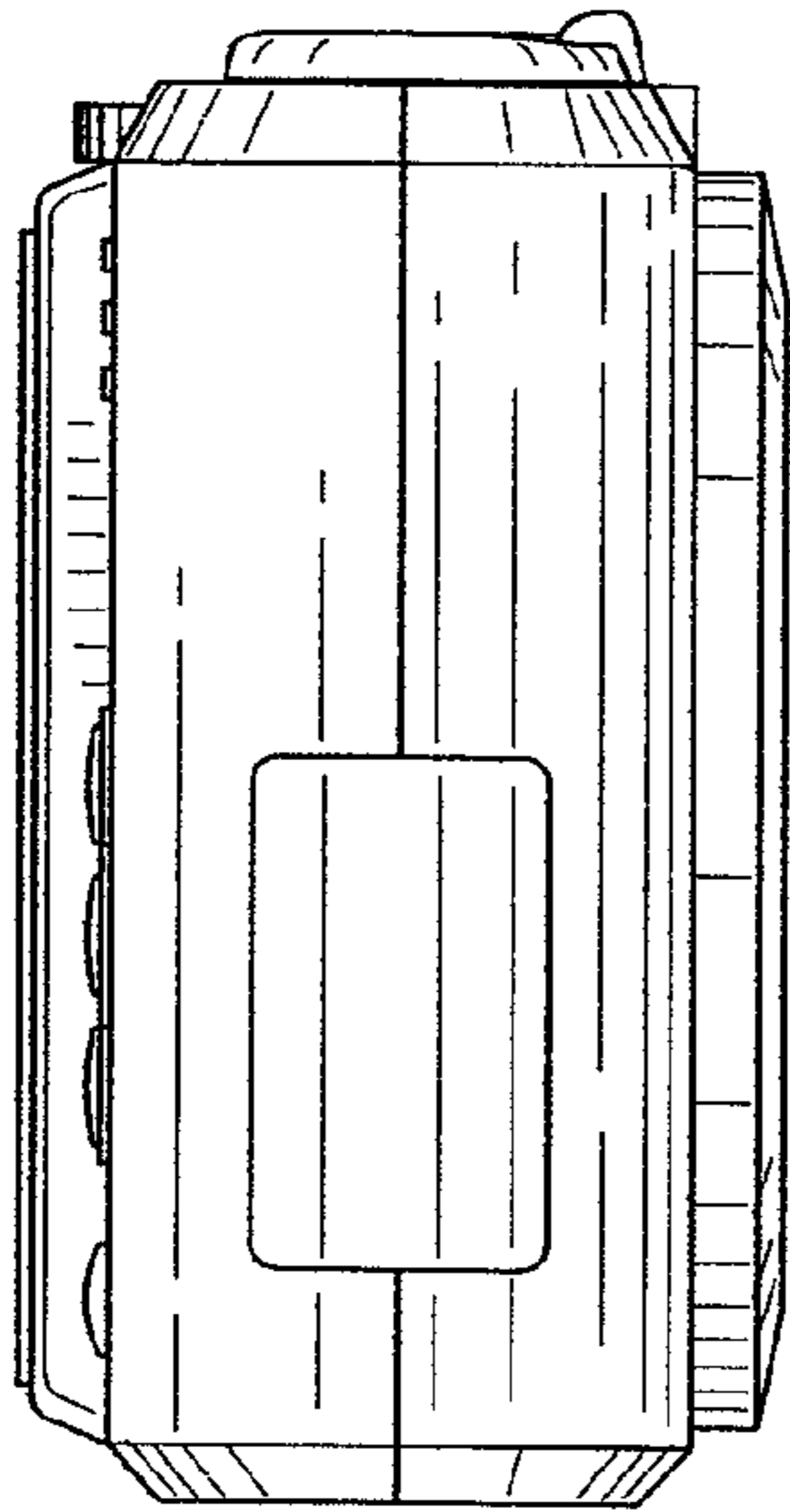


FIG.6

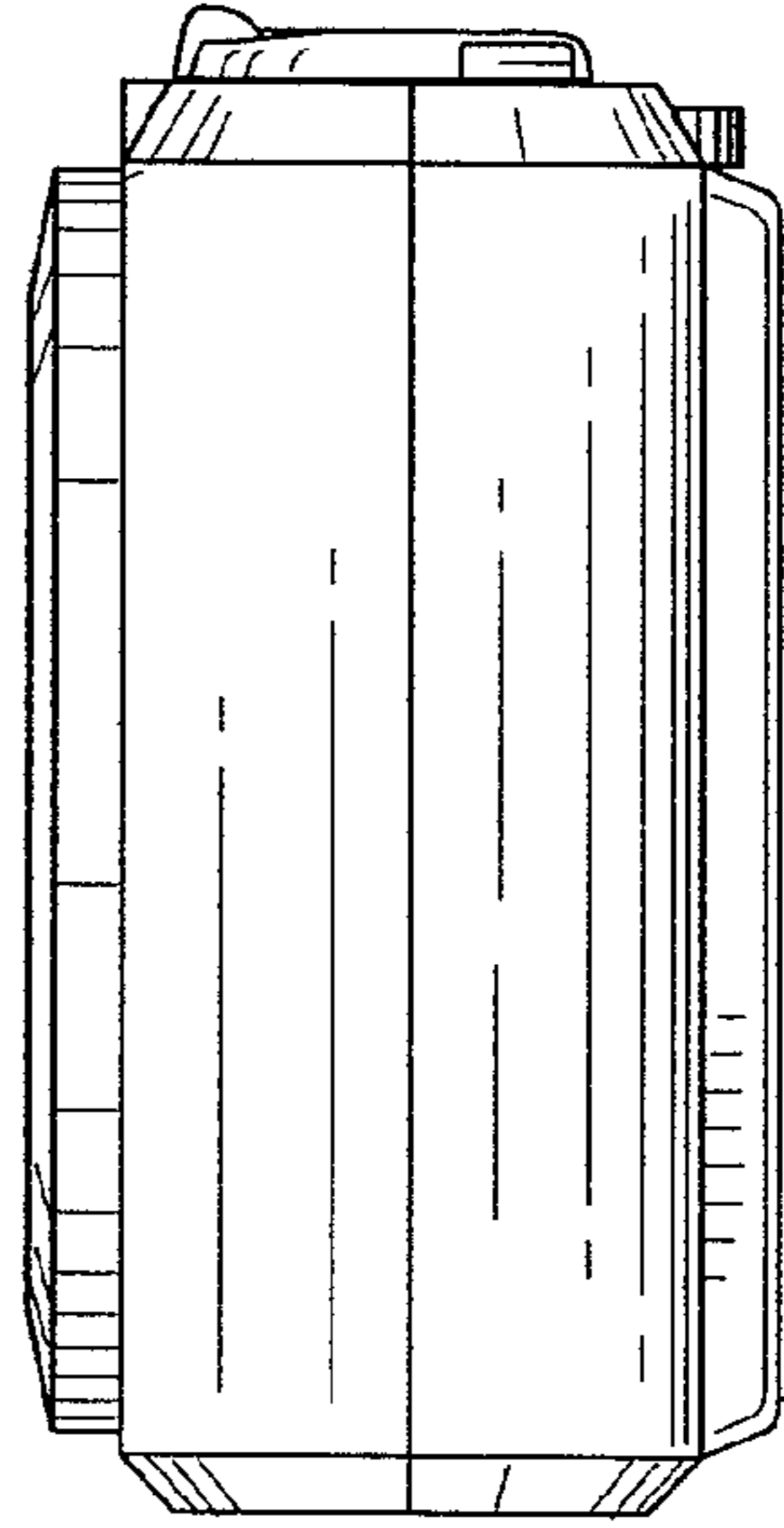


FIG.7

