



US00D577754S

(12) **United States Design Patent**
Leung et al.

(10) **Patent No.:** **US D577,754 S**
(45) **Date of Patent:** **** Sep. 30, 2008**

(54) **CAMERA**

(75) Inventors: **Wei Lit Wilfred Leung**, Singapore (SG); **Boon Keat Eddy Toh**, Singapore (SG); **Qian Hong**, Singapore (SG)

(73) Assignee: **Creative Technology Ltd**, Singapore (SG)

(**) Term: **14 Years**

(21) Appl. No.: **29/271,954**

(22) Filed: **Jan. 30, 2007**

(51) **LOC (8) Cl.** **16-01**

(52) **U.S. Cl.** **D16/202**

(58) **Field of Classification Search** D16/200–206, D16/208, 213, 218–219; 348/143, 373–376; 358/906, 909.1; 396/427–428, 419, 421, 396/535–541

See application file for complete search history.

(56) **References Cited**

U.S. PATENT DOCUMENTS

D447,758 S *	9/2001	Lin et al.	D16/202
D470,875 S *	2/2003	Liao	D16/202
D500,067 S *	12/2004	Liu	D16/202
D507,007 S	7/2005	Sitoh et al.		
D511,181 S *	11/2005	Huang et al.	D16/202
D523,050 S	6/2006	Bahroocha et al.		
D523,887 S	6/2006	Sitoh et al.		

7,066,664 B1 *	6/2006	Sitoh et al.	396/428
D527,755 S *	9/2006	Wu	D16/202
D533,575 S	12/2006	Reawsanganwong et al.		
D550,267 S	9/2007	Oh et al.		
D552,144 S *	10/2007	Logan et al.	D16/202

* cited by examiner

Primary Examiner—Ian Simmons

Assistant Examiner—Wan Laymon

(74) *Attorney, Agent, or Firm*—Kennedy Koblin

(57) **CLAIM**

The ornamental design for a camera, substantially as shown and described.

DESCRIPTION

FIG. 1 is a front perspective view of a camera showing our new design;

FIG. 2 is a rear view of the camera shown in FIG. 1;

FIG. 3 is a front view of the camera shown in FIG. 1;

FIG. 4 is a top view of the camera shown in FIG. 1;

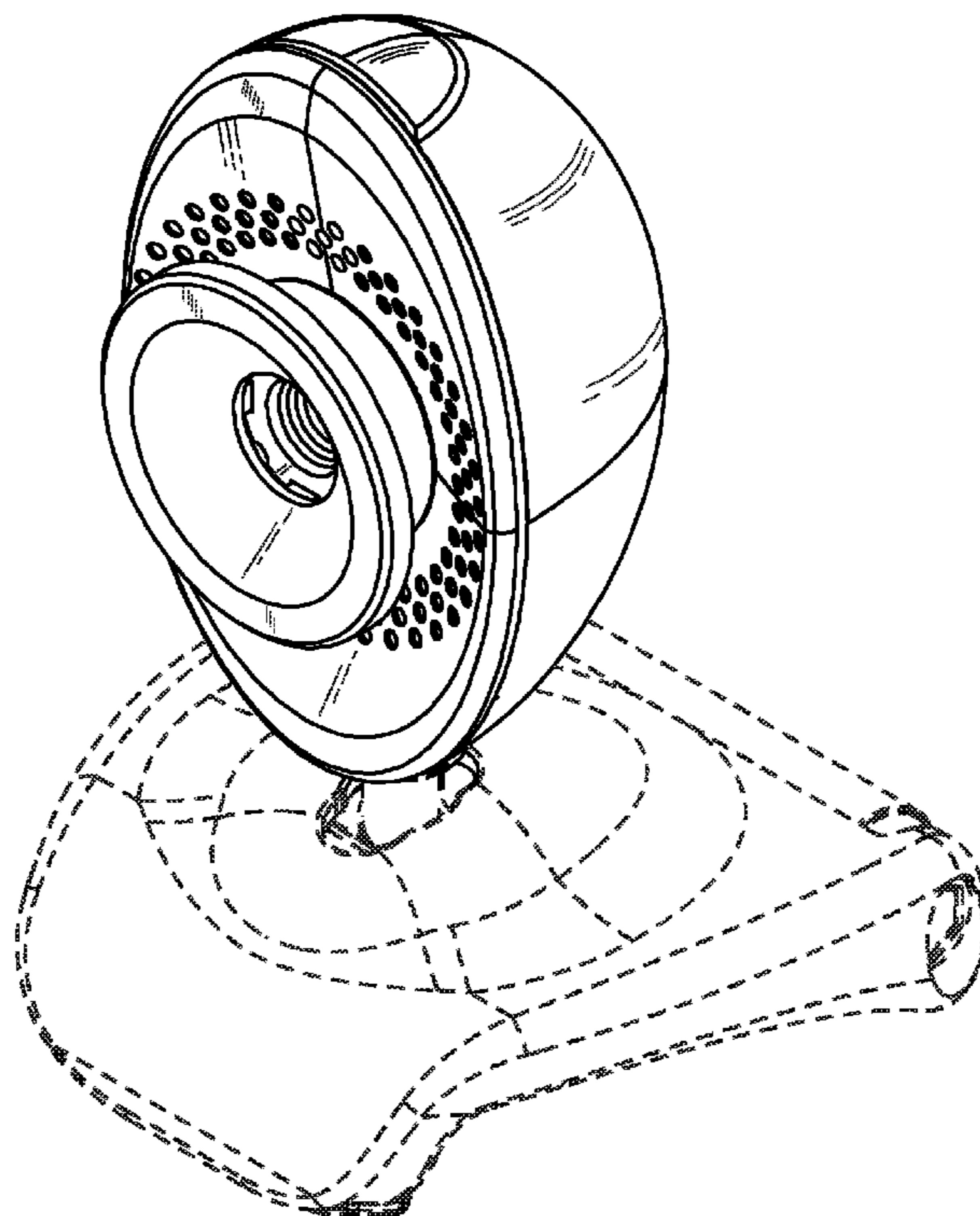
FIG. 5 is a bottom view of the camera shown in FIG. 1;

FIG. 6 is a left side view of the camera shown in FIG. 1; and,

FIG. 7 is a right side view of the camera shown in FIG. 1.

The broken line showing of the camera base and other features is included for the purpose of illustrating environmental structure and forms no part of the claimed design.

1 Claim, 4 Drawing Sheets



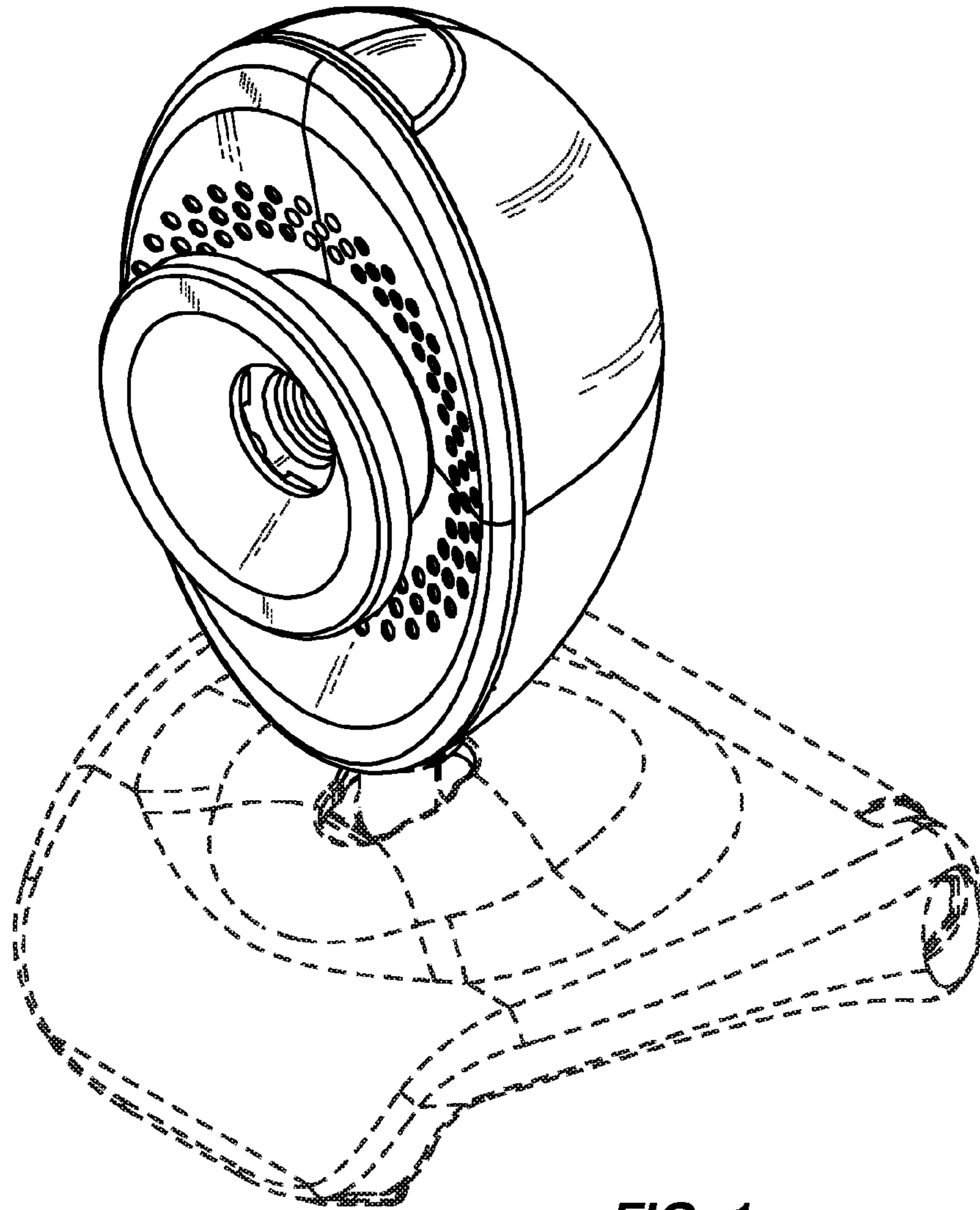


FIG. 1

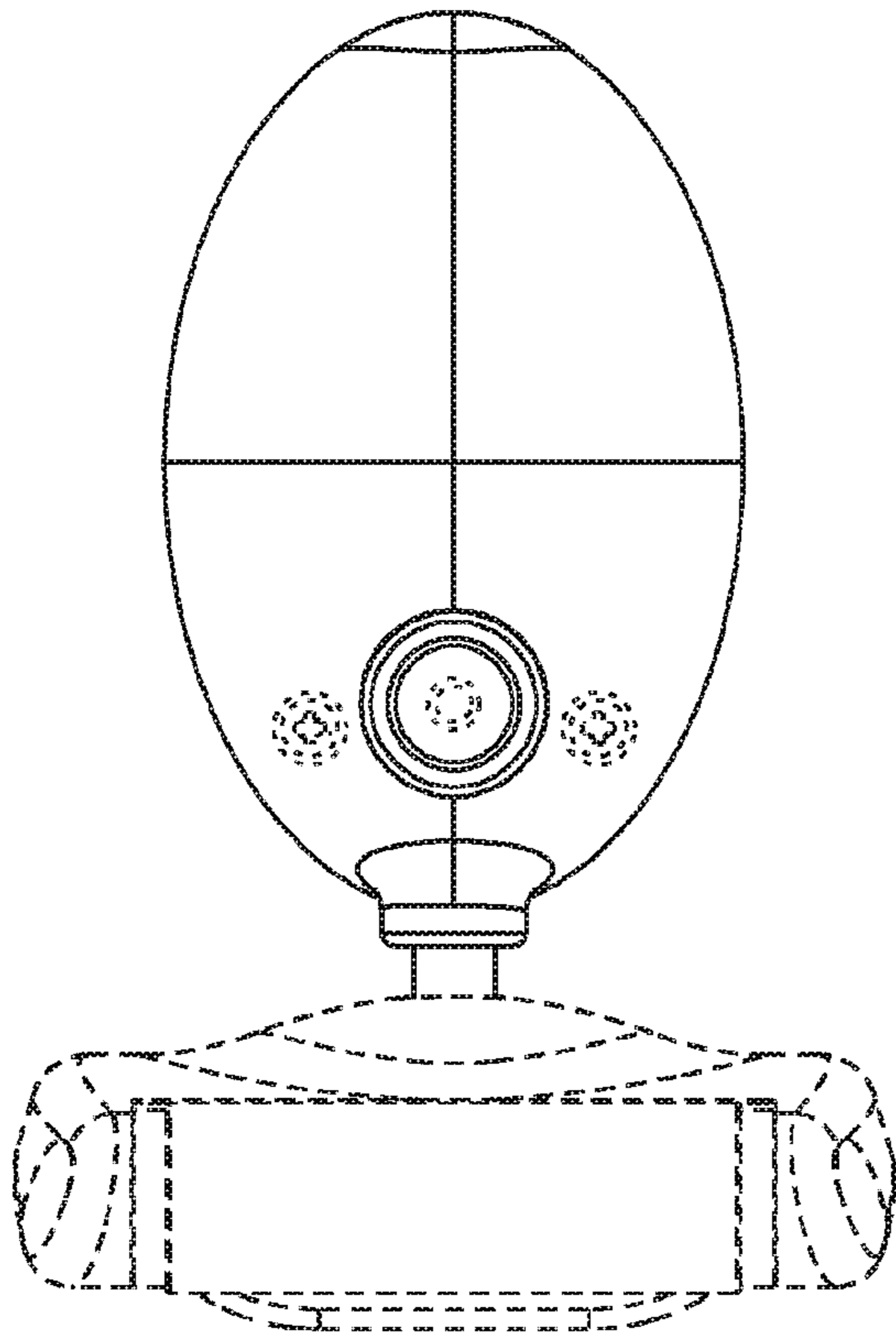


FIG. 2

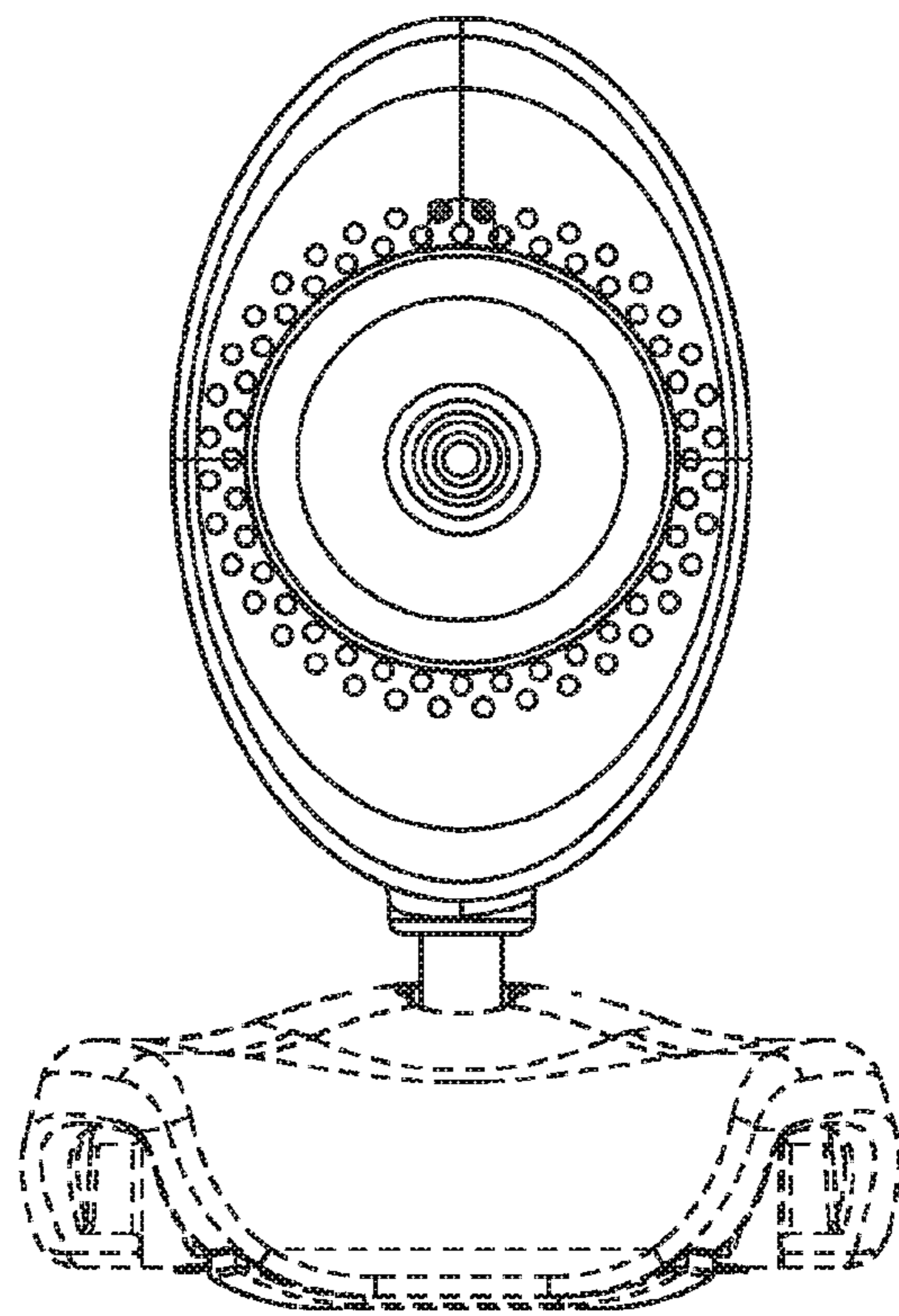


FIG. 3

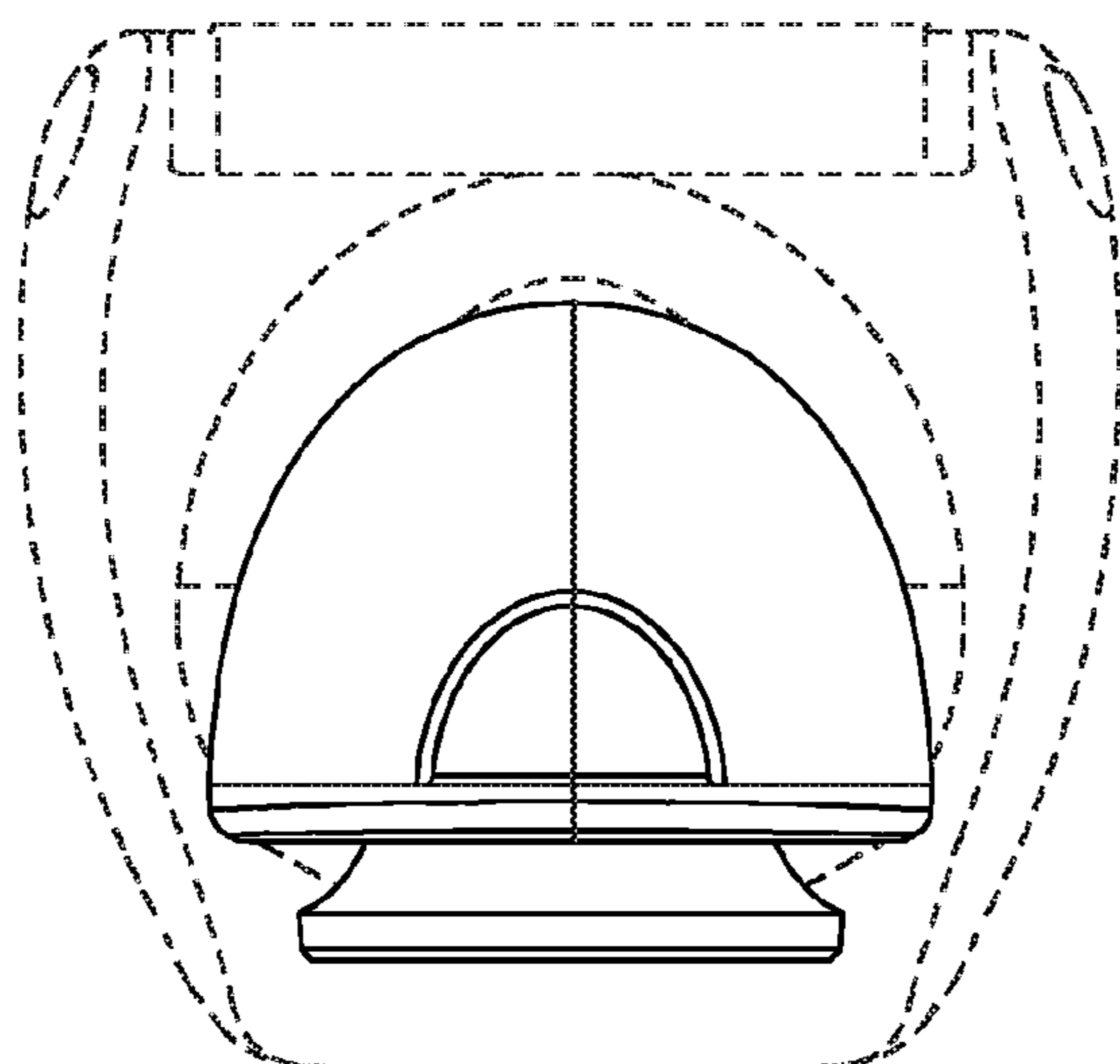


FIG. 4

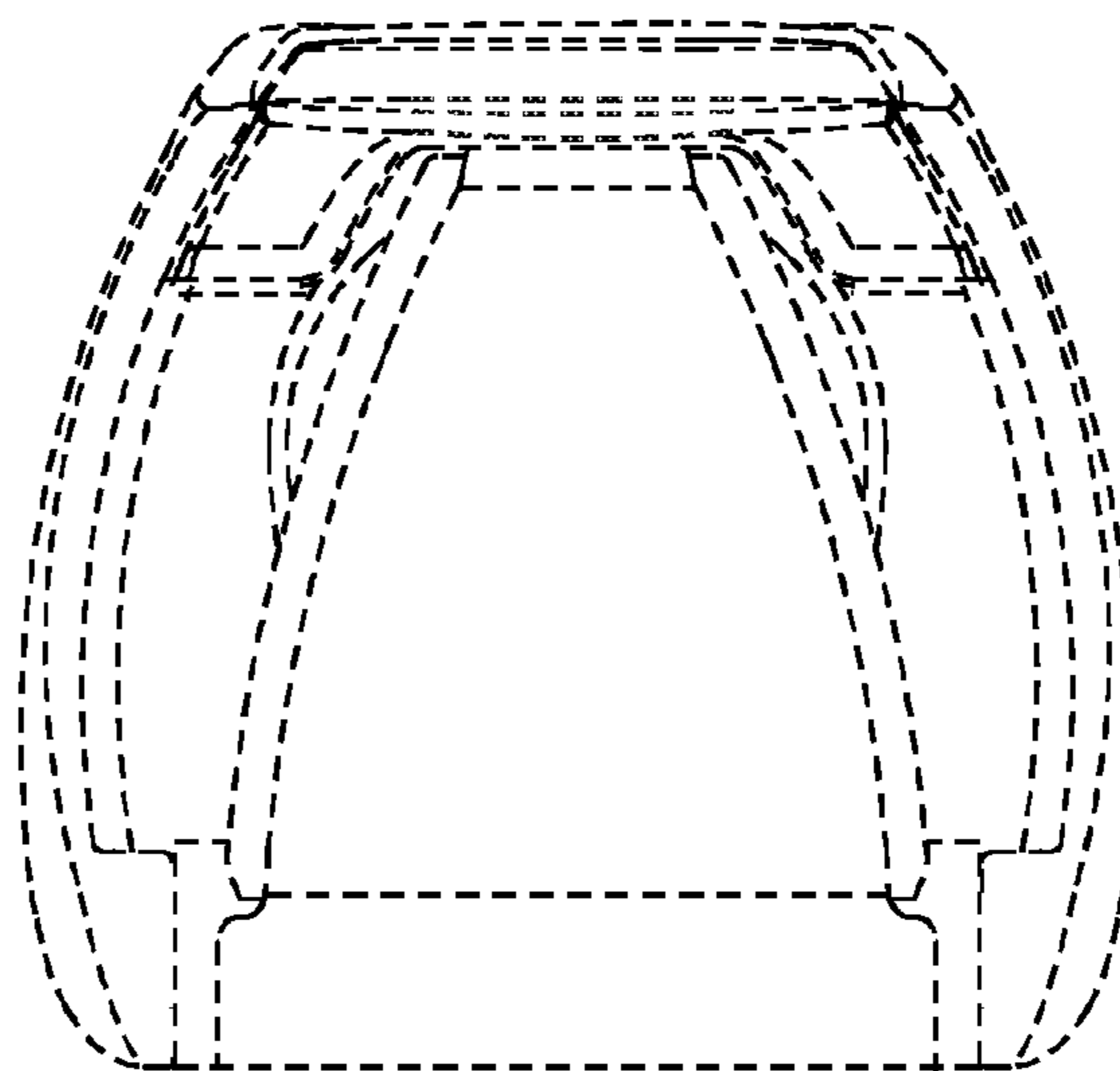


FIG. 5

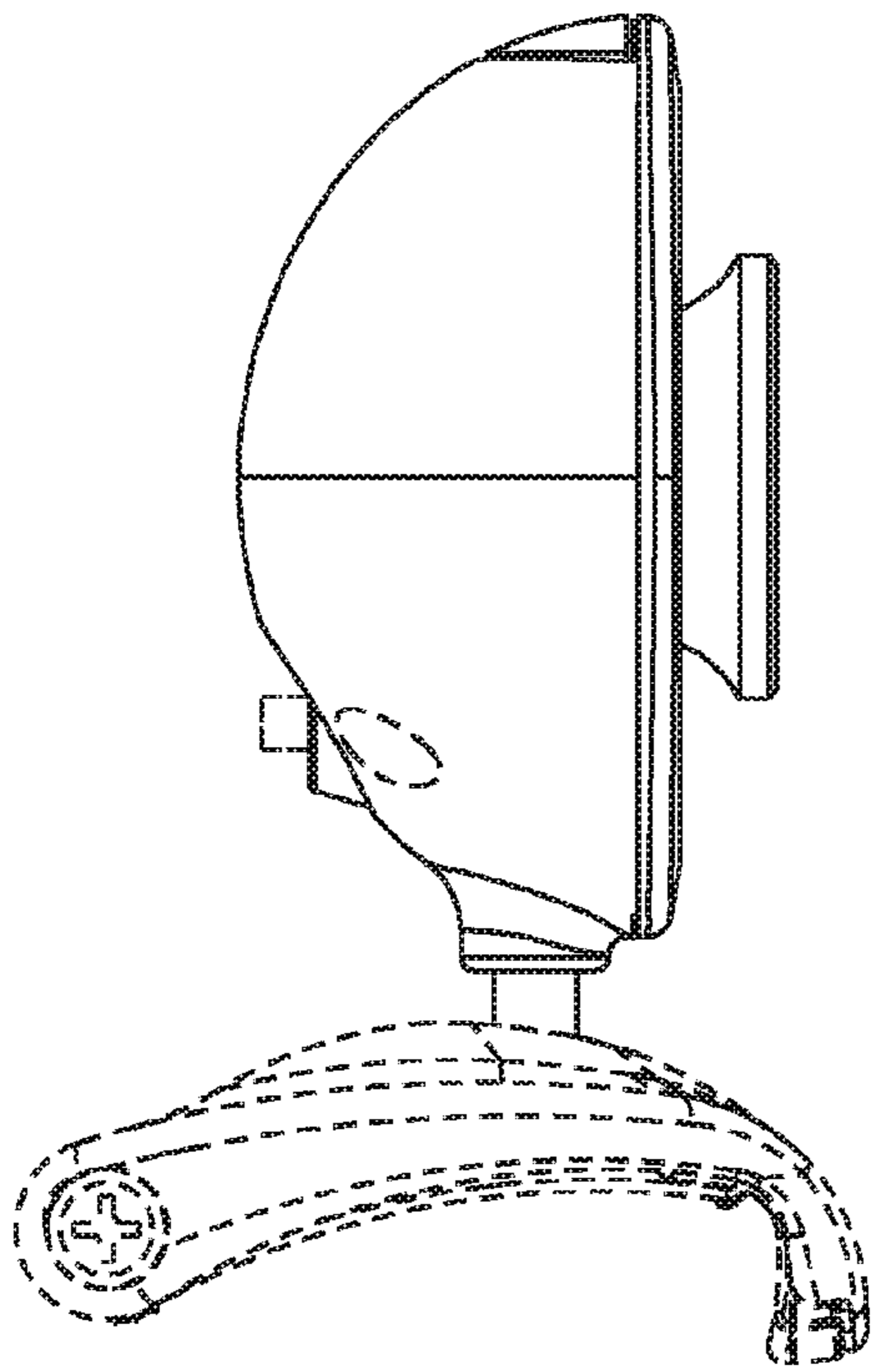


FIG. 6

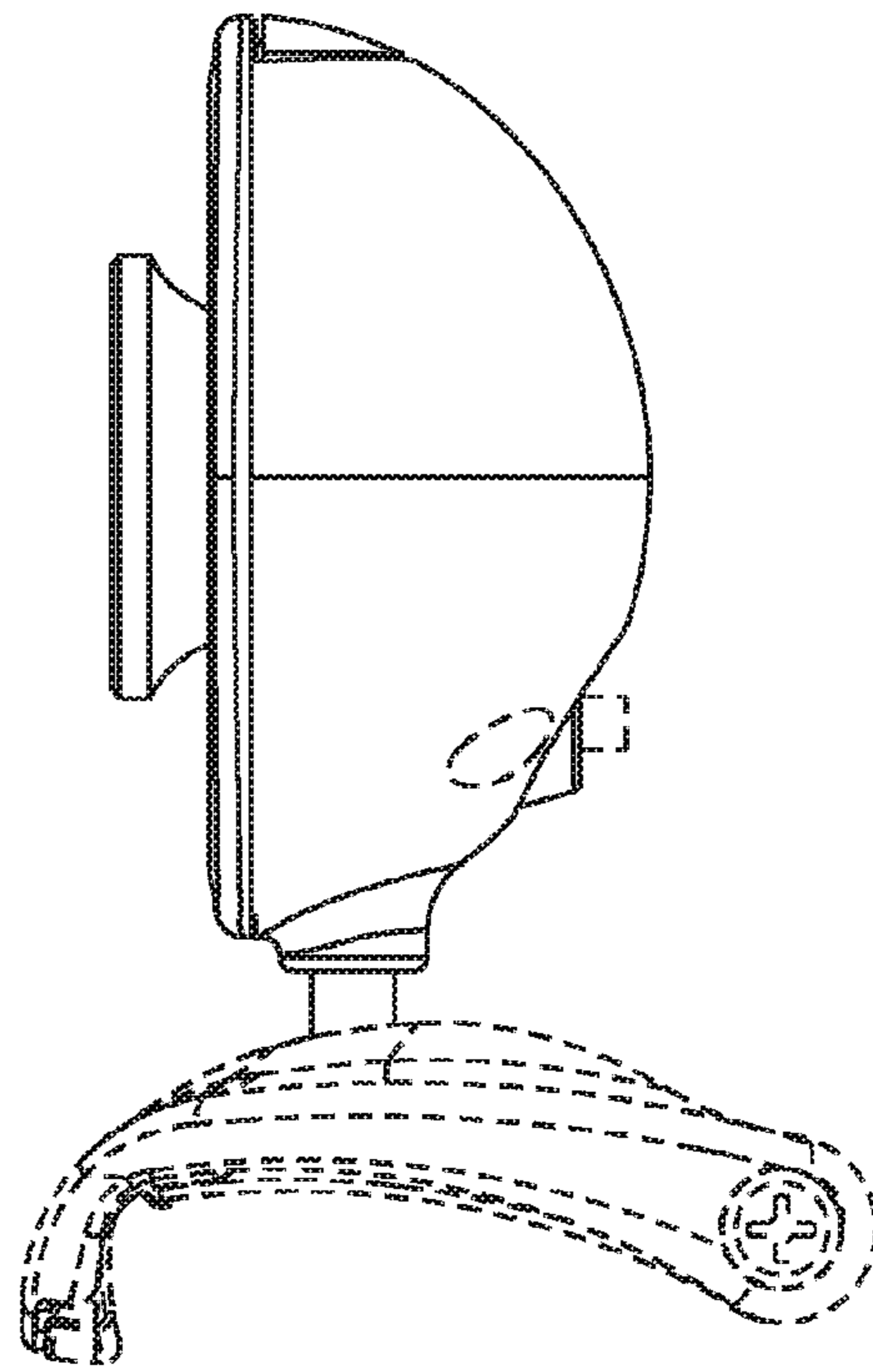


FIG. 7