



US00D577750S

(12) **United States Design Patent**
Kovach

(10) **Patent No.:** **US D577,750 S**

(45) **Date of Patent:** **** Sep. 30, 2008**

(54) **PORTABLE DRILL STAND**

(75) Inventor: **Jonathan W. Kovach**, Montrose, MI
(US)

(73) Assignee: **Hougen Manufacturing, Inc.**, Swartz
Creek, MI (US)

(**) Term: **14 Years**

(21) Appl. No.: **29/296,058**

(22) Filed: **Oct. 12, 2007**

(51) **LOC (8) Cl.** **15-09**

(52) **U.S. Cl.** **D15/132**

(58) **Field of Classification Search** D8/69;
D15/132; 408/235, 236, 710, 712, 9, 12,
408/16, 17, 75, 76, 87, 90, 129, 132, 135,
408/214 S, 234

See application file for complete search history.

(56) **References Cited**

U.S. PATENT DOCUMENTS

D140,986 S	4/1945	Schurr	
D144,141 S	3/1946	Schauer et al.	
D146,608 S	4/1947	Little	
D177,097 S	3/1956	Hudson	
3,037,402 A	6/1962	Miller et al.	
D267,011 S	11/1982	Morris	
D277,679 S	2/1985	Kitamura	
D290,463 S	6/1987	Pelfrey et al.	
5,007,776 A *	4/1991	Shoji	408/6
D325,389 S	4/1992	Lin	
D344,438 S *	2/1994	Wood	D8/70
D348,074 S	6/1994	Asano	

D447,494 S	9/2001	Miller	
D459,372 S	6/2002	Asano	
D470,867 S	2/2003	Welsh	
D470,868 S	2/2003	Welsh	
D472,251 S	3/2003	Shimada	
D560,234 S *	1/2008	Shimada	D15/132

* cited by examiner

Primary Examiner—Sandra Snapp
Assistant Examiner—Patricia Palasik
(74) *Attorney, Agent, or Firm*—Howard & Howard Attorneys,
P.C.

(57) **CLAIM**

The ornamental design for a portable drill stand, as shown and described.

DESCRIPTION

FIG. 1 is a perspective view of a portable drill stand with a drill attached to the portable drill stand shown in broken lines for the purpose of illustrating portions of the portable drill stand and forms no part of the claimed design;

FIG. 2 is another perspective view of the portable drill stand of FIG. 1;

FIG. 3 is a front view of the portable drill stand of FIG. 1;

FIG. 4 is a rear view of the portable drill stand of FIG. 1;

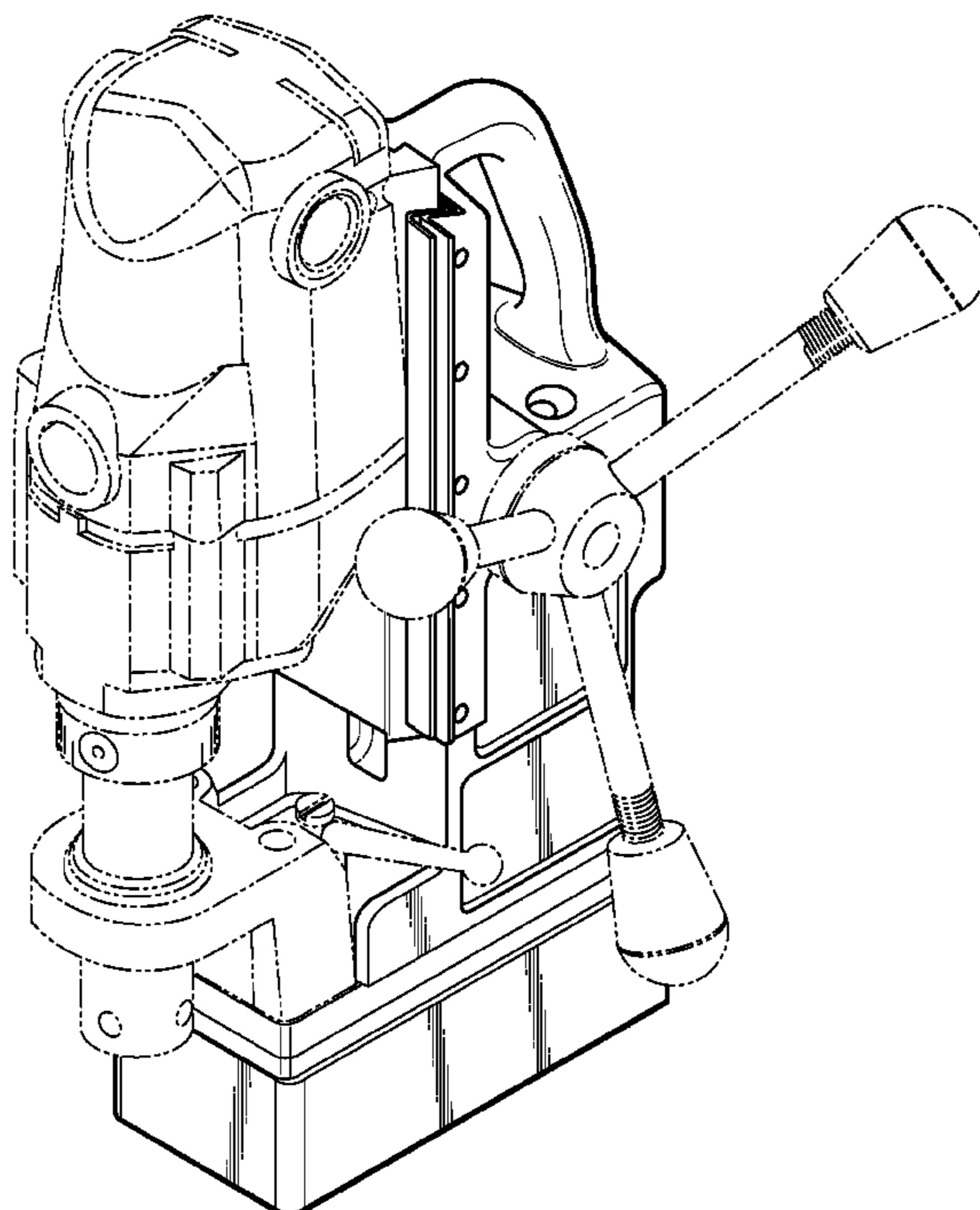
FIG. 5 is a right side view of the portable drill stand of FIG. 1;

FIG. 6 is a left side view of the portable drill stand of FIG. 1;

FIG. 7 is a top view of the portable drill stand of FIG. 1; and,

FIG. 8 is a bottom view of the portable drill stand of FIG. 1.

1 Claim, 7 Drawing Sheets



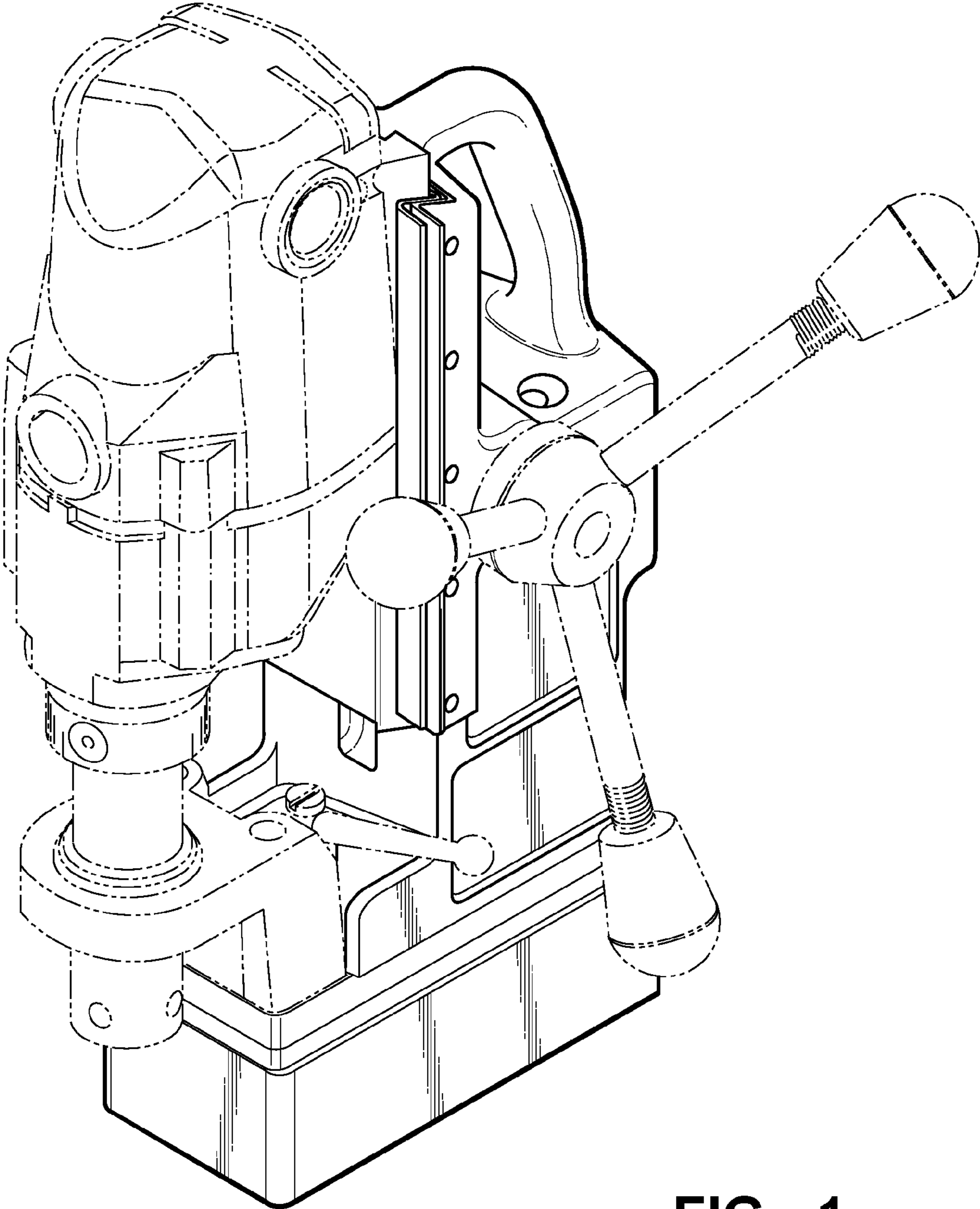


FIG - 1

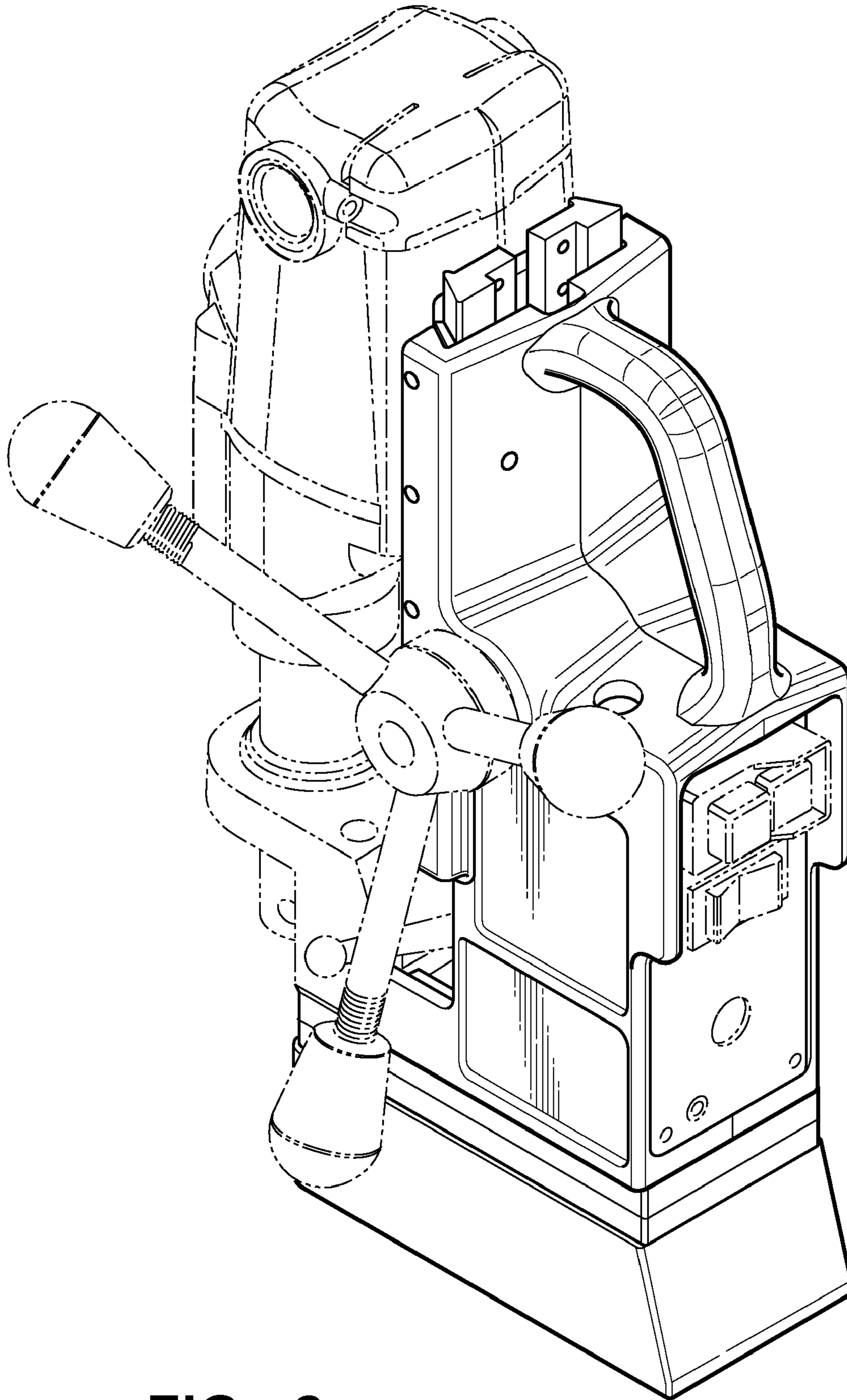


FIG - 2

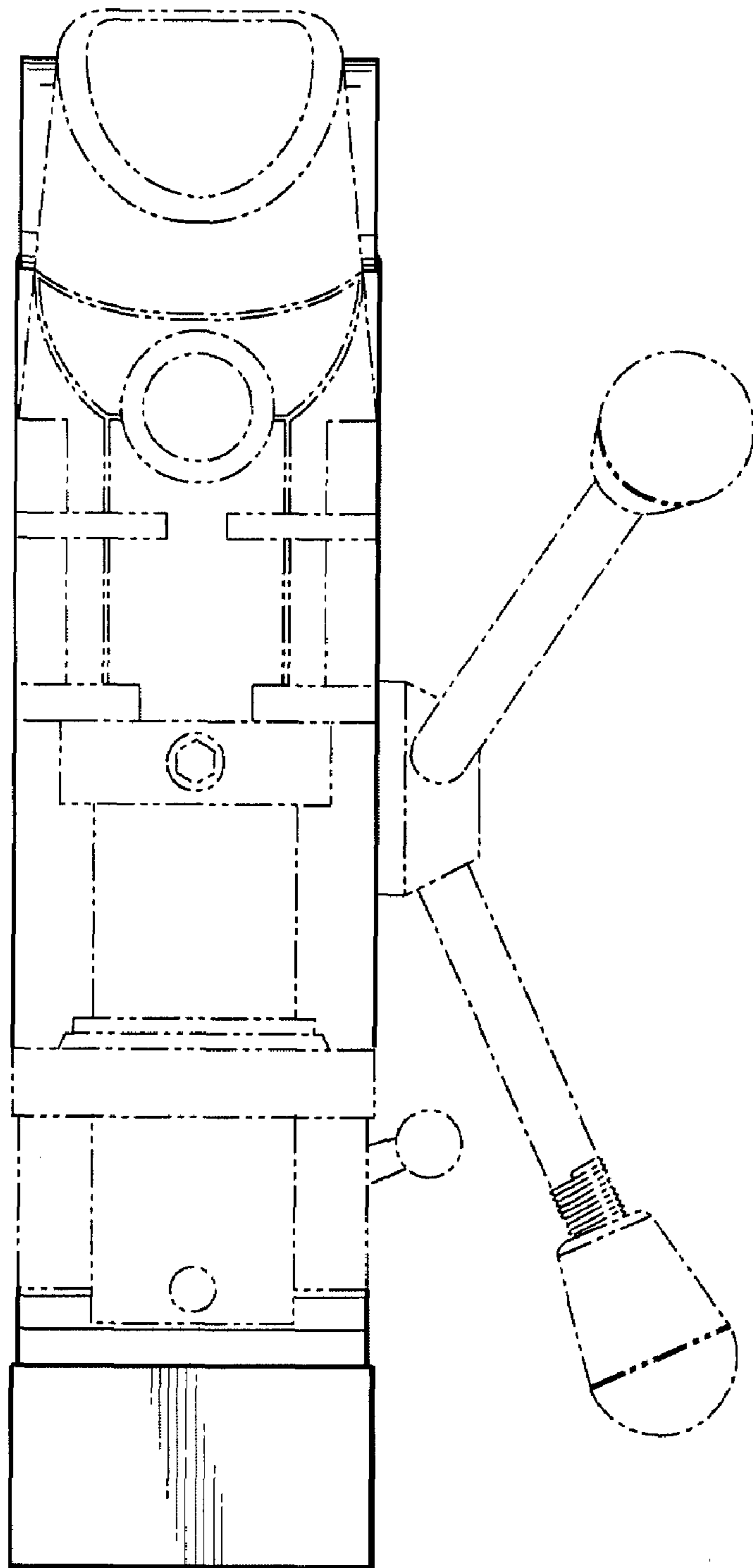


FIG - 3

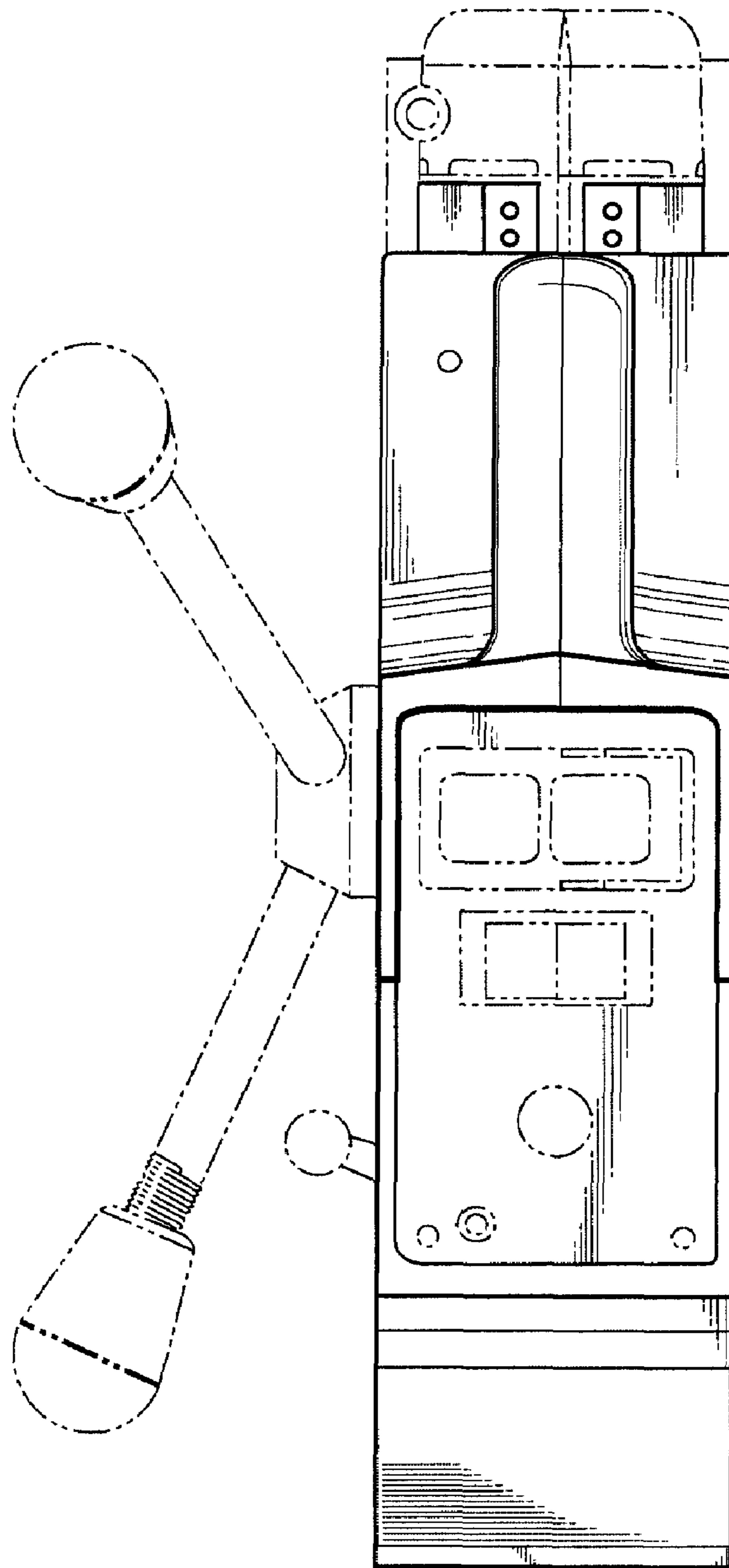


FIG - 4

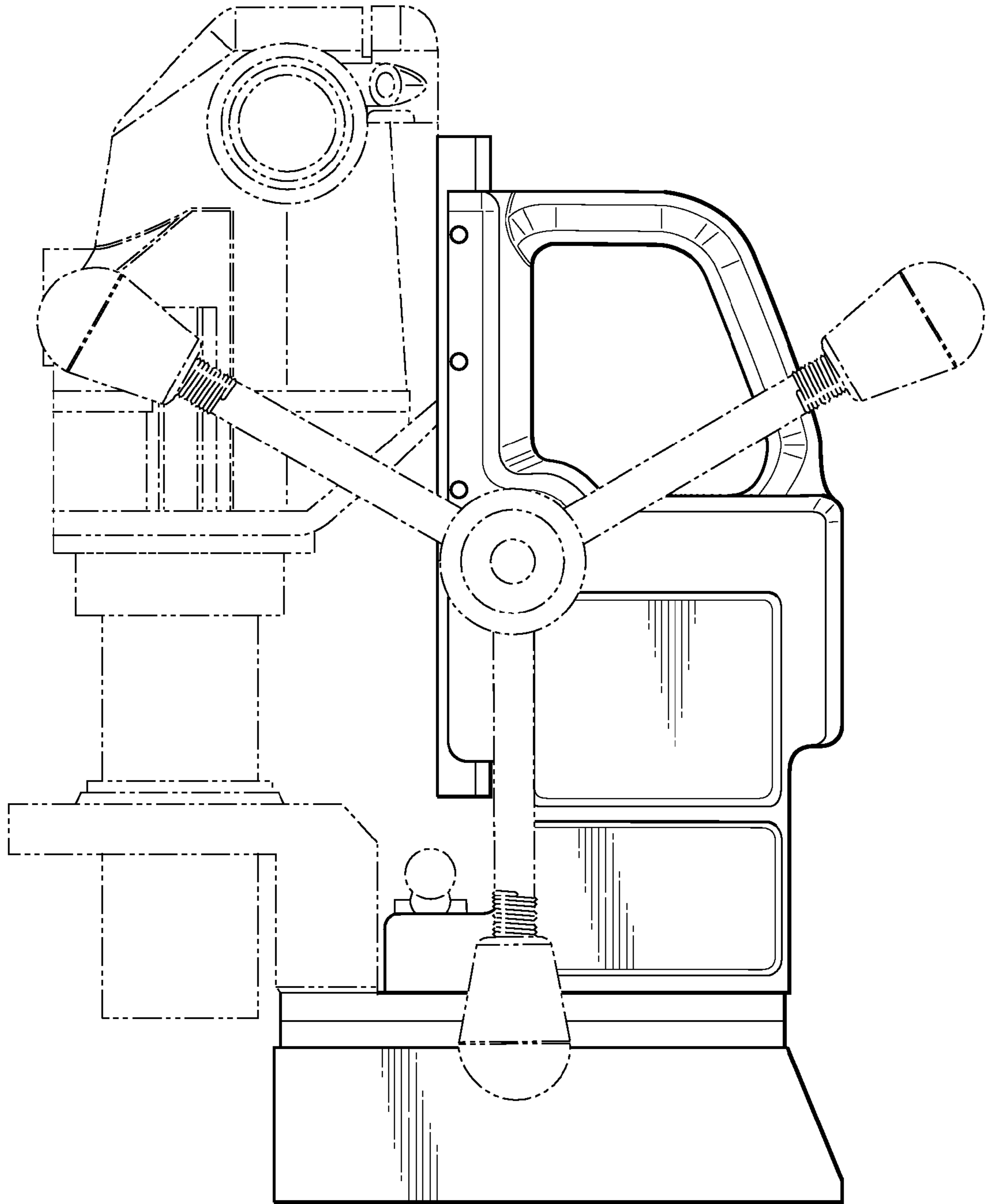


FIG - 5

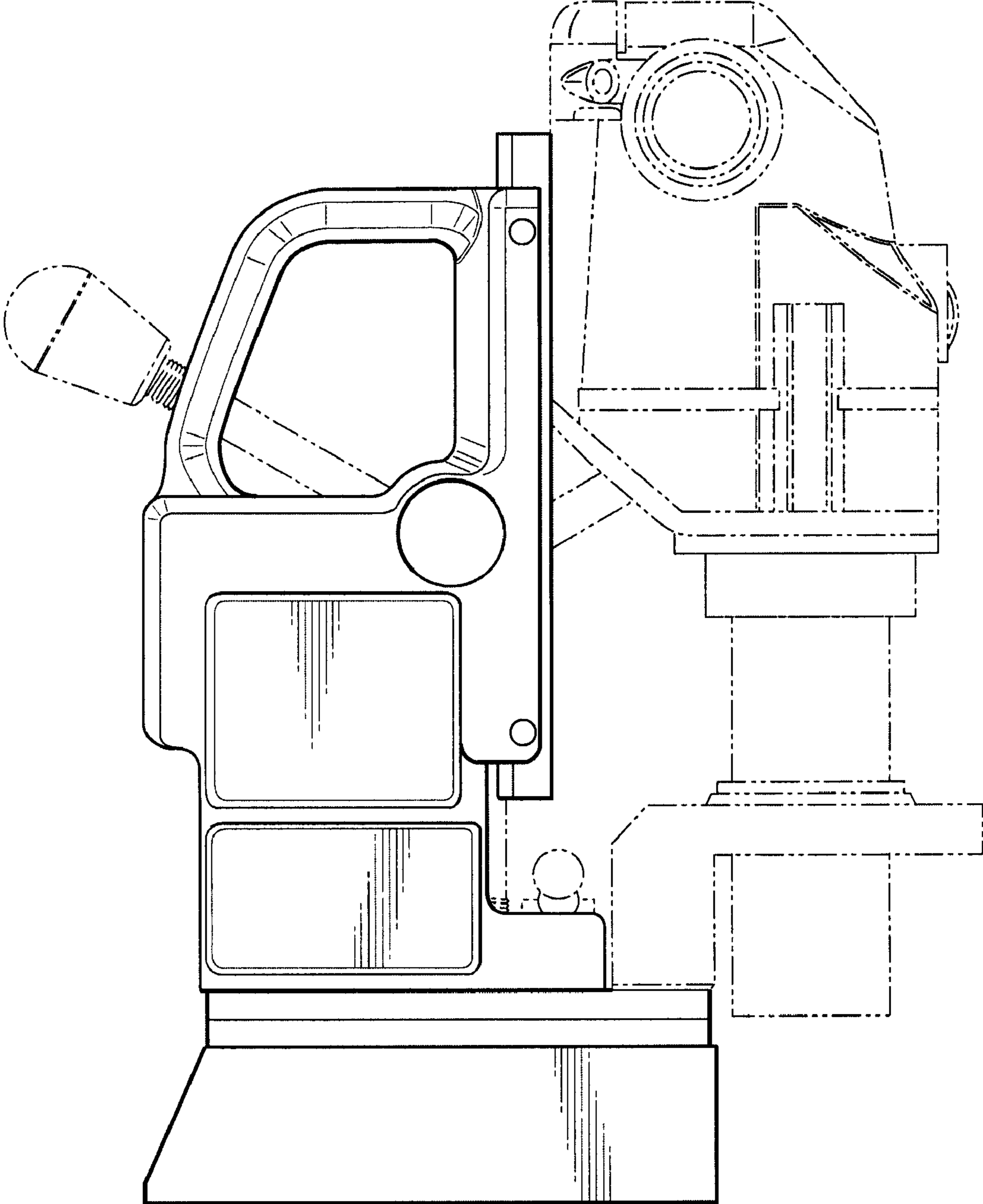


FIG - 6

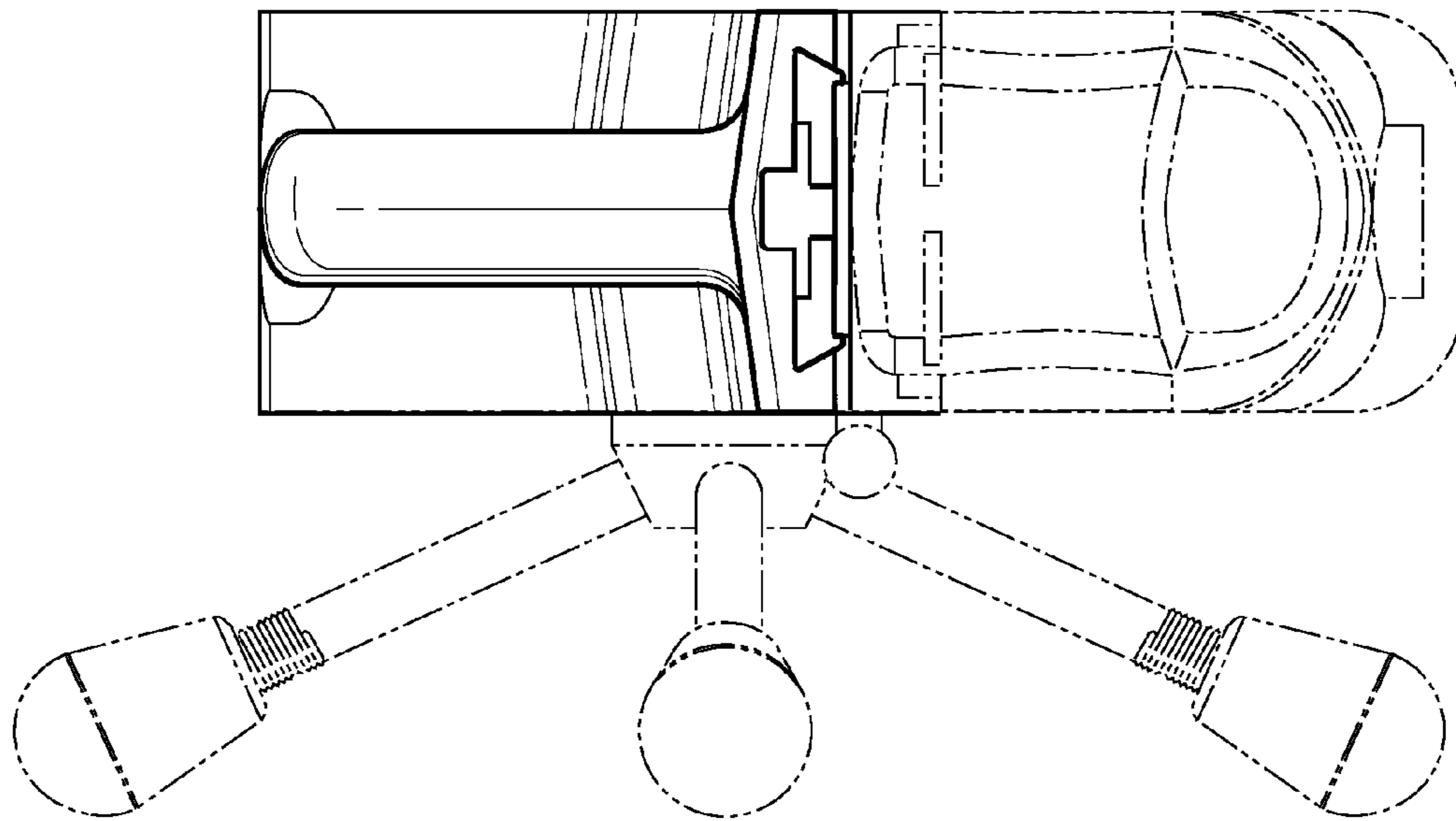


FIG - 7

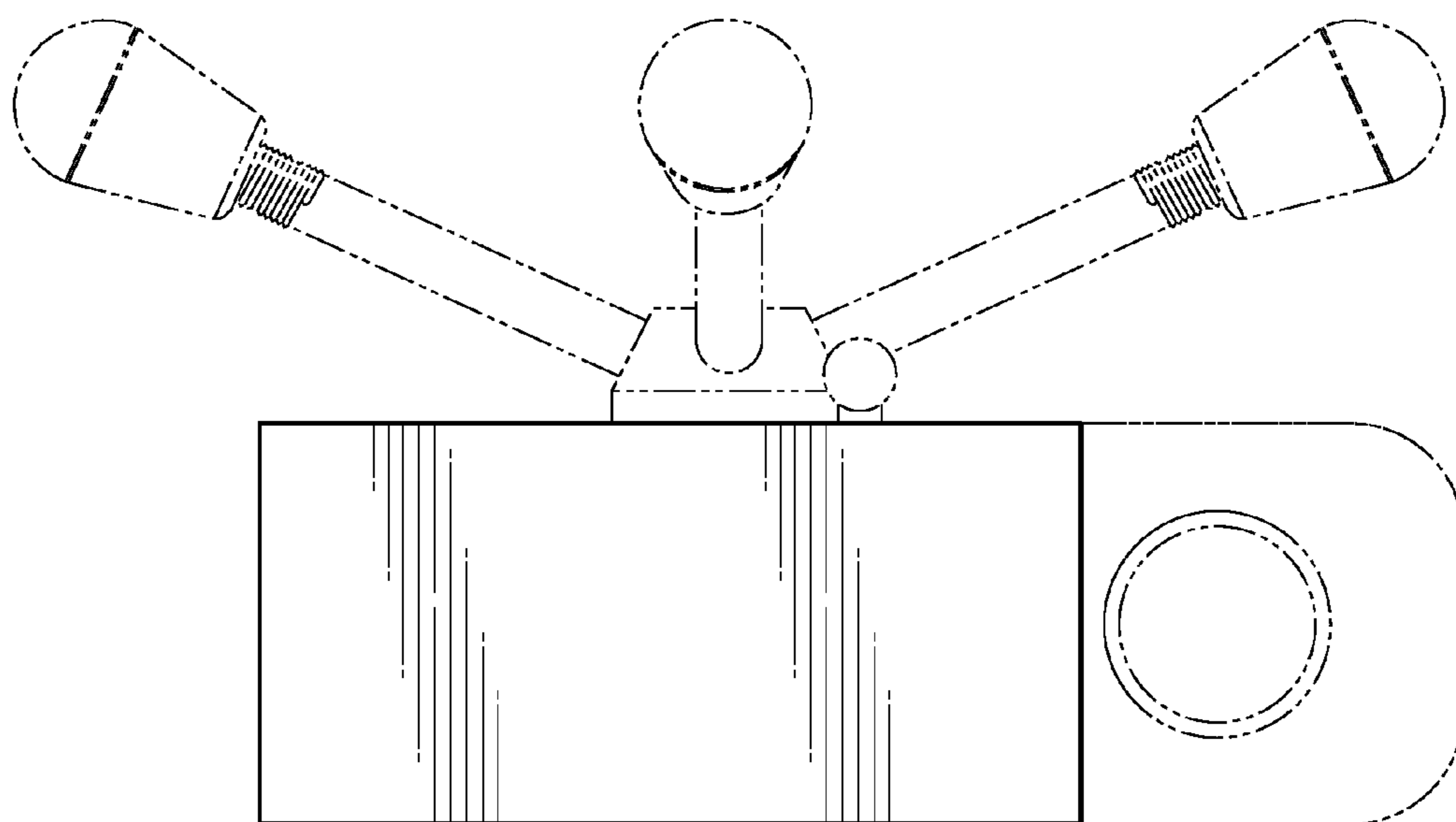


FIG - 8