

US00D577749S

(12) **United States Design Patent**
Balolia

(10) **Patent No.:** **US D577,749 S**

(45) **Date of Patent:** **** Sep. 30, 2008**

(54) **PLANER/MOULDER**

(75) Inventor: **Shiraz Balolia**, Bellingham, WA (US)

(73) Assignee: **Woodstock International, Inc.**,
Bellingham, WA (US)

(**) Term: **14 Years**

(21) Appl. No.: **29/317,746**

(22) Filed: **May 6, 2008**

(51) **LOC (8) Cl.** **15-09**

(52) **U.S. Cl.** **D15/127**

(58) **Field of Classification Search** D8/62;
D15/124, 125, 126, 127, 129, 135; 79/8;
180/247-250; 144/36, 112.1, 114 R, 114.1,
144/116, 117 R, 124, 125, 126, 127 A, 128,
144/129, 130, 144.1, 154.5, 218, 225, 228,
144/230, 242.5, 243, 245.1, 246.1, 250.2,
144/252.1, 253.2, 253.8; 301/126, 131, 132,
301/135; 409/175, 181; 451/420; 488/115 R,
488/241 S

See application file for complete search history.

(56) **References Cited**

U.S. PATENT DOCUMENTS

D267,406 S *	12/1982	Glore	D15/127
D276,616 S *	12/1984	Legler et al.	D15/127
D285,448 S *	9/1986	Hashii	D15/127
D285,929 S *	9/1986	Cheng	D15/124
D286,536 S *	11/1986	Beck et al.	D15/127
D299,146 S *	12/1988	Pollak et al.	D15/127
D305,606 S *	1/1990	Cavedo	D8/61
4,913,204 A *	4/1990	Moores et al.	144/136.95
D307,592 S *	5/1990	Monobe et al.	D15/127
D322,258 S *	12/1991	Monobe	D15/127
D326,463 S *	5/1992	Jacks	D15/125
D326,667 S *	6/1992	Juang	D15/127

5,143,128 A *	9/1992	Chen	144/117.1
D370,018 S *	5/1996	Jedlicka et al.	D15/127
D471,215 S *	3/2003	Wang	D15/127
D496,946 S *	10/2004	Chuang	D15/124
D509,117 S *	9/2005	Tillman et al.	D8/62
D546,845 S *	7/2007	Netzler	D15/124
D567,265 S *	4/2008	Leasure et al.	D15/125
2005/0194063 A1 *	9/2005	Bettacchini	144/117.1
2007/0079901 A1 *	4/2007	Chuang	144/253.8
2007/0245870 A1 *	10/2007	Chuang	83/471.3
2008/0063485 A1 *	3/2008	Chuang	409/338

* cited by examiner

Primary Examiner—Sandra Snapp
Assistant Examiner—Patricia Palasik
(74) *Attorney, Agent, or Firm*—Welsh & Katz, Ltd.

(57) **CLAIM**

The ornamental design for a planer/moulder, as shown and described.

DESCRIPTION

FIG. 1 is a perspective view of a planer/moulder.
FIG. 2 is a front view of the planer/moulder shown in FIG. 1.
FIG. 3 is a first side view of the planer/moulder shown in FIG. 1.
FIG. 4 is a top view of the planer/moulder shown in FIG. 1.
FIG. 5 is a back view of the planer/moulder shown in FIG. 1.
FIG. 6 is a second side view of the planer/moulder shown in FIG. 1; and,
FIG. 7 is a bottom view of the planer/moulder shown in FIG. 1.
The broken line showing of the planer/moulder is included for the purpose of illustrating portions of the planer/moulder and forms no part of the claimed design.

1 Claim, 2 Drawing Sheets

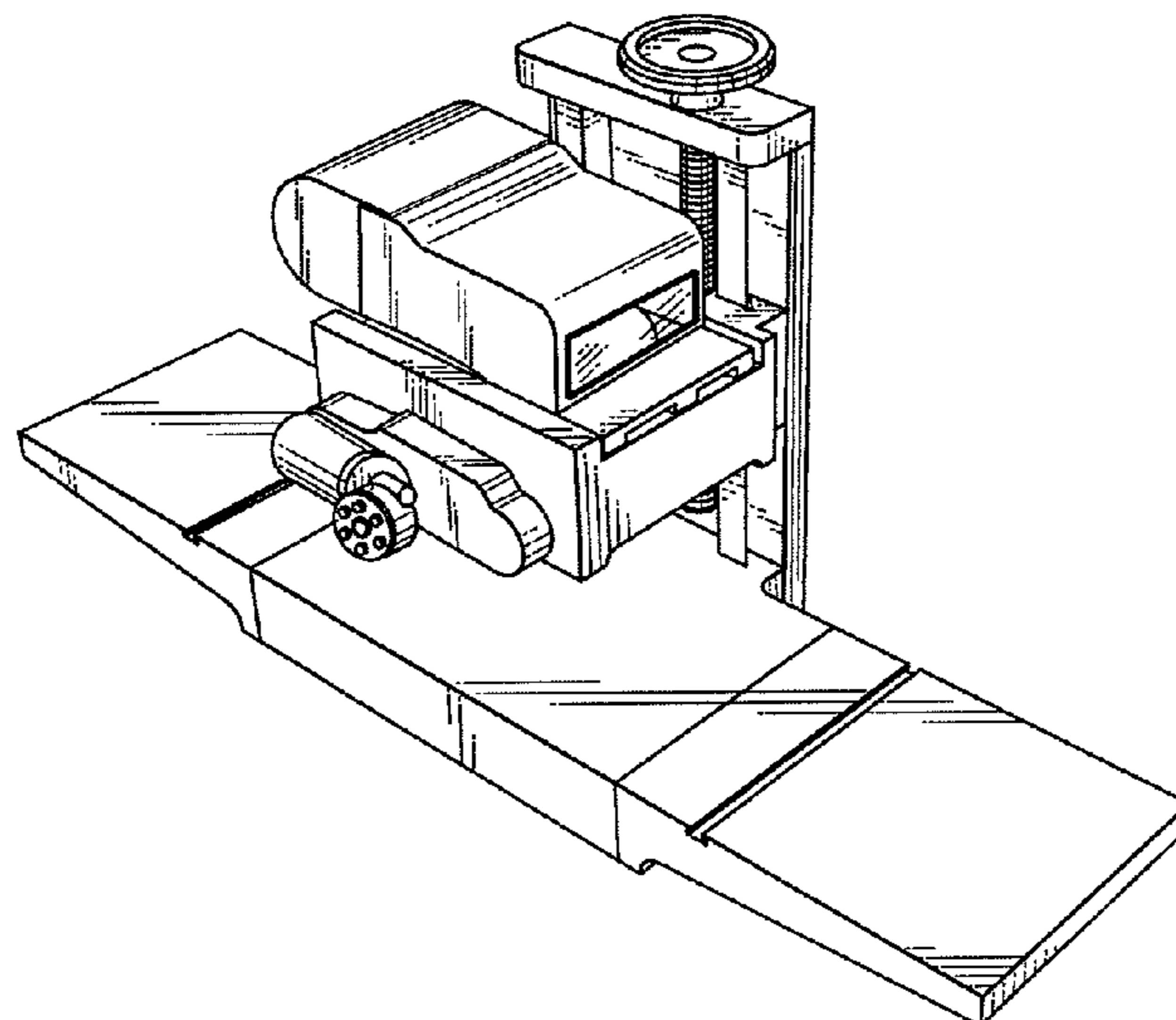


Fig. 1

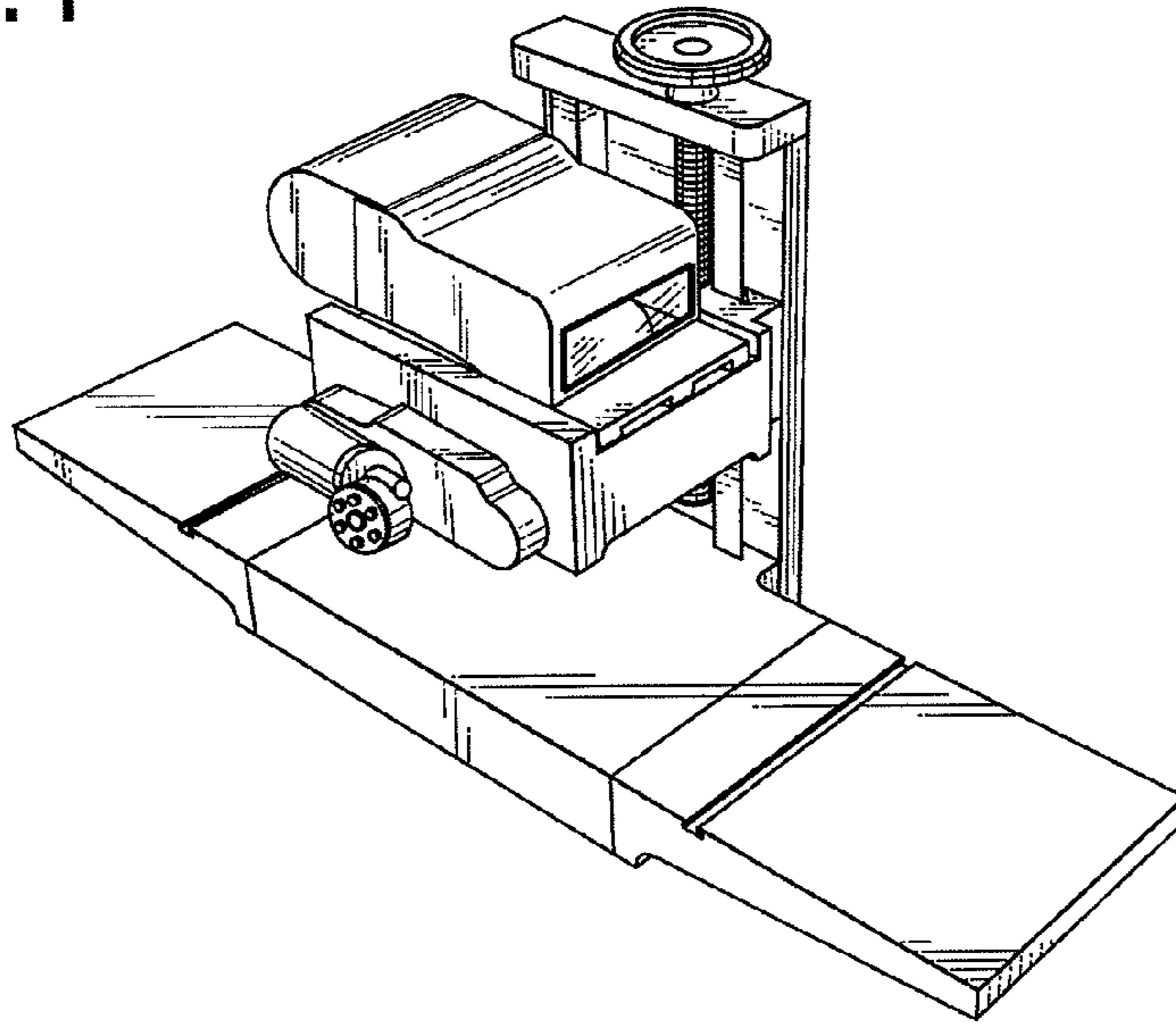


Fig. 4

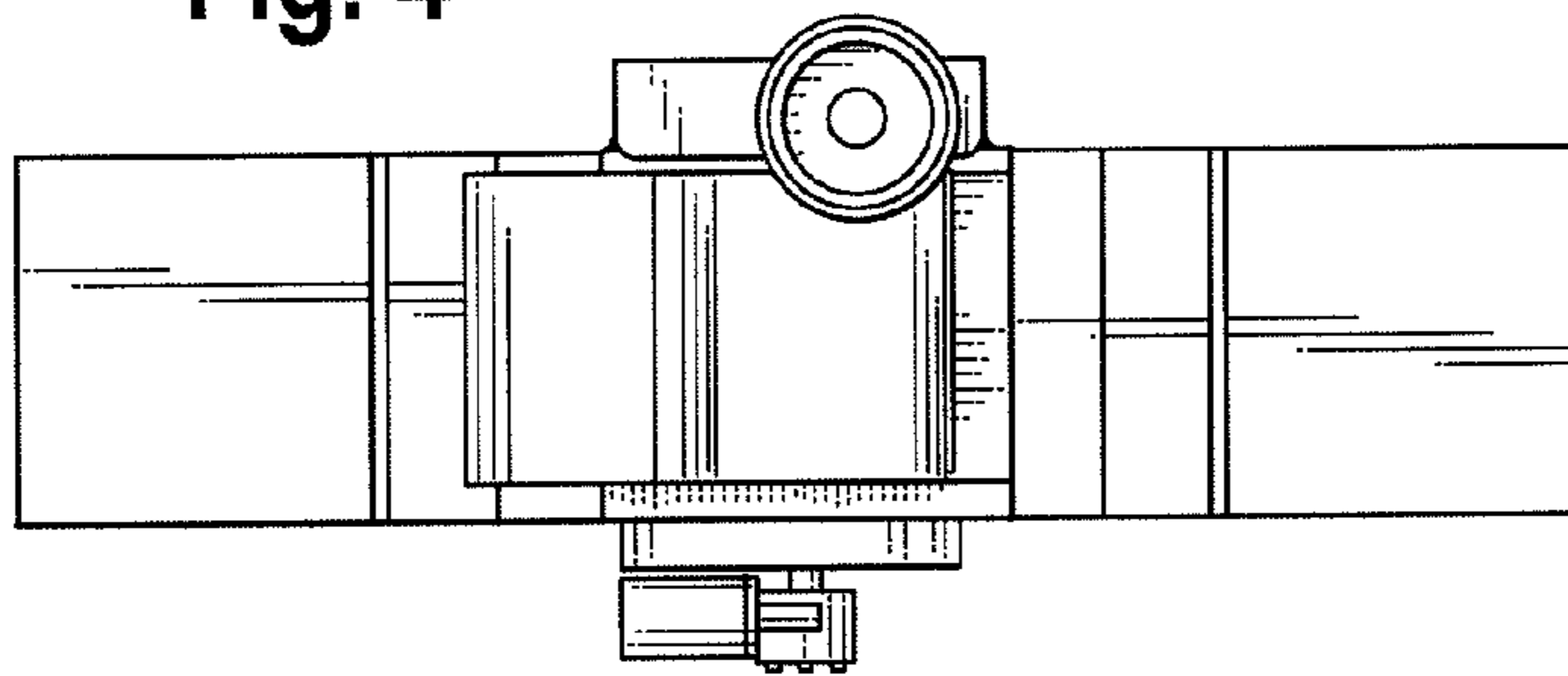


Fig. 2

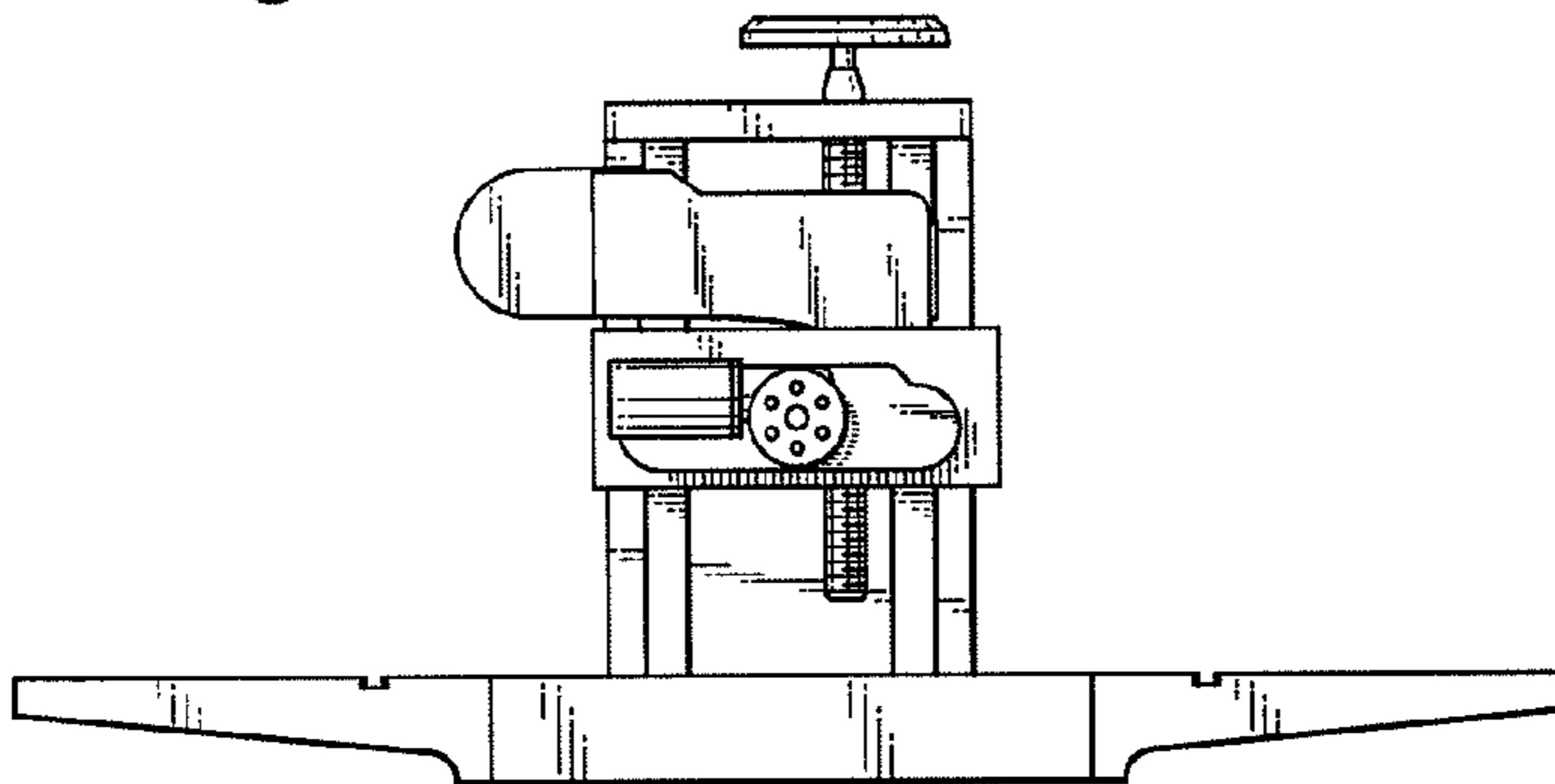


Fig. 3

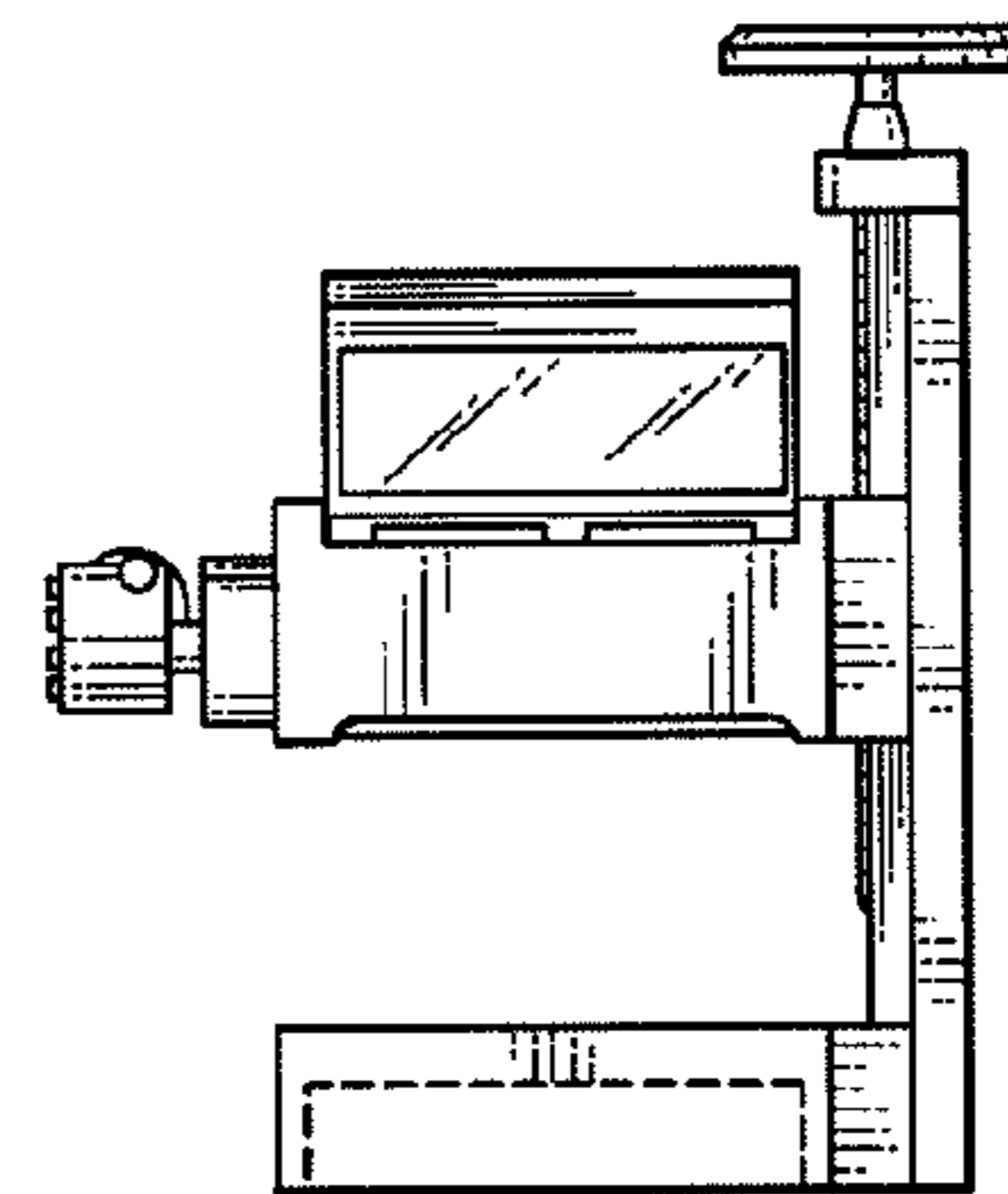


Fig. 5

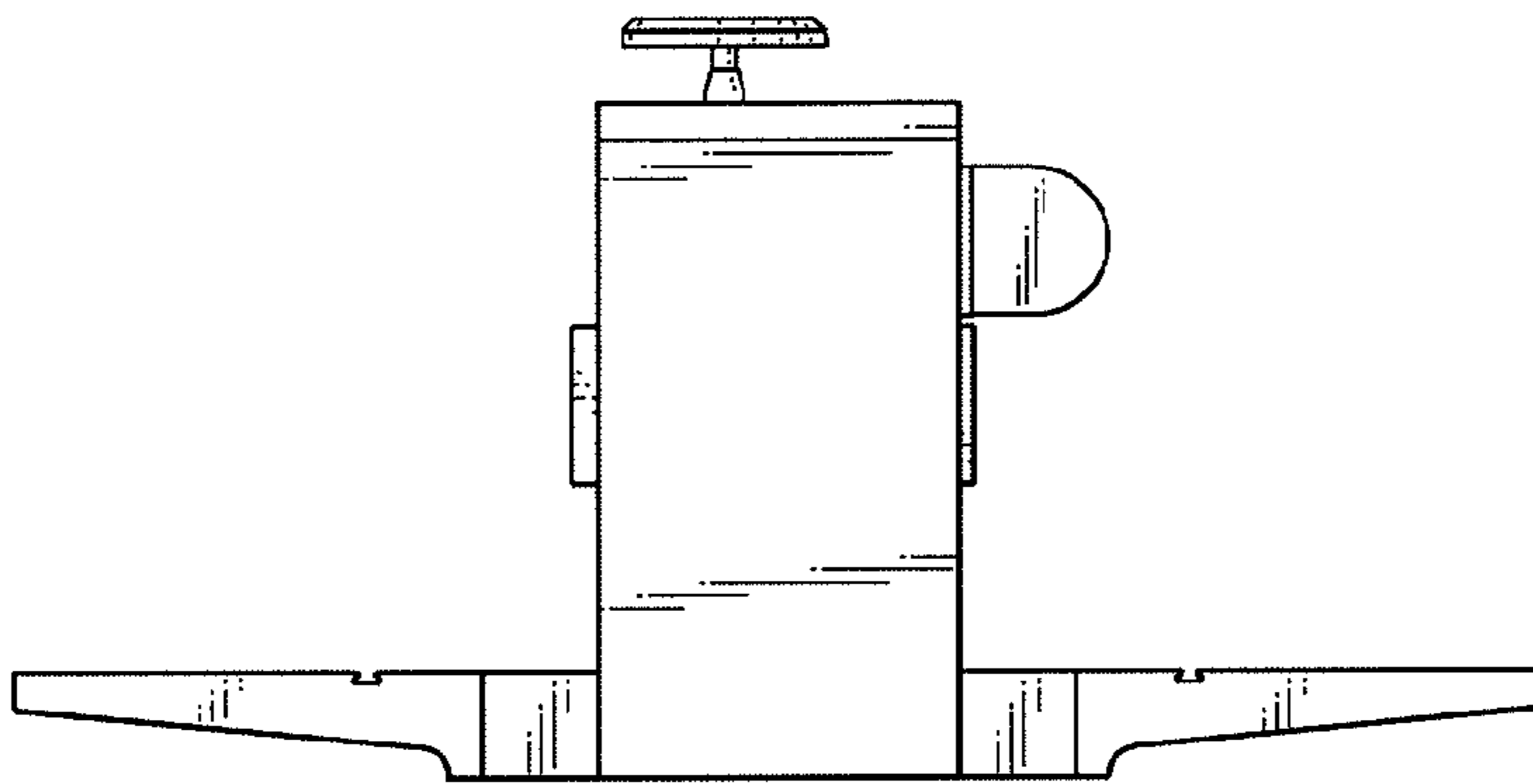


Fig. 6

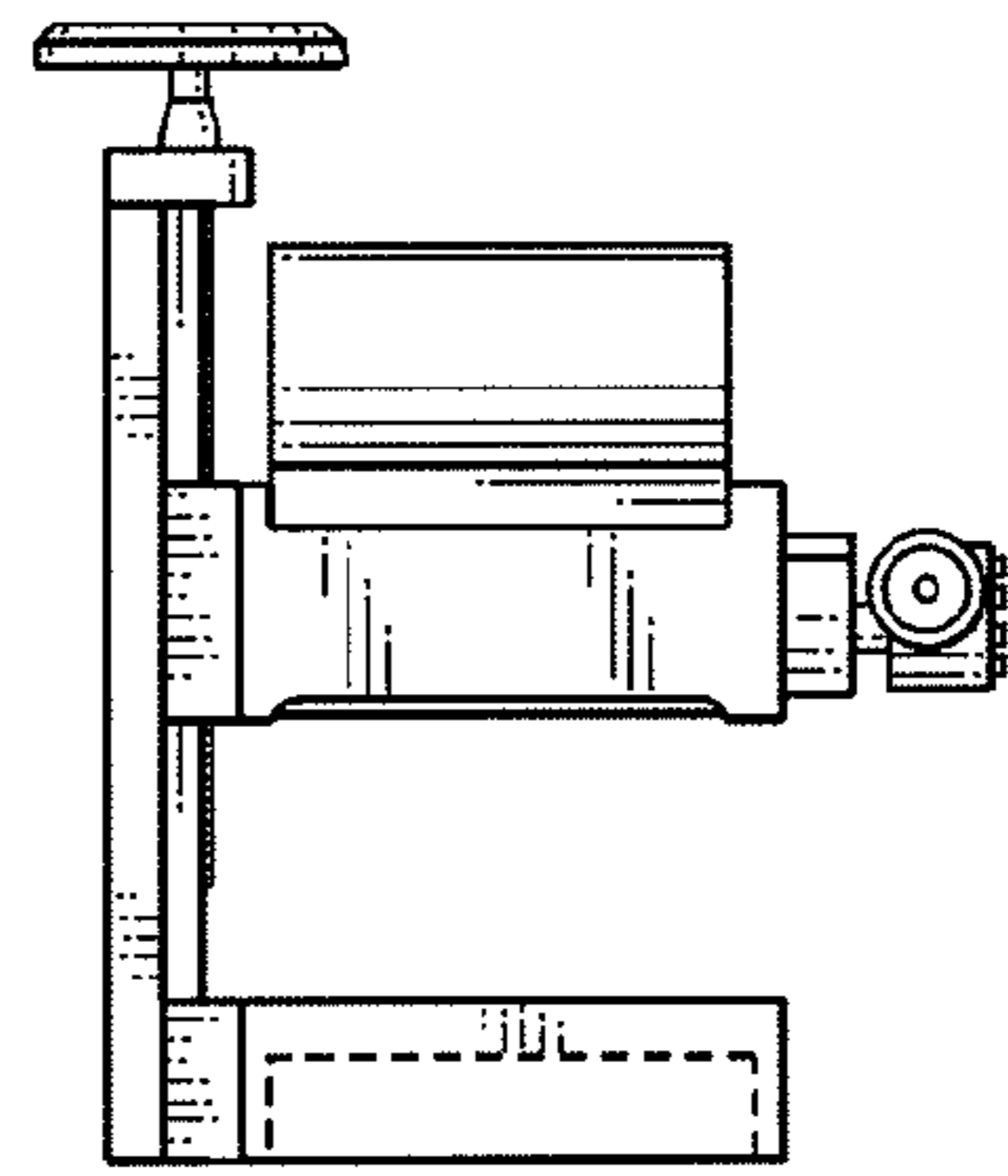


Fig. 7

