



US00D577748S

(12) **United States Design Patent**
Tingen et al.

(10) **Patent No.:** **US D577,748 S**

(45) **Date of Patent:** **** Sep. 30, 2008**

(54) **BLOCKER FOR EYEGGLASS LENSES**

D381,343 S * 7/1997 Elie D15/124

(75) Inventors: **Tory L. Tingen**, Gordonsville, VA (US);
Sally C. Kocotas, Charlottesville, VA
(US); **Daryll Scott Evans**, Winchester,
VA (US); **Bruce Seymour Ferris**,
Richmond, VA (US); **Sean Derek**
Anderson, Powhatan, VA (US)

* cited by examiner

Primary Examiner—Antoine D Davis

(74) *Attorney, Agent, or Firm*—Berenato, White & Stavish

(73) Assignee: **National Optronics, Inc.**,
Charlottesville, VA (US)

(57) **CLAIM**

The ornamental design for a blocker for eyeglass lenses, as shown and described.

(**) Term: **14 Years**

(21) Appl. No.: **29/287,926**

(22) Filed: **Oct. 2, 2007**

(51) **LOC (8) Cl.** **15-09**

(52) **U.S. Cl.** **D15/125**

(58) **Field of Classification Search** D10/46;
D15/124–125; 33/286; 356/399; 451/42,
451/384, 390

See application file for complete search history.

(56) **References Cited**

U.S. PATENT DOCUMENTS

D326,664 S * 6/1992 Kennedy et al. D15/125

DESCRIPTION

FIG. 1 is a rear elevational view of our design;

FIG. 2 is a rear perspective view;

FIG. 3 is a front elevational view;

FIG. 4 is a front perspective view;

FIG. 5 is a left side elevational view;

FIG. 6 is a right side elevational view; and,

FIG. 7 is a top plan view.

1 Claim, 7 Drawing Sheets

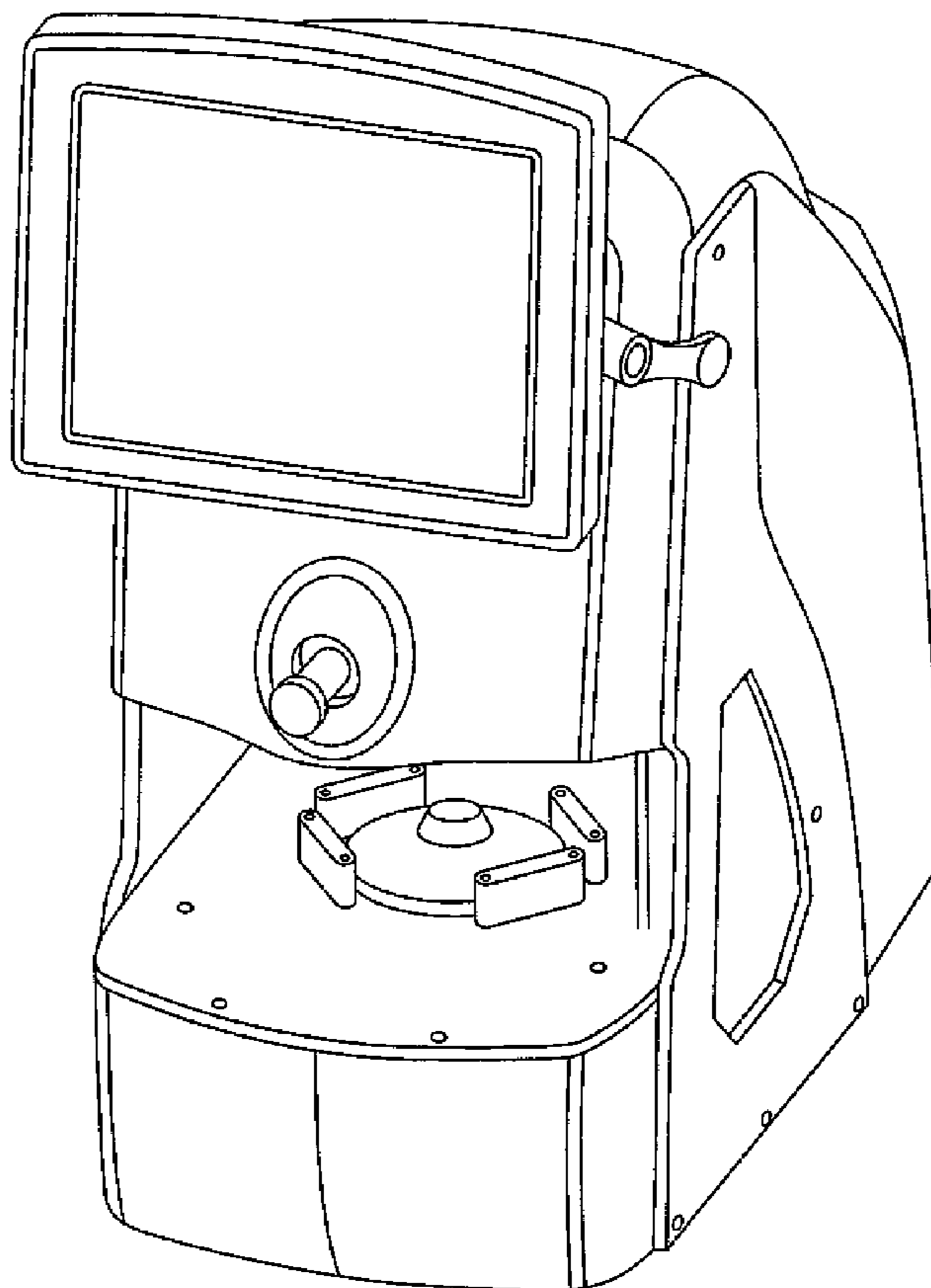


Fig. 1

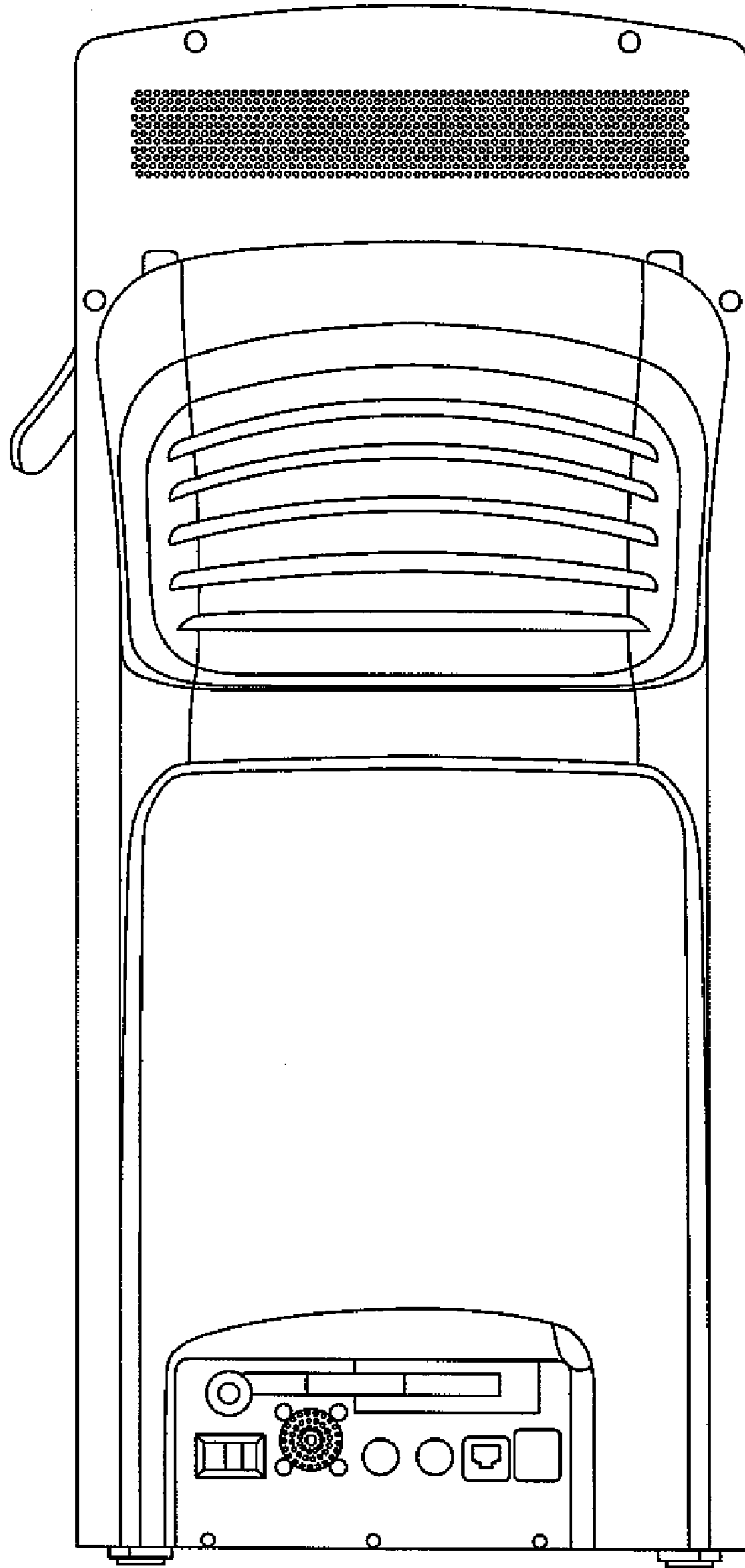


Fig. 2

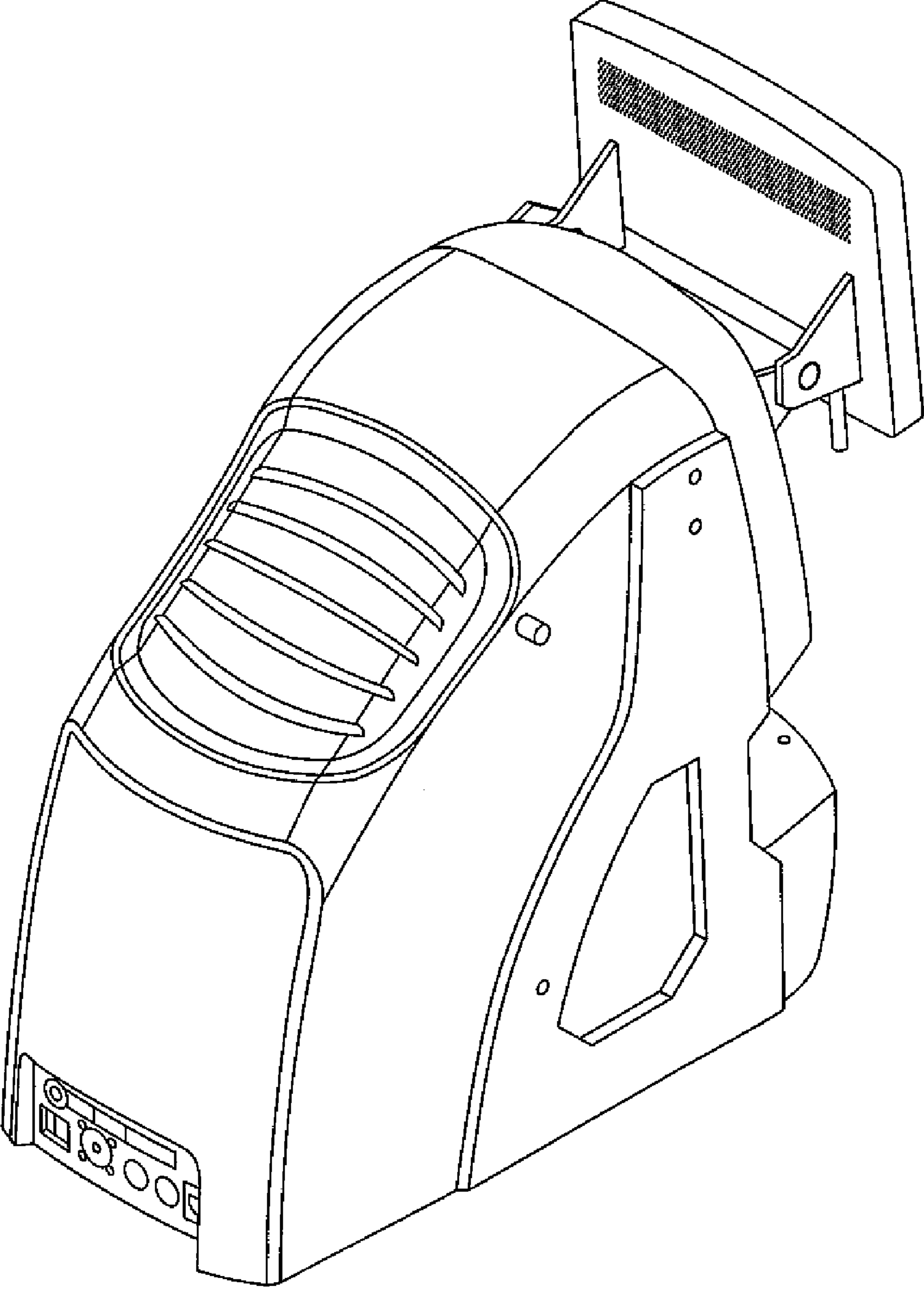


Fig. 3

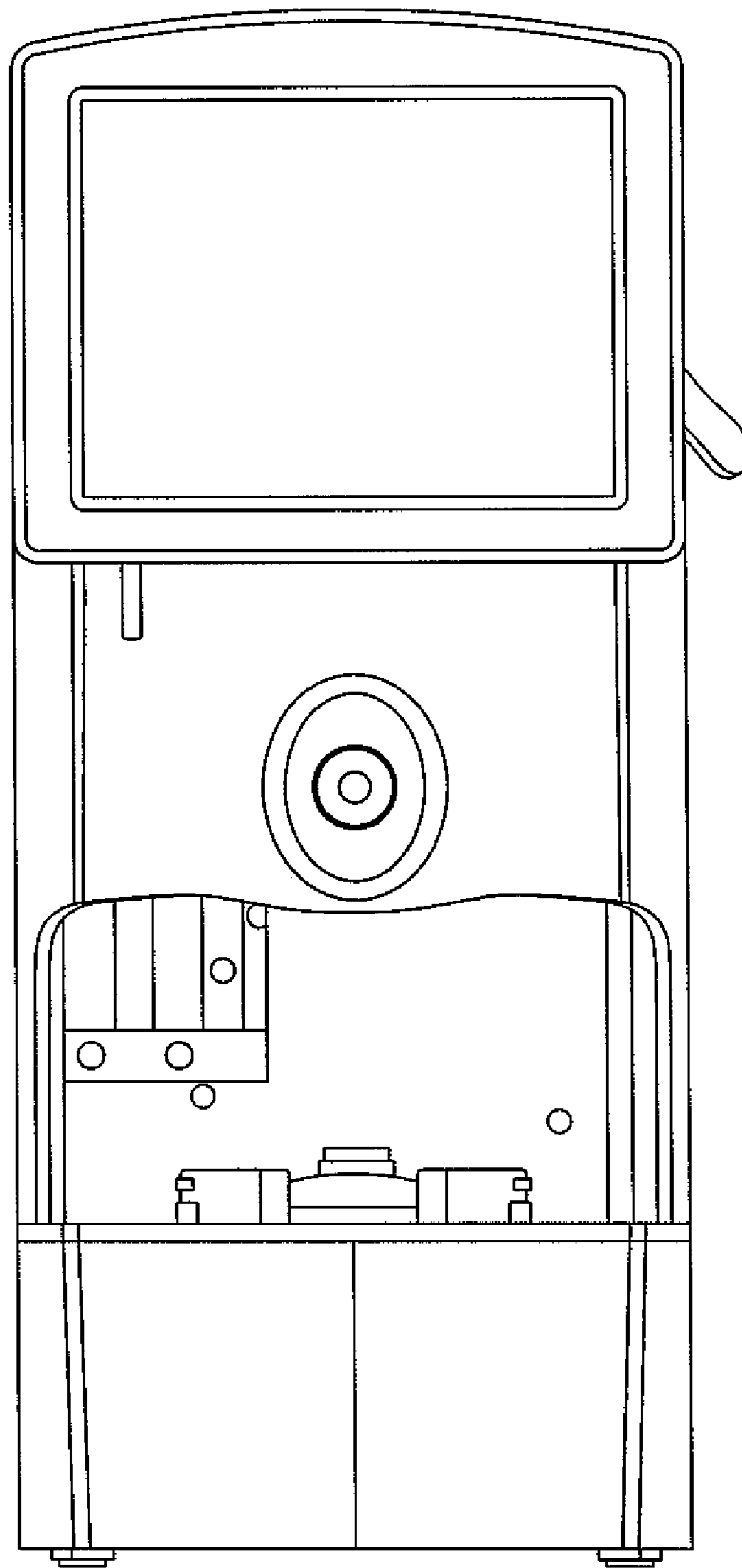


Fig. 4

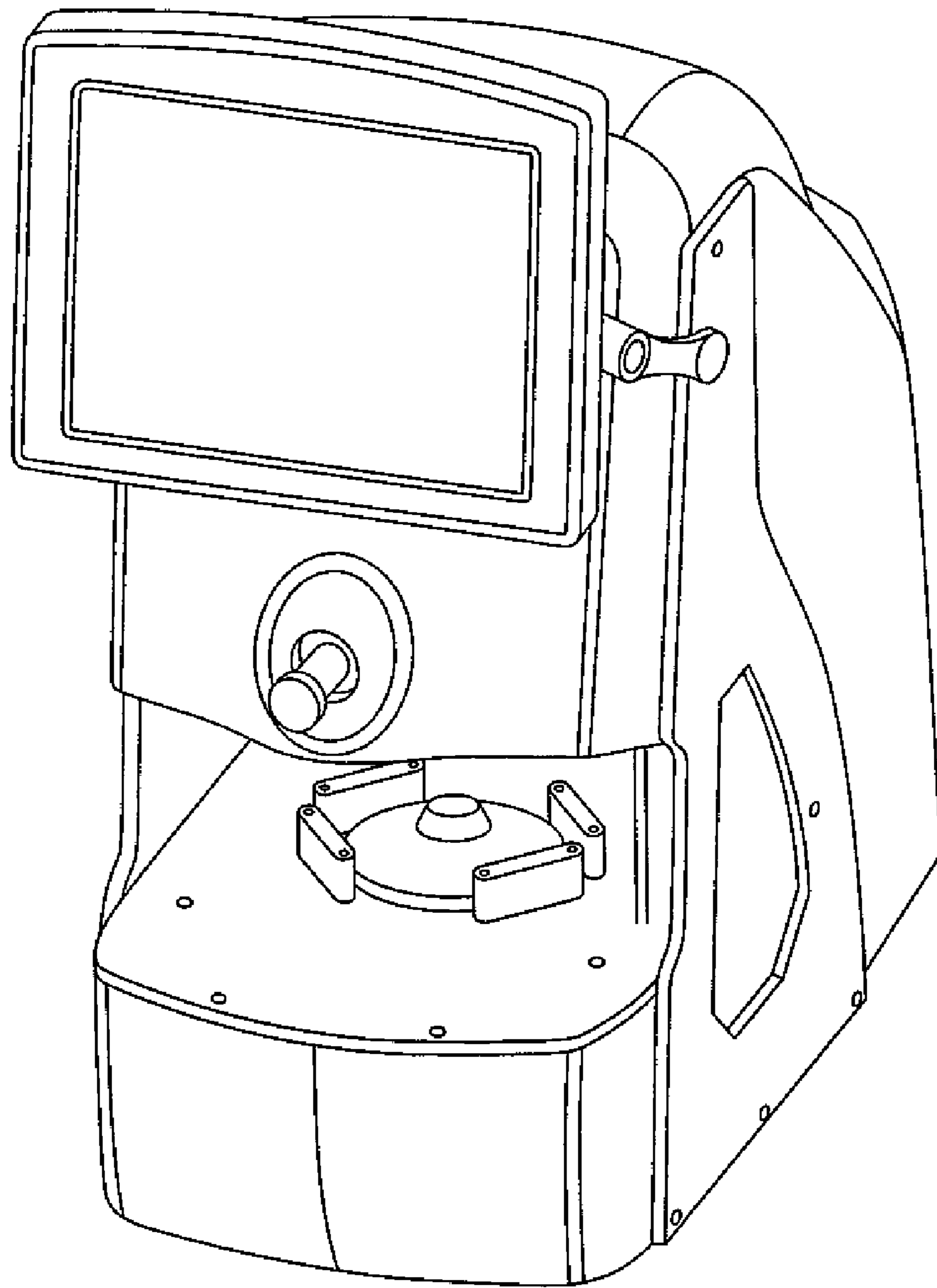


Fig. 5

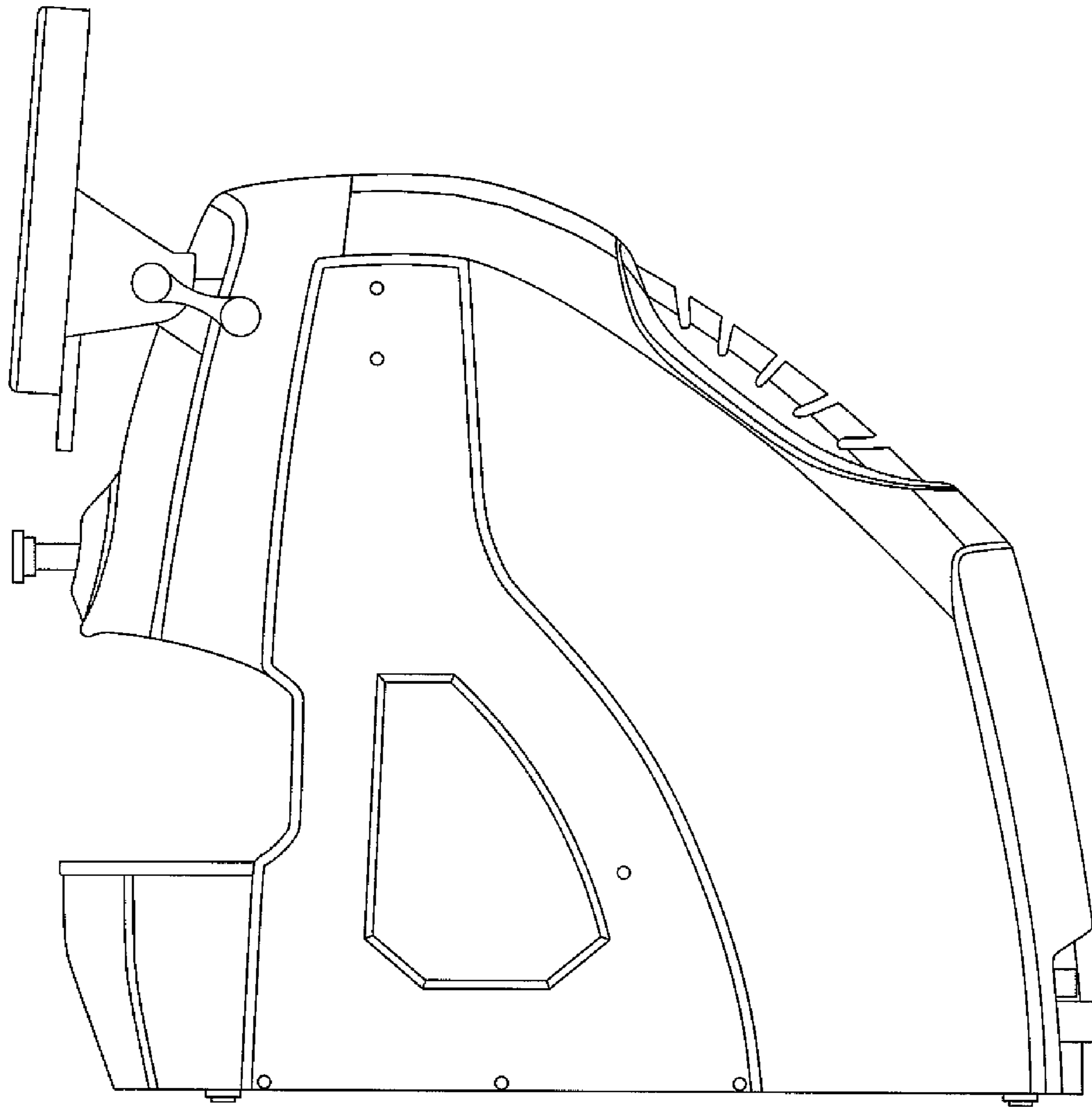


Fig. 6

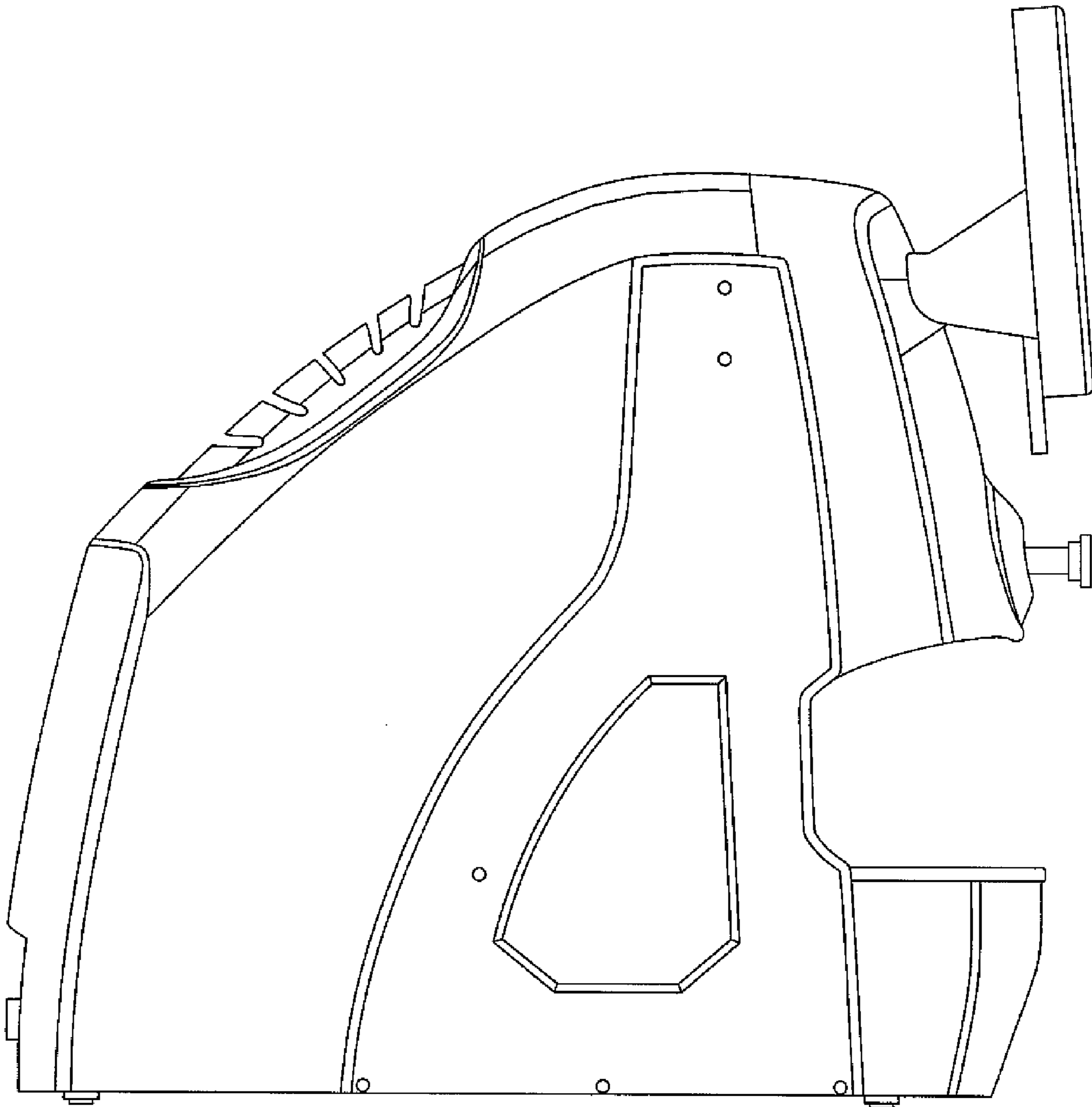


Fig. 7

