



US00D577746S

(12) **United States Design Patent**  
**Rand et al.**

(10) **Patent No.:** **US D577,746 S**  
(45) **Date of Patent:** **\*\* Sep. 30, 2008**

(54) **CONTROL**

(75) Inventors: **Thomas W. Rand**, Cedarburg, WI (US);  
**Andrew J. Doberstein**, Hartford, WI  
(US); **Joseph H. Zyduck**, Mukwonago,  
WI (US); **Jennifer U. Straszewski**,  
Mequon, WI (US)

(73) Assignee: **U-Line Corporation**, Milwaukee, WI  
(US)

(\*\*) Term: **14 Years**

(21) Appl. No.: **29/306,043**

(22) Filed: **Apr. 1, 2008**

**Related U.S. Application Data**

(62) Division of application No. 29/259,053, filed on Apr.  
28, 2006, now Pat. No. Des. 570,885.

(51) **LOC (8) Cl.** ..... **15-07**

(52) **U.S. Cl.** ..... **D15/89**

(58) **Field of Classification Search** ..... D15/79,  
D15/80, 85-89, 91; D13/118, 162, 162.1,  
D13/164, 171, 177; D14/157, 257, 258,  
D14/371, 374, 381, 382, 441, 443, 485, 490;  
D7/406; D18/41, 54, 56; D32/28; D10/104,  
D10/106; D24/201; 62/3.1, 3.6, 3.63, 6.64,  
62/45.1, 98, 125, 275, 293, 331, 344, 371,  
62/440, 467, 529, 531; 312/4, 296; 200/156,  
200/196; 369/30.06

See application file for complete search history.

(56) **References Cited**

**U.S. PATENT DOCUMENTS**

D330,214 S 10/1992 Antonacci et al.  
D334,542 S 4/1993 Lowe et al.  
D334,753 S 4/1993 Dziekan et al.  
D348,936 S 7/1994 Swick et al.  
D369,514 S 5/1996 Baldwin  
D380,212 S \* 6/1997 Colby ..... D14/443  
D387,332 S 12/1997 Harrison

D396,845 S 8/1998 Caldes et al.  
D434,734 S 12/2000 Davis et al.  
D435,021 S 12/2000 Davis et al.  
6,177,925 B1 1/2001 Soloway  
D455,160 S 4/2002 Choi  
D457,862 S 5/2002 Falk et al.  
D472,882 S \* 4/2003 Moye et al. .... D13/162  
D477,825 S 7/2003 Nemoto et al.  
D487,670 S 3/2004 Moon et al.  
D513,153 S 12/2005 Austin et al.  
D518,493 S 4/2006 Sato et al.

(Continued)

*Primary Examiner*—Stella M. Reid

*Assistant Examiner*—Shanda Hill

(74) *Attorney, Agent, or Firm*—Quarles & Brady LLP

(57) **CLAIM**

The ornamental design for a control, as shown and described.

**DESCRIPTION**

In a preferred embodiment, the nature of this product is as a control, for example an electronic control for controlling the refrigeration components of a cooling unit, such as a compact refrigerator, freezer, beverage cooler, ice maker, combinations thereof and the like.

FIG. 1 is a right, top, front perspective view of a control according to our new design;

FIG. 2 is a front elevational thereof;

FIG. 3 is a top plan view thereof;

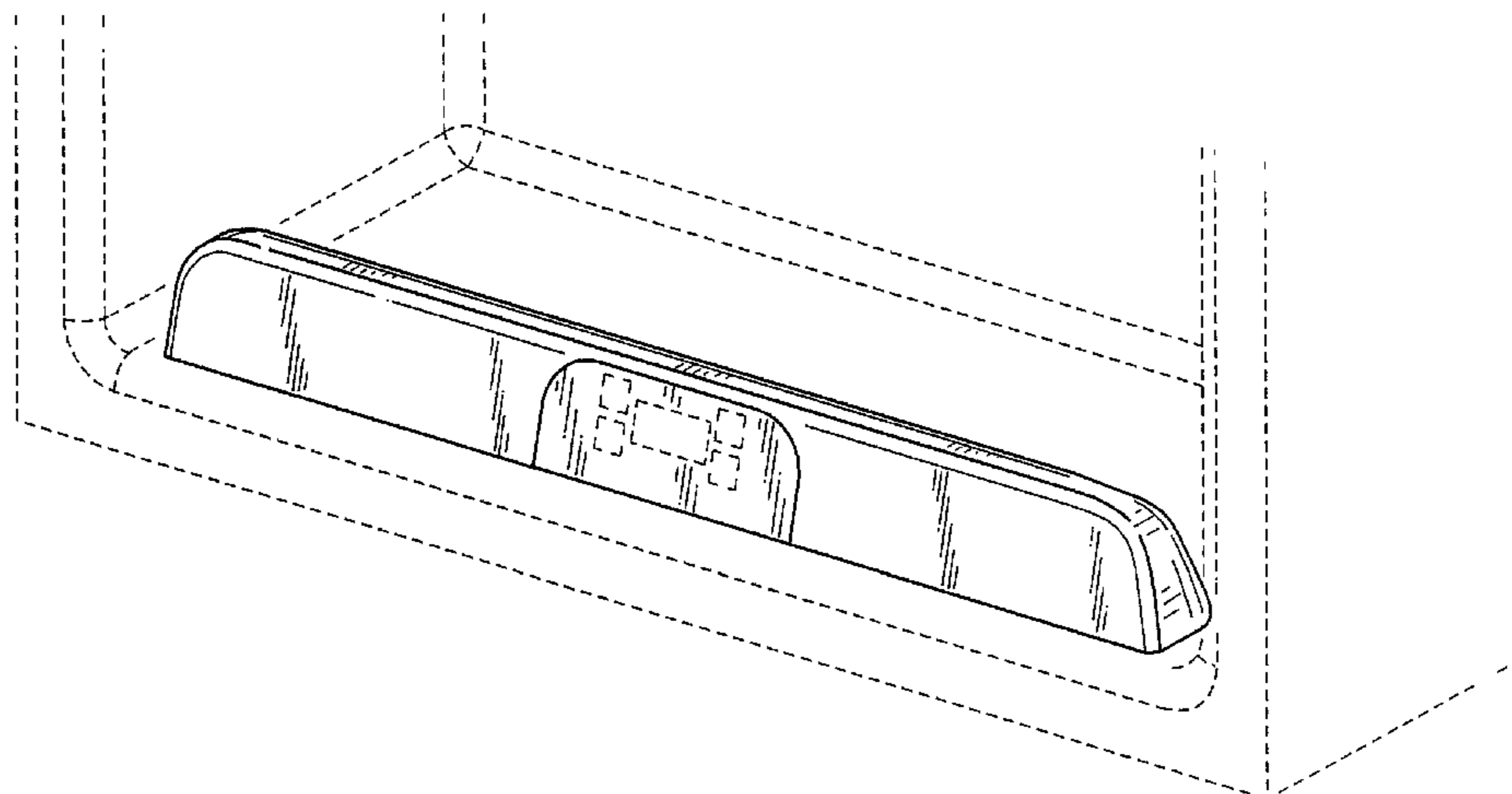
FIG. 4 is rear elevational view thereof;

FIG. 5 is a right side elevational view thereof, the left side elevational view being a mirror image of the right side shown; and,

FIG. 6 is a bottom plan view thereof.

The broken lines shown in the drawing disclosure are for illustrative purposes only and form no part of the claimed design.

**1 Claim, 3 Drawing Sheets**



# US D577,746 S

Page 2

---

## U.S. PATENT DOCUMENTS

D525,632 S	7/2006	Jost et al.				
D549,664 S	8/2007	McDougal et al.				
D563,998 S *	3/2008	Doberstein et al. ....	D15/89	D565,063 S *	3/2008	Doberstein et al. .... D15/89
D563,999 S *	3/2008	Doberstein et al. ....	D15/89	2006/0209641 A1	9/2006	Navid
D564,000 S *	3/2008	Zyduck et al. ....	D15/89	2007/0159454 A1	7/2007	Rodriguez et al.
				2007/0187215 A1	8/2007	Lavigne et al.
				2007/0193865 A1	8/2007	No et al.

\* cited by examiner

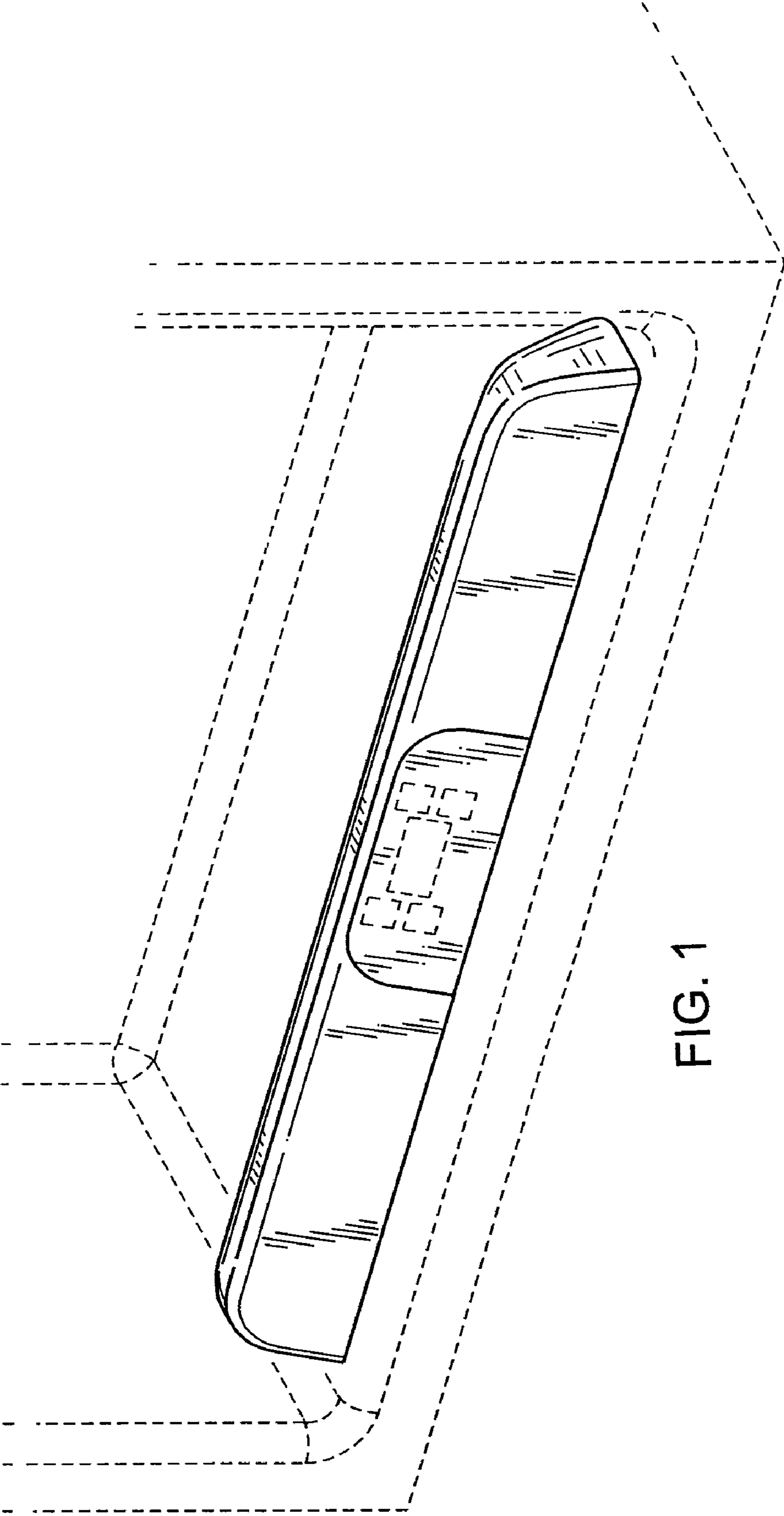


FIG. 1

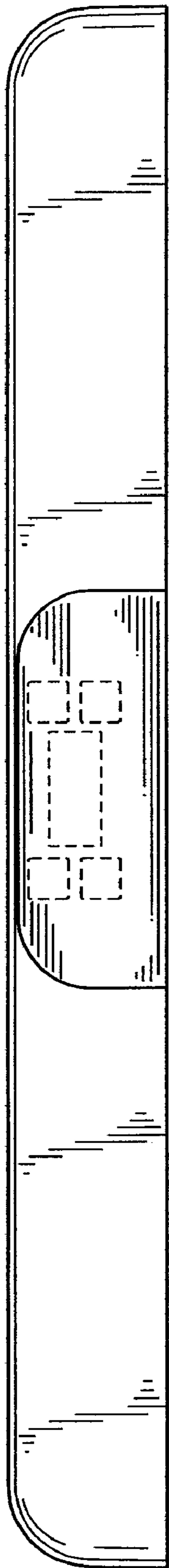


FIG. 2

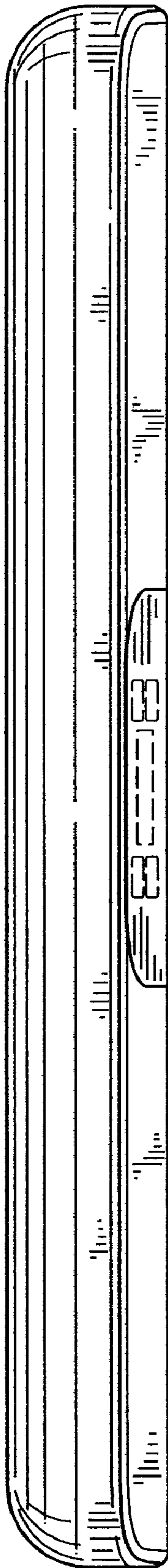


FIG. 3

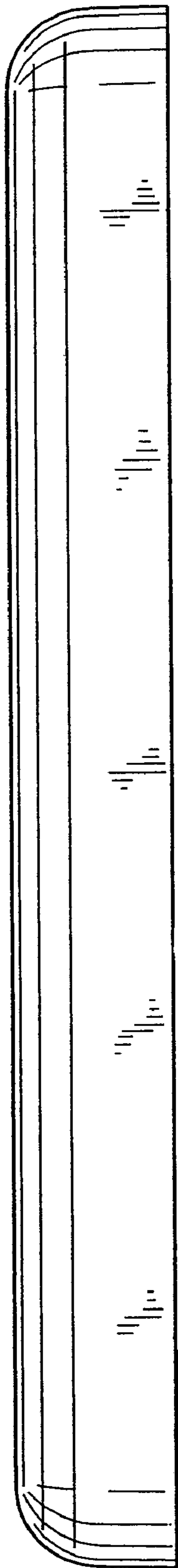


FIG. 4

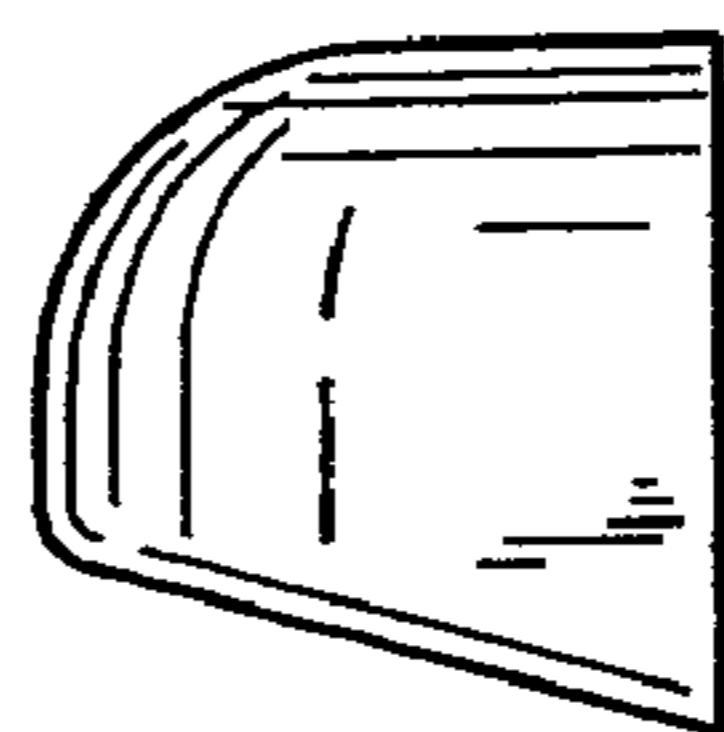


FIG. 5

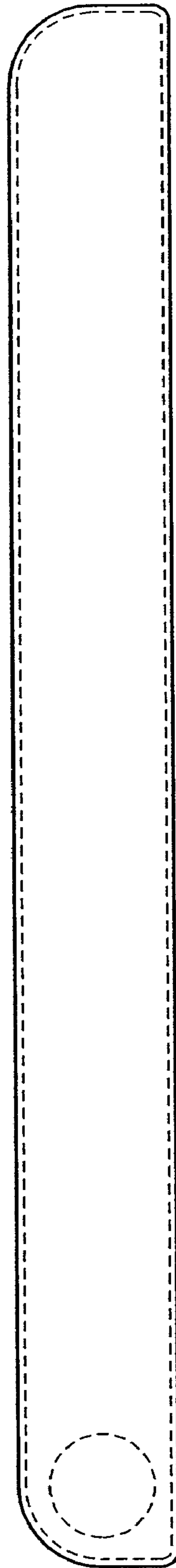


FIG. 6