



US00D577744S

(12) **United States Design Patent**  
**Baacke et al.**

(10) **Patent No.:** **US D577,744 S**

(45) **Date of Patent:** **\*\* \*Sep. 30, 2008**

(54) **REFRIGERATOR SHELF**

(75) Inventors: **Sven Baacke**, Munich (DE); **Christoph Becke**, Stephanskirchen (DE); **Matthew Ricket**, New Bern, NC (US); **Hermann-Reinhard Segers**, Munich (DE); **Roland Vetter**, Giengen (DE)

(73) Assignee: **BSH Bosch und Siemens Hausgeraete GmbH**, Munich (DE)

(\*) Notice: This patent is subject to a terminal disclaimer.

(\*\*) Term: **14 Years**

(21) Appl. No.: **29/259,945**

(22) Filed: **May 16, 2006**

(30) **Foreign Application Priority Data**

Nov. 30, 2005 (EM) ..... 000445796

(51) **LOC (8) Cl.** ..... **15-07**

(52) **U.S. Cl.** ..... **D15/89**

(58) **Field of Classification Search** ..... D15/79,  
D15/85, 86, 89, 90, 91; 62/3.6, 125, 126,  
62/187; 312/116, 138.1, 236, 321.5, 330.1,  
312/401, 402, 404, 405, 405.1, 407, 408;  
211/90.01, 153, 194; 108/26, 59, 108, 147.11,  
108/147.16, 157.13

See application file for complete search history.

(56) **References Cited**

**U.S. PATENT DOCUMENTS**

D142,904 S \* 11/1945 Paddock ..... D15/89  
2,786,729 A \* 3/1957 Fields ..... 312/350

5,287,252 A \* 2/1994 Caruso ..... 362/92  
5,429,433 A \* 7/1995 Bird et al. .... 312/408  
5,441,338 A \* 8/1995 Kane et al. .... 312/408  
5,540,493 A \* 7/1996 Kane et al. .... 312/408  
5,913,584 A \* 6/1999 Swindell et al. .... 312/408  
D428,898 S \* 8/2000 Hixson ..... D15/90  
6,811,045 B1 \* 11/2004 Masker et al. .... 211/153  
2003/0117051 A1 \* 6/2003 Kweon ..... 312/408

\* cited by examiner

*Primary Examiner*—Stella M. Reid

*Assistant Examiner*—Shanda Hill

(74) *Attorney, Agent, or Firm*—Russell W. Warnock; James E. Howard

(57) **CLAIM**

The ornamental design for a refrigerator shelf, as shown and described.

**DESCRIPTION**

FIG. 1 is a perspective view of a refrigerator shelf showing our new design;

FIG. 2 is a top plan view thereof;

FIG. 3 is a left side view thereof;

FIG. 4 is a right side view thereof;

FIG. 5 is a front view thereof;

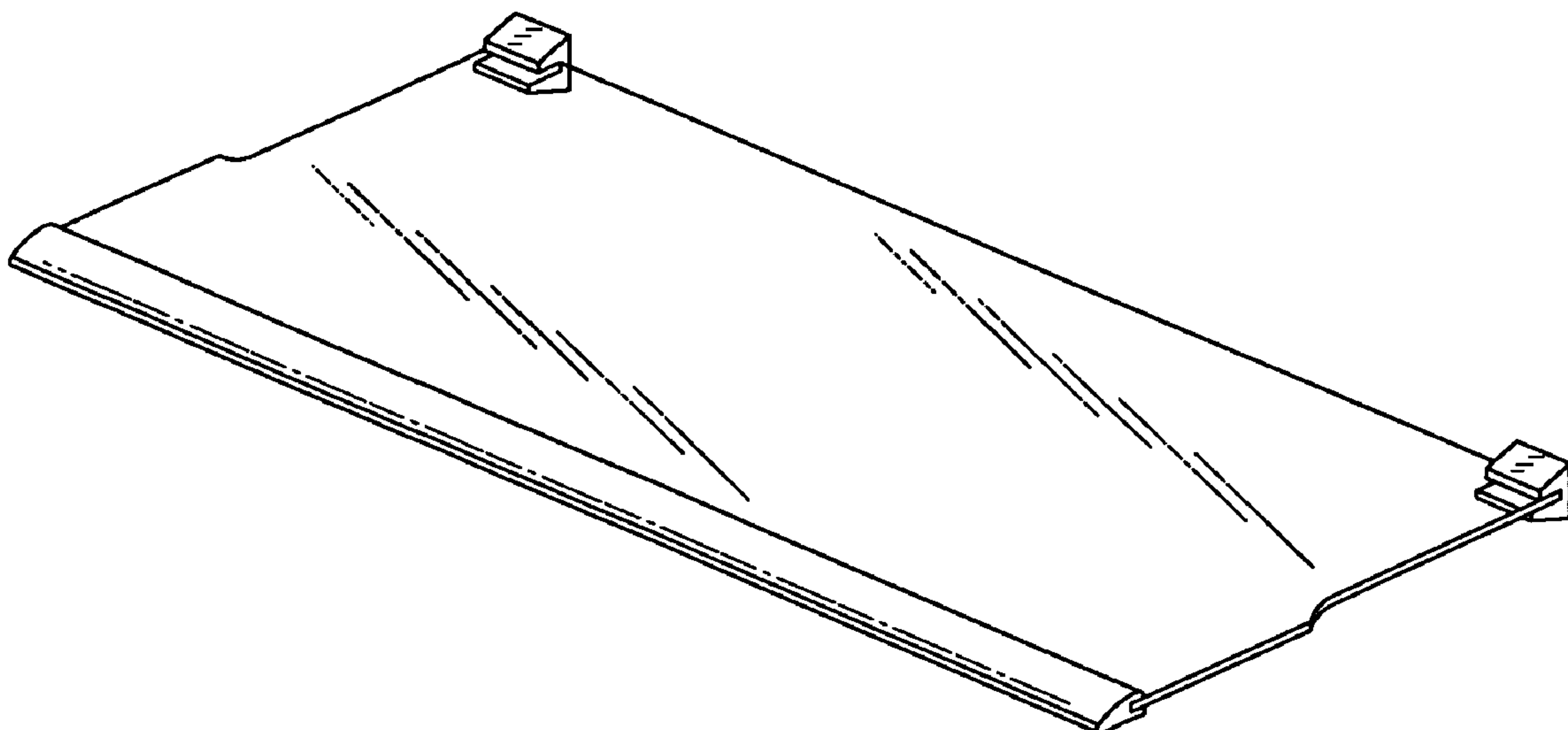
FIG. 6 is a rear view thereof;

FIG. 7 is a bottom plan view thereof;

FIG. 8 is an enlarged partial view of FIG. 1; and,

FIG. 9 is an enlarged partial view of FIG. 4.

**1 Claim, 5 Drawing Sheets**



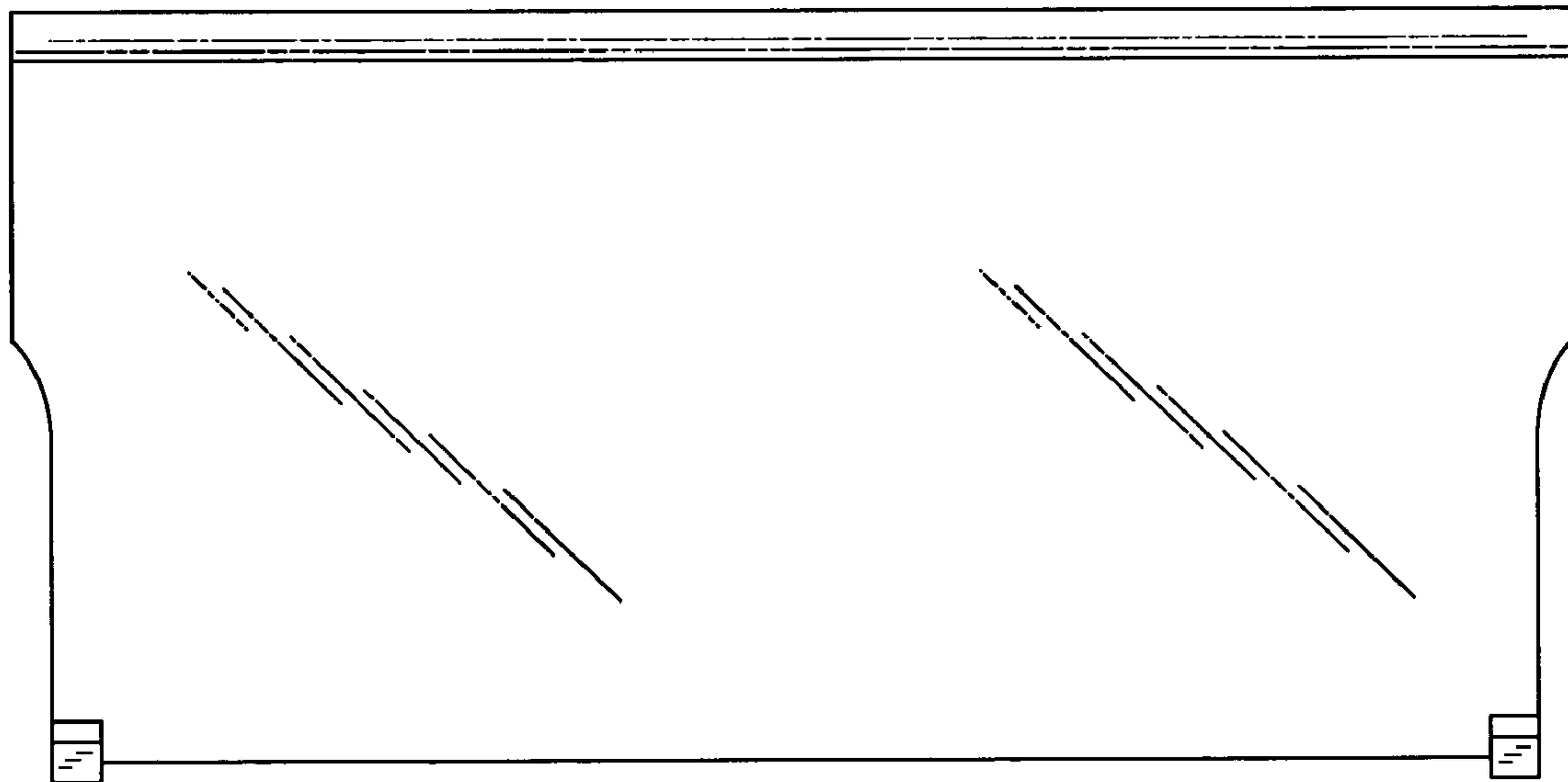
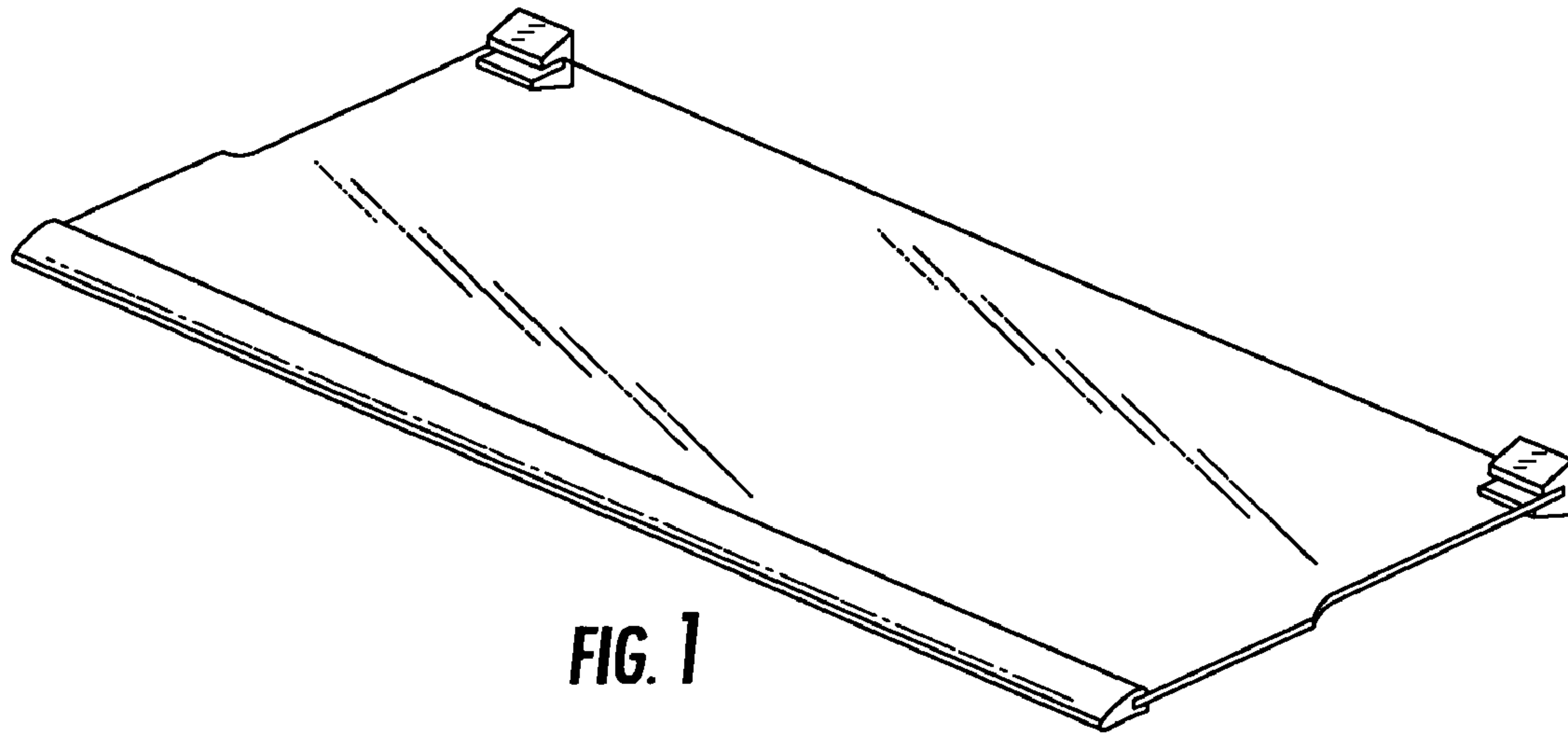
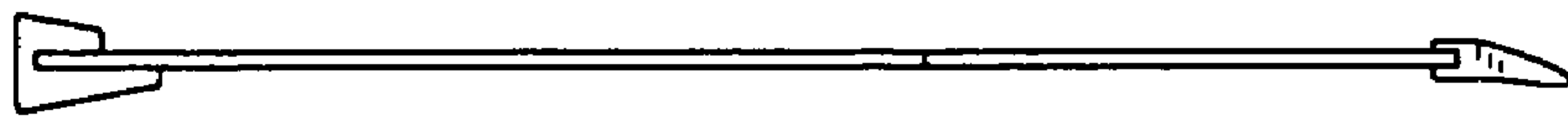
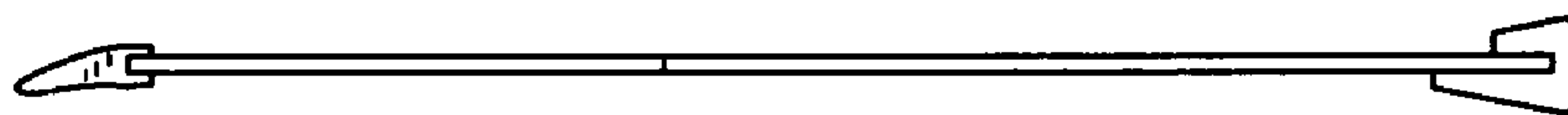


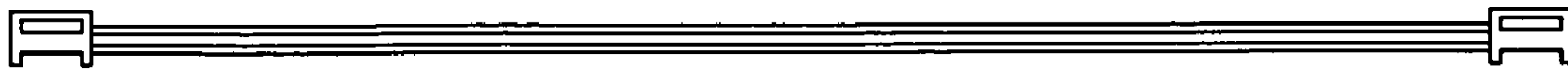
FIG. 2



**FIG. 3**



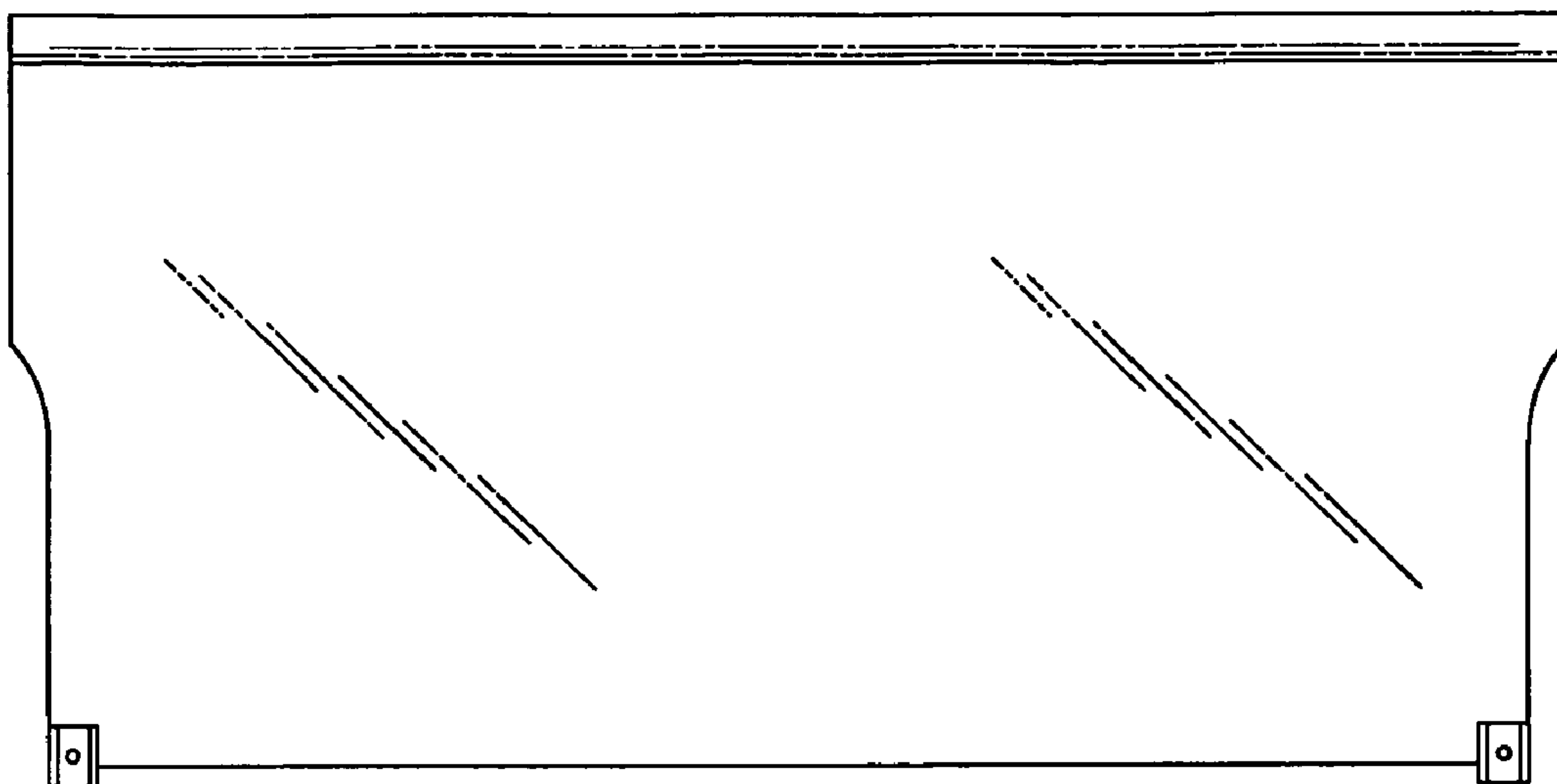
**FIG. 4**



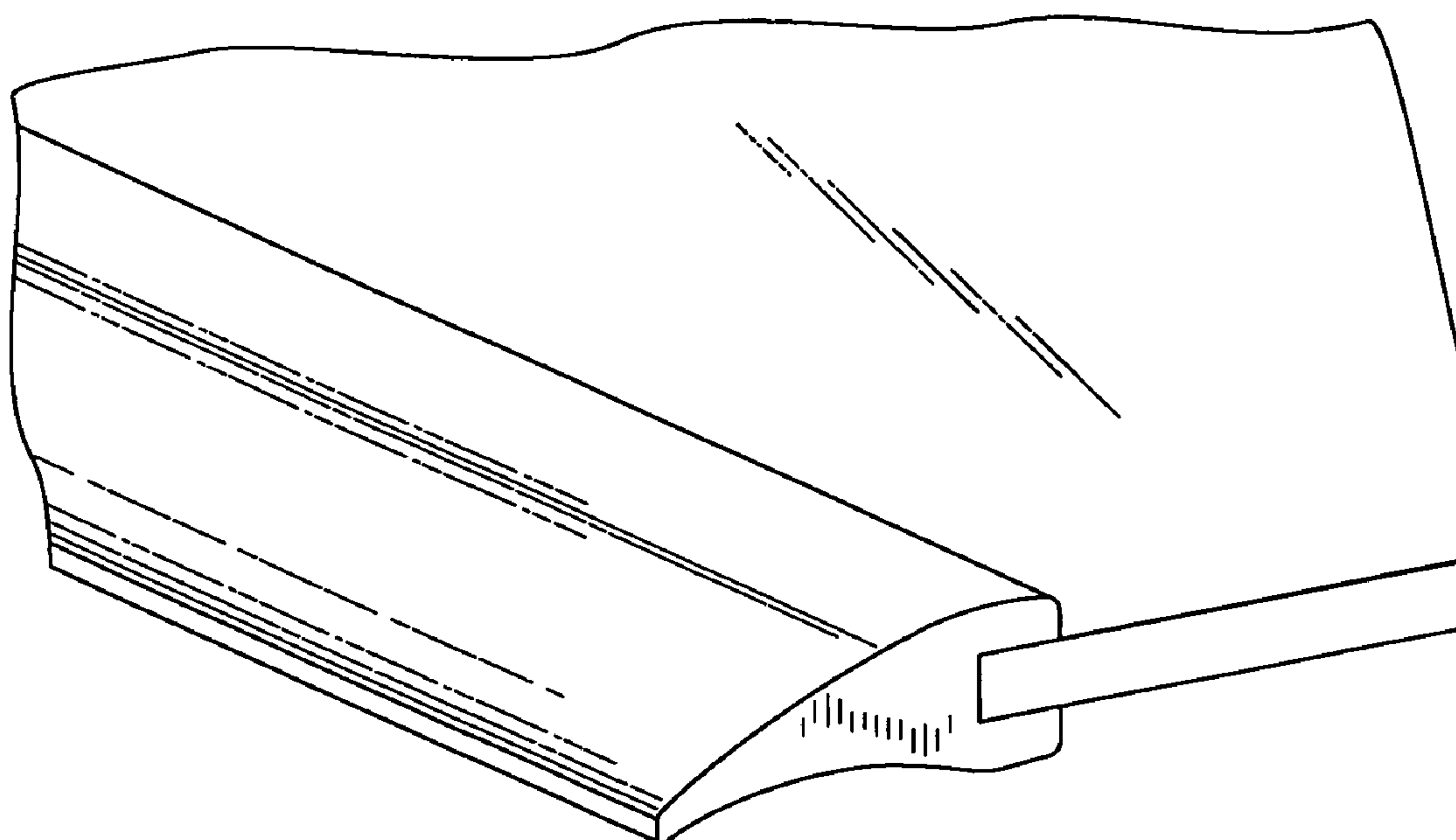
**FIG. 5**



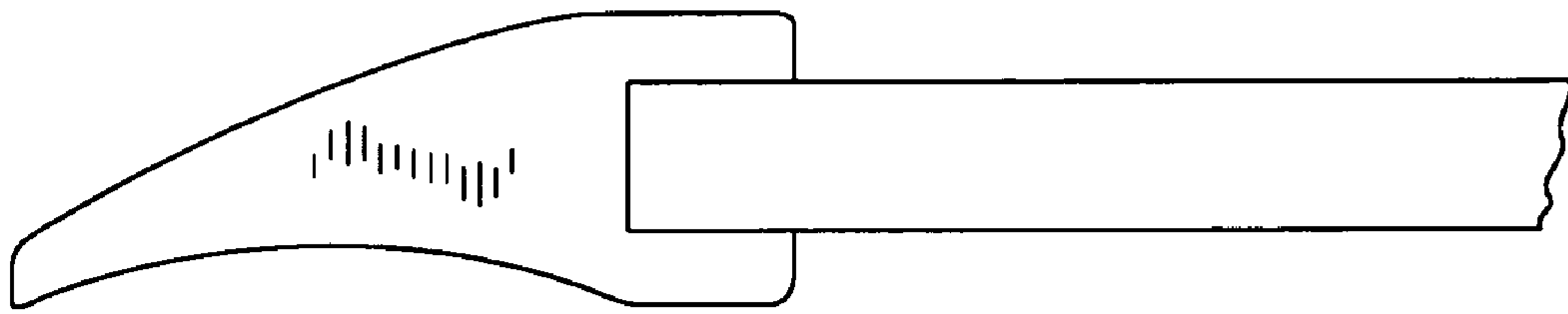
**FIG. 6**



**FIG. 7**



**FIG. 8**



**FIG. 9**