



US00D577730S

(12) **United States Design Patent**
Rutten

(10) **Patent No.:** **US D577,730 S**

(45) **Date of Patent:** **** Sep. 30, 2008**

(54) **LOAD BEARING STRUCTURE**

(75) Inventor: **Dirk Rutten**, Utrecht (NL)

(73) Assignee: **Ionic B.V.**, Nieuwegein (NL)

(**) Term: **14 Years**

(21) Appl. No.: **29/267,316**

(22) Filed: **Oct. 11, 2006**

(51) **LOC (8) Cl.** **14-03**

(52) **U.S. Cl.** **D14/452**

(58) **Field of Classification Search** D14/451,
D14/452, 129, 209, 217, 224, 237, 238, 239,
D14/432, 439, 447, 448; D8/349, 354, 355,
D8/363, 373, 380; 348/825, 827; 248/176.1,
248/205.1, 219.2, 220.21, 222.52, 222.51,
248/274.1, 276.1, 281.11, 284.1, 291.1, 309.1,
248/323, 324, 349.1, 425, 917, 918, 919,
248/920, 921, 922, 923, 924

See application file for complete search history.

(56) **References Cited**

U.S. PATENT DOCUMENTS

| | | | | | |
|-----------|------|--------|--------------|-------|-----------|
| 6,554,238 | B1 * | 4/2003 | Hibberd | | 248/278.1 |
| D489,599 | S * | 5/2004 | Lam | | D8/363 |
| D505,858 | S * | 6/2005 | O'Keene | | D8/355 |
| D508,917 | S * | 8/2005 | Wills et al. | | D14/452 |
| D522,009 | S * | 5/2006 | Chen | | D14/452 |

| | | | | | |
|----------|-----|---------|------------------|-------|---------|
| D529,033 | S * | 9/2006 | Hung | | D14/452 |
| D543,210 | S * | 5/2007 | Stenhouse et al. | | D14/452 |
| D543,211 | S * | 5/2007 | Petrick et al. | | D14/452 |
| D552,974 | S * | 10/2007 | Petrick et al. | | D8/363 |
| D553,135 | S * | 10/2007 | Muday et al. | | D14/452 |
| D558,560 | S * | 1/2008 | Ciungan et al. | | D8/363 |
| D558,562 | S * | 1/2008 | Ciungan et al. | | D8/363 |
| D558,563 | S * | 1/2008 | Ciungan et al. | | D8/363 |

* cited by examiner

Primary Examiner—Cathron Brooks

Assistant Examiner—Angela J Lee

(74) *Attorney, Agent, or Firm*—Ladas & Parry LLP

(57) **CLAIM**

The ornamental design for a load bearing structure, as shown and described.

DESCRIPTION

FIG. 1 is a top, left, front perspective view of a load bearing structure showing my new design;

FIG. 2 is a left side view of FIG. 1;

FIG. 3 is a front view of FIG. 1;

FIG. 4 is a rear view of FIG. 1;

FIG. 5 is a top view of FIG. 1; and,

FIG. 6 is a bottom view of FIG. 1.

1 Claim, 4 Drawing Sheets

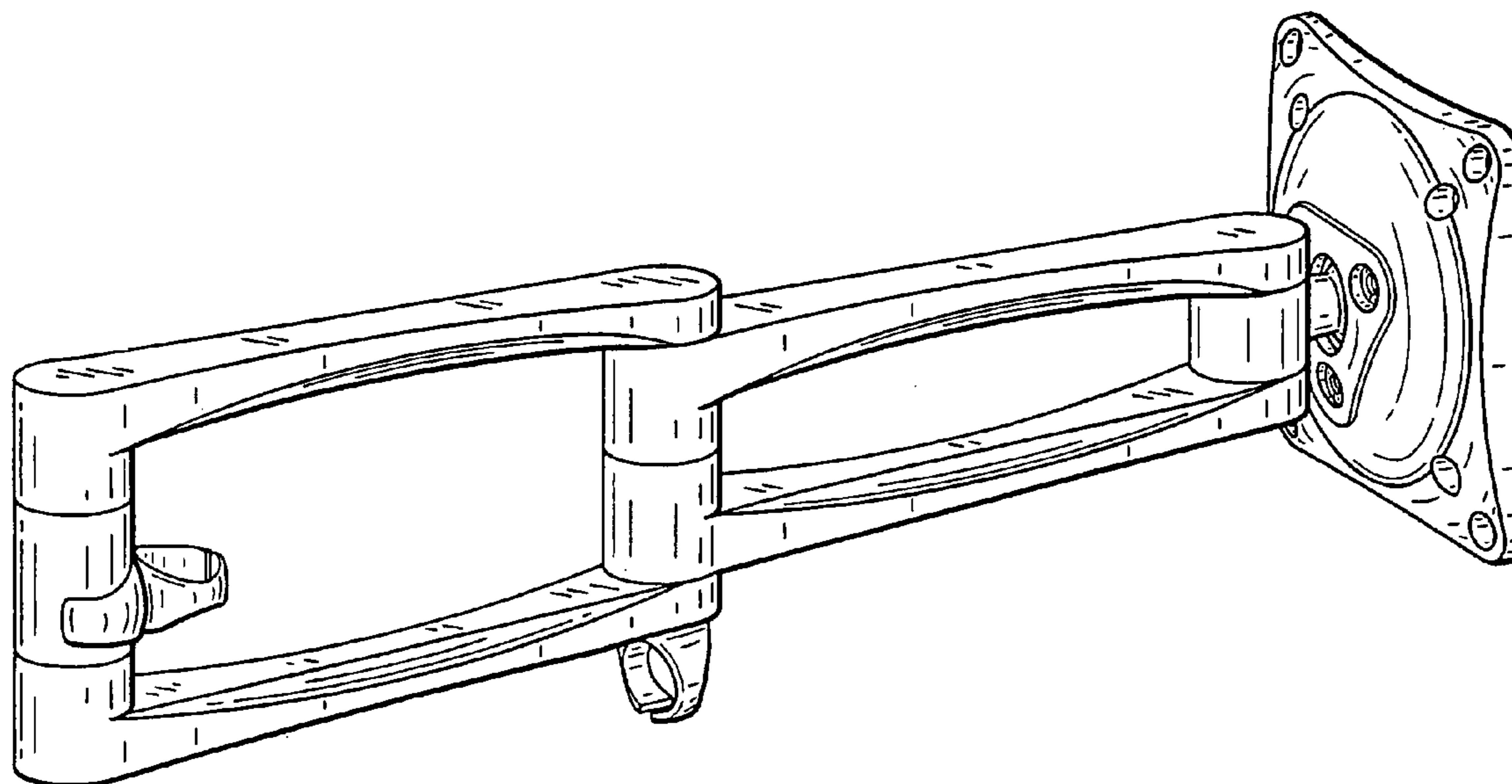


FIG. 1

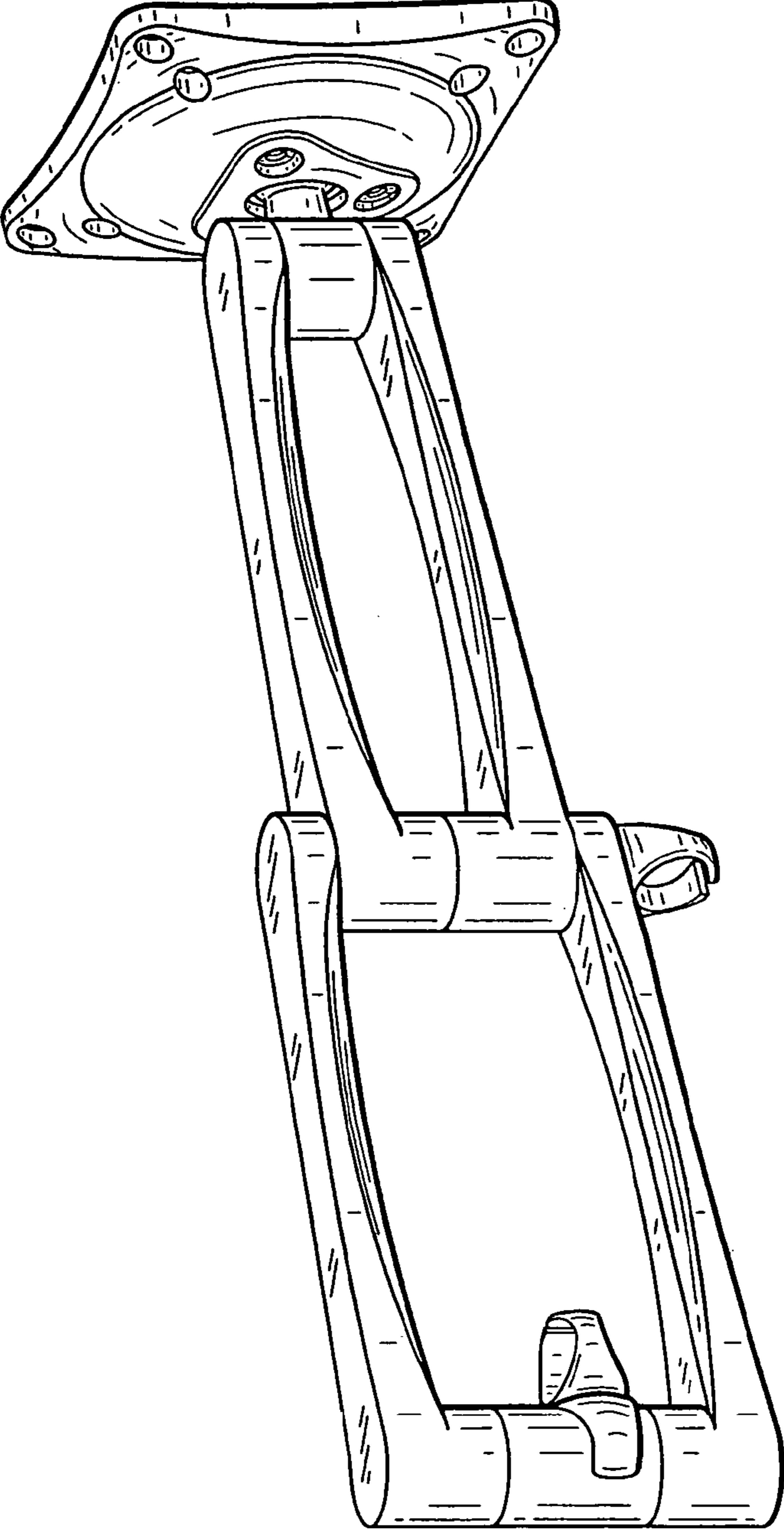


FIG. 2

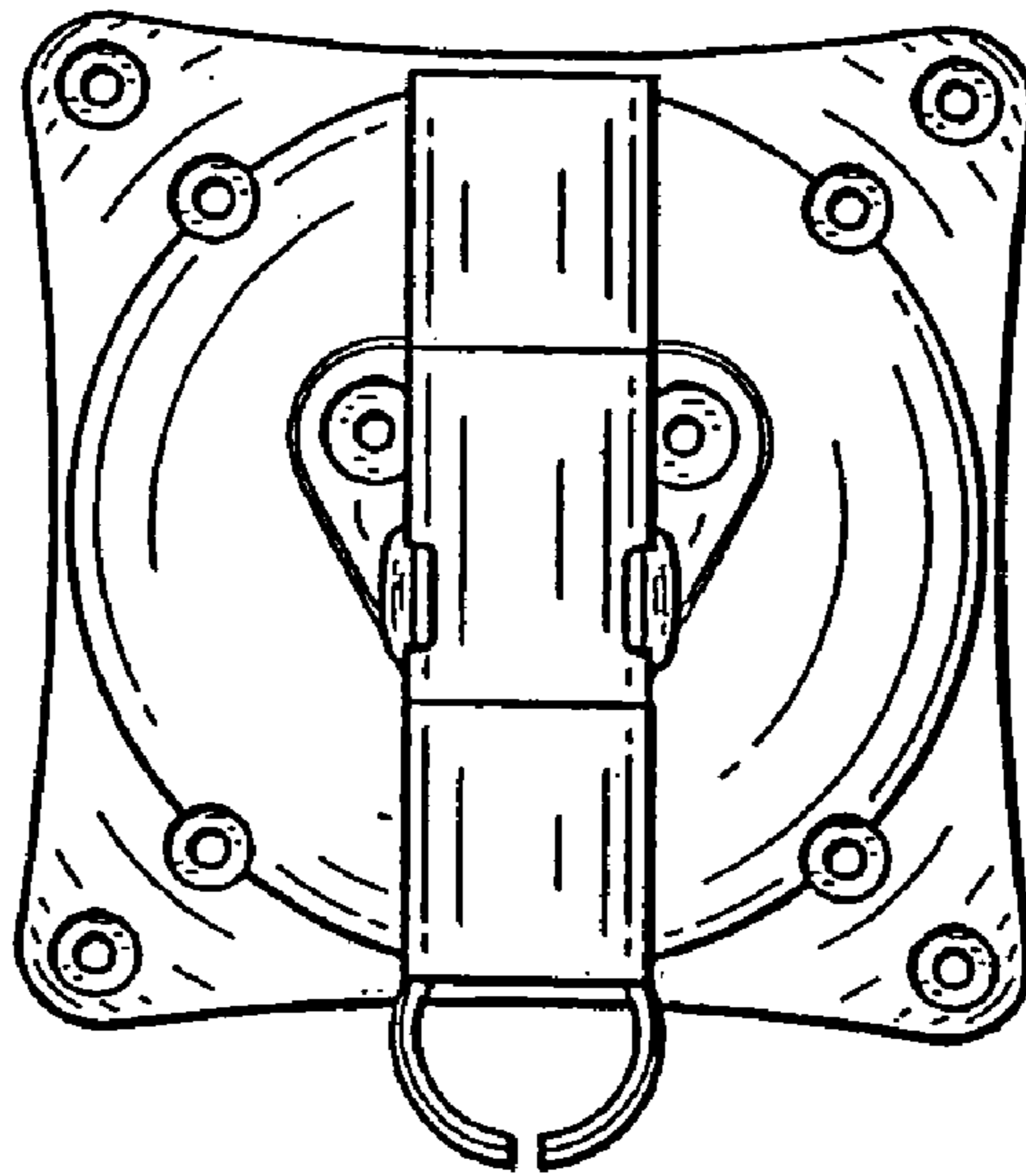


FIG. 3

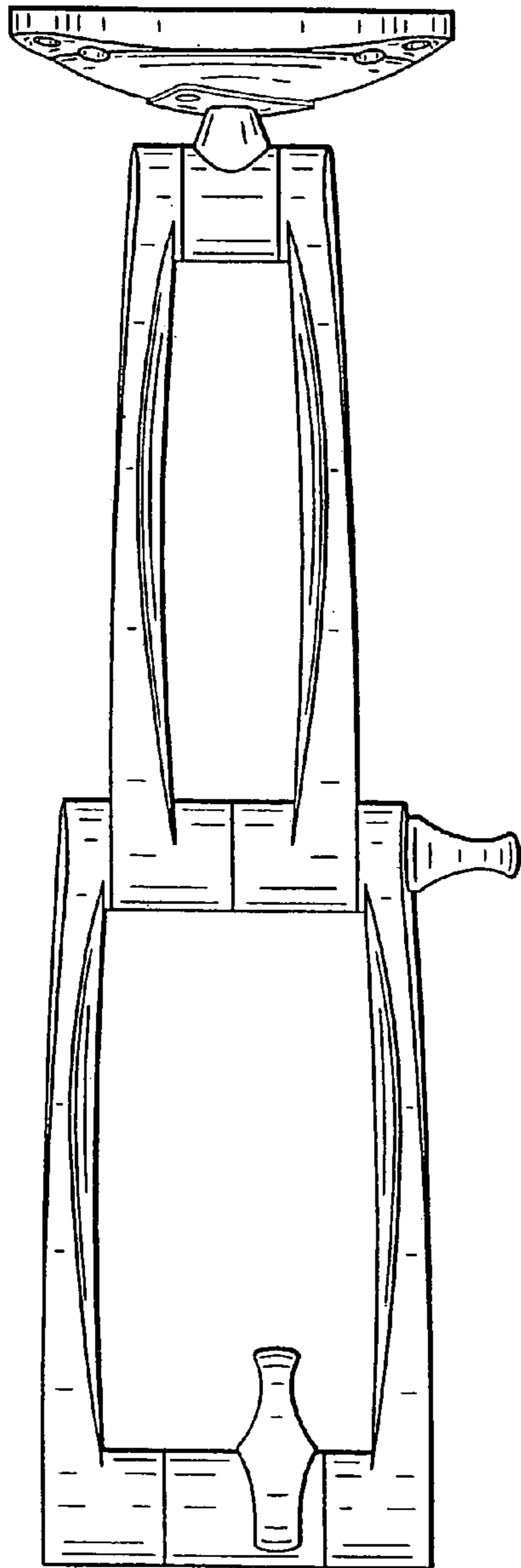


FIG. 4

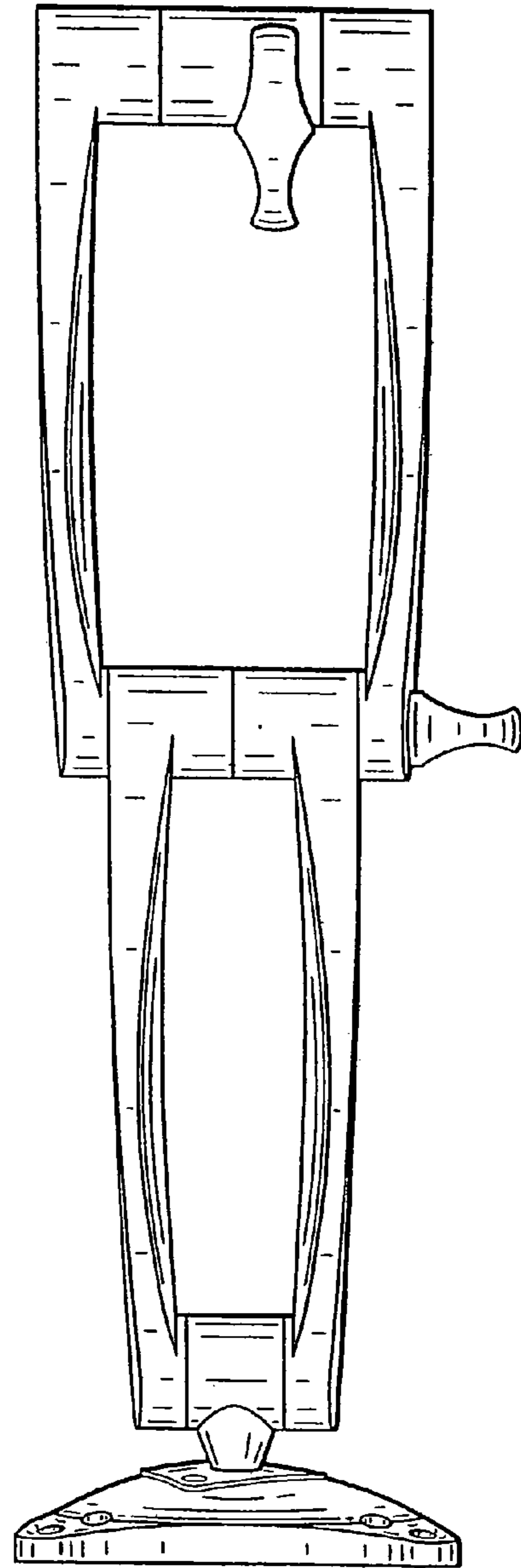


FIG. 5

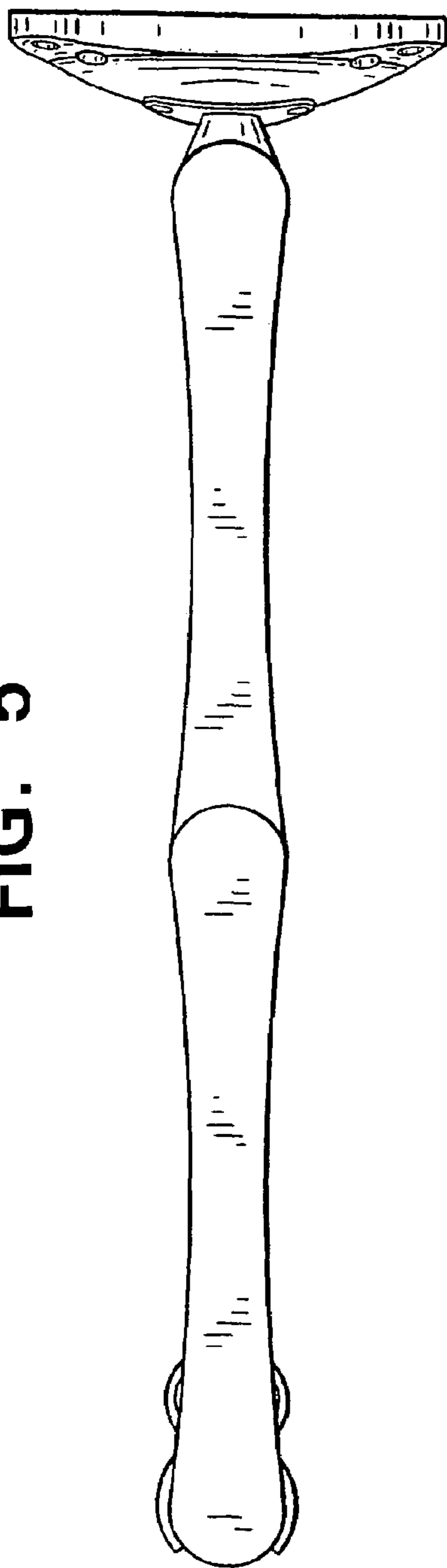


FIG. 6

