



US00D577727S

(12) **United States Design Patent**
Morrow et al.

(10) **Patent No.:** **US D577,727 S**
(45) **Date of Patent:** **** Sep. 30, 2008**

(54) **TRACKBALL AND MOUNTING PLATE**

(75) Inventors: **James David Morrow**, Oak Park, IL (US); **Alisa Elaine Kober**, Arlington Heights, IL (US)

(73) Assignee: **Cosmodog, Ltd.**, Chicago, IL (US)

(**) Term: **14 Years**

(21) Appl. No.: **29/247,664**

(22) Filed: **Jun. 30, 2006**

(51) **LOC (8) Cl.** **14-02**

(52) **U.S. Cl.** **D14/417; D21/333**

(58) **Field of Classification Search** D14/417, D14/408, 454, 402; 200/5 A, 6 R, 6 A, 5 R; 273/148 B; 345/156-67; D21/333, 329, D21/269; D13/162, 164, 168; 74/471 XY
See application file for complete search history.

(56) **References Cited**

U.S. PATENT DOCUMENTS

4,536,164	A *	8/1985	Klawitter	446/143
5,528,523	A *	6/1996	Yoshida	708/141
D399,499	S *	10/1998	Kaneko et al.	D14/417
D411,587	S *	6/1999	Beyer	D21/333
D429,770	S *	8/2000	Luciano et al.	D21/369
D452,506	S *	12/2001	Hu	D14/417
D463,435	S *	9/2002	Gatto et al.	D14/402
D466,121	S *	11/2002	von Ilberg et al.	D14/417
D470,496	S *	2/2003	Sheehan et al.	D14/417
6,848,993	B2 *	2/2005	Webb	463/22
D521,003	S *	5/2006	Shimizu	D14/402
D521,015	S *	5/2006	Hayes et al.	D14/454
7,195,561	B2 *	3/2007	Hussaini et al.	463/31

OTHER PUBLICATIONS

“Model 4243, The Philco ‘Holiday’, 1958”, <<http://www.mzstv.com/holiday.html>>, One page, as of at least Jun. 29, 2006.

“Model 4654, The Philco ‘Pedestal’, 1958”, <<http://www.mzstv.com/pedestal.html>>, One page, as of at least Jun. 29, 2006.

“Model 4710, The Philco ‘Penthouse’, 1958”, <<http://www.mzstv.com/tandem.htm>>, One page, as of at least Jun. 29, 2006.

“Model 3410, The Philco ‘Princess’, 1959”, <<http://www.mzstv.com/princess.html>>, One page, as of at least Jun. 29, 2006.

“Model 4730, The Philco ‘Continental’, 1960”, <<http://www.mzstv.com/continental.html>>, One page, as of at least Jun. 29, 2006.

“What happened to Philco?”, <<http://www.mzstv.com/philco.html>>, One page, as of at least Jun. 29, 2006.

“Trackball Mounting Kits”, <<http://www.happcontrols.com/trackballs/55110100.htm>>, Two pages, as of at least Jun. 29, 2006.

Brunswick Scorer’s Table: as of at least Jun. 29, 2006.

Bowling Lane Markings: as of at least Jun. 29, 2006.

* cited by examiner

Primary Examiner—Pamela J Burgess

(74) *Attorney, Agent, or Firm*—Banner & Witcoff, Ltd.

(57) **CLAIM**

The ornamental design for a trackball and mounting plate, as shown and described.

DESCRIPTION

FIG. 1 is a perspective view of a trackball and mounting plate showing the new design;

FIG. 2 is a front view thereof;

FIG. 3 is a left side elevational view thereof;

FIG. 4 is a right side elevational view thereof;

FIG. 5 is a top plan view thereof;

FIG. 6 is an enlarged perspective view of the claimed region shown in FIG. 1;

FIG. 7 is an enlarged front view of the claimed region shown in FIG. 2;

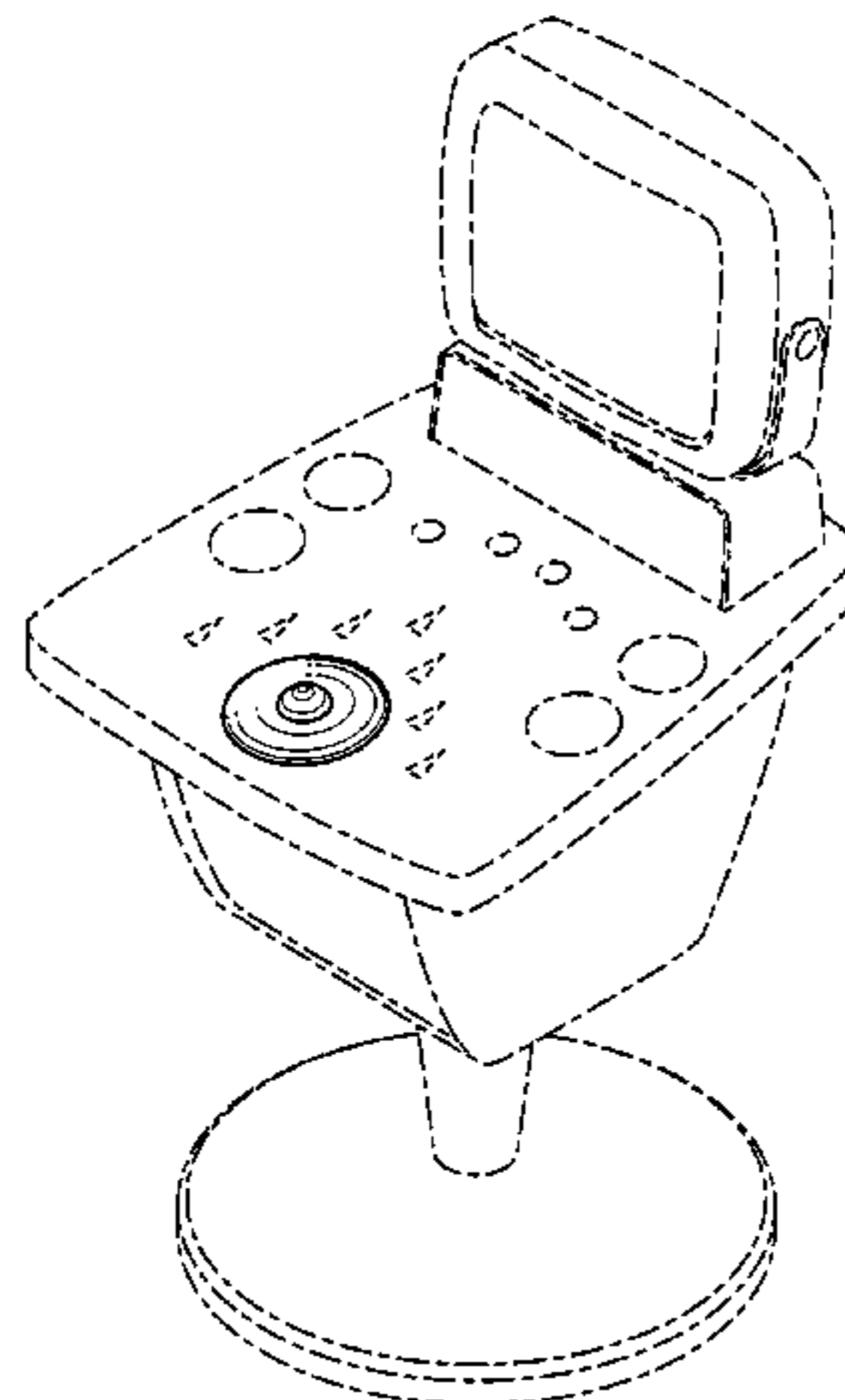
FIG. 8 is an enlarged left side elevational view of the claimed region shown in FIG. 3;

FIG. 9 is an enlarged right side elevational view of the claimed region shown in FIG. 4; and,

FIG. 10 is an enlarged top plan view of the claimed region shown in FIG. 5.

The broken line showing of the remainder of the game housing in the Figures and the unshaded areas there within are for illustrative purposes only and form no part of the claimed design.

1 Claim, 8 Drawing Sheets



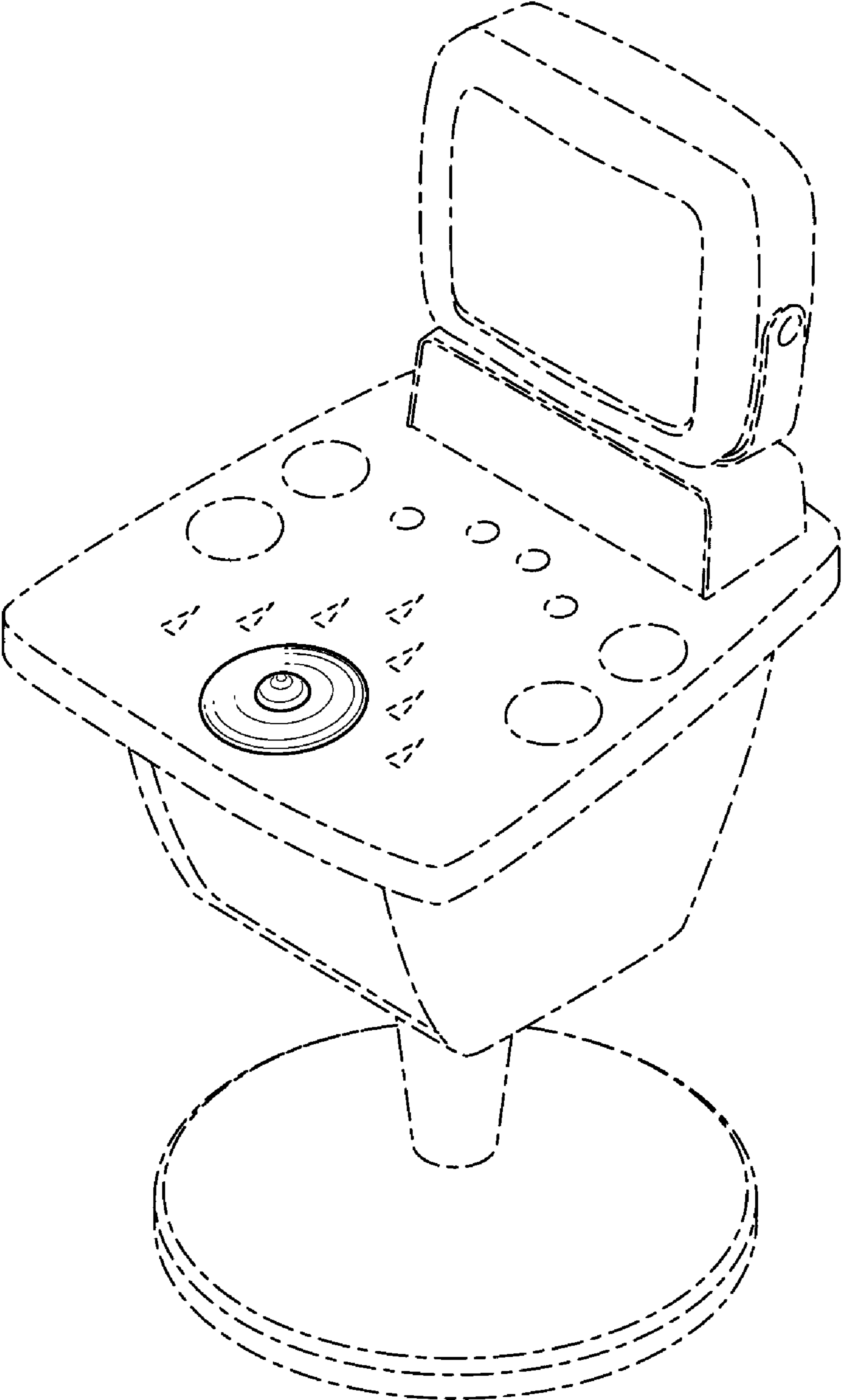


FIG. 1

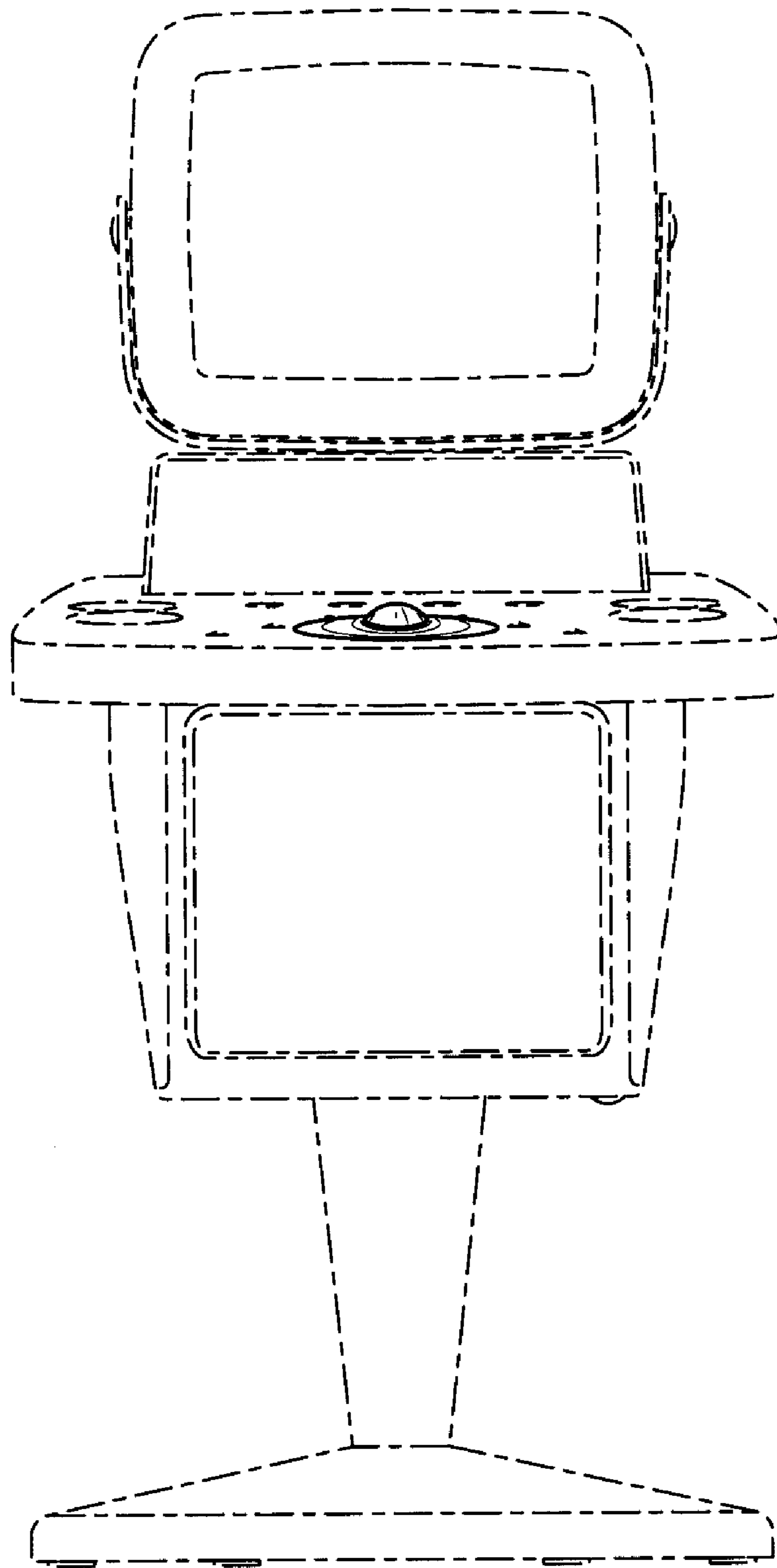


FIG. 2

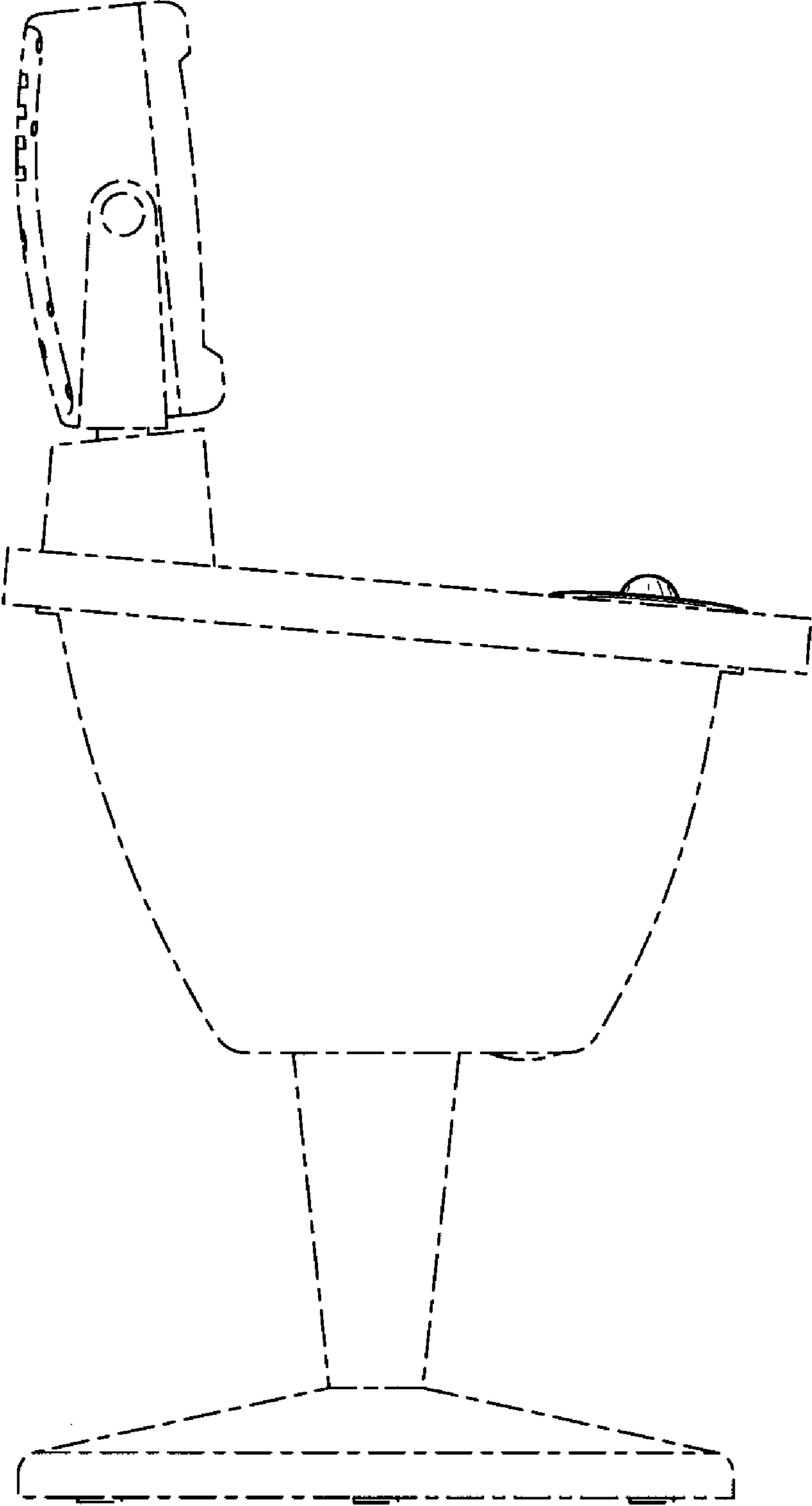


FIG. 3

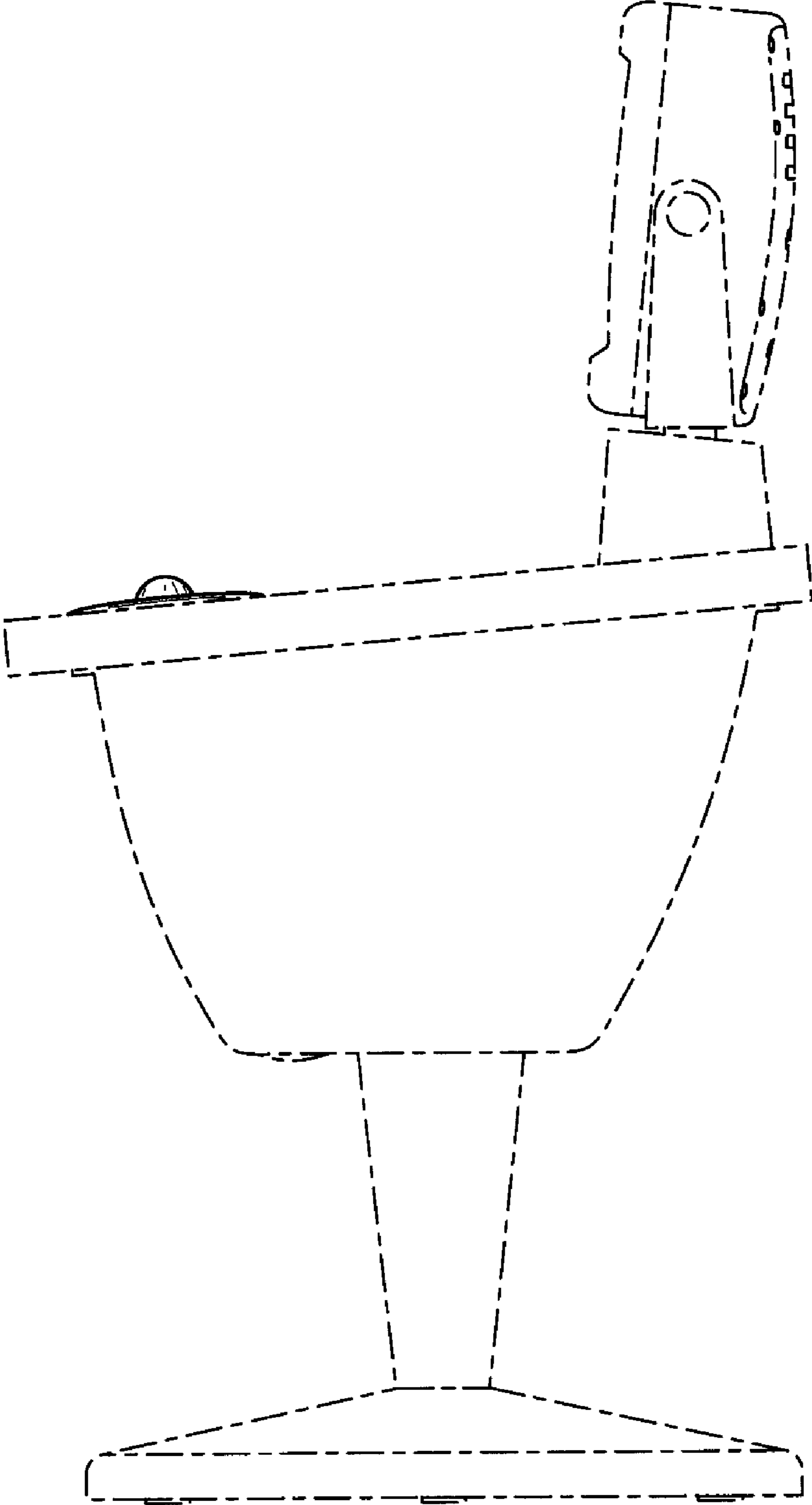


FIG. 4

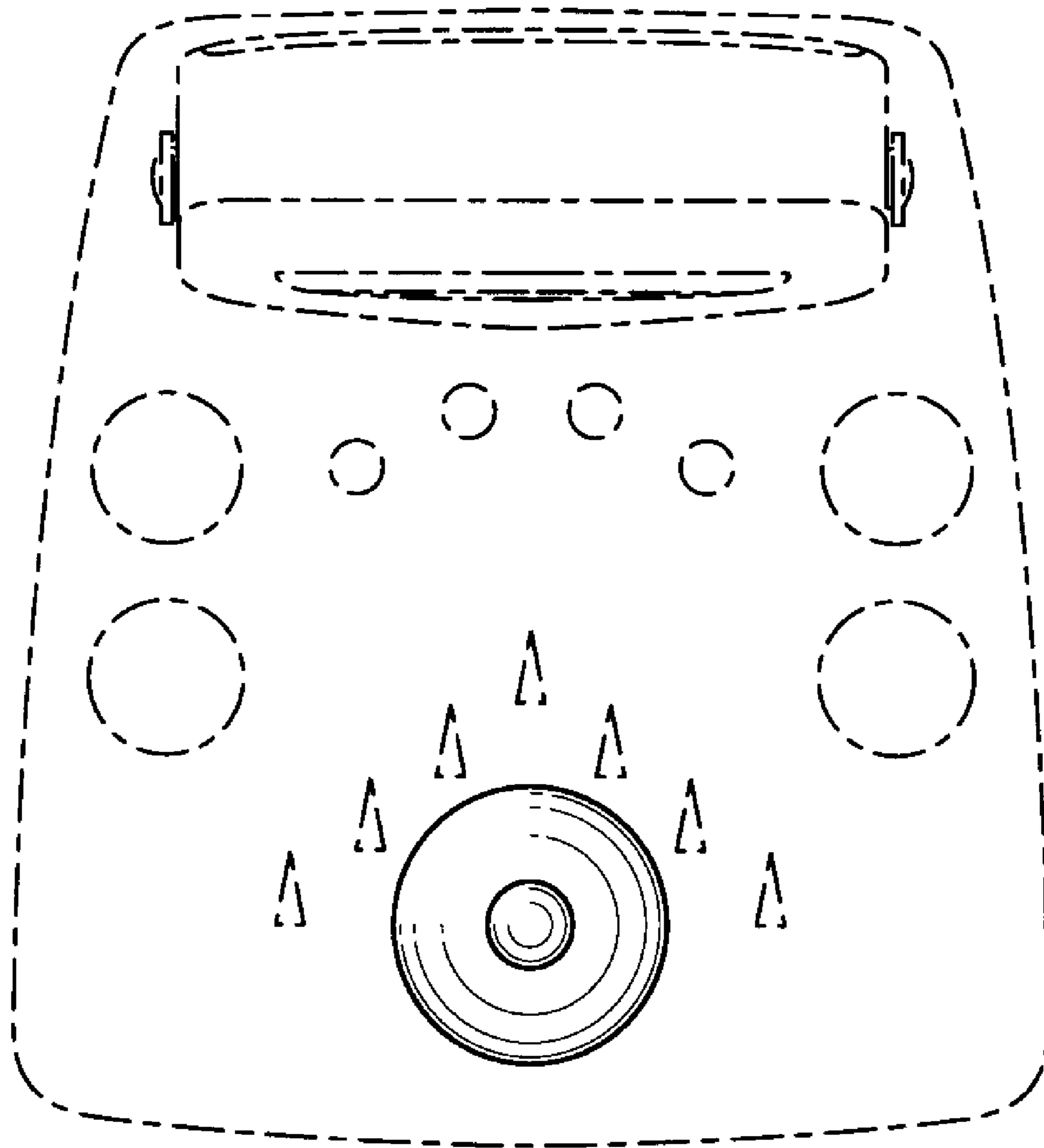


FIG. 5

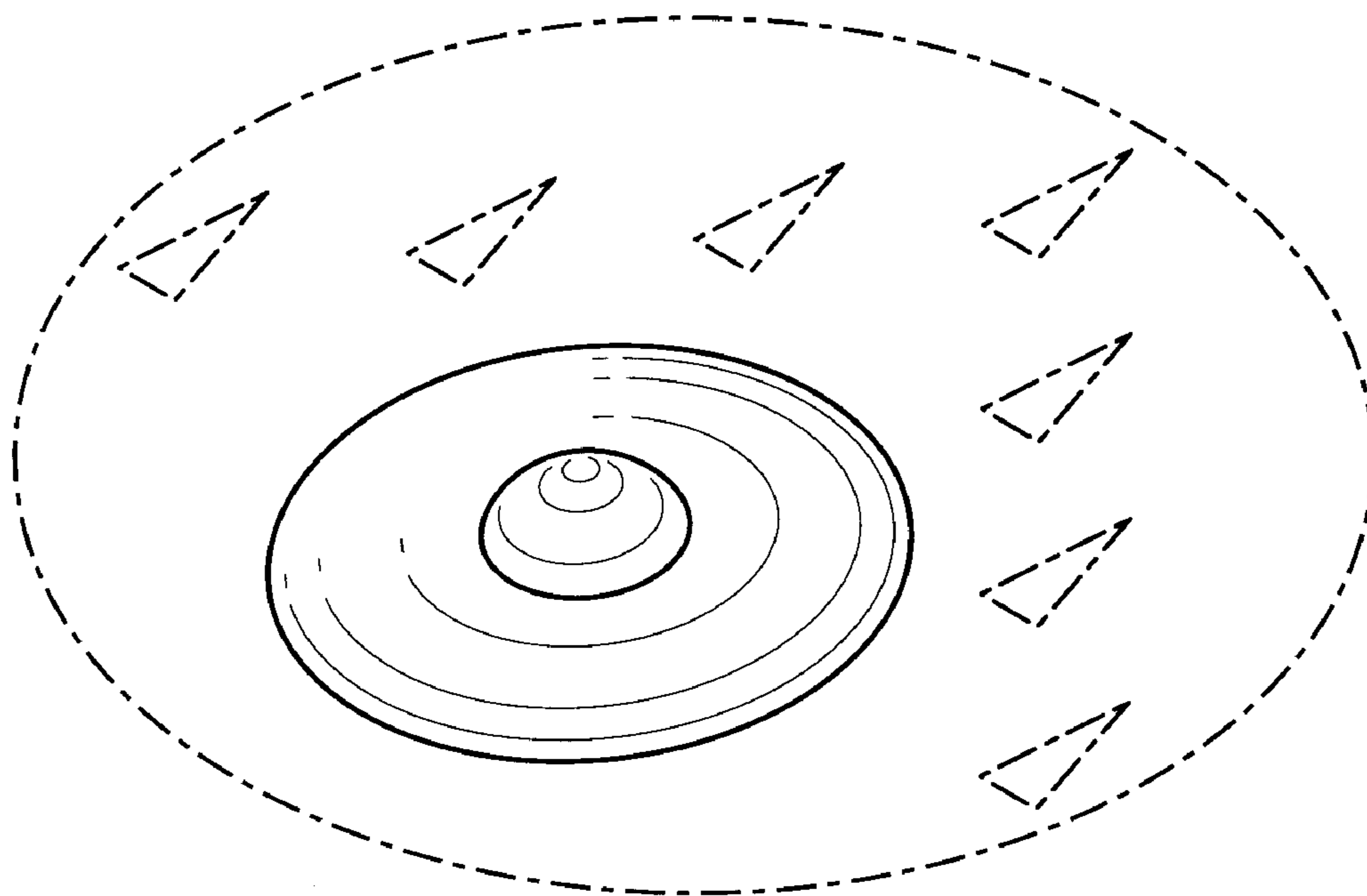


FIG. 6

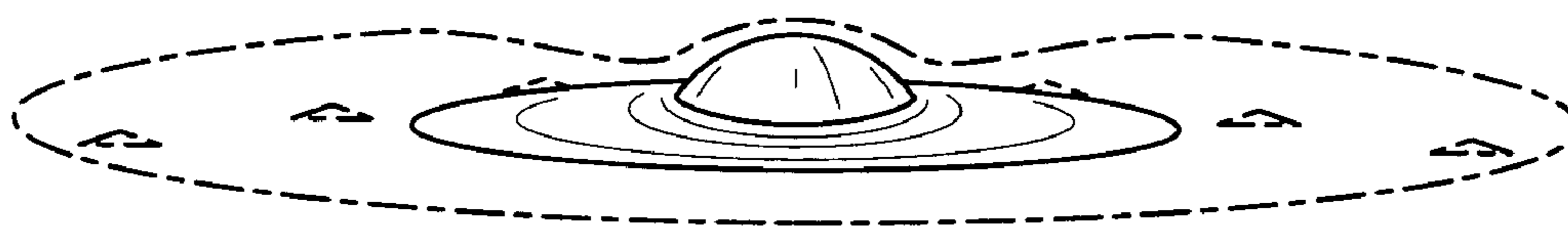


FIG. 7

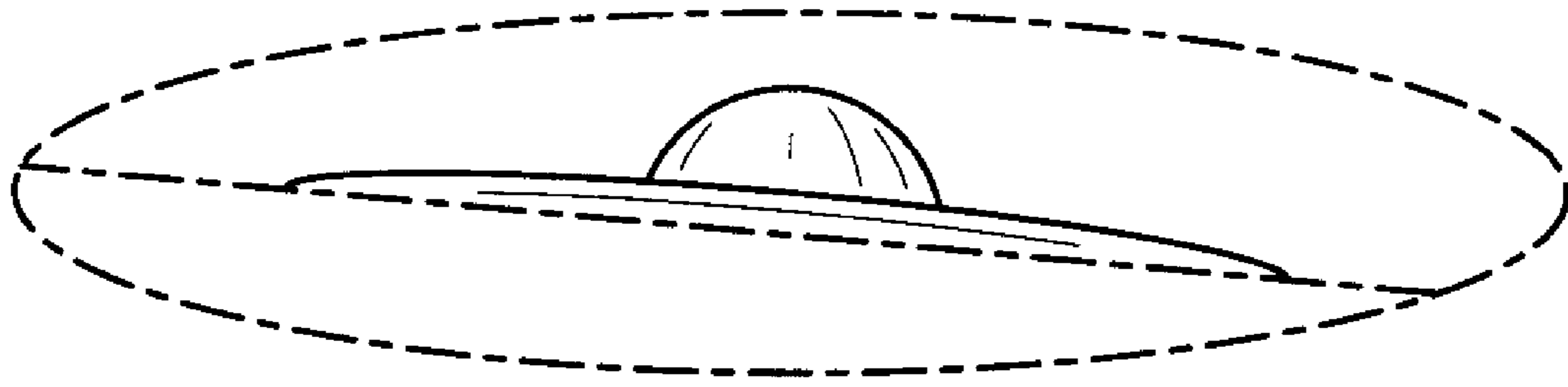


FIG. 8

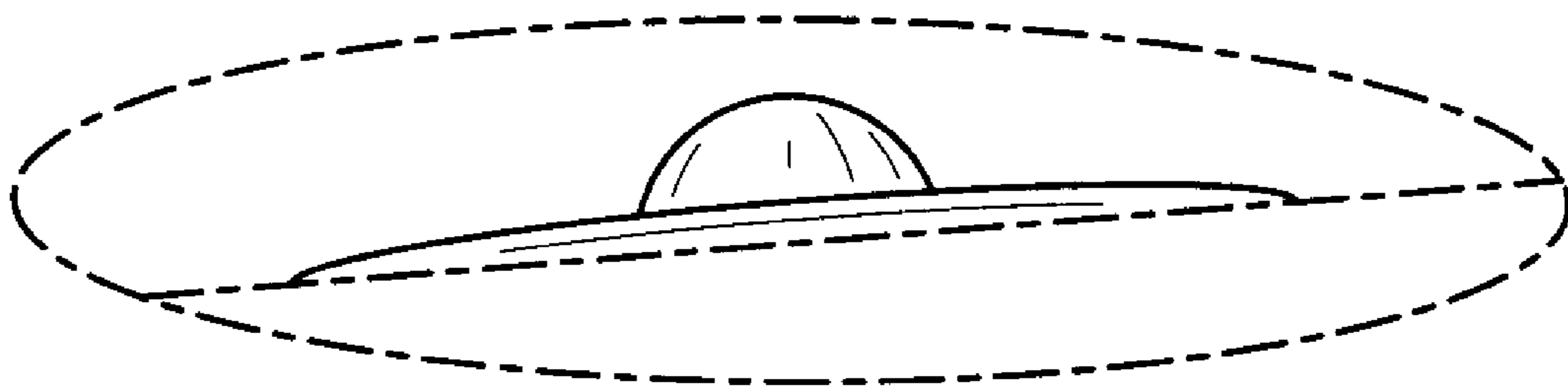


FIG. 9

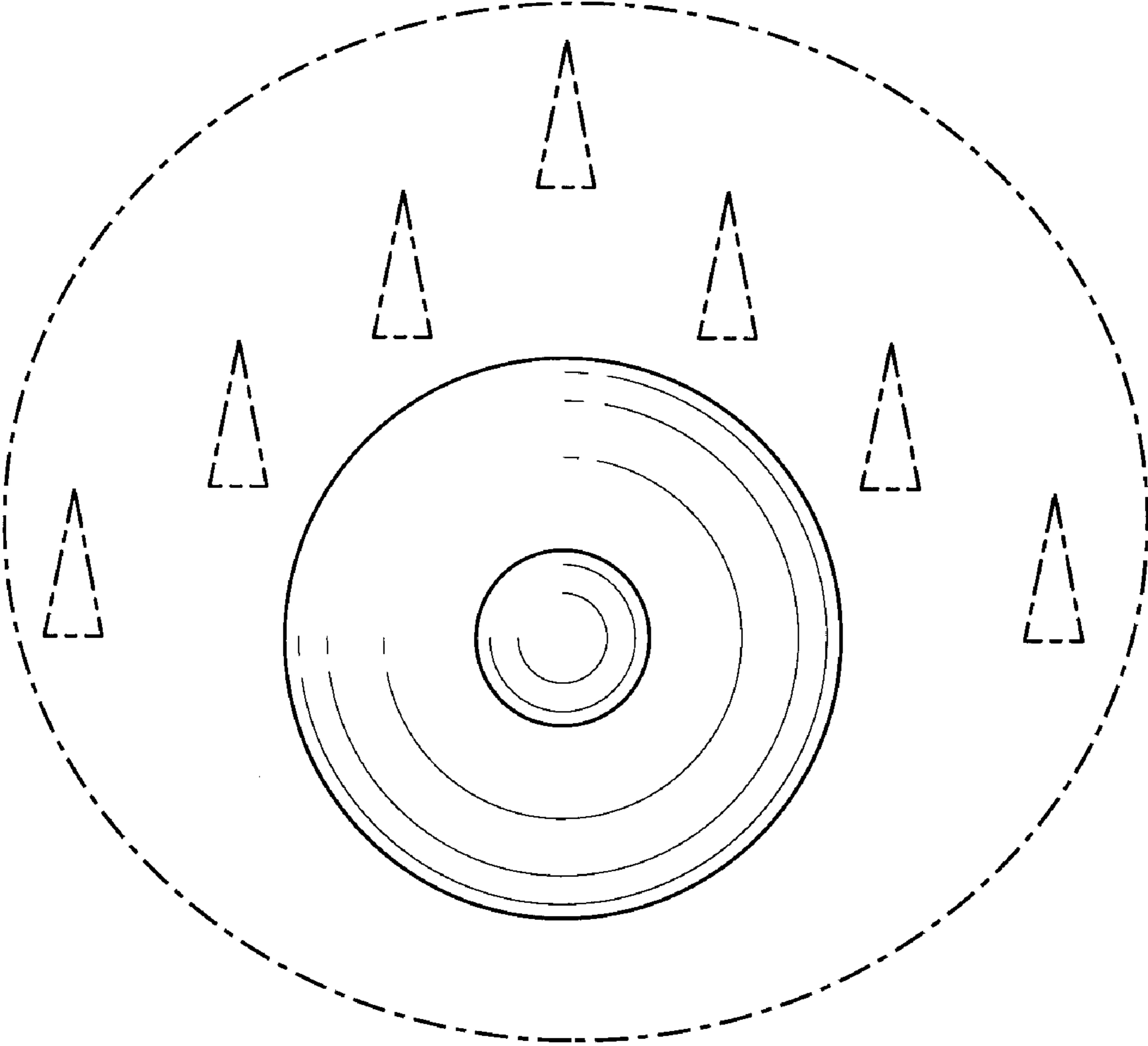


FIG. 10