



US00D577723S

(12) **United States Design Patent**  
**Wang et al.**

(10) **Patent No.:** **US D577,723 S**  
(45) **Date of Patent:** **\*\* Sep. 30, 2008**

(54) **SINGLE HANDED U-SHAPED HANDLE FOR COMPUTER CONTROLLER**

*Primary Examiner*—Freda S Nunn

(75) Inventors: **Qiang Wang**, Houston, TX (US);  
**Everett R. Salinas**, Houston, TX (US);  
**Mark Peterson**, Houston, TX (US)

(57) **CLAIM**

We claim the ornamental design for a single handed u-shaped handle for computer controller, substantially as shown and described.

(73) Assignee: **Hewlett-Packard Development Company, L.P.**, Houston, TX (US)

**DESCRIPTION**

(\*\*) Term: **14 Years**

FIG. 1 is a perspective view of a single handed u-shaped handle for computer controller with the handle, which is movable in a closed or “latched” position;

(21) Appl. No.: **29/262,396**

FIG. 2 is a perspective view thereof, with the handle, which is movable, in an open or “unlatched” position;

(22) Filed: **Jun. 30, 2006**

FIG. 3 is a front view thereof, with the handle in a closed position;

(51) **LOC (8) Cl.** ..... **14-02**

(52) **U.S. Cl.** ..... **D14/396**

(58) **Field of Classification Search** ..... D14/441–446,  
D14/432, 367, 483; D8/330, 336; D13/182;  
361/681–686; 439/377; 385/88

FIG. 4 is a front view thereof, with the handle in an open position;

See application file for complete search history.

FIG. 5 is a top view thereof, with the handle in a closed position;

(56) **References Cited**

**U.S. PATENT DOCUMENTS**

- D308,052 S \* 5/1990 Darden et al. .... D14/367
- 4,941,841 A \* 7/1990 Darden et al. .... 361/685
- D332,256 S \* 1/1993 Lewis ..... D14/367
- D348,259 S \* 6/1994 Bates et al. .... D14/367
- D444,471 S \* 7/2001 Koken et al. .... D14/432
- D475,061 S \* 5/2003 Huang ..... D14/483
- D484,509 S \* 12/2003 Frank et al. .... D14/441
- 2004/0017650 A1\* 1/2004 Liu et al. .... 361/685
- 2005/0018976 A1\* 1/2005 Lee et al. .... 385/88
- 2005/0122676 A1\* 6/2005 Clark et al. .... 361/686
- 2005/0157461 A1\* 7/2005 Cauthron ..... 361/683

FIG. 6 is a top view thereof, with the handle in an open position;

FIG. 7 is a right side view thereof, with the handle in a closed position, the left side being a mirror image; and,

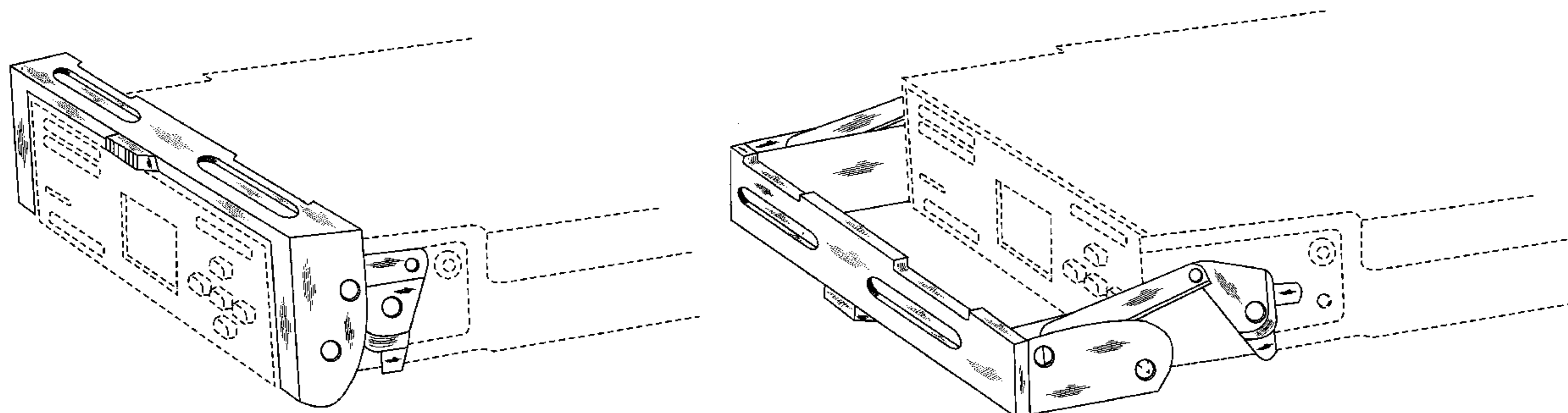
FIG. 8 is a left side view thereof, with the handle in an open position, the left side being a mirror image.

The broken lines are for purposes of illustration only and form no part of the claimed design. The handle includes a plain and unornamented bottom and back which are not shown.

The handle is movable with respect to the front bezel and is shown in closed, “latched” position in drawings 1, 3, 5, and 7, and in the open “unlatched” positions in the drawings 2, 4, 6, and 8.

\* cited by examiner

**1 Claim, 8 Drawing Sheets**



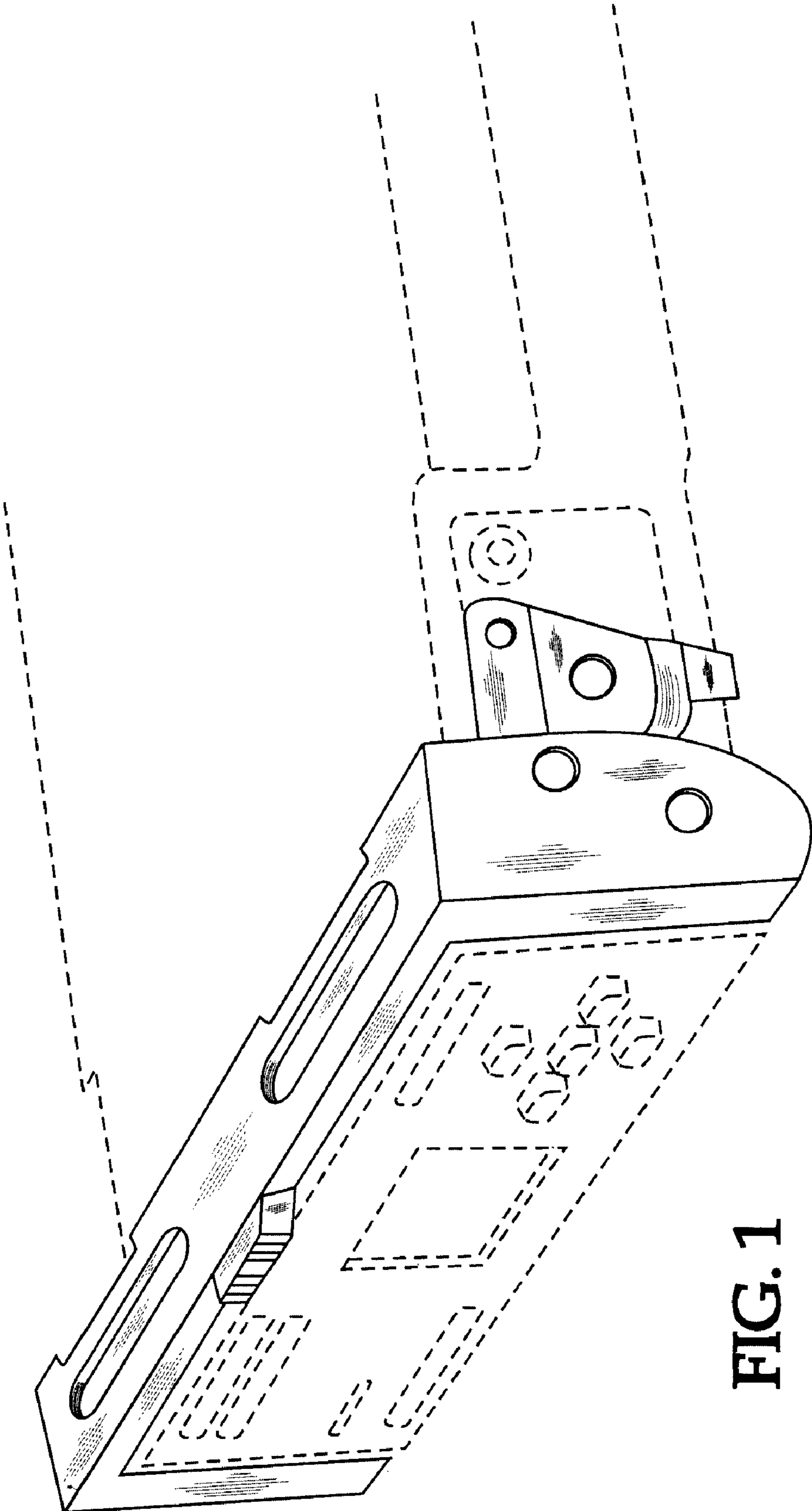


FIG. 1

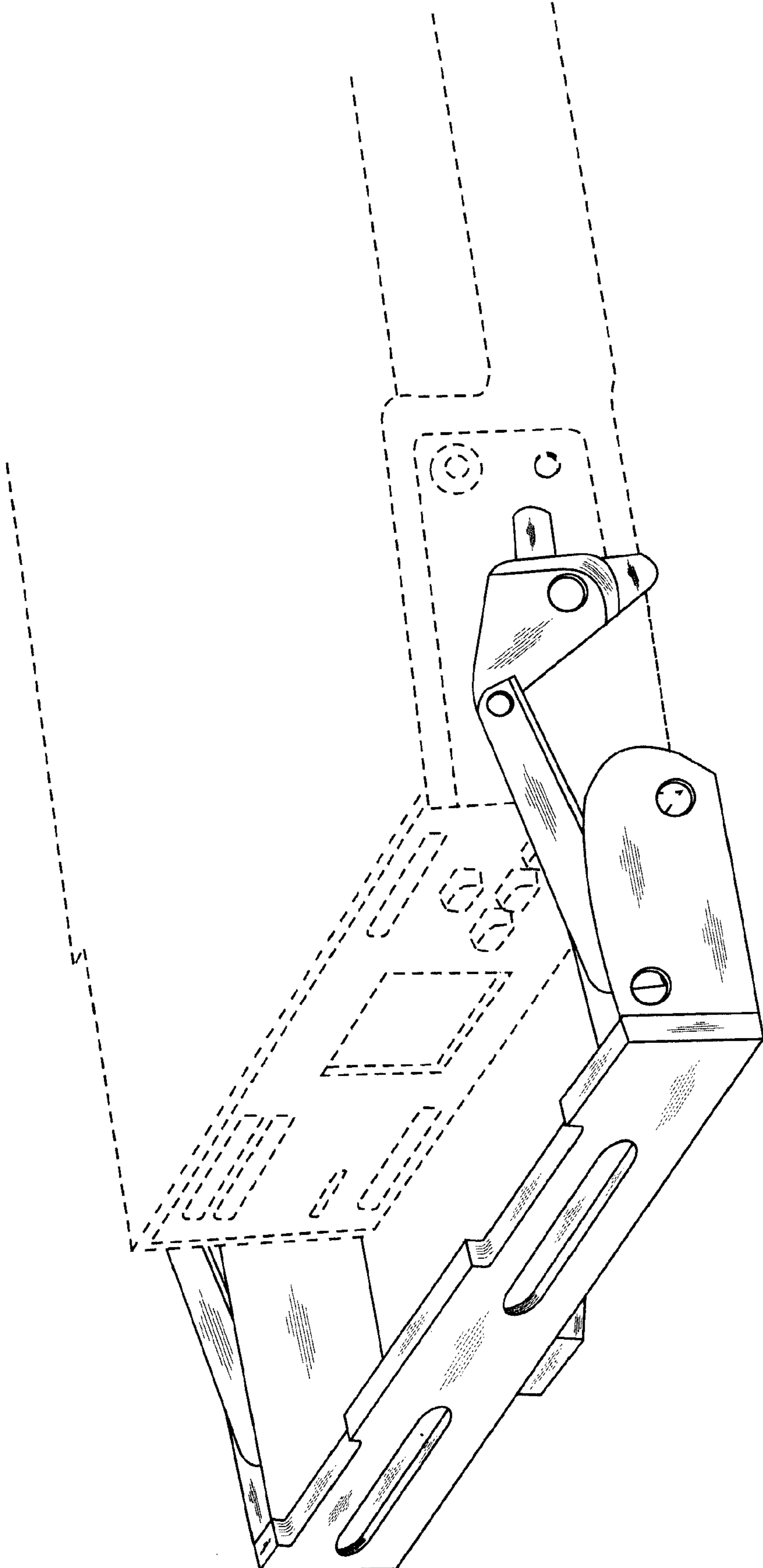


FIG. 2

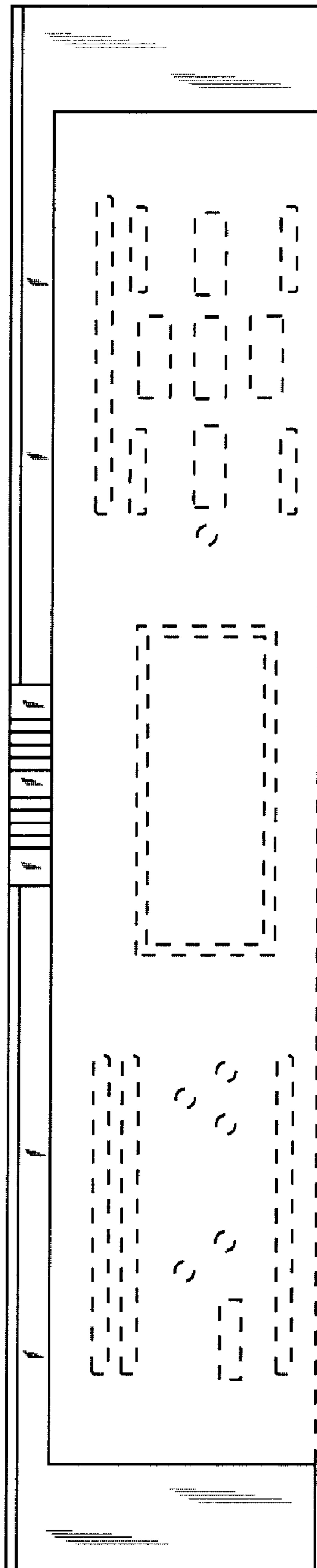


FIG. 3

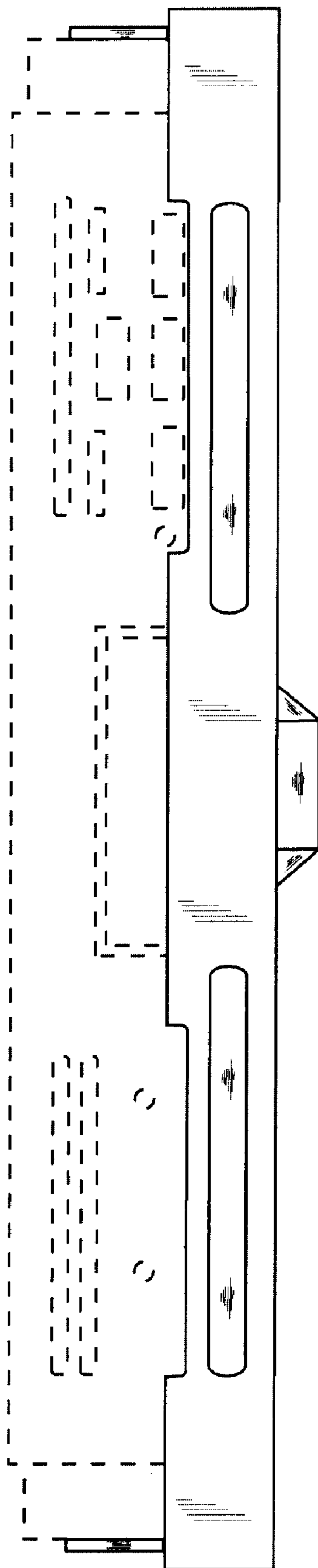


FIG. 4

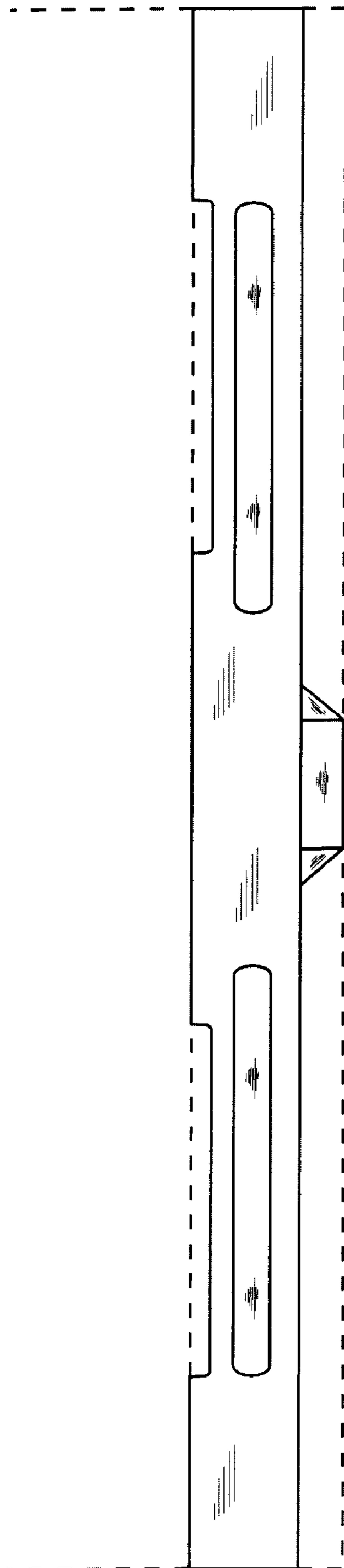


FIG. 5

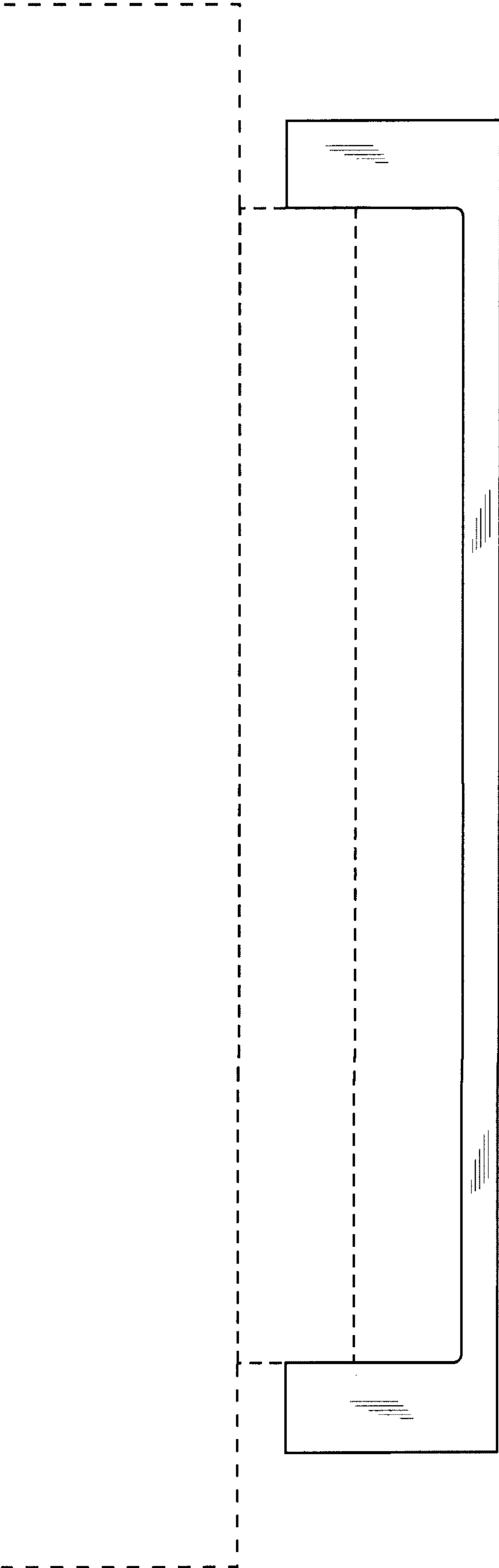


FIG. 6

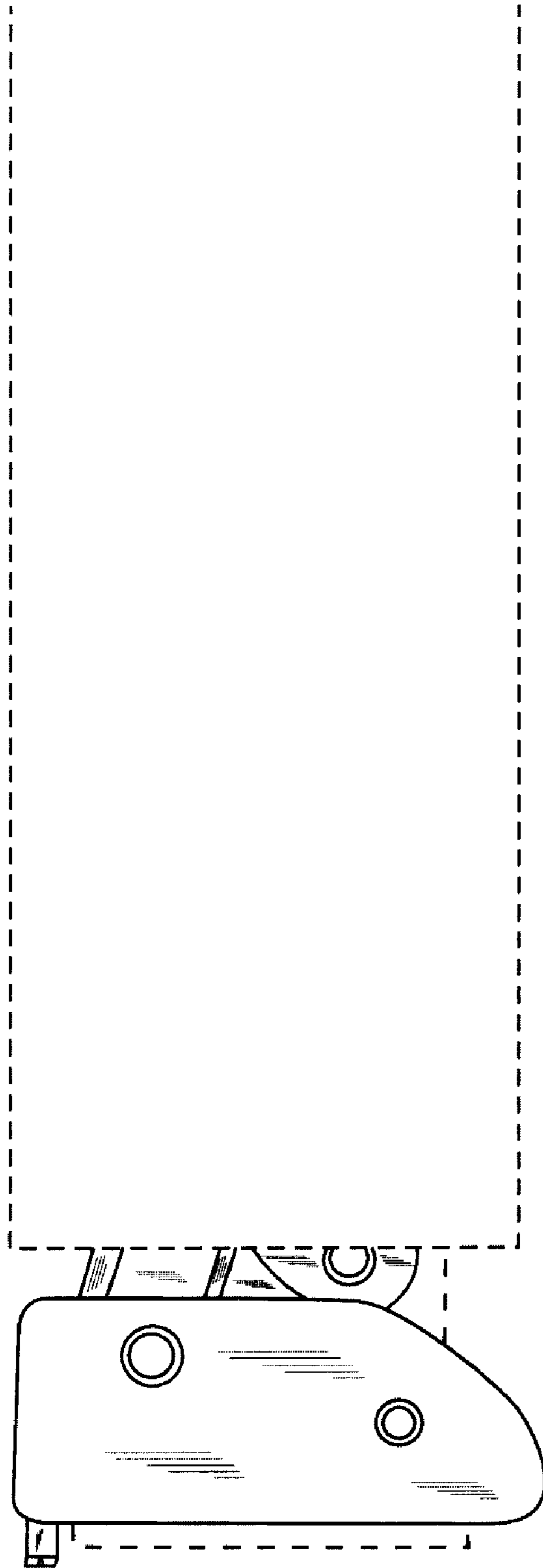


FIG. 7



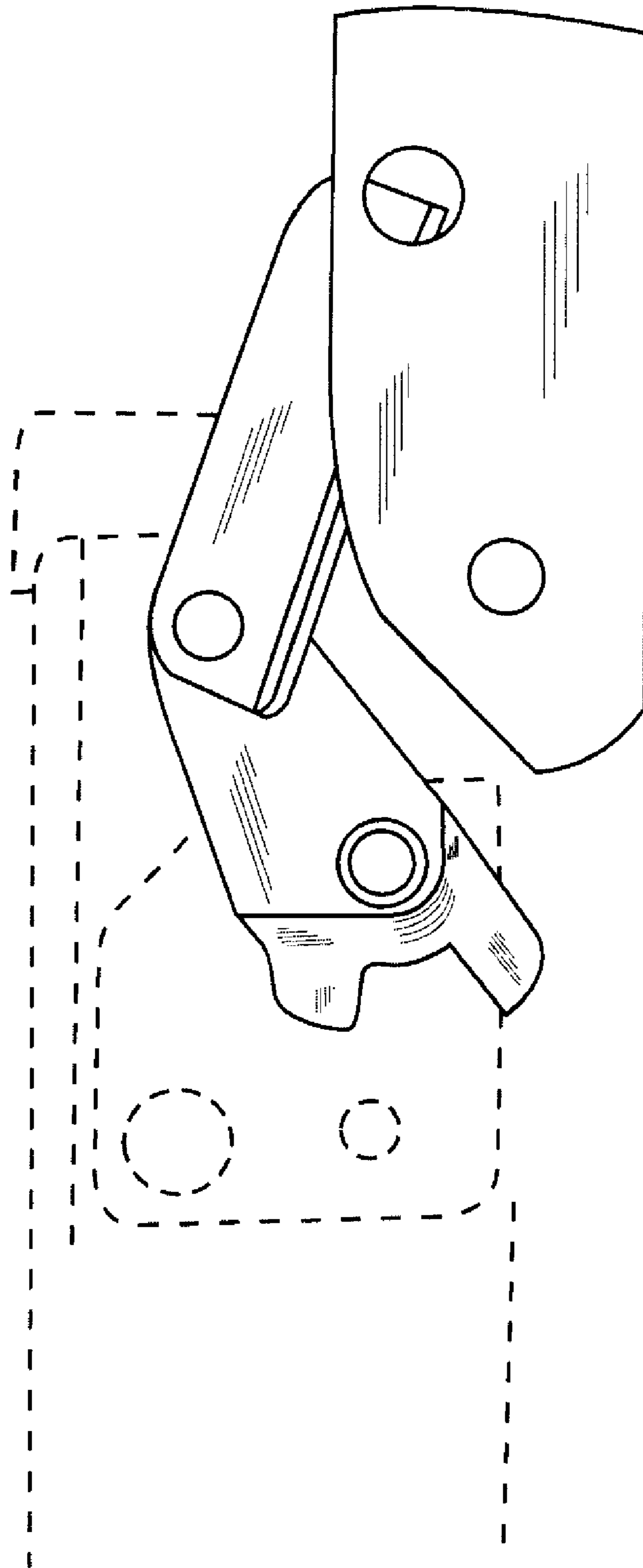


FIG. 8